



US00D652822S

(12) **United States Design Patent**
Lee et al.

(10) **Patent No.:** **US D652,822 S**
(45) **Date of Patent:** **** Jan. 24, 2012**

- (54) **IN-EAR AUDIO DEVICE**
- (75) Inventors: **Noel Lee**, Las Vegas, NV (US);
Kendrew Lee, Tsing Yi (HK)
- (73) Assignee: **Monster Cable Products, Inc.**,
Brisbane, CA (US)
- (**) Term: **14 Years**
- (21) Appl. No.: **29/382,648**
- (22) Filed: **Jan. 5, 2011**
- (51) **LOC (9) Cl.** **14-01**
- (52) **U.S. Cl.** **D14/223**
- (58) **Field of Classification Search** D14/205,
D14/206, 223; D24/174; 181/129, 130,
181/135; 379/430, 431, 433.02; 128/864;
381/380, 381, 338; 455/90.3, 575.2
See application file for complete search history.

- D597,084 S * 7/2009 Gondo D14/223
- D626,117 S * 10/2010 Lowry D14/223
- D637,998 S * 5/2011 Brunner et al. D14/205
- D637,999 S * 5/2011 Brunner et al. D14/205
- D641,010 S * 7/2011 Kwon D14/223
- D643,416 S * 8/2011 Chong et al. D14/223
- D643,417 S * 8/2011 Lee et al. D14/223

* cited by examiner

Primary Examiner — Paula Greene
(74) *Attorney, Agent, or Firm* — DLA Piper LLP (US)

(57) **CLAIM**
We claim the ornamental design for an in-ear audio device, as shown and described.

DESCRIPTION

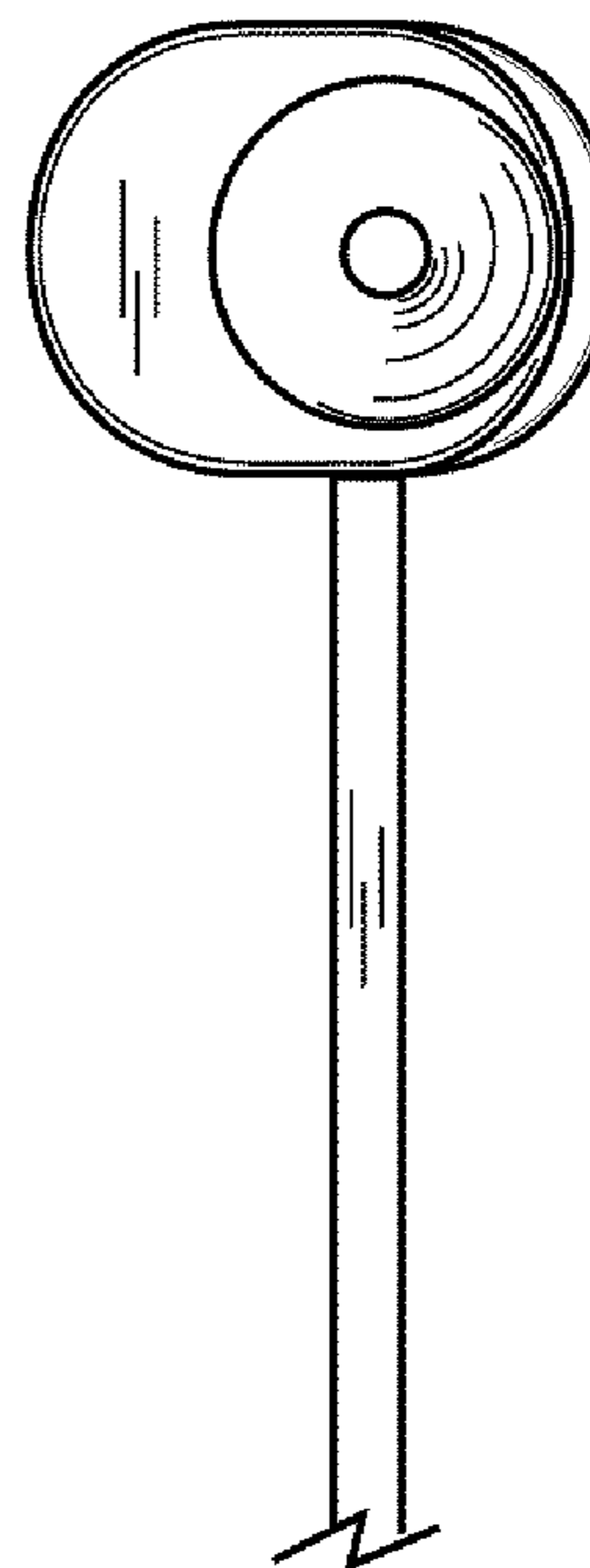
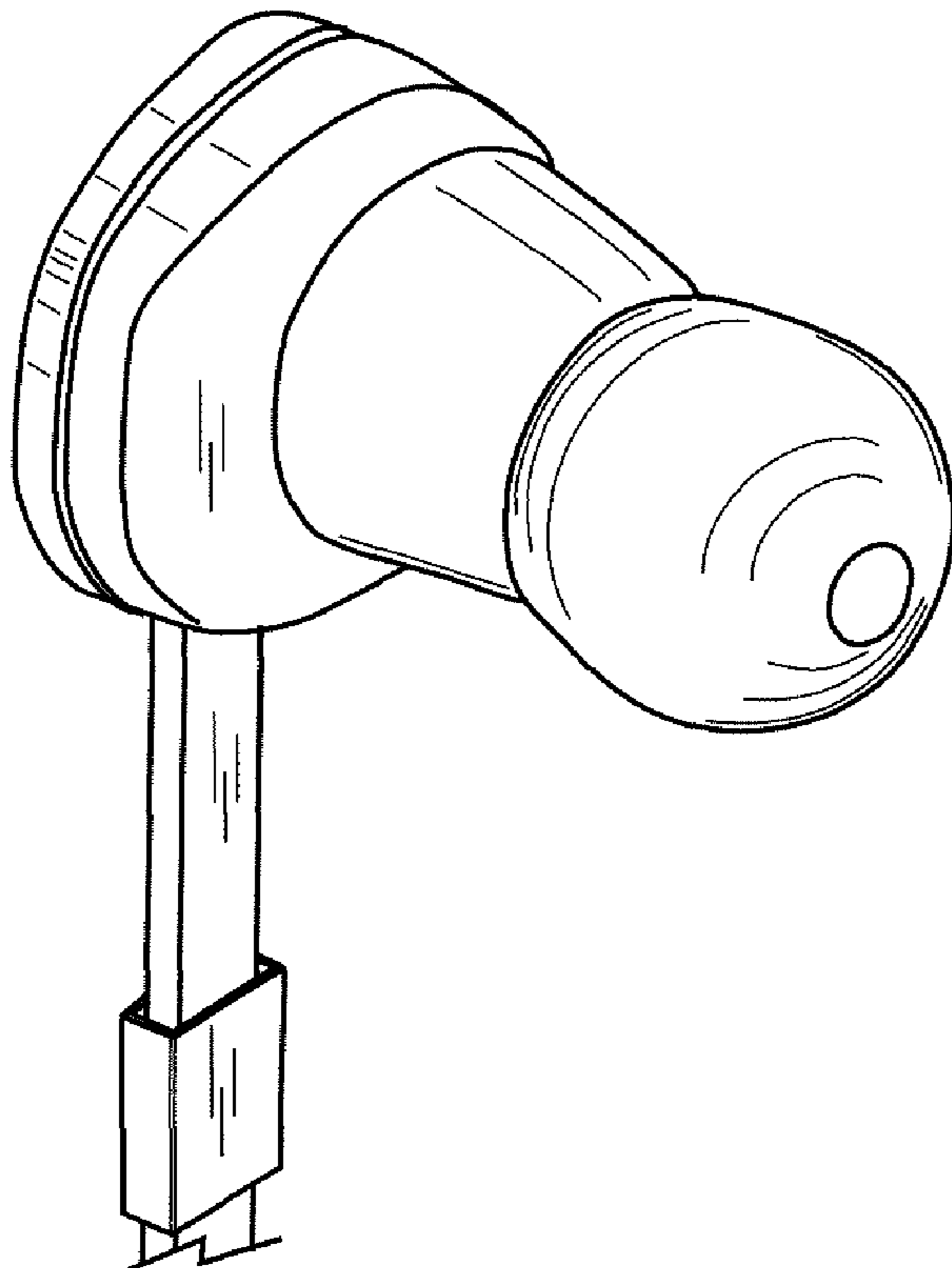
FIG. 1A is a perspective left side view of an in-ear audio device showing our new design, the cord is drawn broken away for indeterminate length;
FIG. 1B is a perspective right side view of the in-ear audio device;
FIG. 2 is a top view of the in-ear audio device;
FIG. 3 is a bottom view of the in-ear audio device;
FIG. 4 is a back view of the in-ear audio device;
FIG. 5 is a front view of the in-ear audio device;
FIG. 6 is left side view of the in-ear audio device; and,
FIG. 7 is a right side view of the in-ear audio device.

1 Claim, 2 Drawing Sheets

(56) **References Cited**

U.S. PATENT DOCUMENTS

- 2,248,837 A * 7/1941 Walters 381/380
- 2,430,229 A * 11/1947 Kelsey 381/338
- 5,410,608 A * 4/1995 Lucey et al. 381/360
- D550,657 S * 9/2007 Gan et al. D14/223
- D567,217 S * 4/2008 Kamo et al. D14/205
- D589,493 S * 3/2009 Densho D14/206



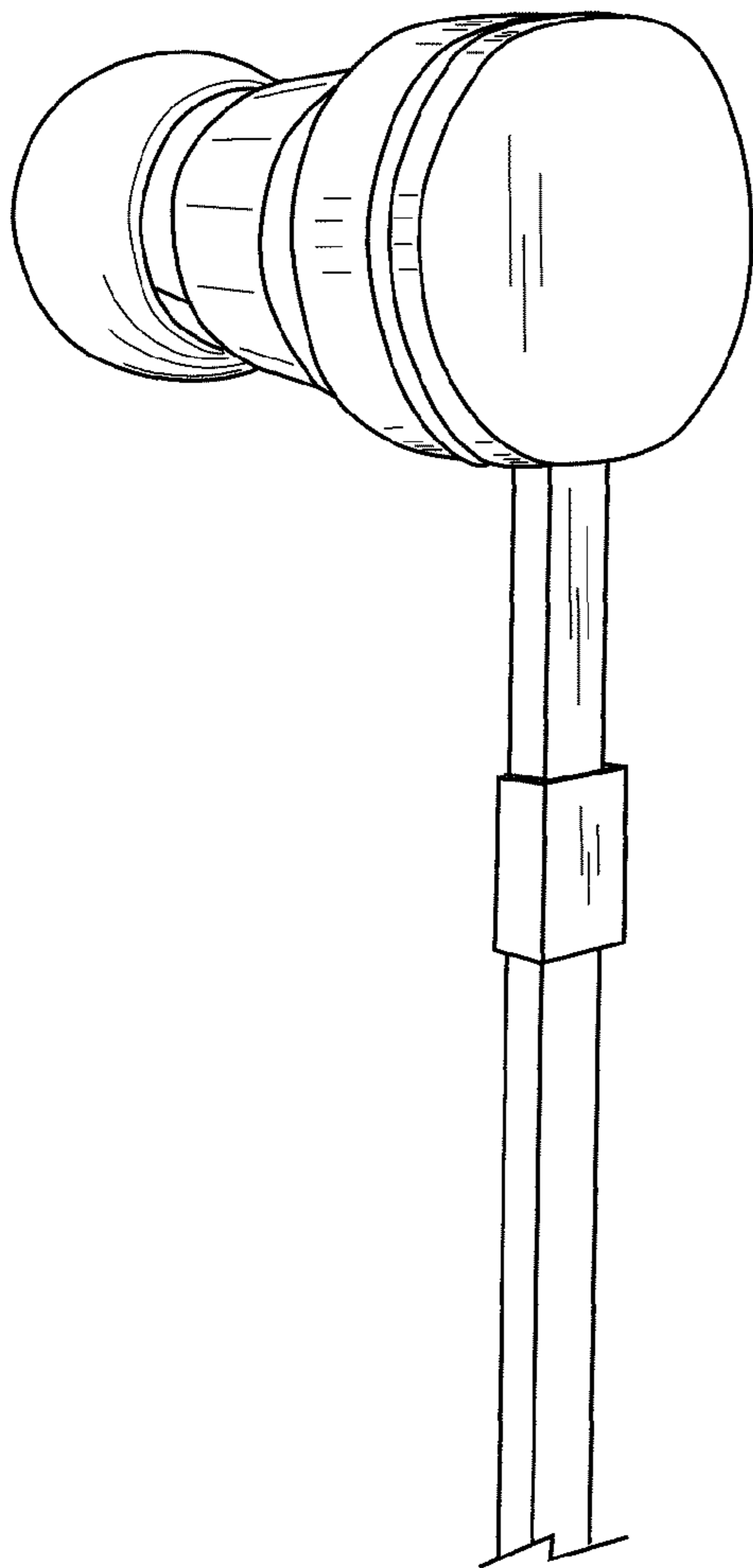


FIG. 1A

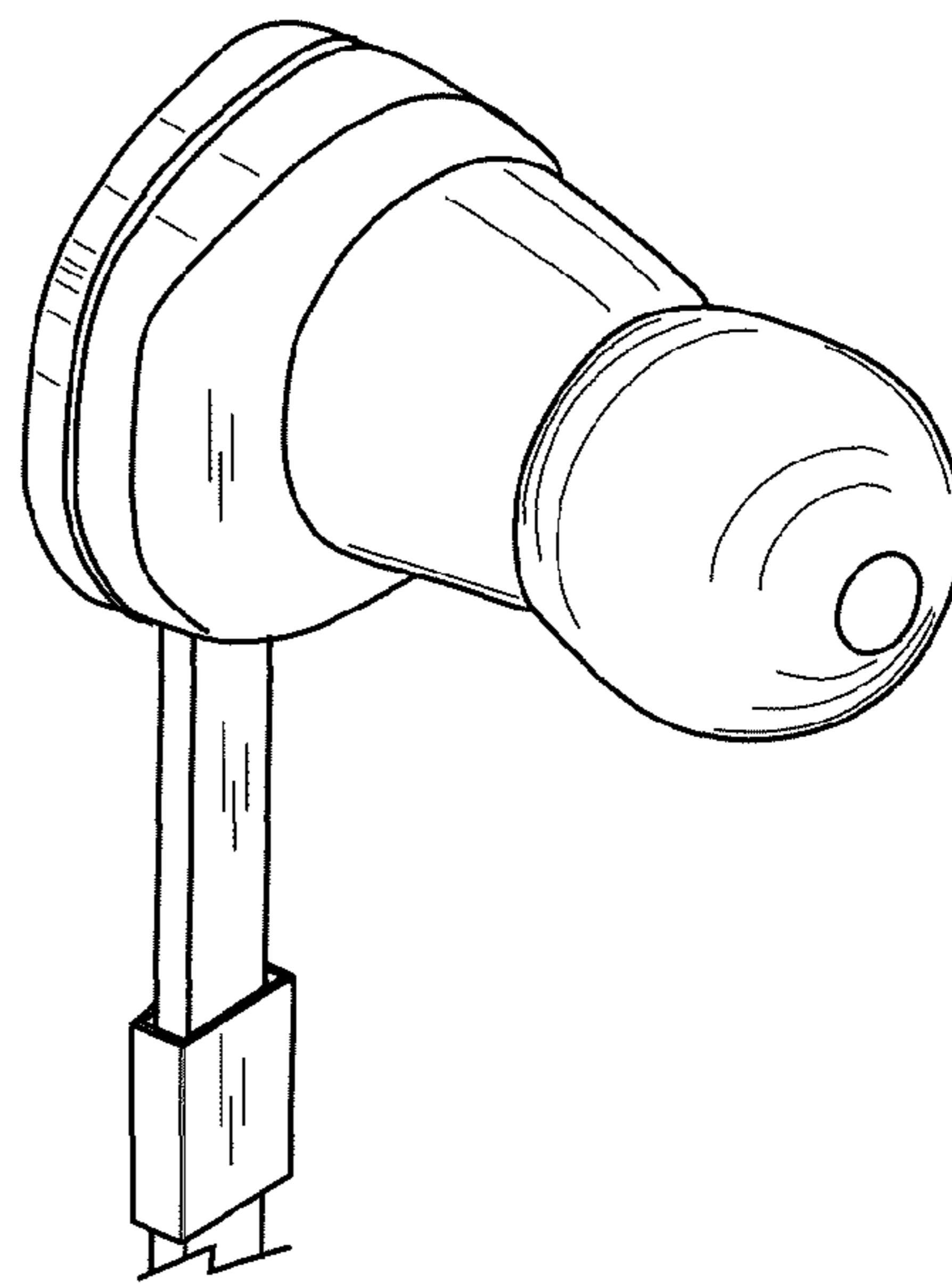


FIG. 1B

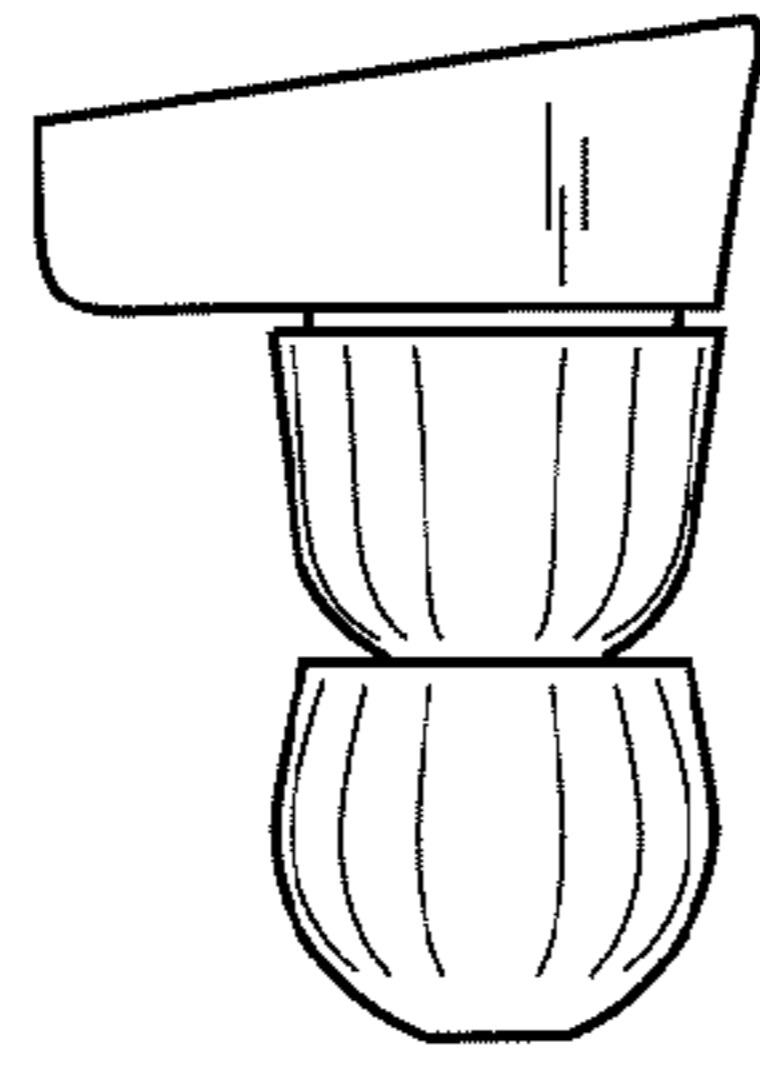


FIG. 2

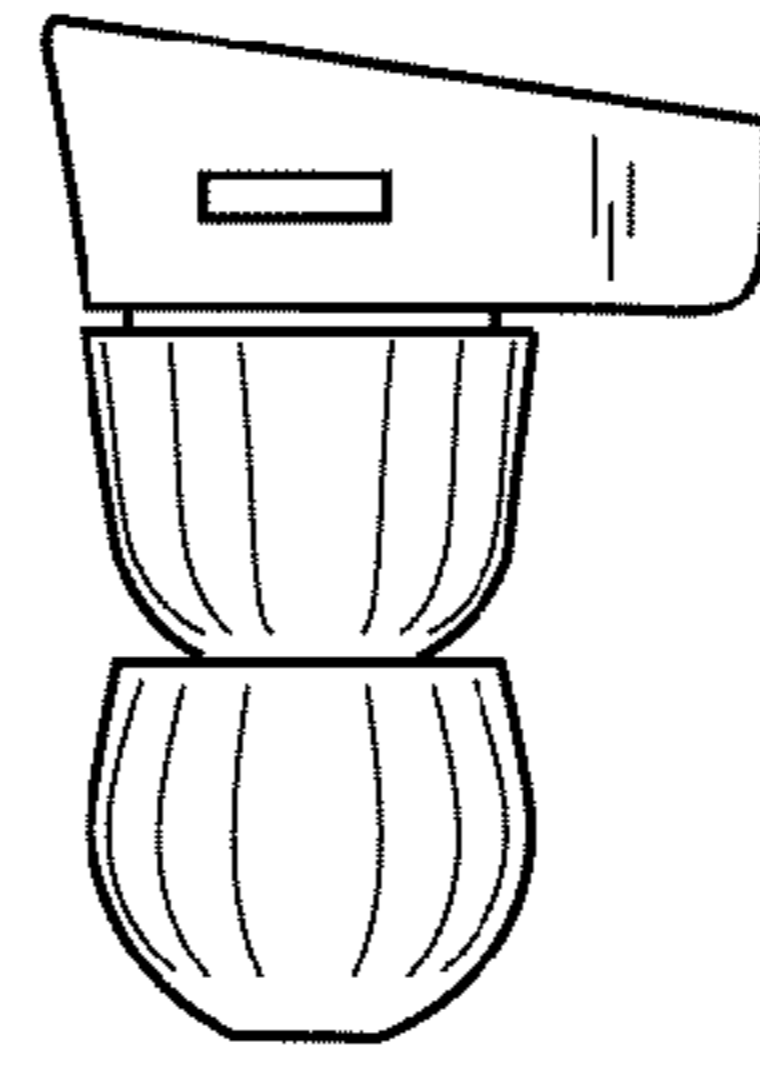


FIG. 3

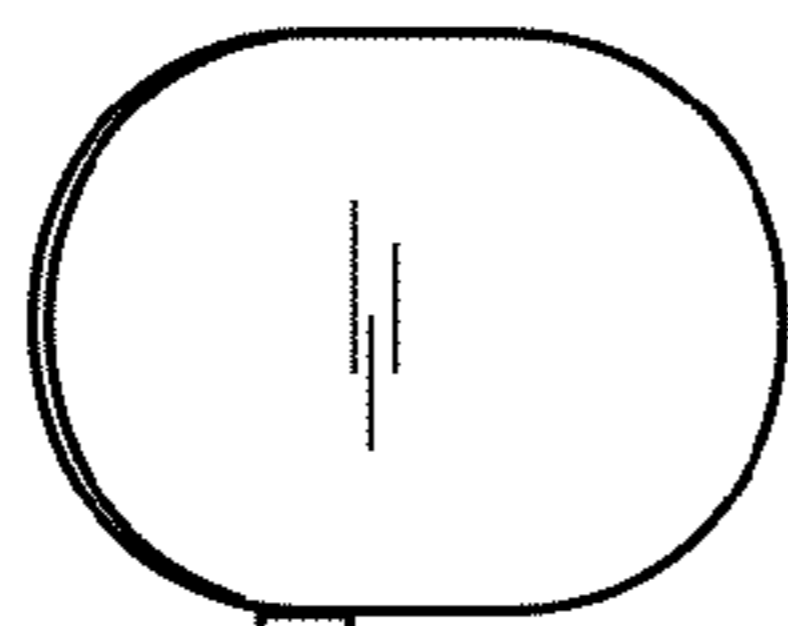


FIG. 4

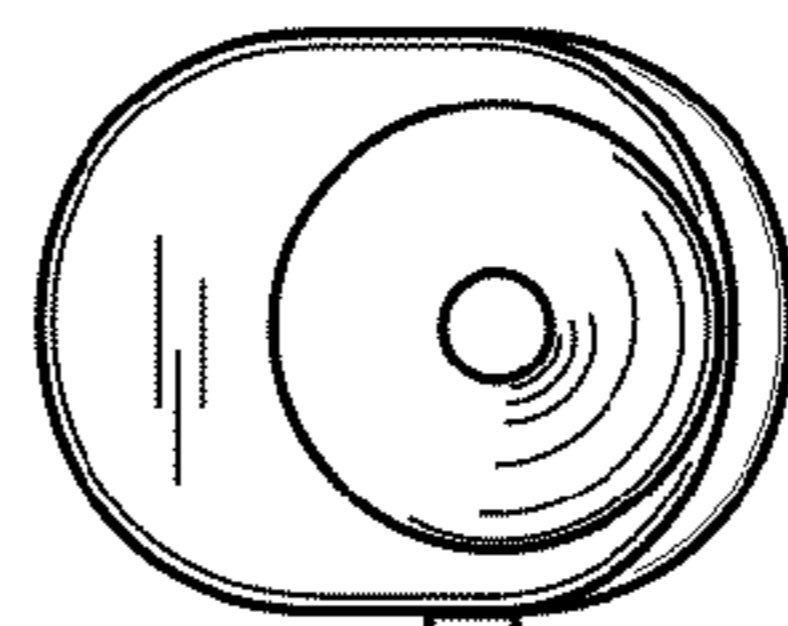


FIG. 5

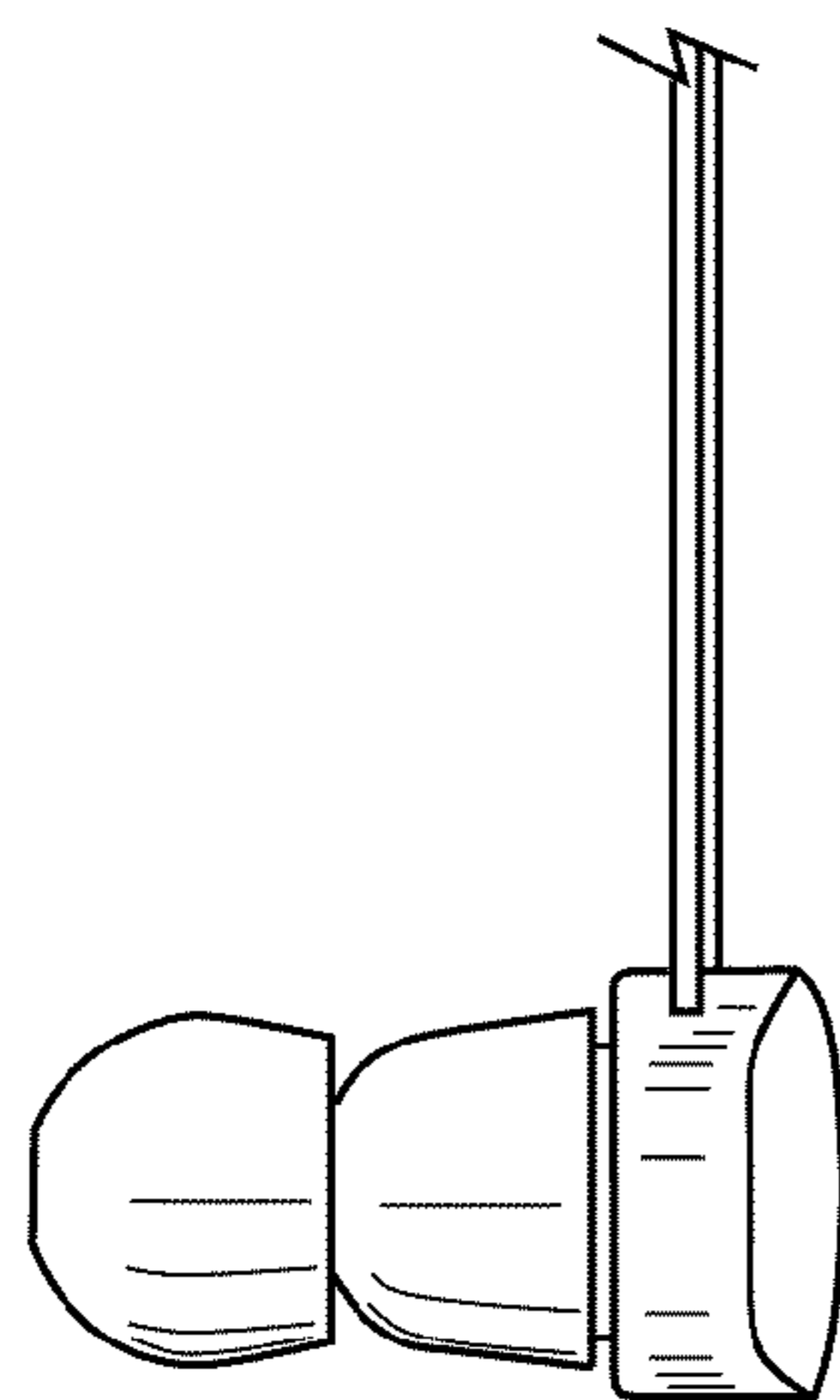


FIG. 6

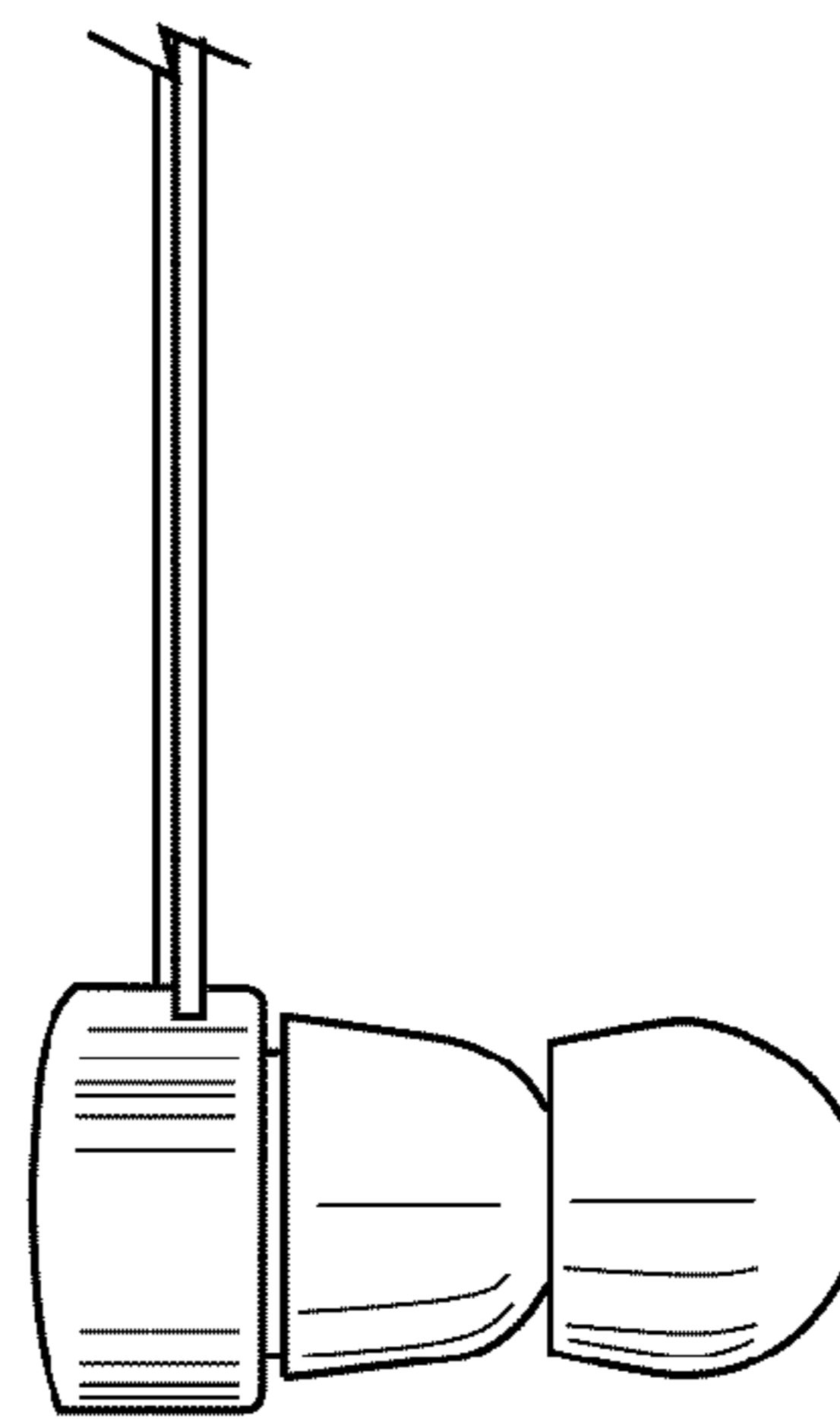


FIG. 7