



US00D652819S

(12) **United States Design Patent**
Behar

(10) **Patent No.:** **US D652,819 S**
(45) **Date of Patent:** **** Jan. 24, 2012**

(54) **REMOTE CONTROL**

(75) Inventor: **Yves Behar**, San Francisco, CA (US)

(73) Assignee: **Canal + Distribution**, Issy les
Moulineaux (FR)

(**) Term: **14 Years**

(21) Appl. No.: **29/369,158**

(22) Filed: **Sep. 2, 2010**

(51) **LOC (9) Cl.** **14-03**

(52) **U.S. Cl.** **D14/218**

(58) **Field of Classification Search** D14/218,
D14/455; D13/168; D21/566; D10/104,
D10/106; 345/169; 348/14.05, 114, 211.99,
348/734; 340/825.24; 341/22; 455/92, 95,
455/128, 151.1–151.4, 352, 355, FOR. 121;
700/65

See application file for complete search history.

(56) **References Cited**

U.S. PATENT DOCUMENTS

D501,200 S * 1/2005 Tsai et al. D14/218
D520,495 S * 5/2006 Dukerschein et al. D14/218

D568,298 S * 5/2008 Lundgren et al. D14/218
D614,607 S * 4/2010 Kamegi D14/218
D615,965 S * 5/2010 Yokota D14/218
D622,263 S * 8/2010 Maier et al. D14/218
D625,276 S * 10/2010 Won et al. D13/168
D628,982 S * 12/2010 Tellier D14/218

* cited by examiner

Primary Examiner — Celia A. Murphy
Assistant Examiner — John Windmuller

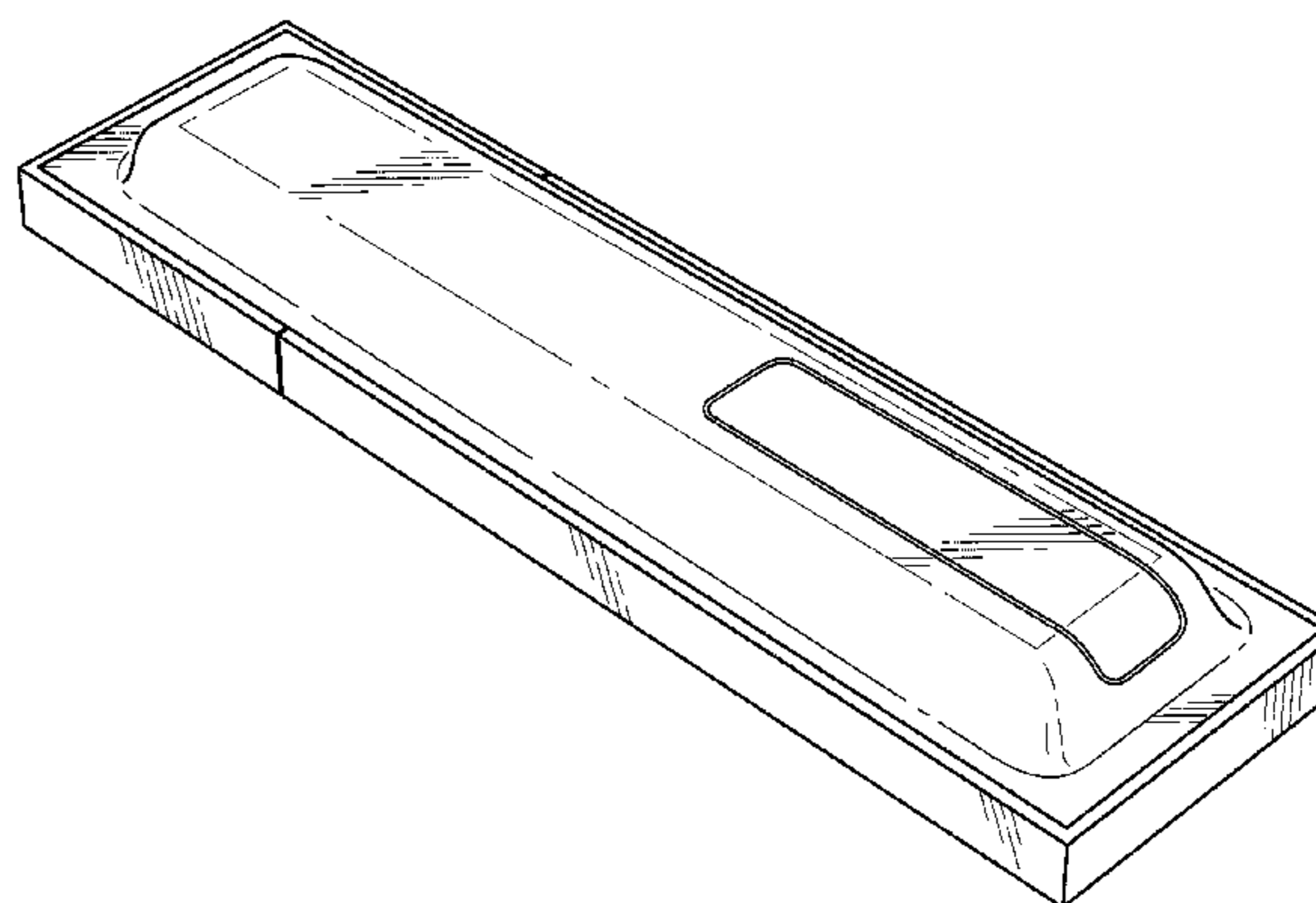
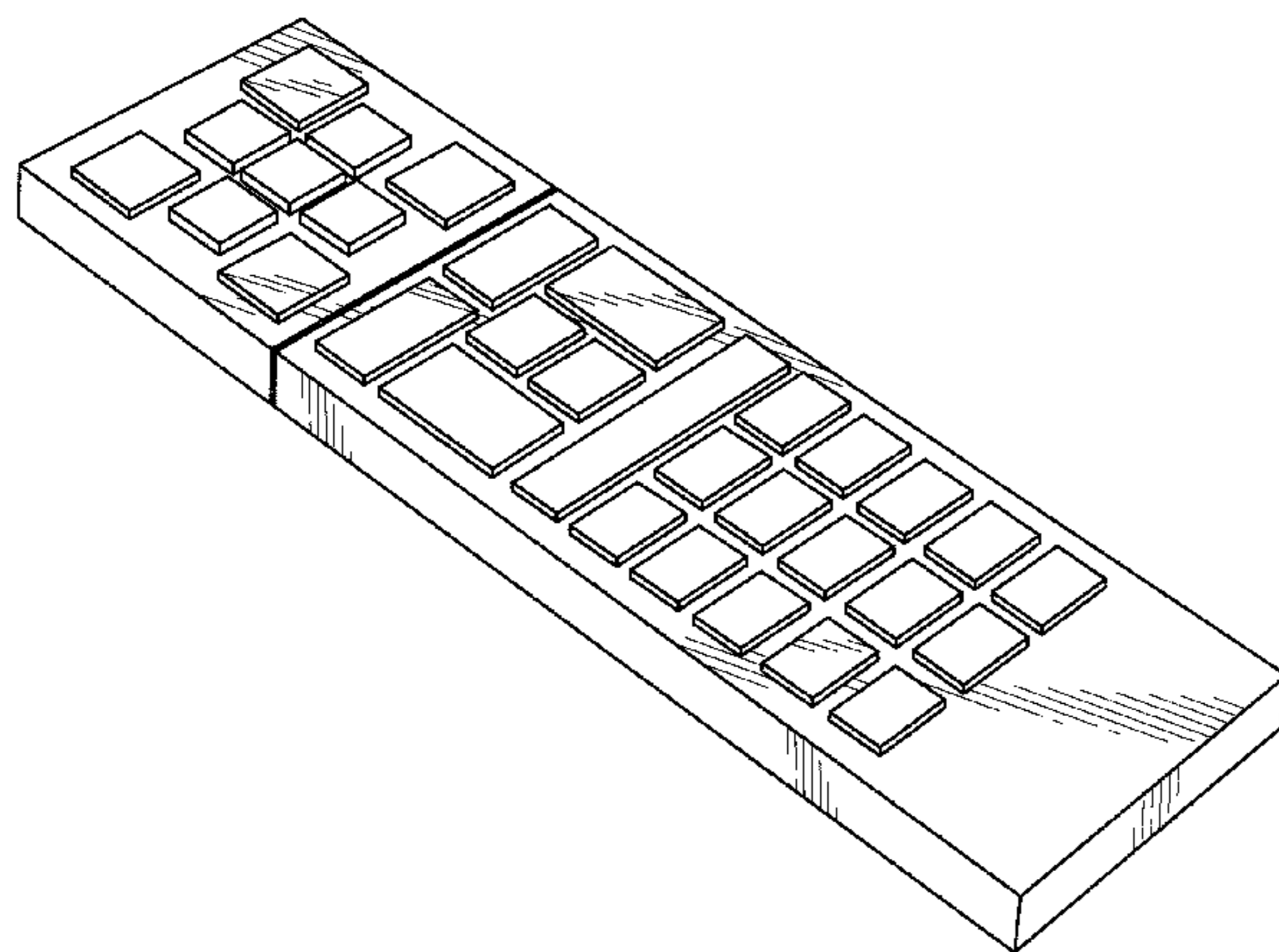
(57) **CLAIM**

The ornamental design for a remote control, as shown.

DESCRIPTION

FIG. 1 is a top perspective view of a remote control showing
my new design;
FIG. 2 is a bottom perspective view thereof;
FIG. 3 is a top view thereof;
FIG. 4 is a bottom view thereof;
FIG. 5 is a side view thereof;
FIG. 6 is an opposing side view thereof;
FIG. 7 is an end view thereof; and,
FIG. 8 is an opposing end view thereof.

1 Claim, 5 Drawing Sheets



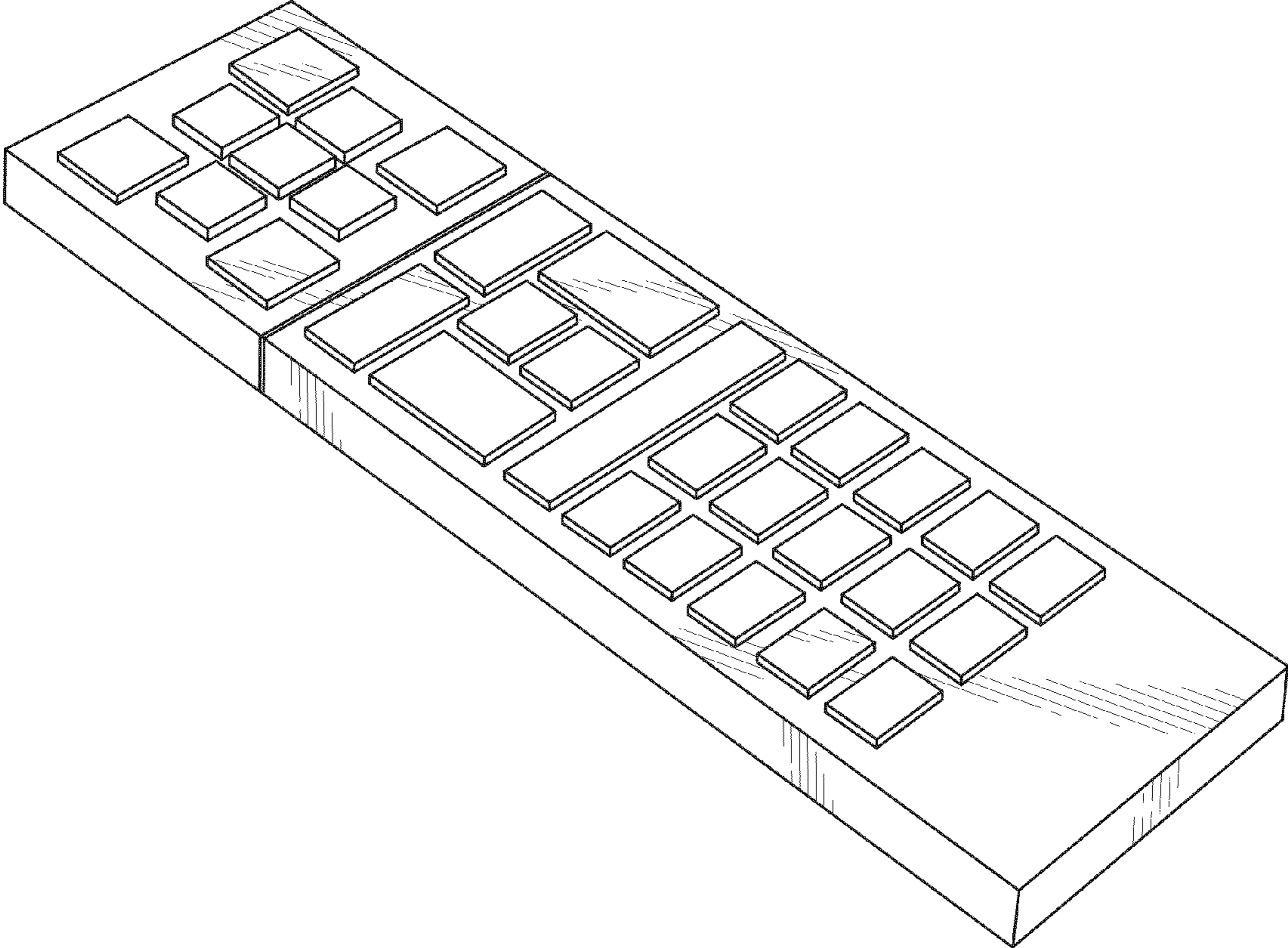


FIG. 1

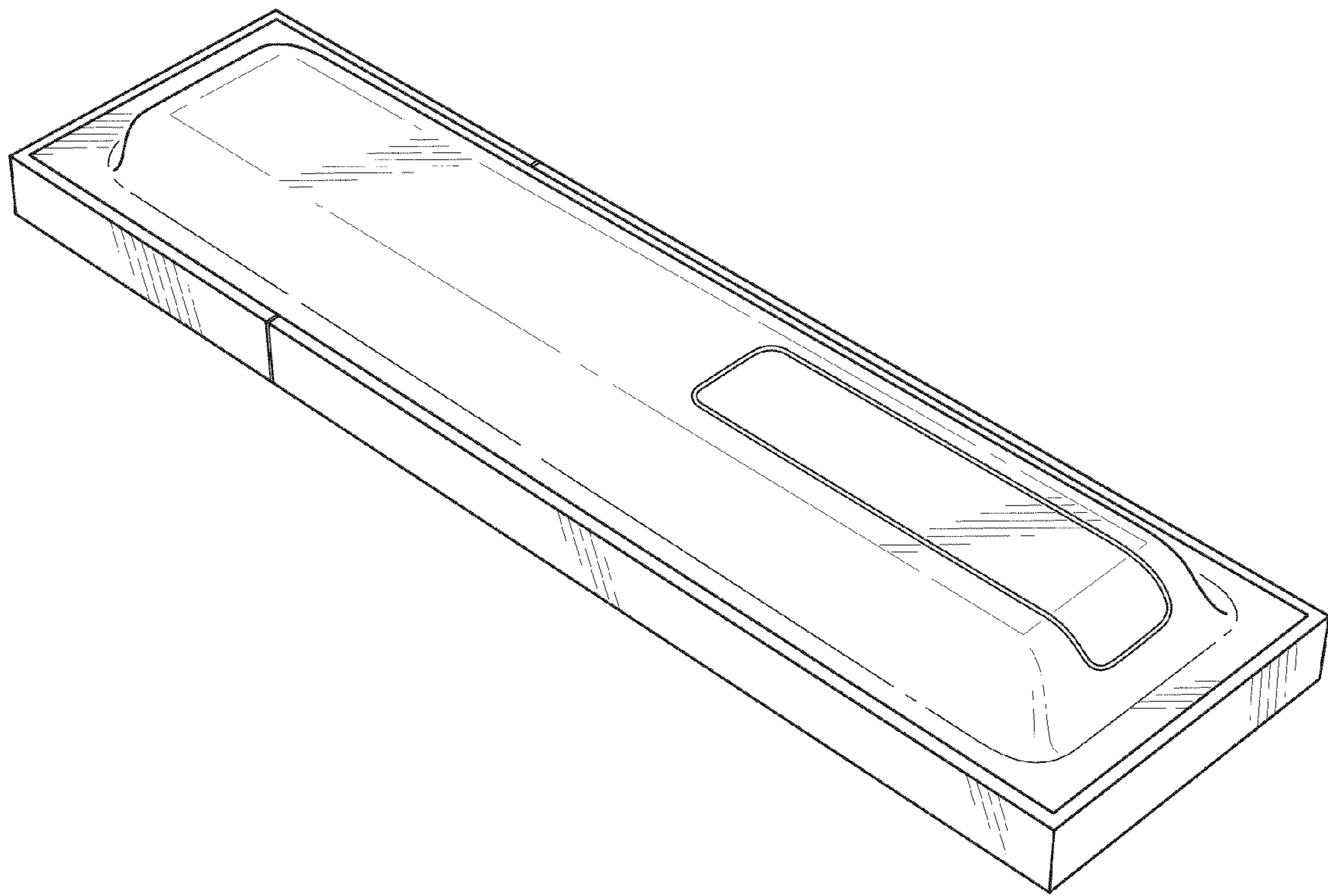


FIG. 2

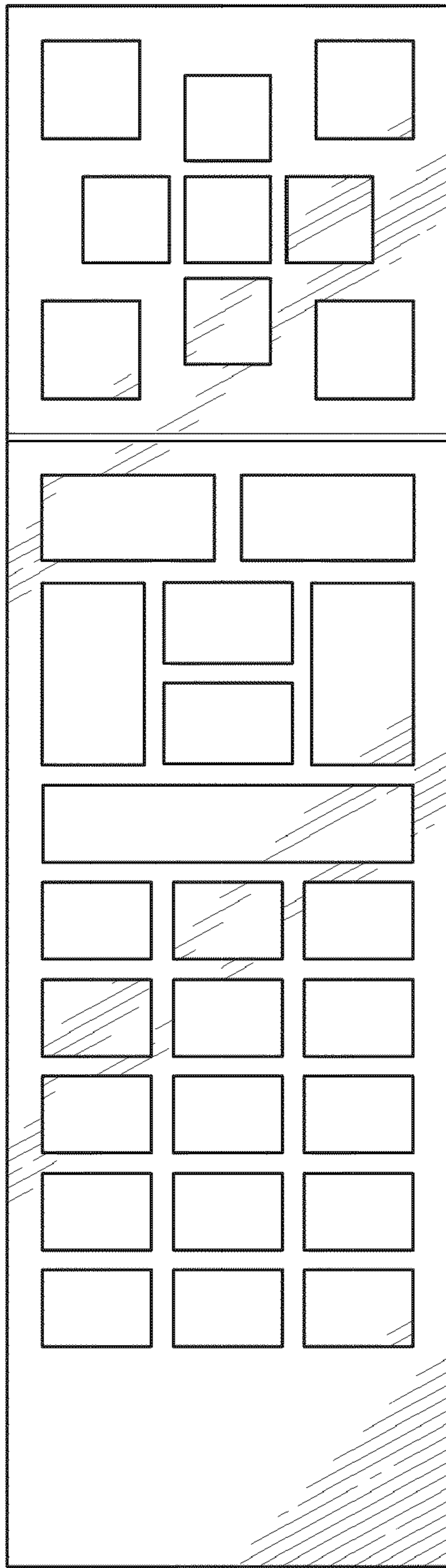


FIG. 3

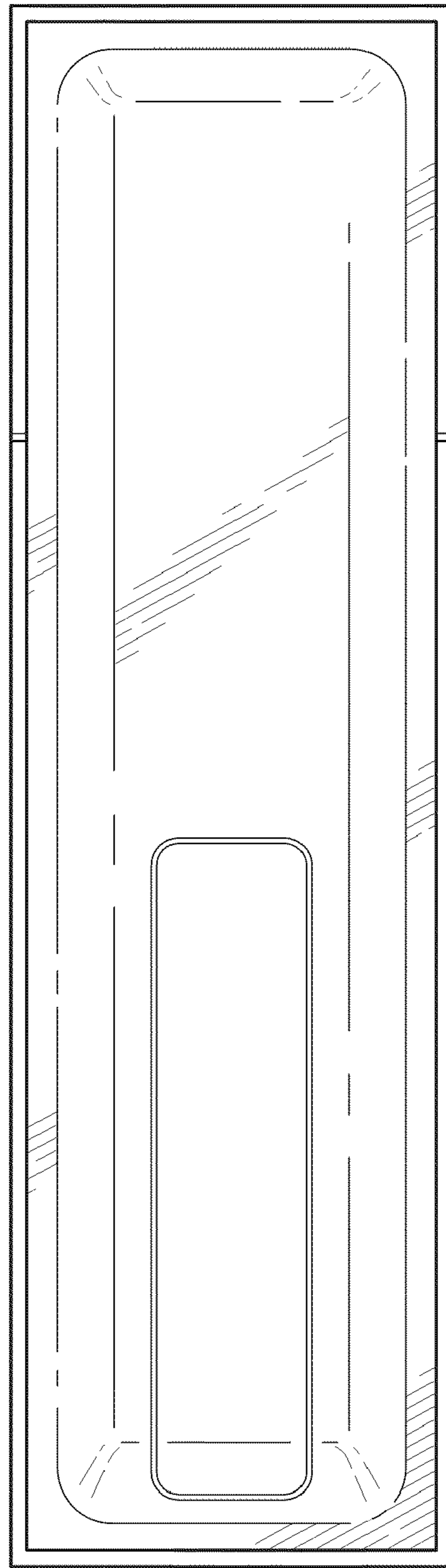


FIG. 4

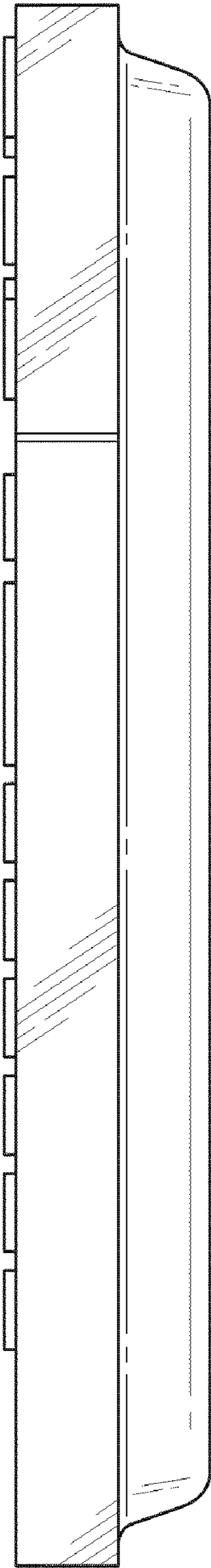


FIG. 5

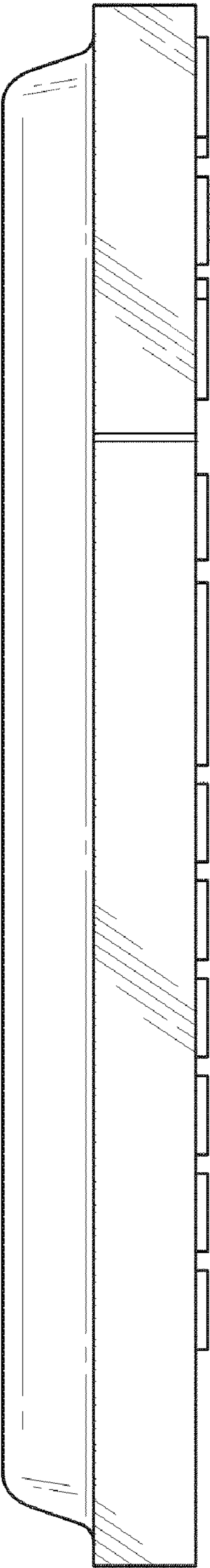


FIG. 6

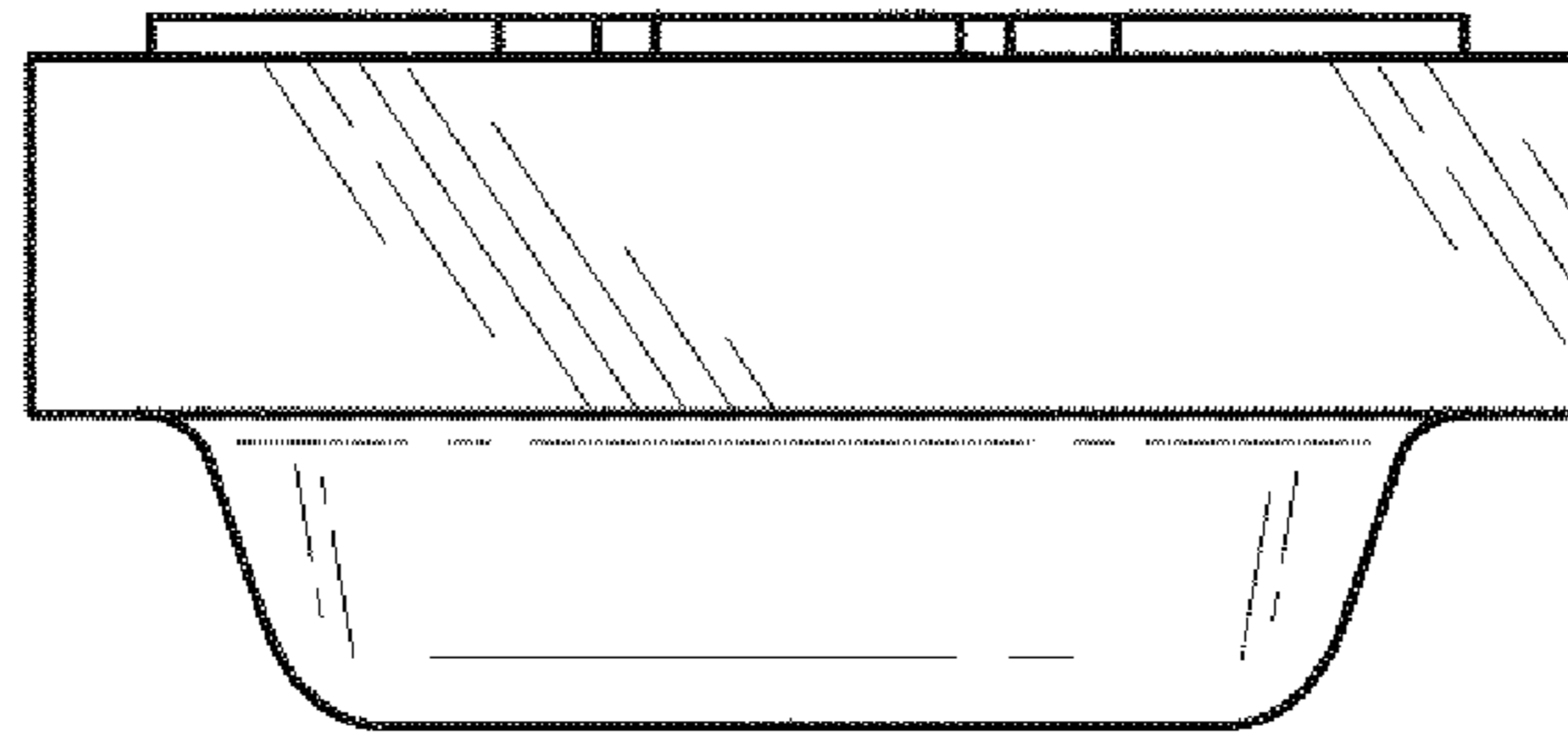


FIG. 7

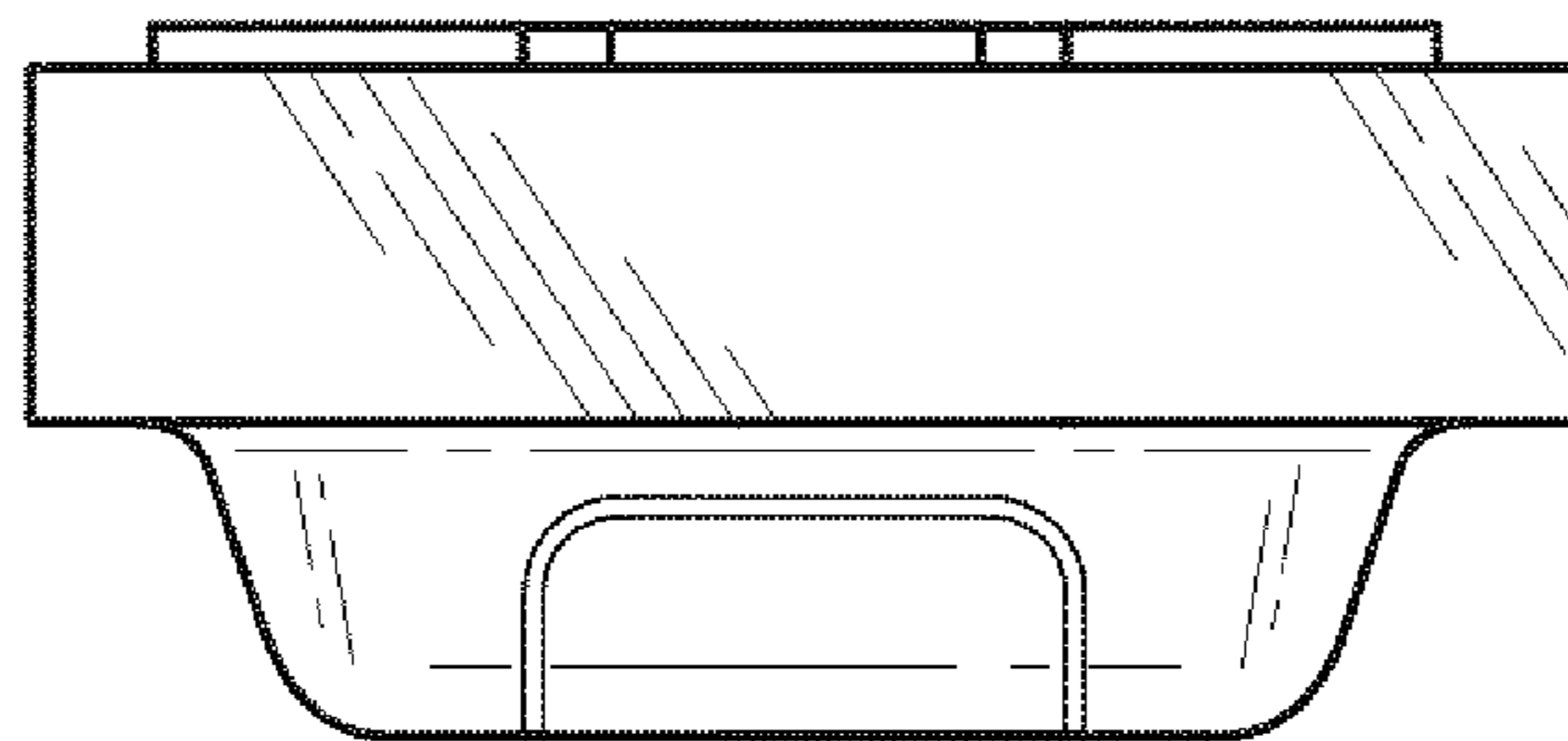


FIG. 8