



US00D652817S

(12) **United States Design Patent**  
**Lee et al.**

(10) **Patent No.:** **US D652,817 S**  
(45) **Date of Patent:** **\*\* Jan. 24, 2012**

(54) **AUDIO LISTENING SYSTEM**

(75) Inventors: **Noel Lee**, Las Vegas, NV (US); **Jacky Hsiung**, San Jose, CA (US); **Li Hoi Yee**, Hong Kong (HK); **Jolie Clemens**, Santa Ana, CA (US)

(73) Assignee: **Monster Cable Products, Inc.**, Brisbane, CA (US)

(\*\*) Term: **14 Years**

(21) Appl. No.: **29/369,166**

(22) Filed: **Sep. 2, 2010**

(51) **LOC (9) Cl.** ..... **14-01**

(52) **U.S. Cl.** ..... **D14/205**

(58) **Field of Classification Search** ..... D14/205,  
D14/206, 223, 192; 181/129, 130, 135; 381/380,  
381/381; 379/430, 431, 433.01; 455/90.3,  
455/569.1, 575.1

See application file for complete search history.

(56) **References Cited**

**U.S. PATENT DOCUMENTS**

4,646,872	A *	3/1987	Kamon et al.	.....	181/129
6,122,369	A *	9/2000	Hwang et al.	.....	379/420.04
D464,945	S *	10/2002	Bosch	.....	D14/206
6,721,579	B2 *	4/2004	Liu	.....	455/569.1
D569,841	S *	5/2008	Chung et al.	.....	D14/205
D578,507	S *	10/2008	Ando	.....	D14/205
D582,889	S *	12/2008	Bose et al.	.....	D14/205
D591,264	S *	4/2009	Hong et al.	.....	D14/205
D594,441	S	6/2009	Lee et al.		
D598,010	S *	8/2009	Matsuda et al.	.....	D14/223
D598,901	S	8/2009	Lee et al.		

D599,778	S *	9/2009	Ando	.....	D14/205
D599,779	S *	9/2009	Ando	.....	D14/205
D599,781	S	9/2009	Lee et al.		
D600,675	S	9/2009	Lee et al.		
D605,170	S *	12/2009	Keinanen	.....	D14/205
D605,628	S *	12/2009	Ando	.....	D14/205
D607,875	S *	1/2010	Pedersen, II	.....	D14/206
D614,168	S *	4/2010	Rogers et al.	.....	D14/206
D626,117	S *	10/2010	Lowry	.....	D14/223
D636,756	S *	4/2011	Fahrendorff et al.	.....	D14/205
D637,999	S *	5/2011	Brunner et al.	.....	D14/205
D642,163	S *	7/2011	Lee et al.	.....	D14/223
D643,414	S *	8/2011	Lee et al.	.....	D14/223
D643,833	S *	8/2011	Lee et al.	.....	D14/223

\* cited by examiner

*Primary Examiner* — Paula Greene

(74) *Attorney, Agent, or Firm* — LaRiviere, Grubman & Payne, LLP

(57) **CLAIM**

The ornamental design for an audio listening system, as shown and described.

**DESCRIPTION**

FIG. 1 is a perspective view of an audio listening system, showing our design;

FIG. 2 is a front view thereof;

FIG. 3 is a rear view thereof;

FIG. 4 is a side view thereof;

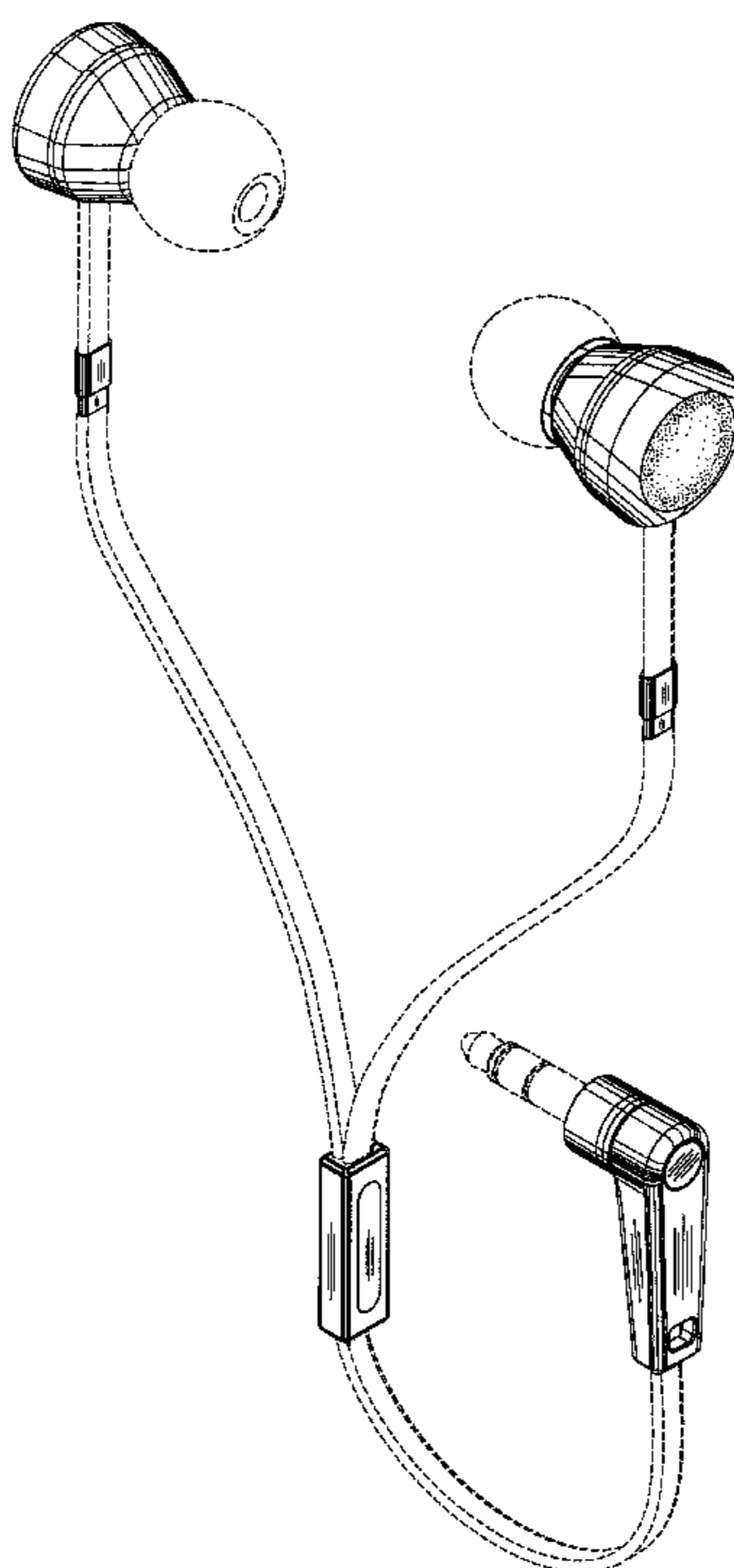
FIG. 5 is an opposing side view thereof;

FIG. 6 is a top view thereof; and,

FIG. 7 is a bottom view thereof.

The broken lines showing the environment are for illustrative purposes only and form no part of the claimed design.

**1 Claim, 5 Drawing Sheets**



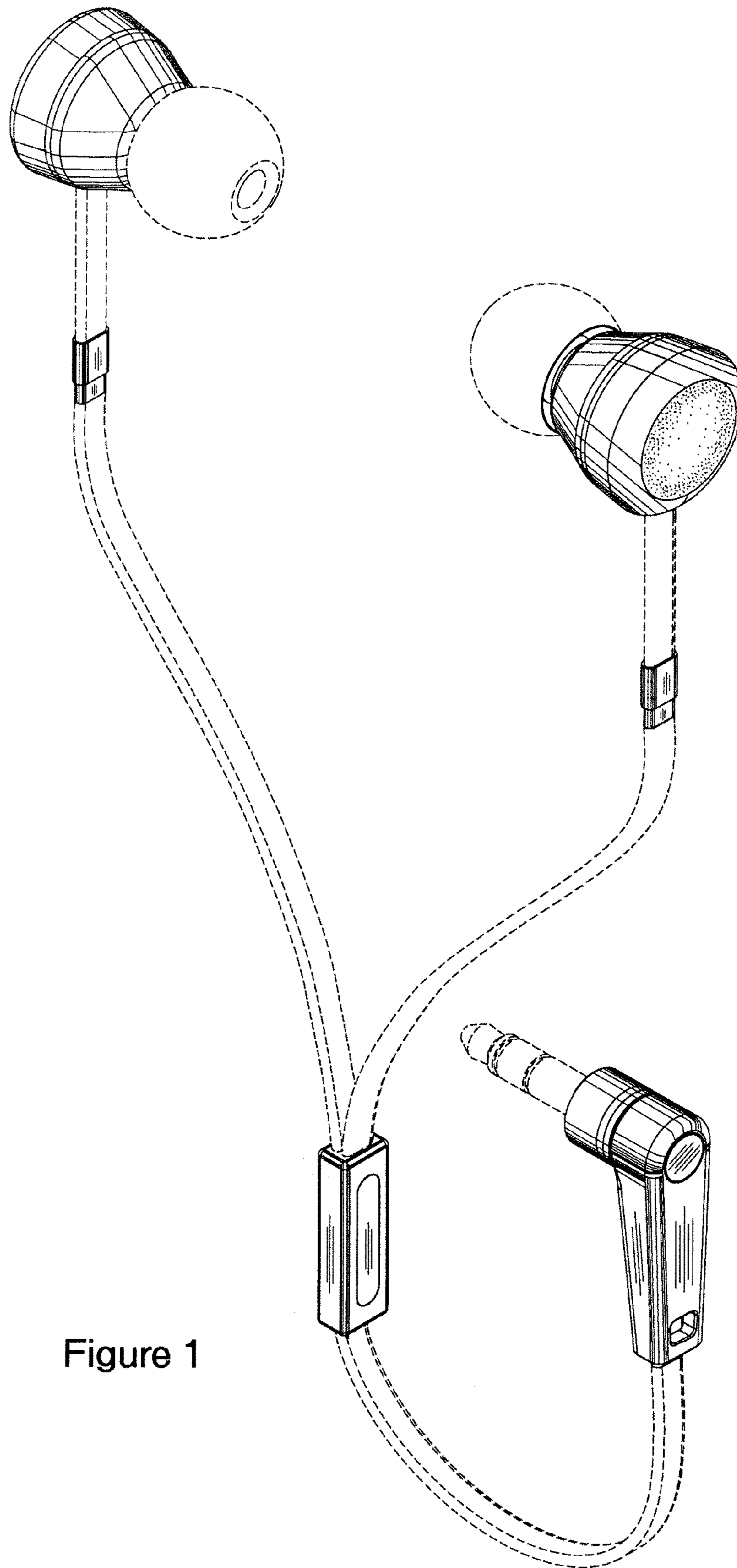


Figure 1

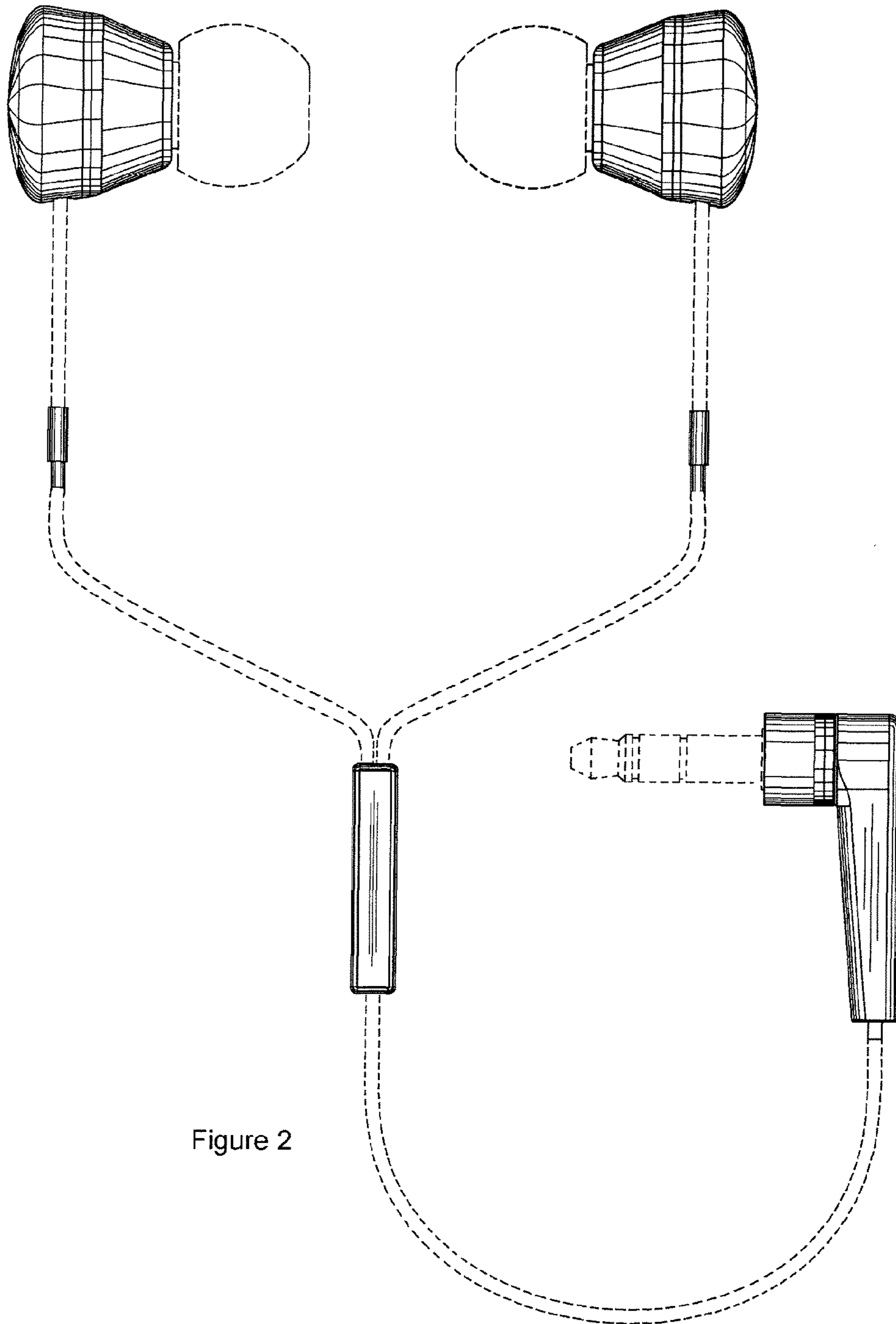


Figure 2

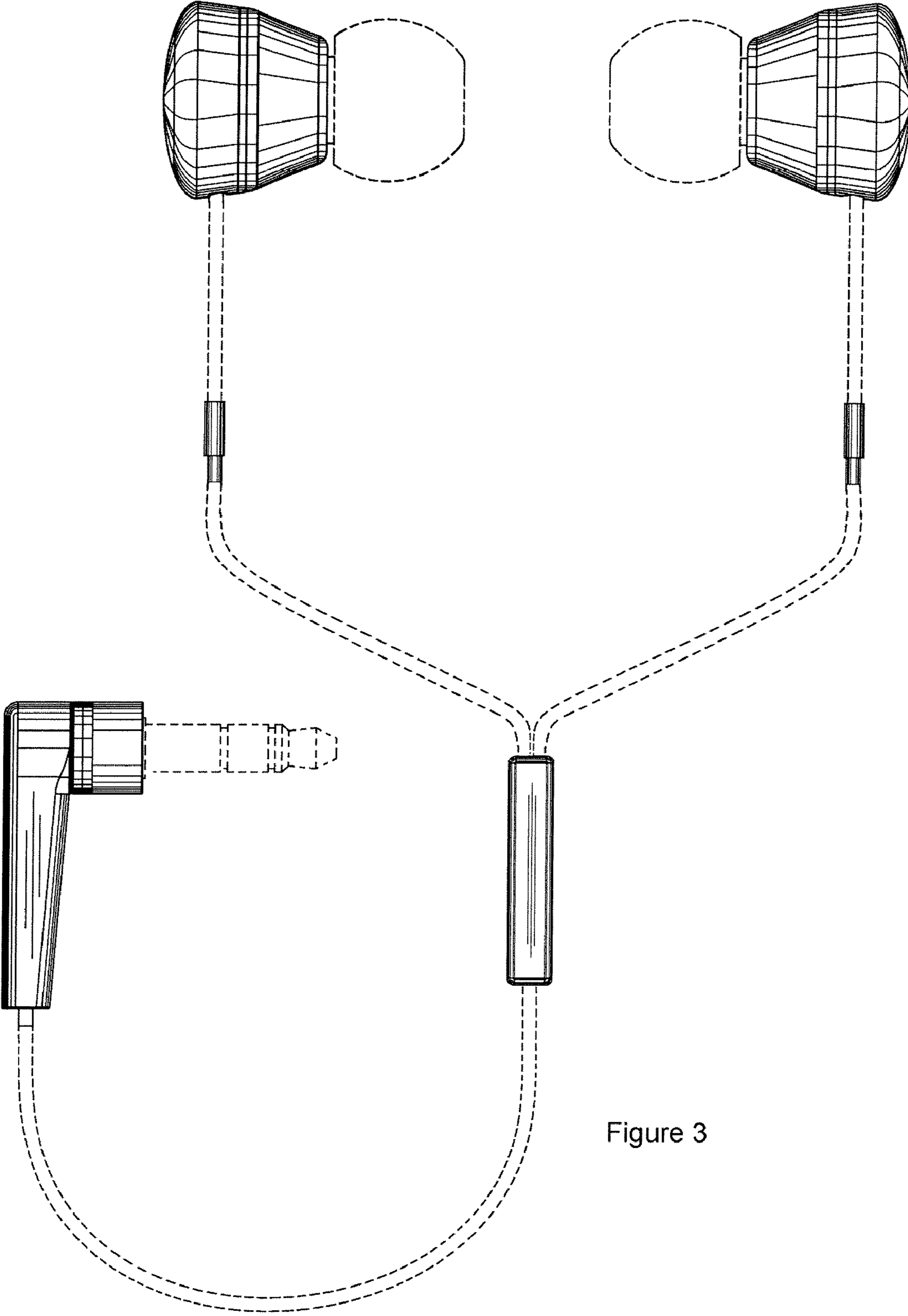


Figure 3

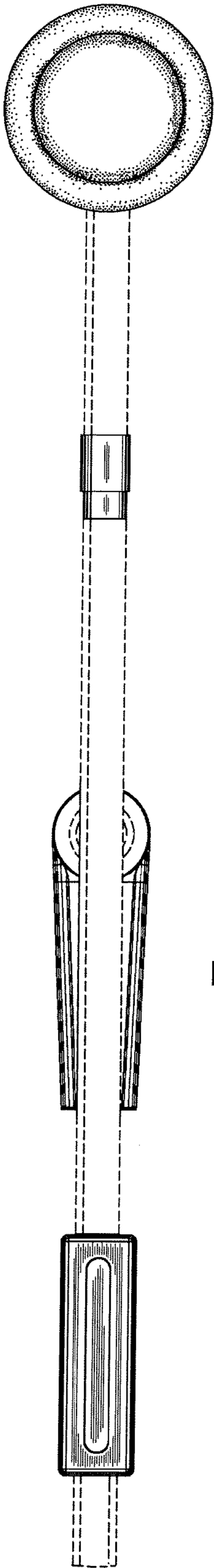


Figure 4

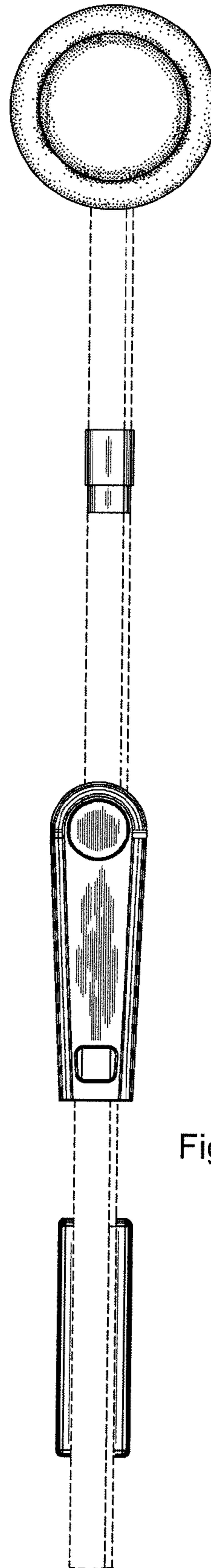


Figure 5

