

US00D652816S

(12) **United States Design Patent**
Compoginis et al.

(10) **Patent No.:** **US D652,816 S**
(45) **Date of Patent:** **** Jan. 24, 2012**

(54) **TELEPHONE**

(76) Inventors: **Dean C. Compoginis**, Aptos, CA (US);
Jochen Backs, San Francisco, CA (US);
Lawrence Shubert, Belmont, CA (US)

(**) Term: **14 Years**

(21) Appl. No.: **29/367,067**

(22) Filed: **Aug. 3, 2010**

(51) **LOC (9) Cl.** **14-03**

(52) **U.S. Cl.** **D14/151**

(58) **Field of Classification Search** D14/125,
D14/126, 127, 128, 129, 130, 140, 141, 142,
D14/144, 145, 146, 147, 148, 149, 150, 151,
D14/250, 251, 252, 253, 329, 330; D13/107,
D13/108; 455/90.3, 550.1; 379/419, 420.1,
379/420.2, 420.3, 420.4, 428.01, 428.02,
379/420.03, 428.04, 434, 435, 436; 320/110,
320/113, 114, 115

See application file for complete search history.

(56) **References Cited**

U.S. PATENT DOCUMENTS

D268,758 S	4/1983	Boldt
D273,863 S	5/1984	Goodin
D295,041 S	4/1988	Wong
D309,304 S	7/1990	Takada
D324,036 S	2/1992	Wakasa
5,170,427 A	12/1992	Guichard
D344,513 S	2/1994	Taniuchi
D359,488 S	6/1995	Hui
D375,735 S	11/1996	Tochishita
D380,753 S	7/1997	Constantine
D389,837 S	1/1998	Summers
D391,569 S	3/1998	Brunner
D411,534 S	6/1999	Lepack

D427,161 S	6/2000	Oh	
D512,976 S	12/2005	Lee	
D520,983 S	5/2006	Siebke	
D558,181 S	* 12/2007	Takada et al.	D14/151
D558,182 S	* 12/2007	Takada et al.	D14/151
D562,304 S	* 2/2008	Takada et al.	D14/151
D581,897 S	* 12/2008	Katori	D14/151
D598,896 S	8/2009	Garrett	
D605,615 S	* 12/2009	Fuxen	D14/130
D617,766 S	* 6/2010	Katori et al.	D14/149
D620,464 S	* 7/2010	Quiros et al.	D14/130
D620,472 S	* 7/2010	Robinson et al.	D14/149
D638,817 S	* 5/2011	Fleming et al.	D14/145

* cited by examiner

Primary Examiner — Susan Bennett Hattan

Assistant Examiner — Barbara B Lohr

(74) *Attorney, Agent, or Firm* — QuickPatents, Inc.; Kevin Prince

(57) **CLAIM**

What is claimed is the ornamental design for a telephone, as shown and described.

DESCRIPTION

FIG. 1 is a front perspective view of a telephone, showing the new design;

FIG. 2 is a rear perspective view thereof;

FIG. 3 is a front elevational view thereof;

FIG. 4 is a rear elevational view thereof;

FIG. 5 is a right-side elevational view thereof;

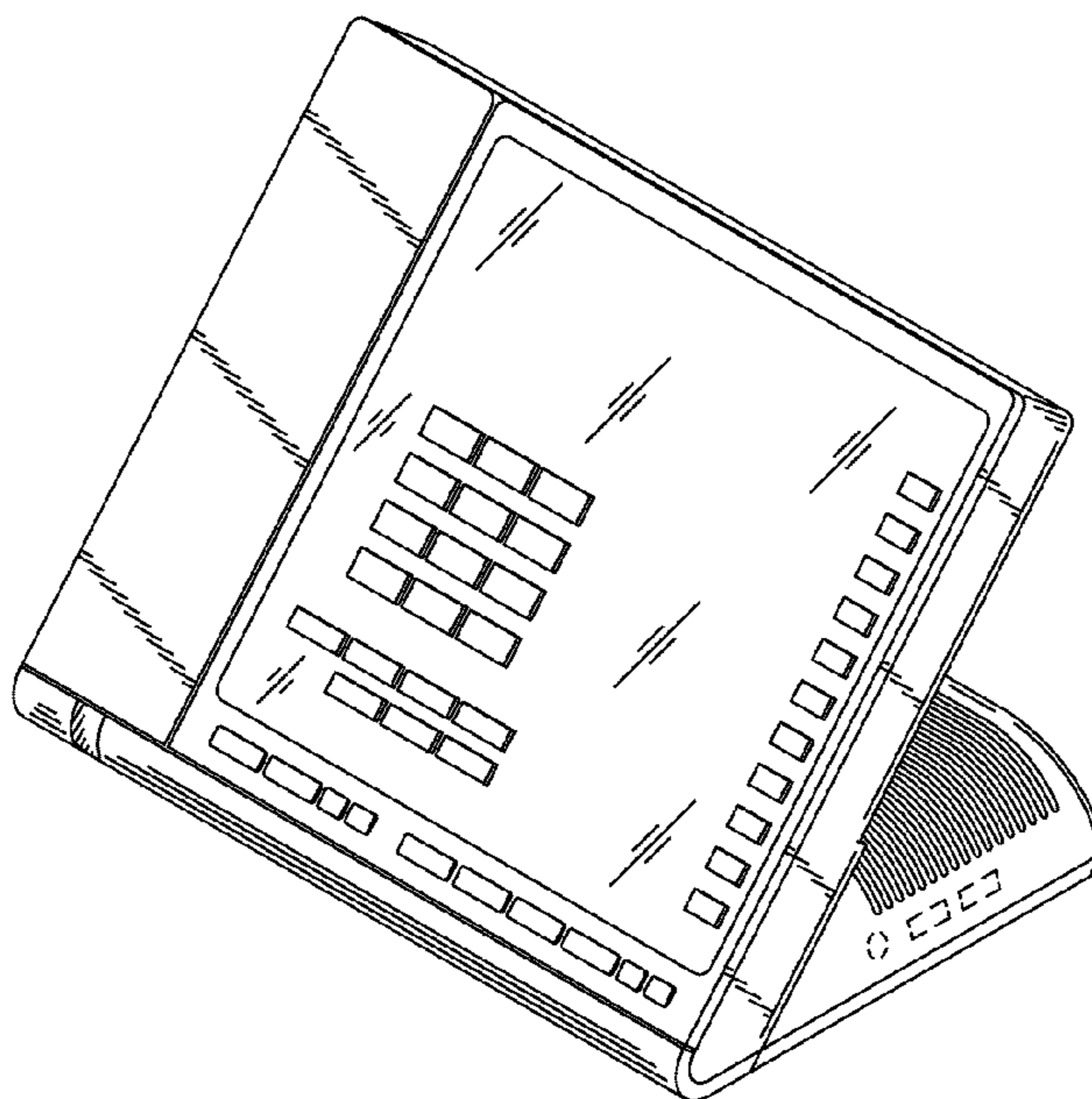
FIG. 6 is a left-side elevational view thereof;

FIG. 7 is a top plan view thereof; and,

FIG. 8 is a bottom plan view thereof.

The broken lines showing cable management troughs in FIG. 8 depict environmental matter, and form no part of the claimed design.

1 Claim, 3 Drawing Sheets



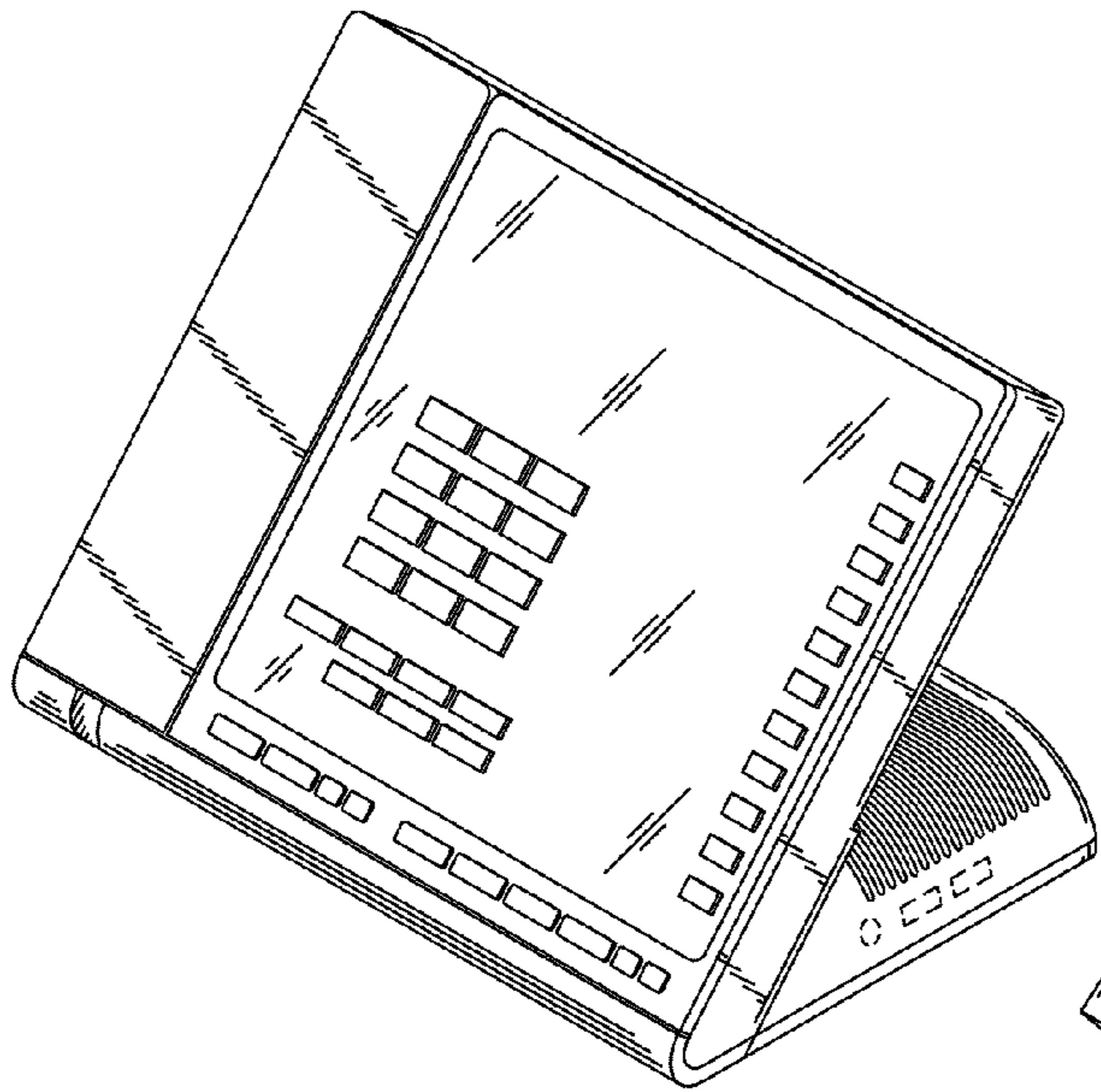


FIG. 1

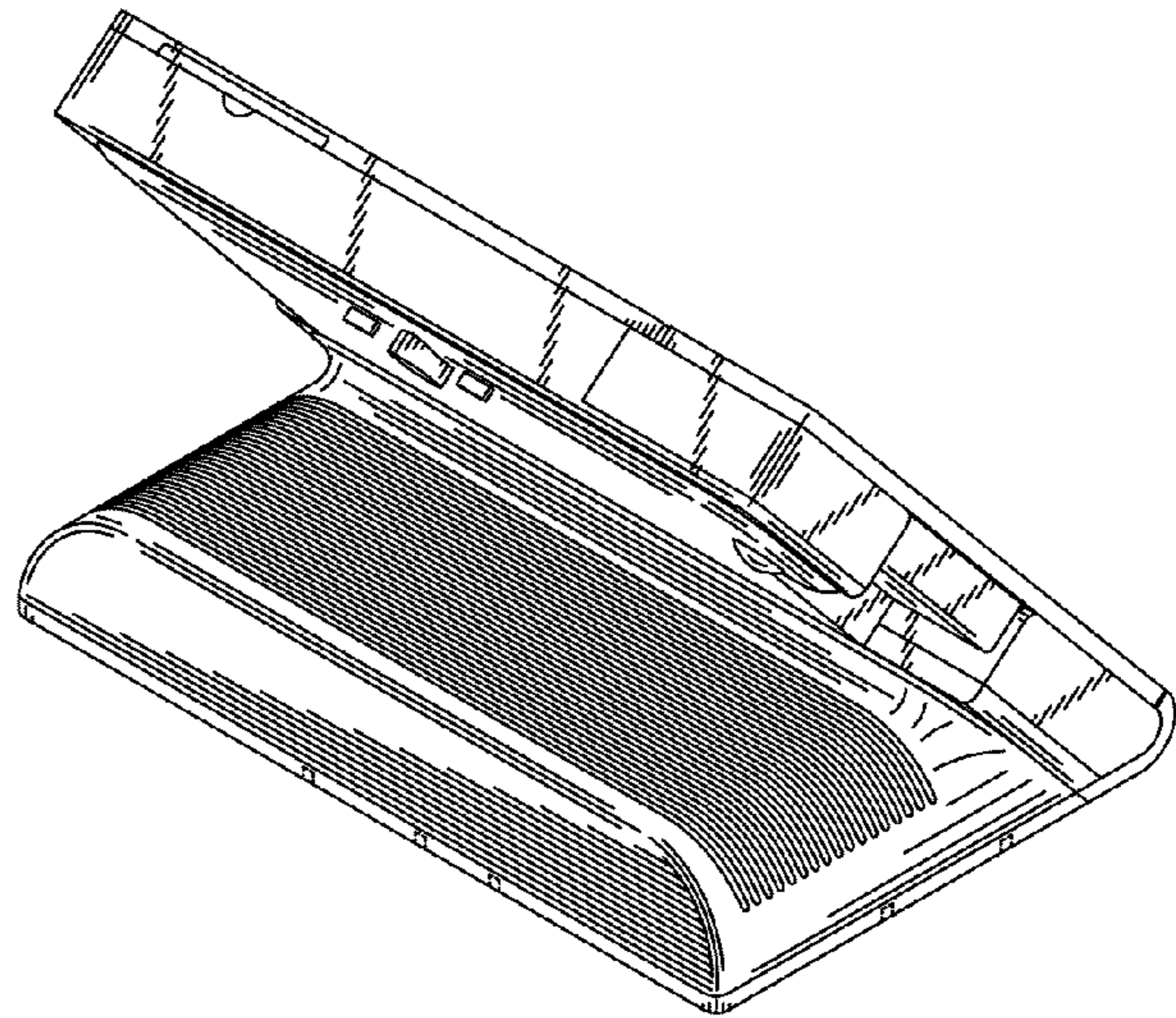


FIG. 2

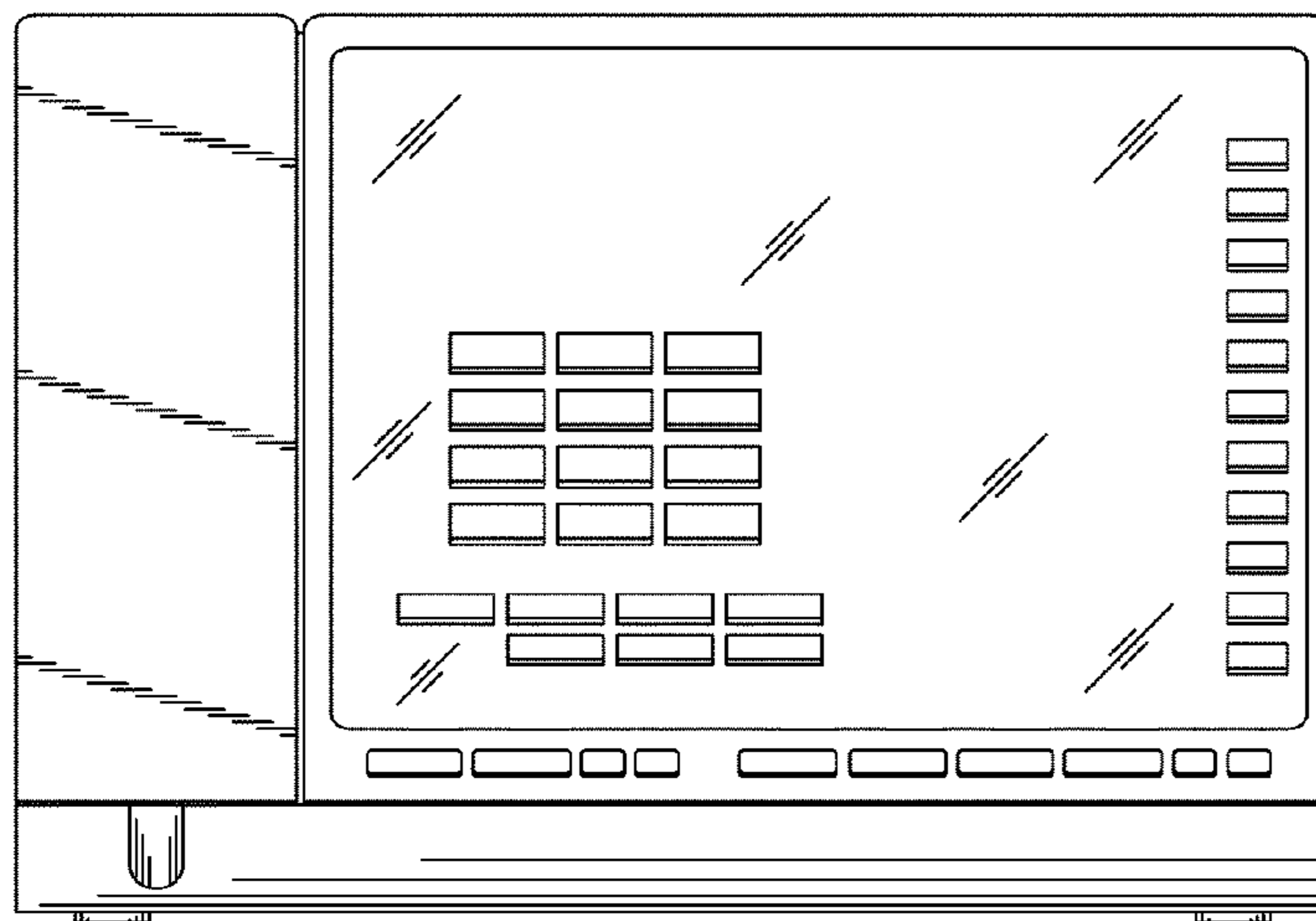


FIG. 3

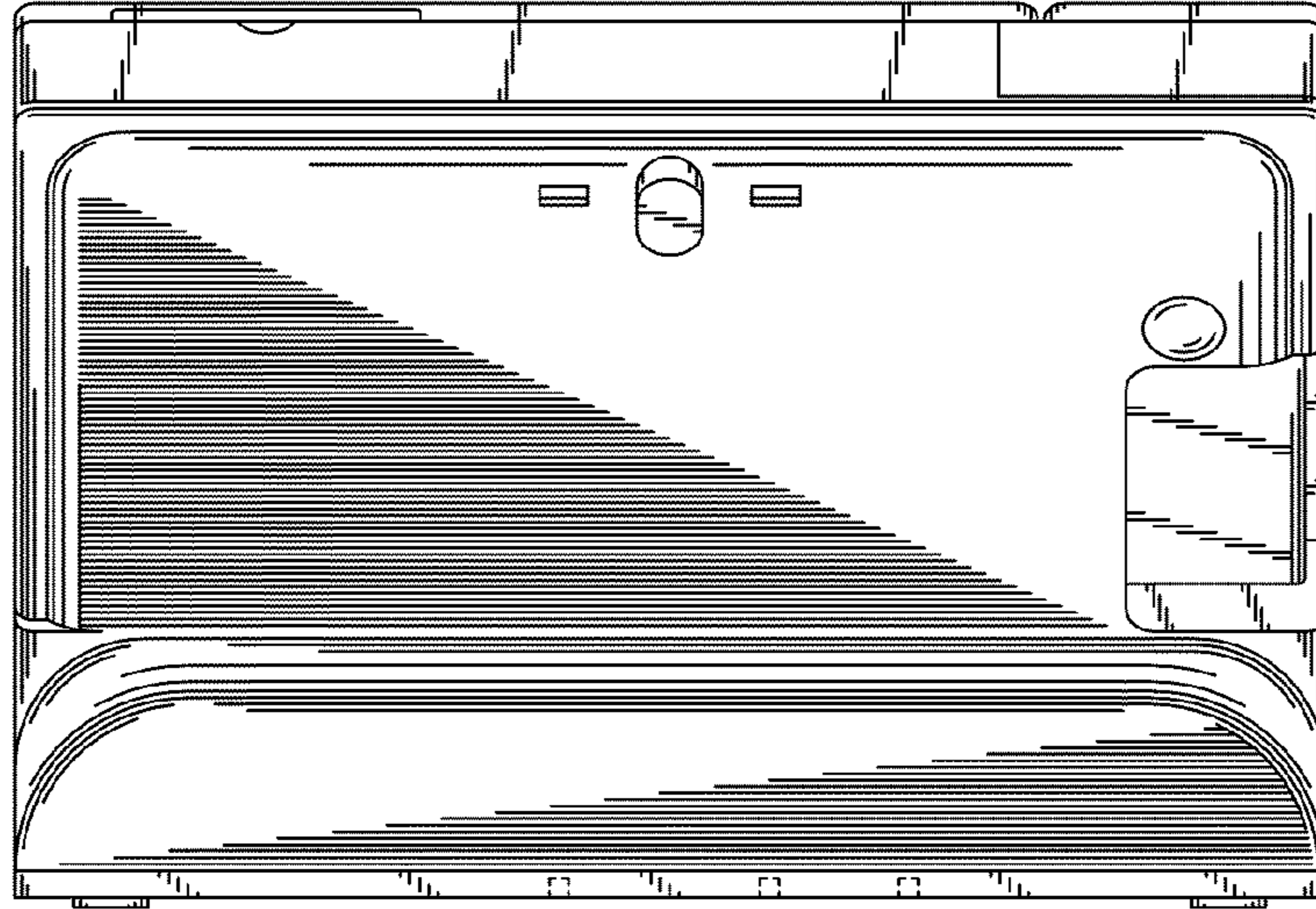


FIG. 4

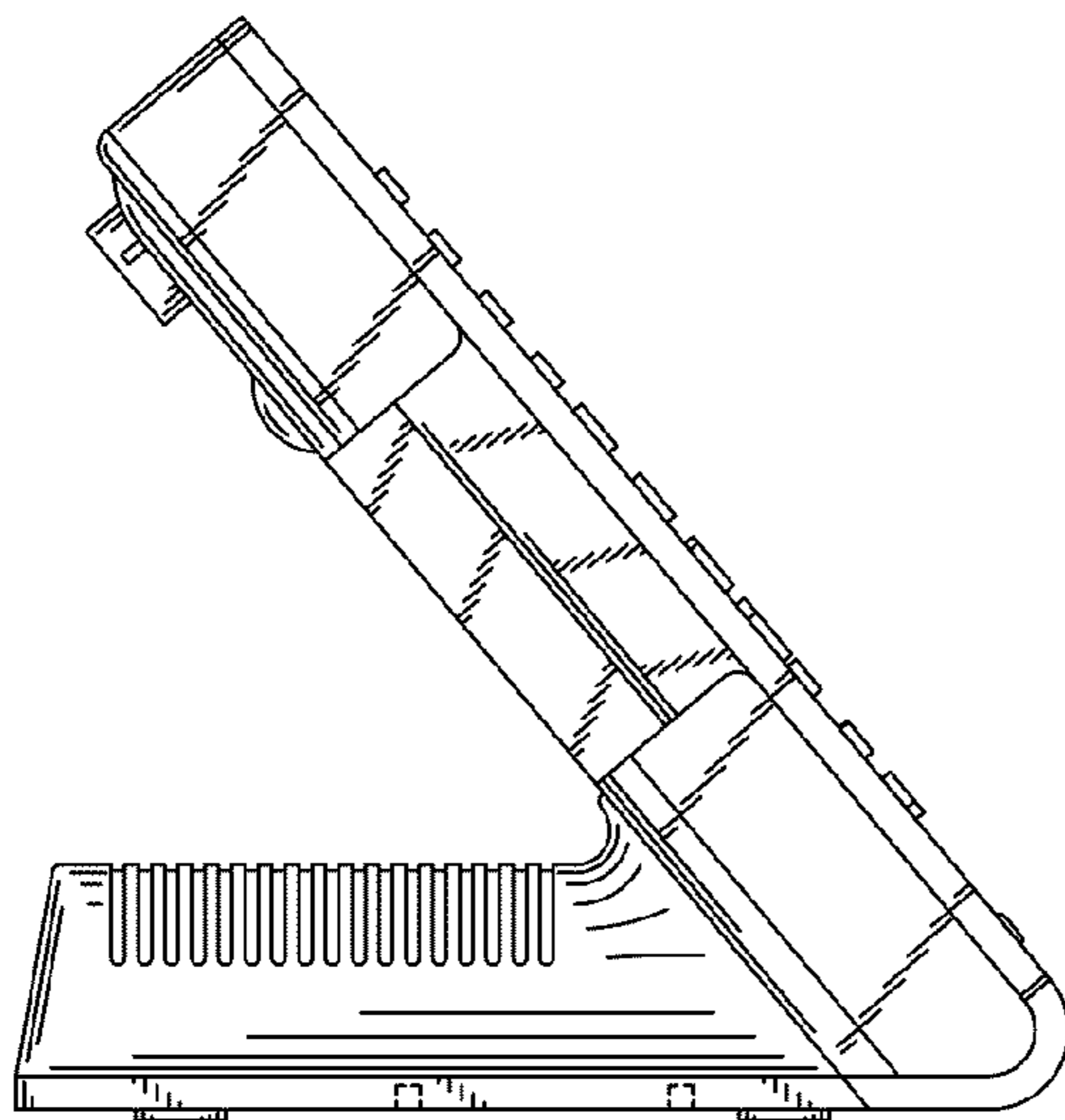


FIG. 5

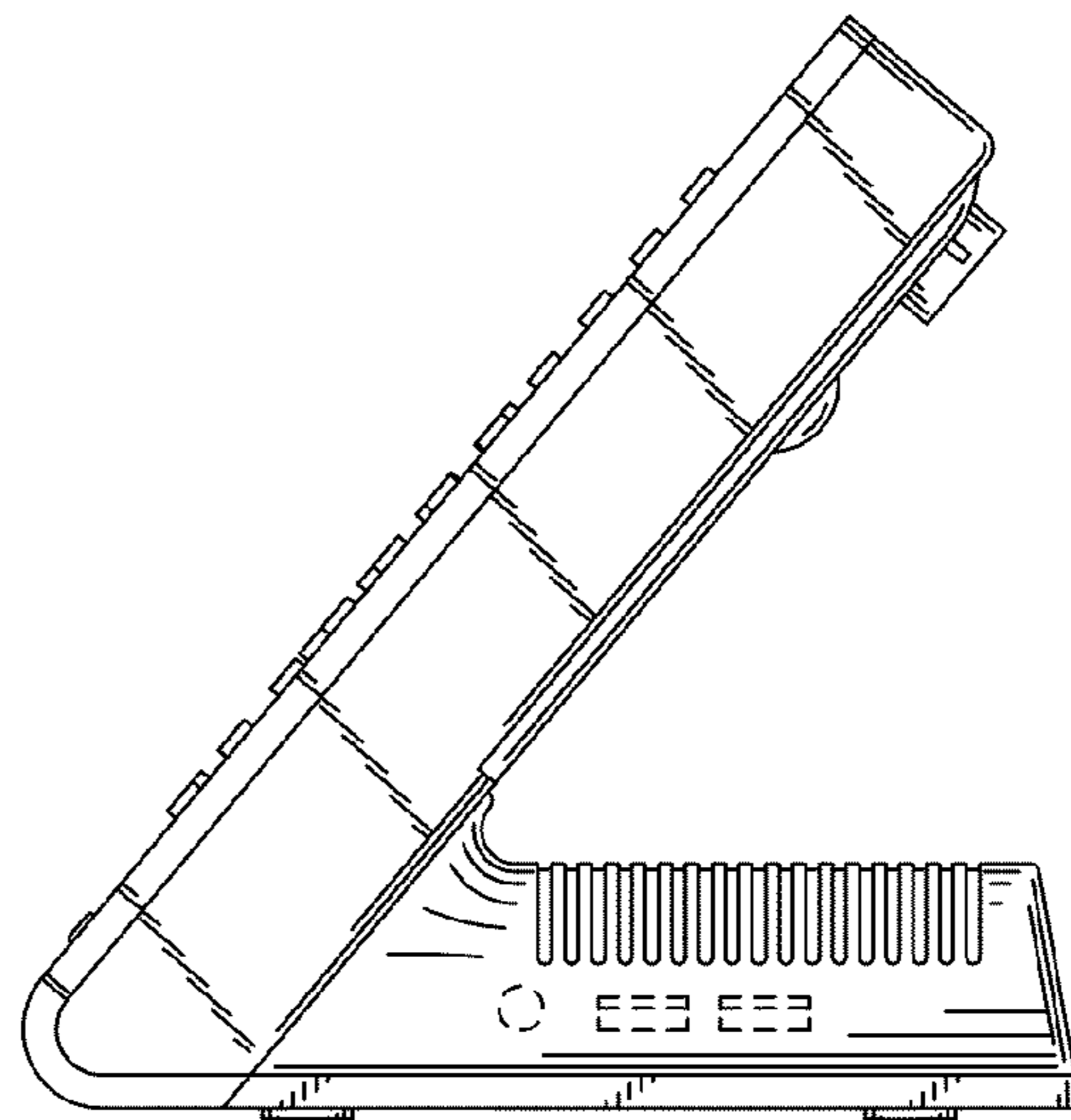


FIG. 6

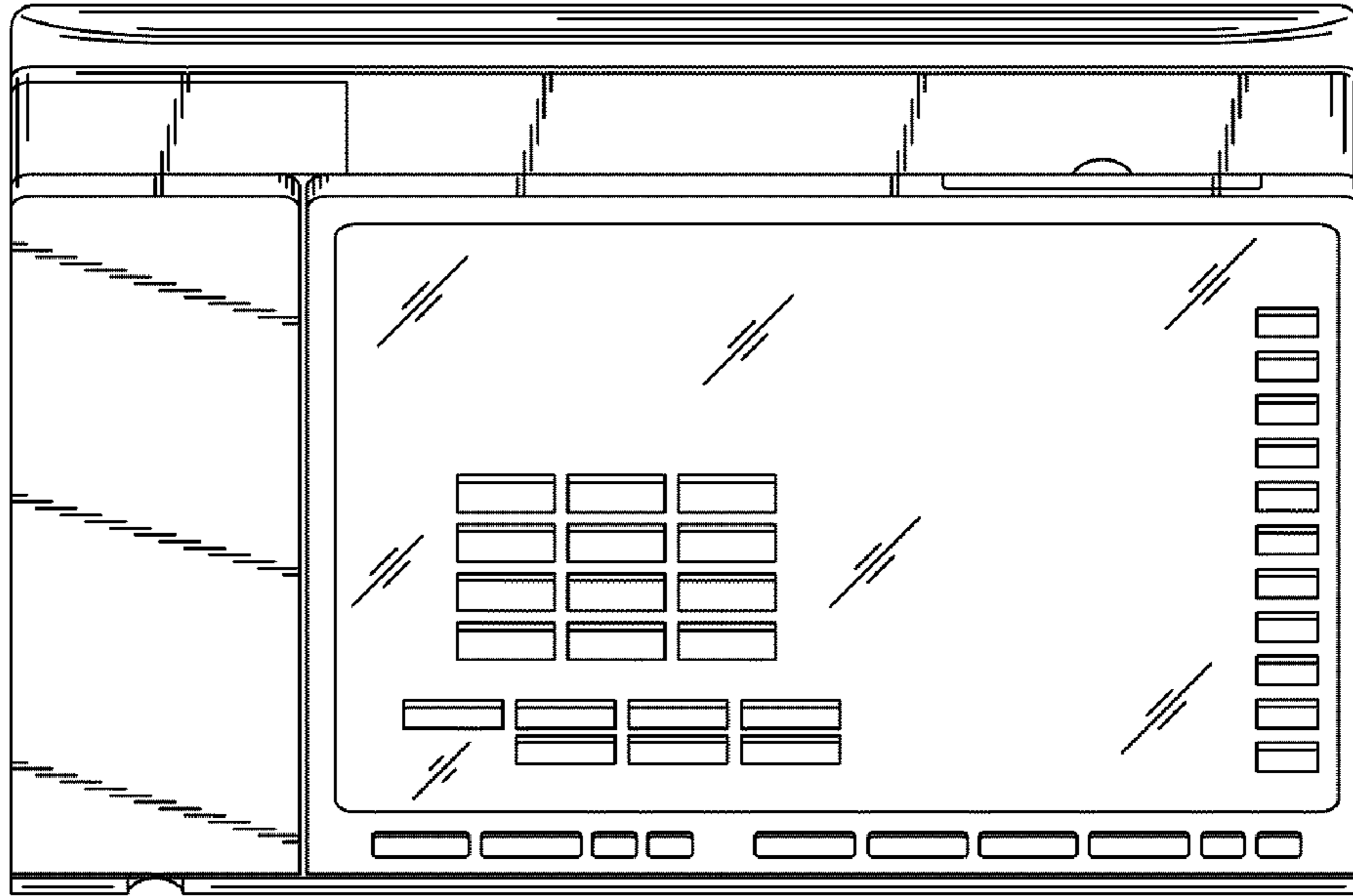


FIG. 7

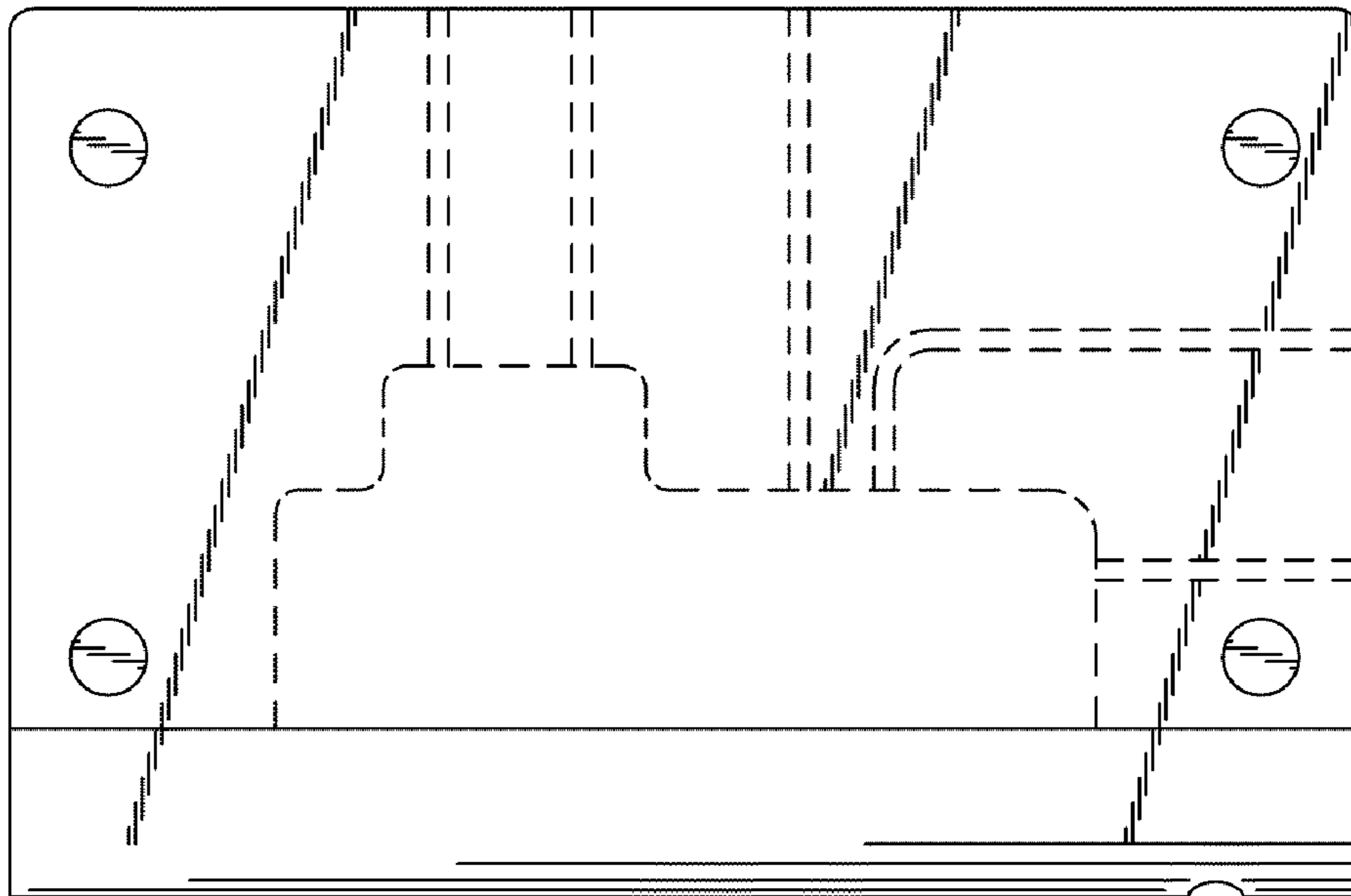


FIG. 8