



US00D652809S

(12) **United States Design Patent**  
**Wedding et al.**

(10) **Patent No.:** **US D652,809 S**  
(45) **Date of Patent:** **\*\* Jan. 24, 2012**

- (54) **ELECTRODE FOR A PLASMA SHELL**
- (75) Inventors: **Carol Ann Wedding**, Toledo, OH (US);  
**Daniel K. Wedding**, Toledo, OH (US);  
**Oliver M. Strbik, III**, Holland, OH (US)
- (73) Assignee: **Imaging Systems Technology**, Toledo,  
OH (US)
- (\*\*) Term: **14 Years**
- (21) Appl. No.: **29/342,054**
- (22) Filed: **Aug. 18, 2009**

**Related U.S. Application Data**

- (63) Continuation of application No. 11/670,479, filed on  
Feb. 2, 2007, and a continuation-in-part of application  
No. 11/655,105, filed on Jan. 19, 2007, now Pat. No.  
7,863,815.
- (51) **LOC (9) Cl.** ..... **13-03**
- (52) **U.S. Cl.** ..... **D13/182**
- (58) **Field of Classification Search** ..... D13/182;  
313/582, 584; 445/24  
See application file for complete search history.

(56) **References Cited**

**U.S. PATENT DOCUMENTS**

6,508,685	B1 *	1/2003	Lee et al.	445/24
6,597,124	B2 *	7/2003	Park et al.	315/169.4
6,677,704	B2 *	1/2004	Ishimoto et al.	313/493
6,716,078	B1 *	4/2004	Stainer et al.	445/24
6,819,307	B2 *	11/2004	Kang et al.	345/60
7,015,645	B2 *	3/2006	Kim et al.	313/586
7,122,961	B1	10/2006	Wedding	
7,157,854	B1	1/2007	Wedding	
RE39,488	E *	2/2007	Park et al.	313/586
7,176,628	B1	2/2007	Wedding	
7,307,602	B1	12/2007	Wedding et al.	
7,375,342	B1	5/2008	Wedding	
7,405,516	B1	7/2008	Wedding	
7,456,571	B1	11/2008	Wedding	
7,474,273	B1	1/2009	Pavliscaak et al.	
7,521,865	B2 *	4/2009	Su et al.	313/582

7,535,175	B1	5/2009	Strbik, III et al.	
7,595,774	B1	9/2009	Wedding et al.	
7,604,523	B1	10/2009	Wedding et al.	
7,622,866	B1	11/2009	Wedding et al.	
7,628,666	B1	12/2009	Strbik, III et al.	
7,638,943	B1	12/2009	Wedding et al.	
2011/0084604	A1 *	4/2011	Jeong et al.	313/582

\* cited by examiner

*Primary Examiner* — Selina Sikder

(74) *Attorney, Agent, or Firm* — Donald K. Wedding

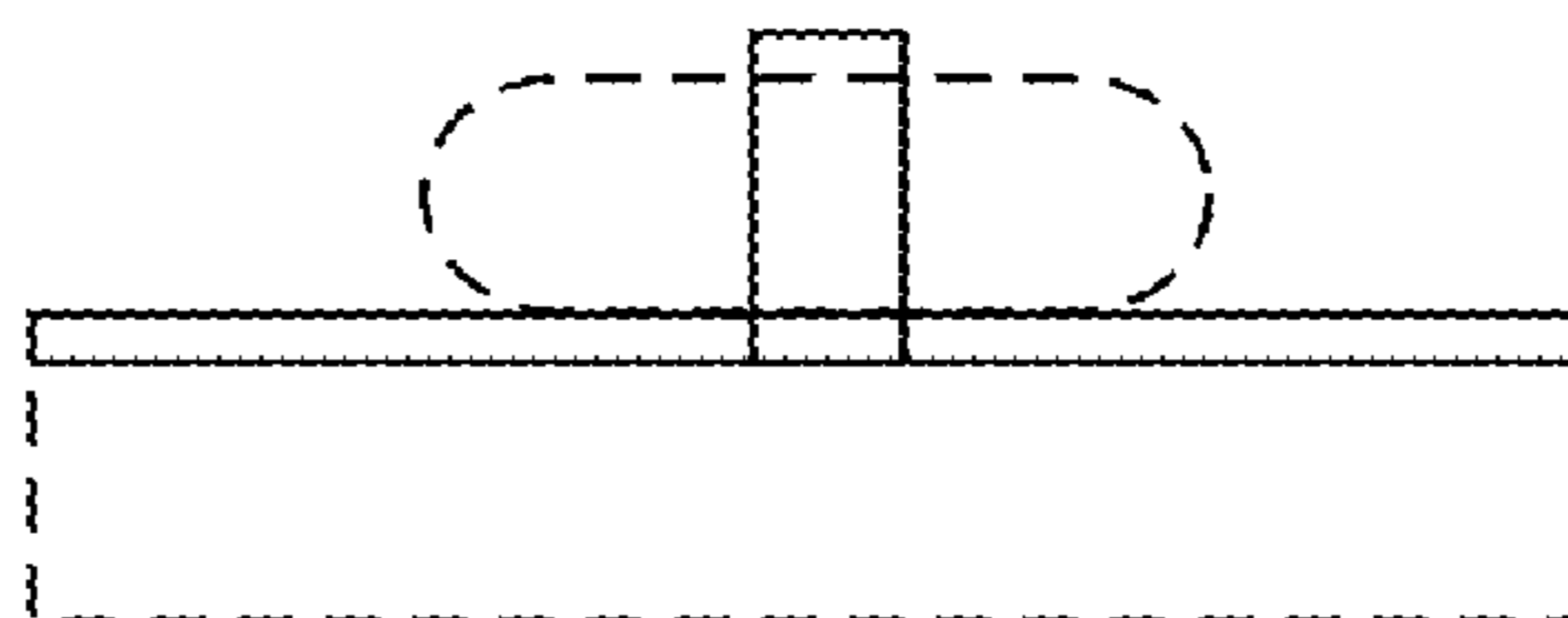
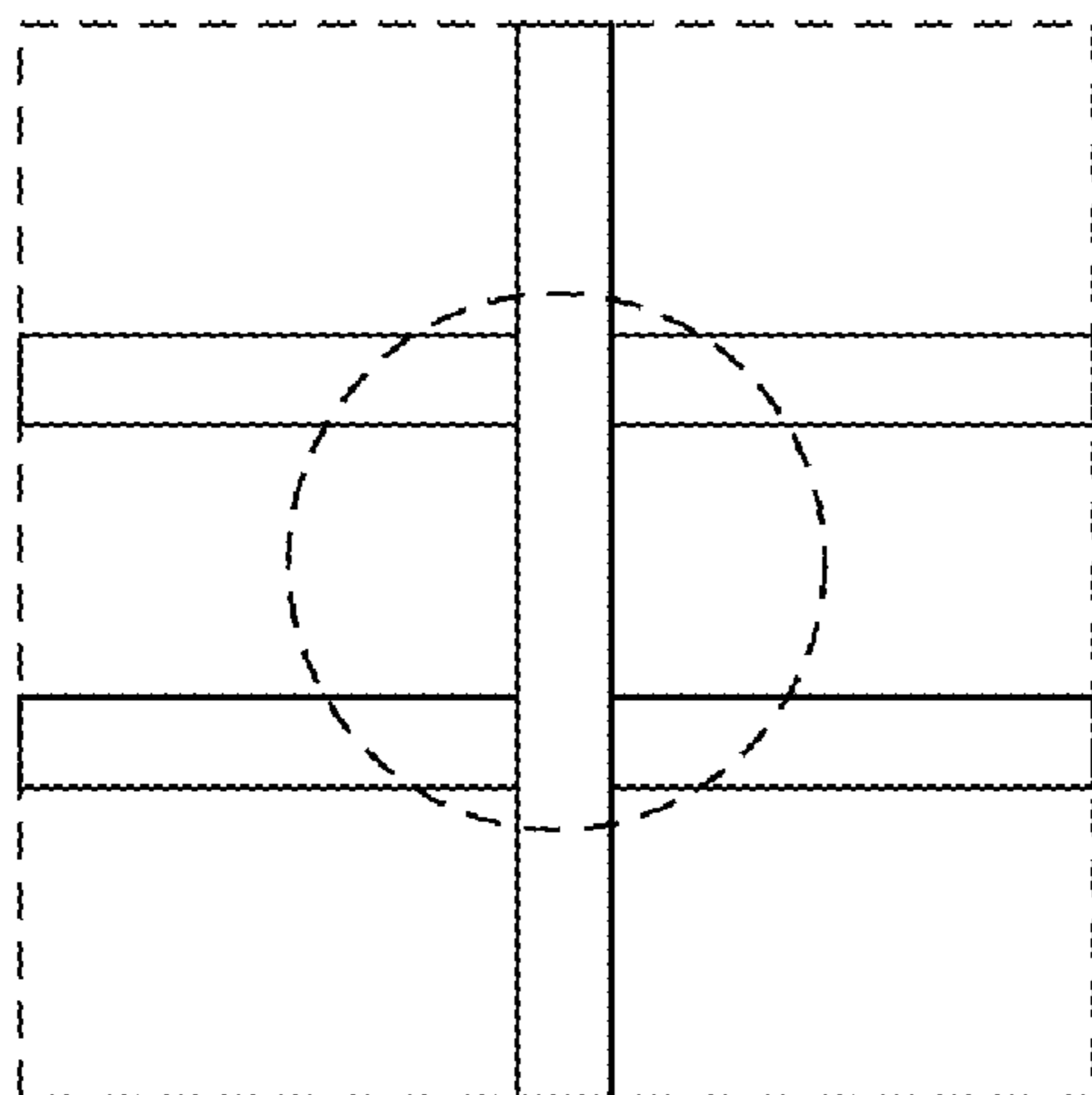
(57) **CLAIM**

The ornamental design for electrode for a plasma shell, as shown and described.

**DESCRIPTION**

FIG. 1 is a top plan view of a first embodiment of the electrode for a plasma shell showing our new design;  
 FIG. 2 is a front elevation view, the rear view being a mirror image thereof;  
 FIG. 3 is a right side view thereof, the left side view being a mirror image thereof;  
 FIG. 4 is a bottom plan view thereof;  
 FIG. 5 is a top plan view of the electrode for a plasma shell thereof, showing an alternate environment;  
 FIG. 6 is a front elevation view, the rear view being a mirror image thereof;  
 FIG. 7 is a right side view thereof, the left side view being a mirror image thereof;  
 FIG. 8 is a bottom plan view thereof;  
 FIG. 9 is a top plan view of a second embodiment of the electrode for a plasma shell thereof  
 FIG. 10 is a front elevation view, the rear view being a mirror image thereof;  
 FIG. 11 is a right side view thereof, the left side view being a mirror image thereof; and,  
 FIG. 12 is a bottom plan view thereof.  
 The broken line showing of the geometric shapes of a plasma dome and a substrate represent environmental structure and forms no part of the claimed design.

**1 Claim, 3 Drawing Sheets**



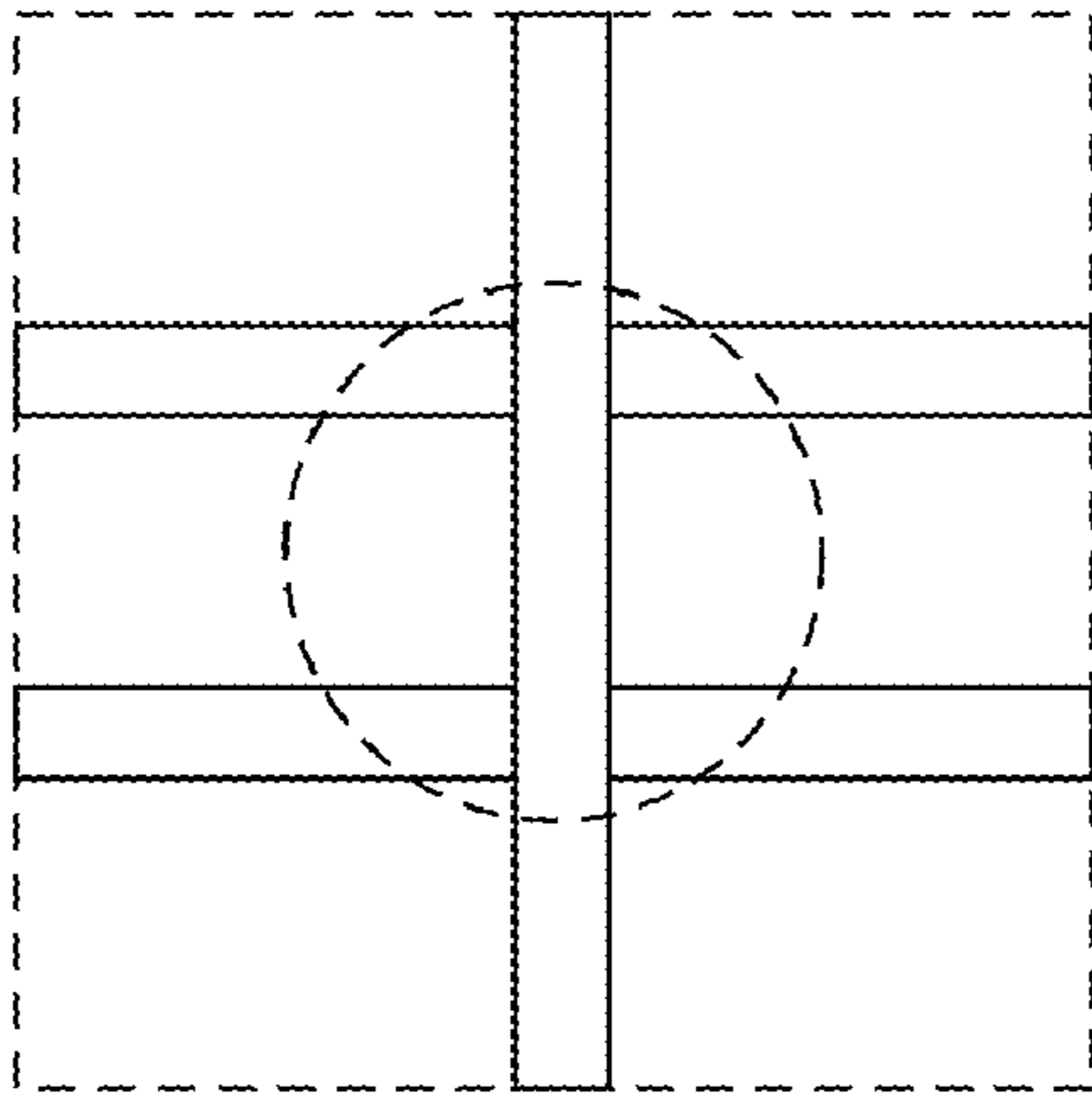


FIG. 1

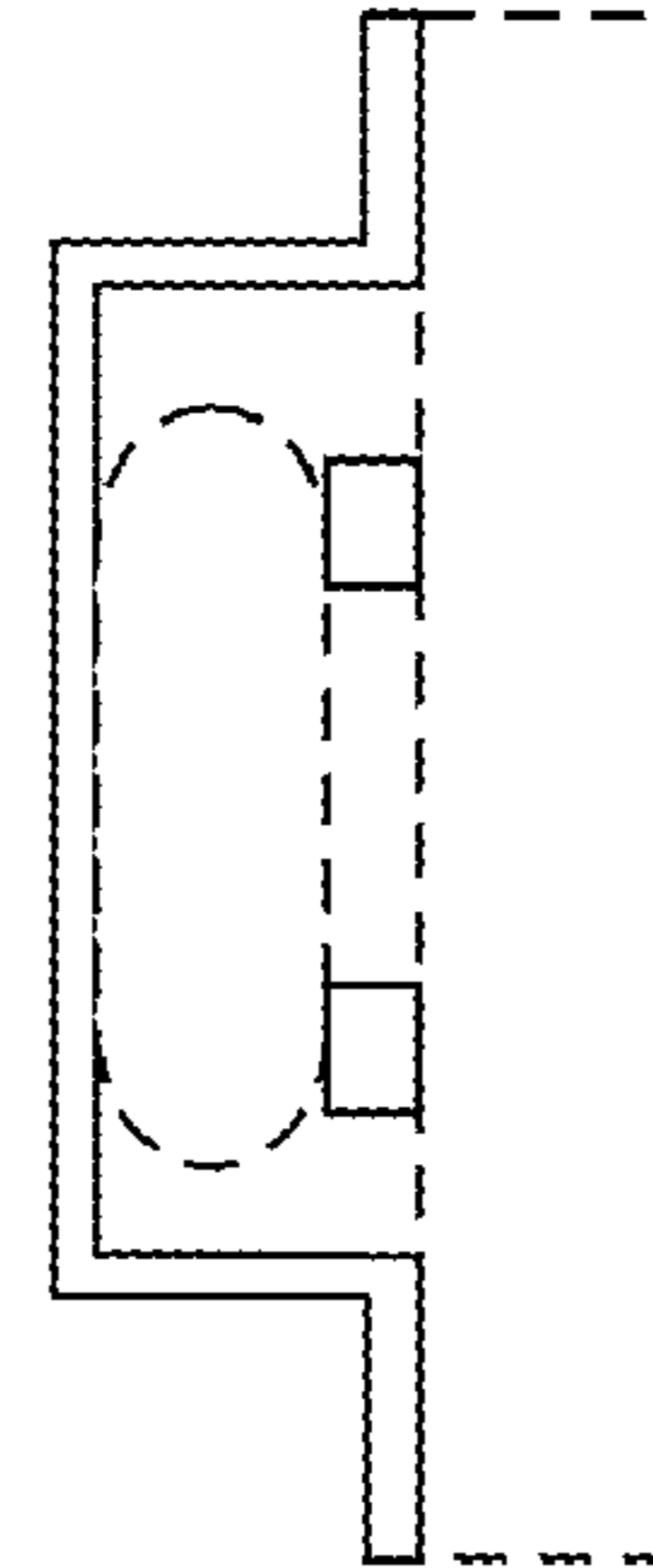


FIG. 3

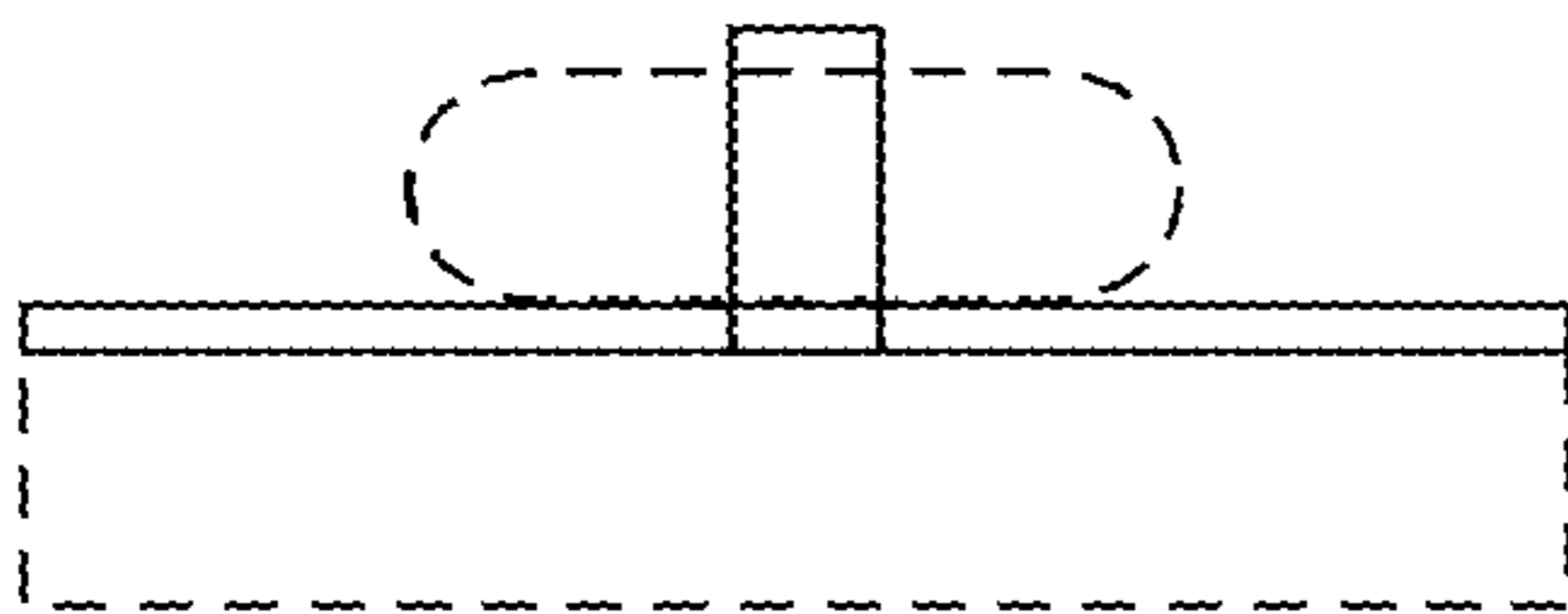


FIG. 2

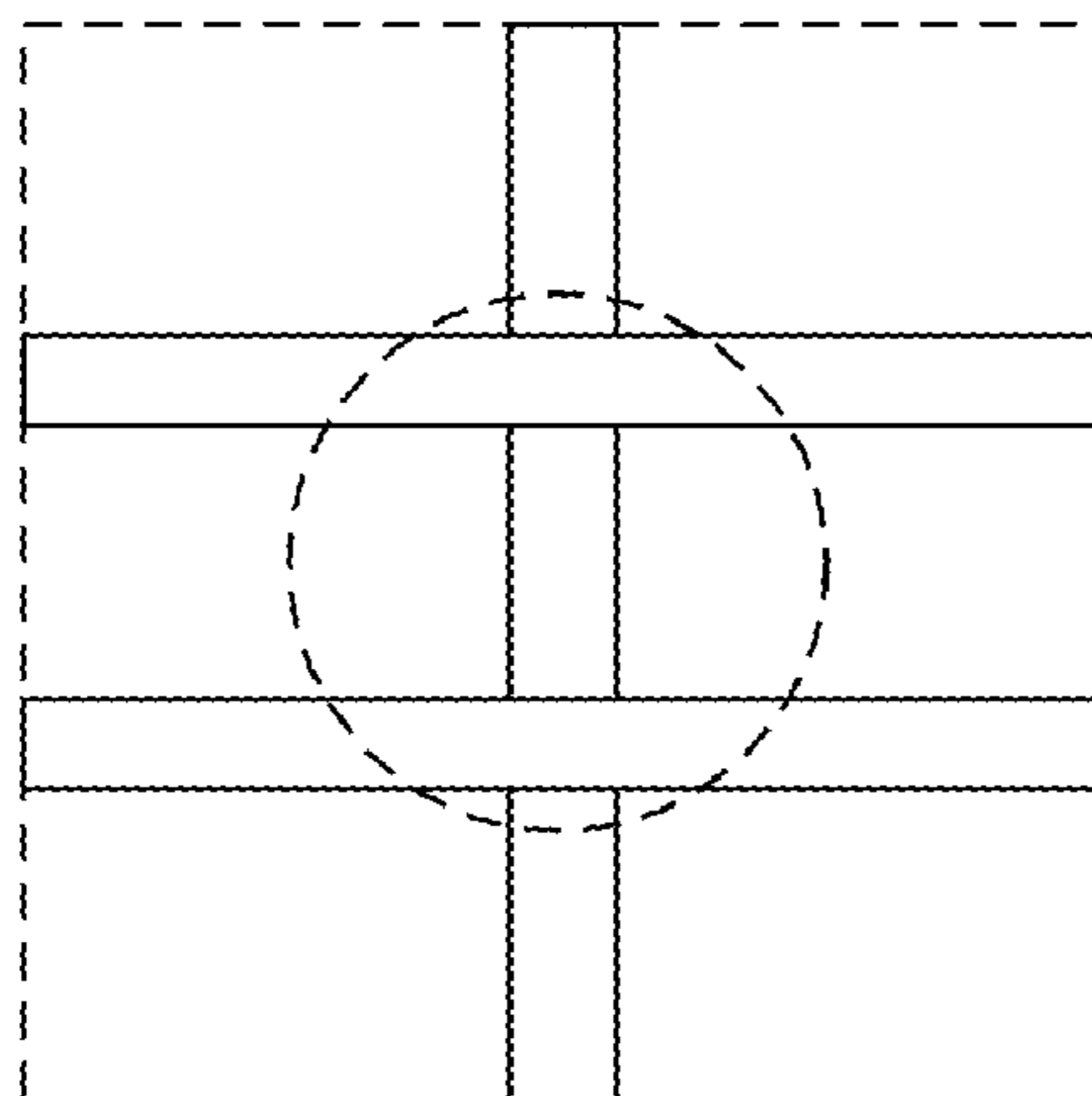


FIG. 4

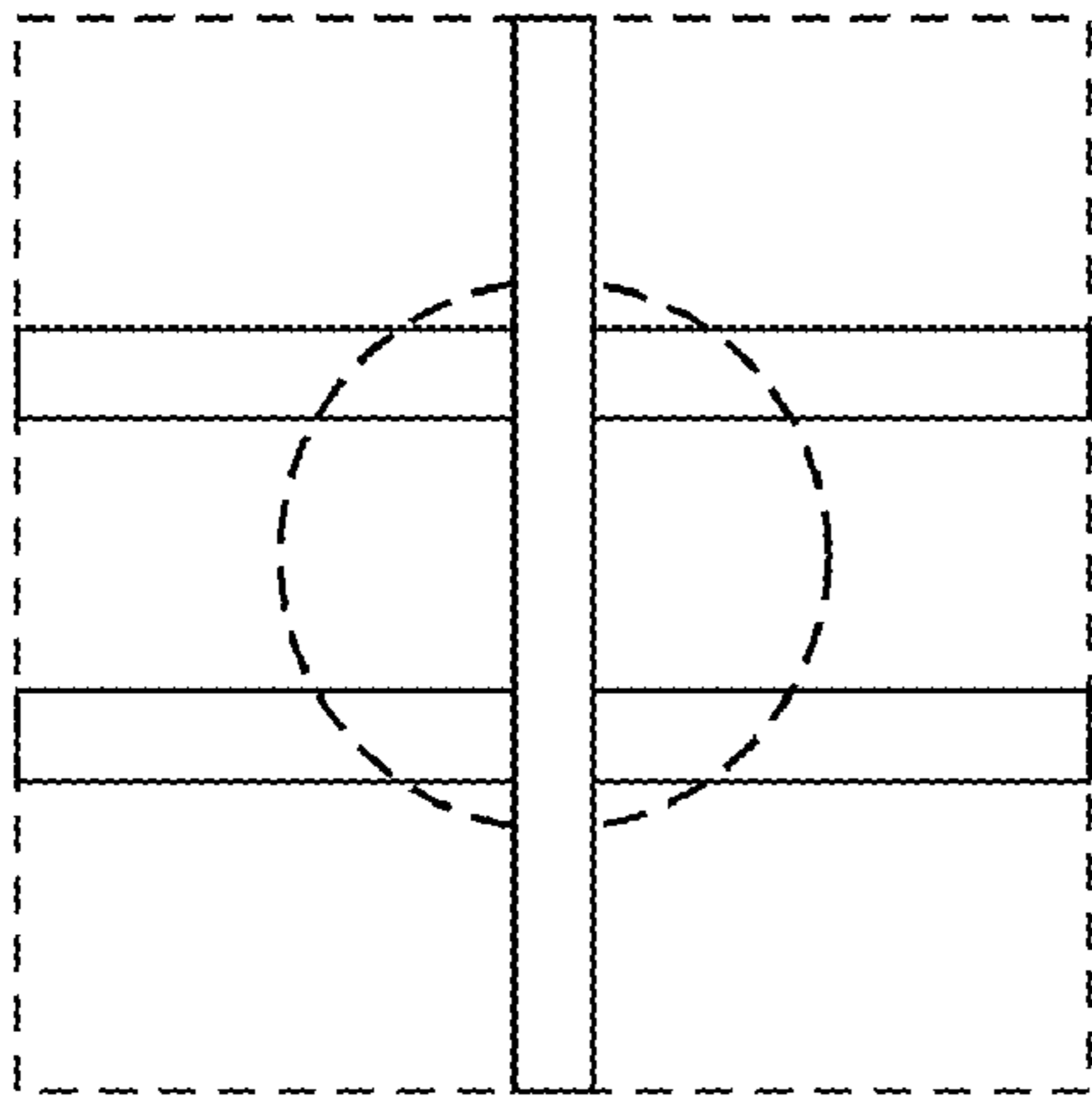


FIG. 5

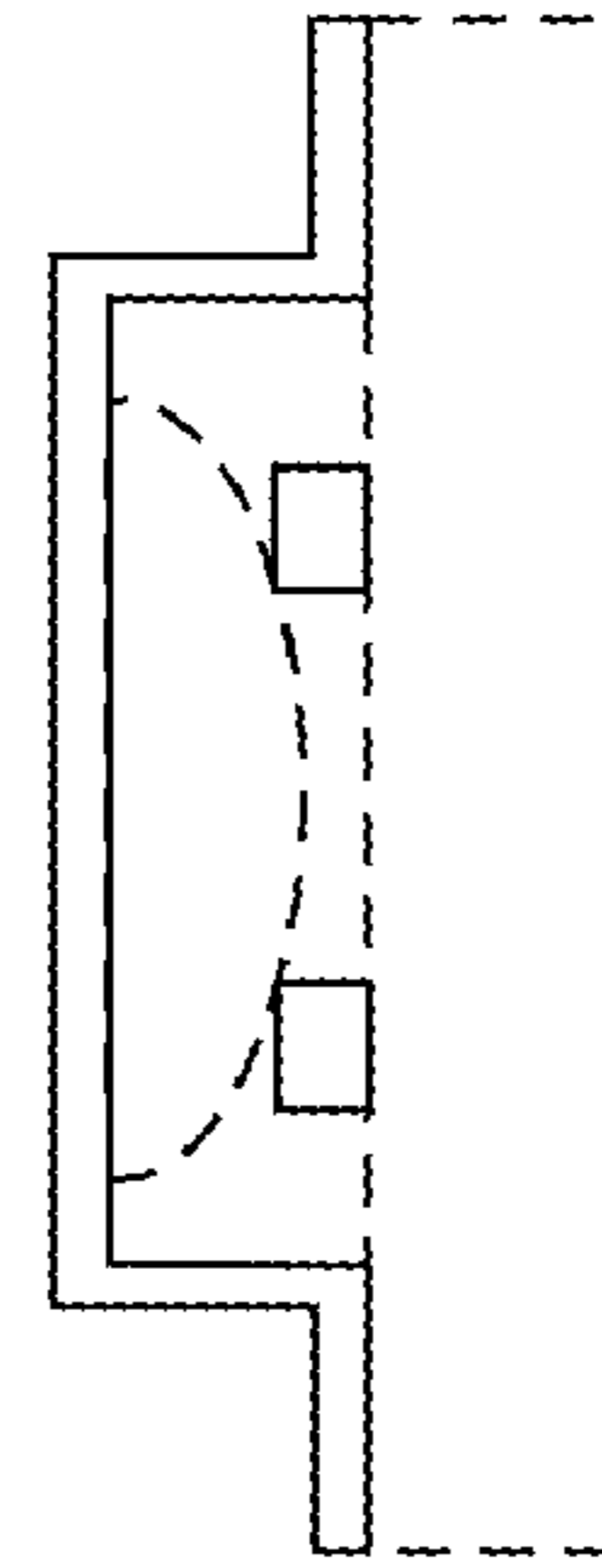


FIG. 6

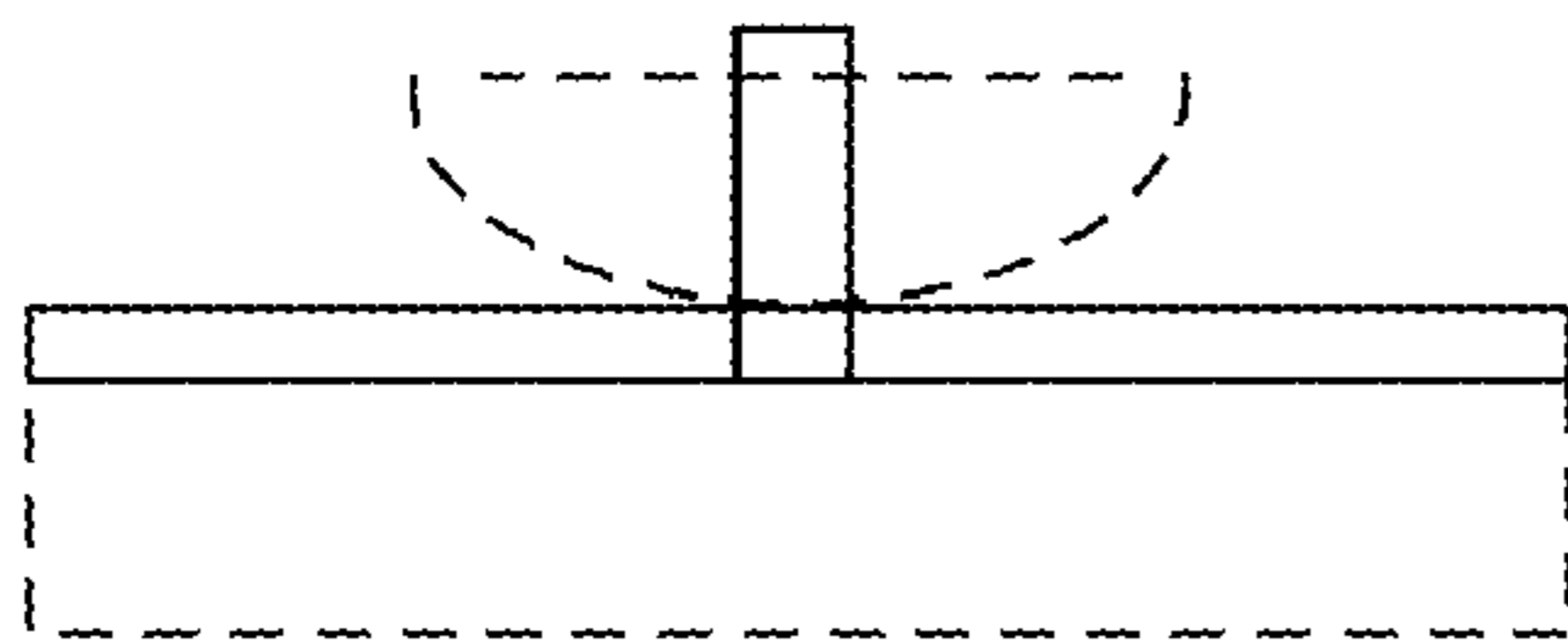


FIG. 7

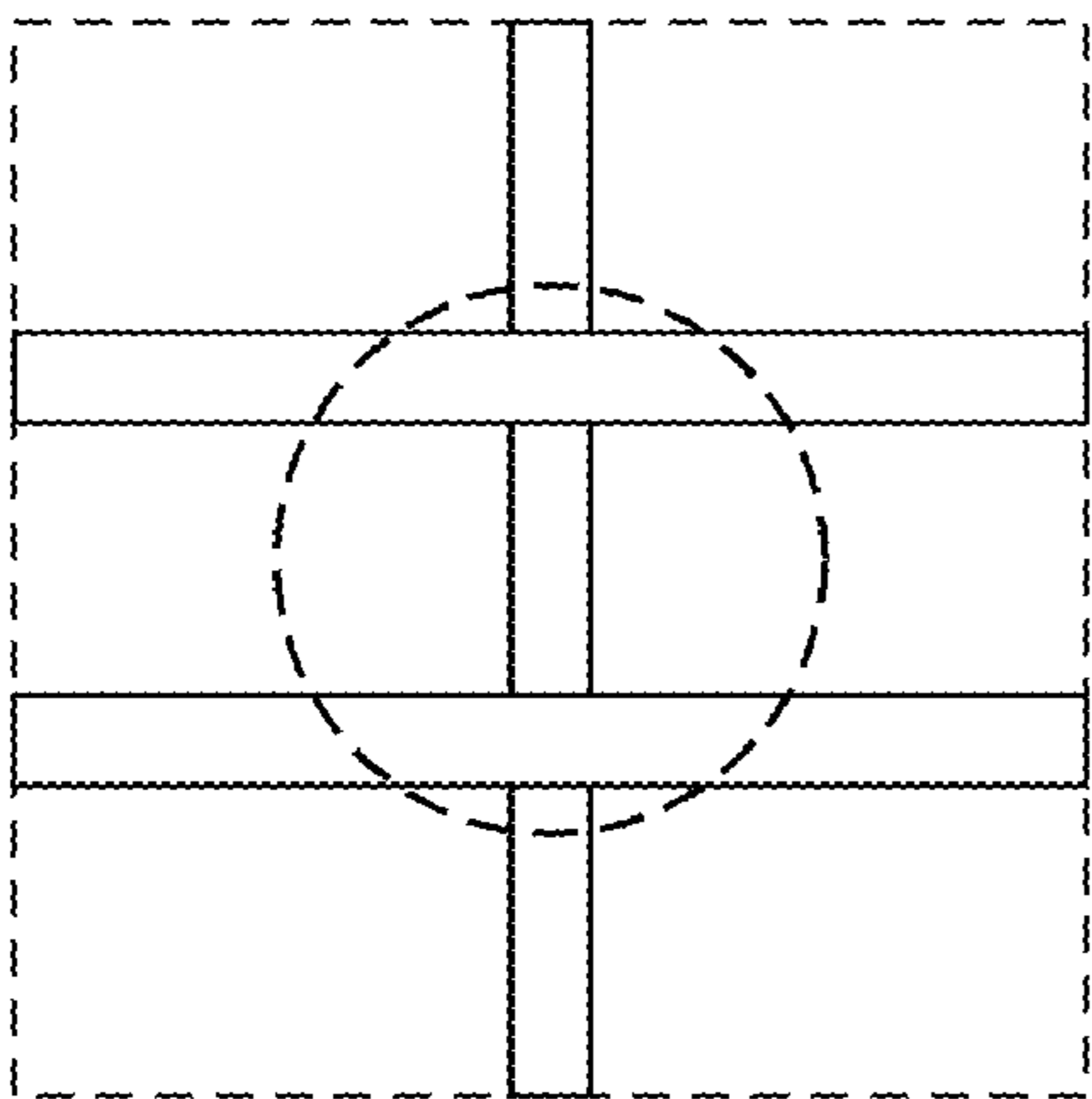


FIG. 8

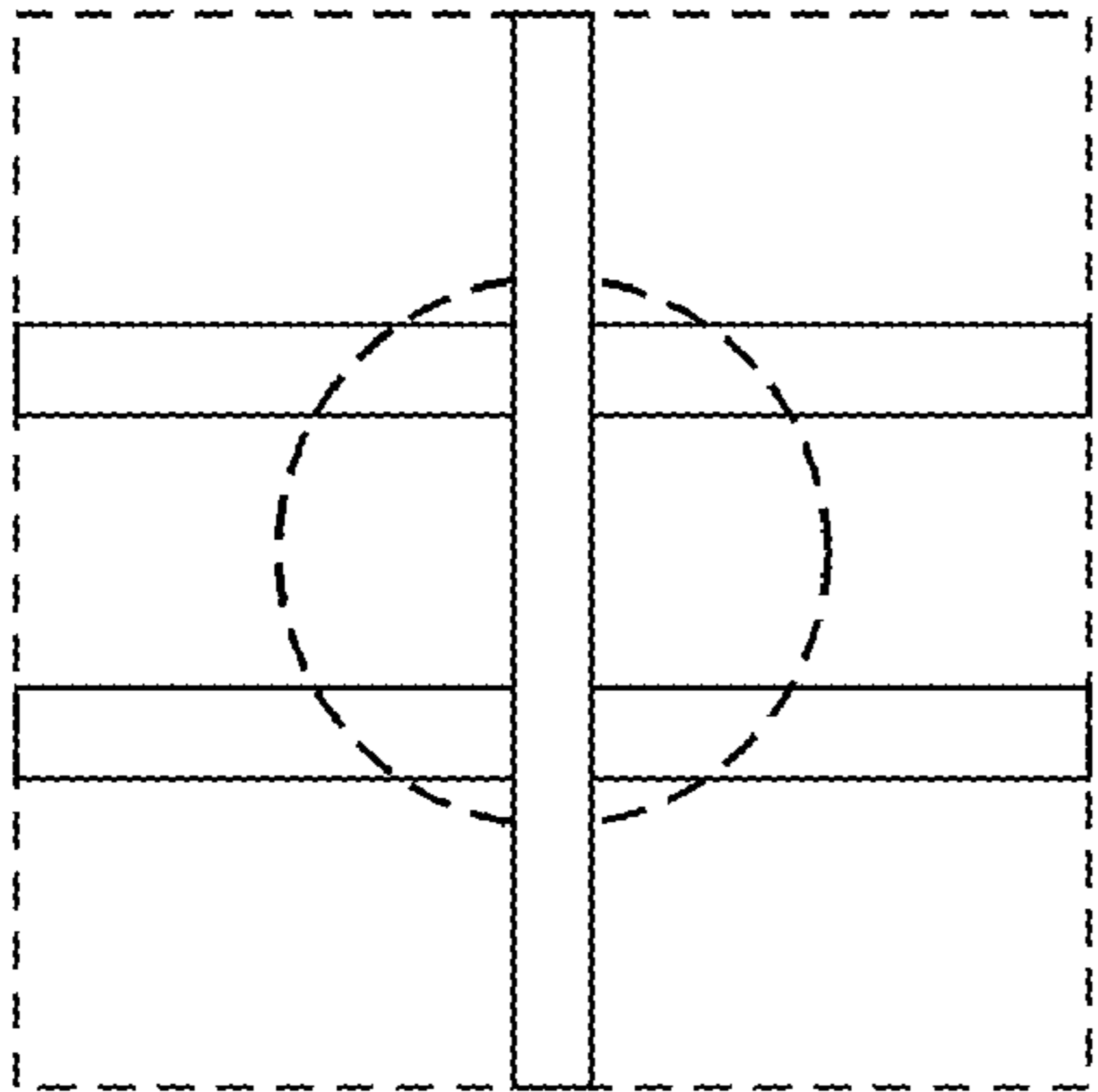


FIG. 9

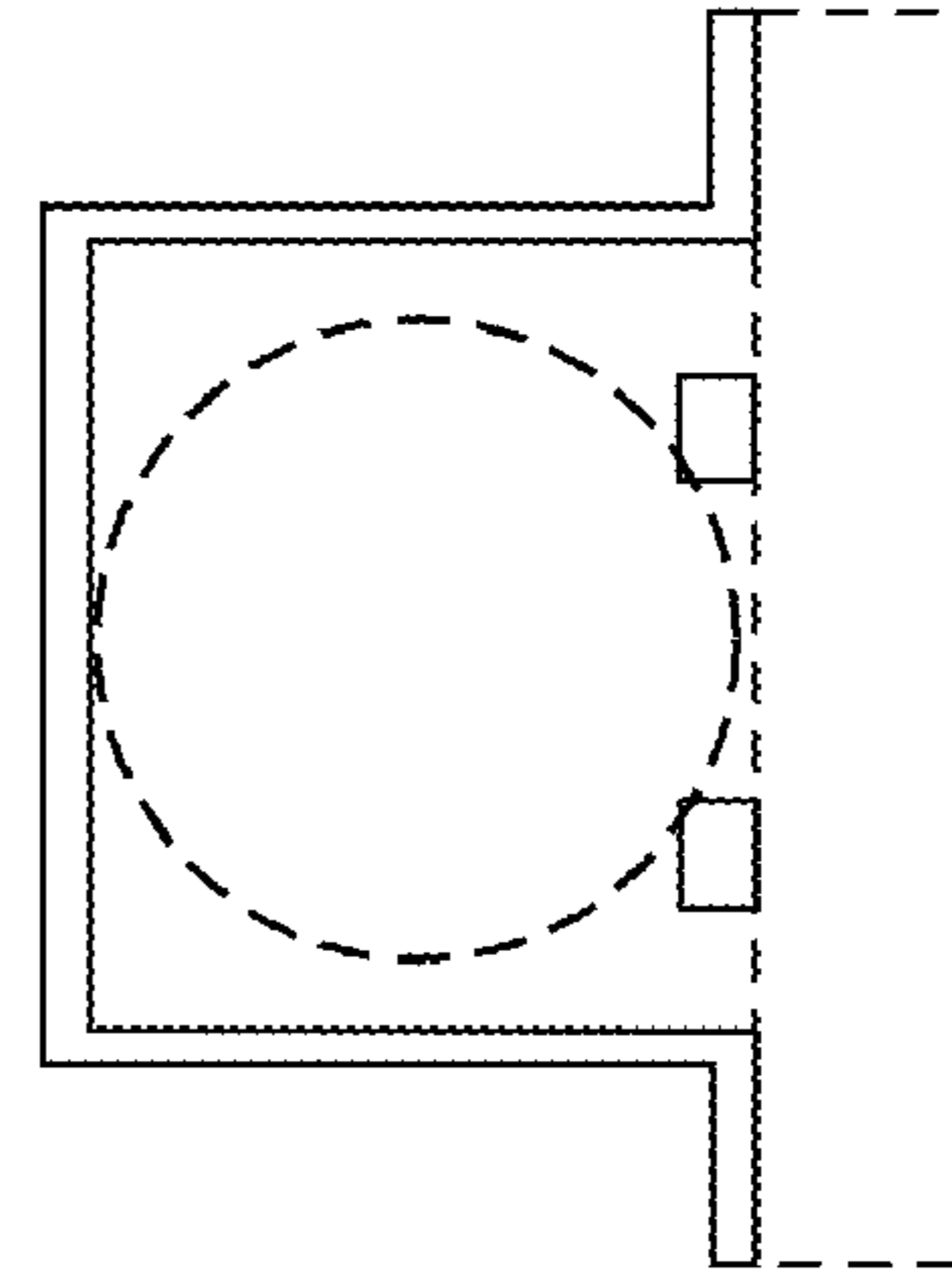


FIG. 10

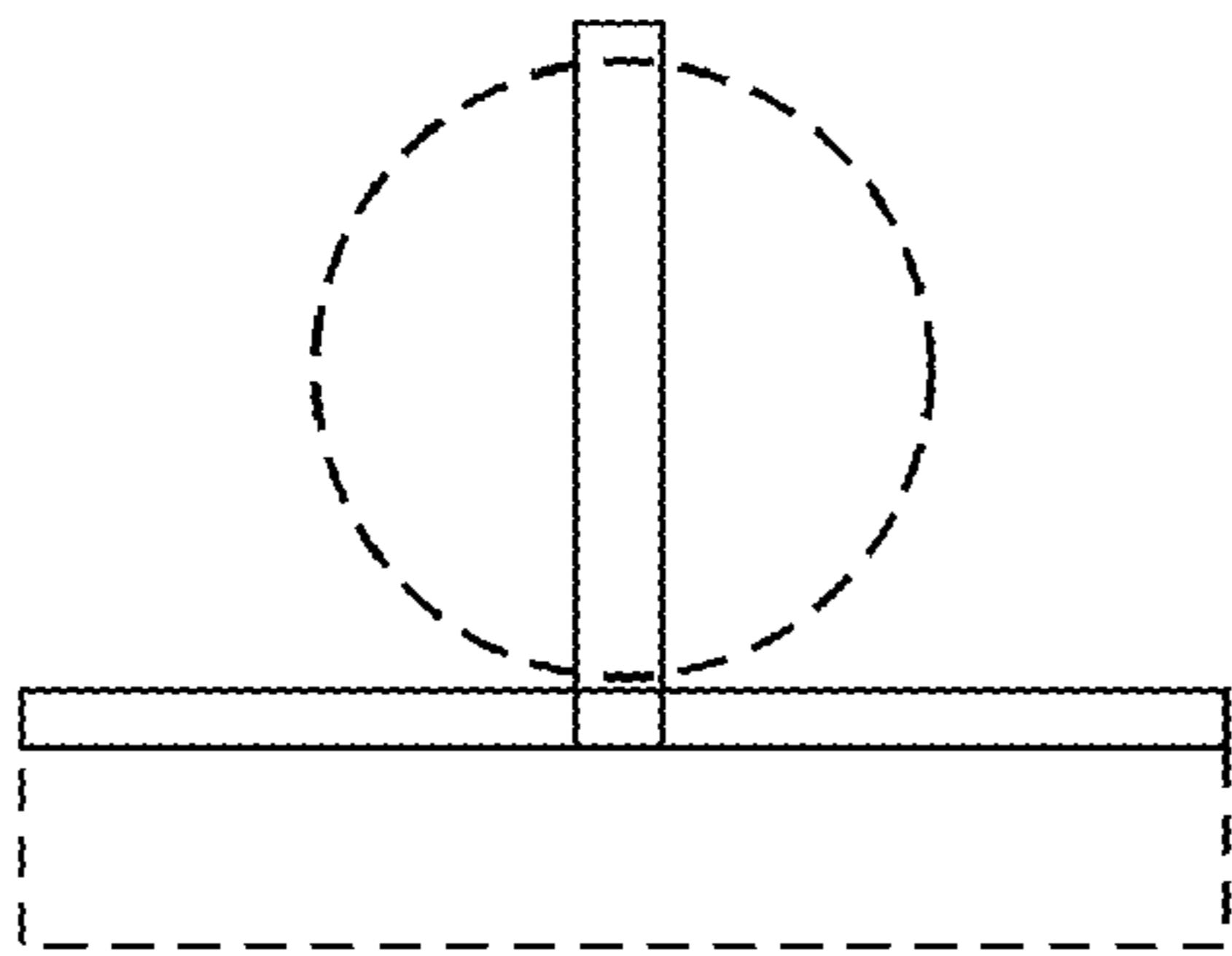


FIG. 11

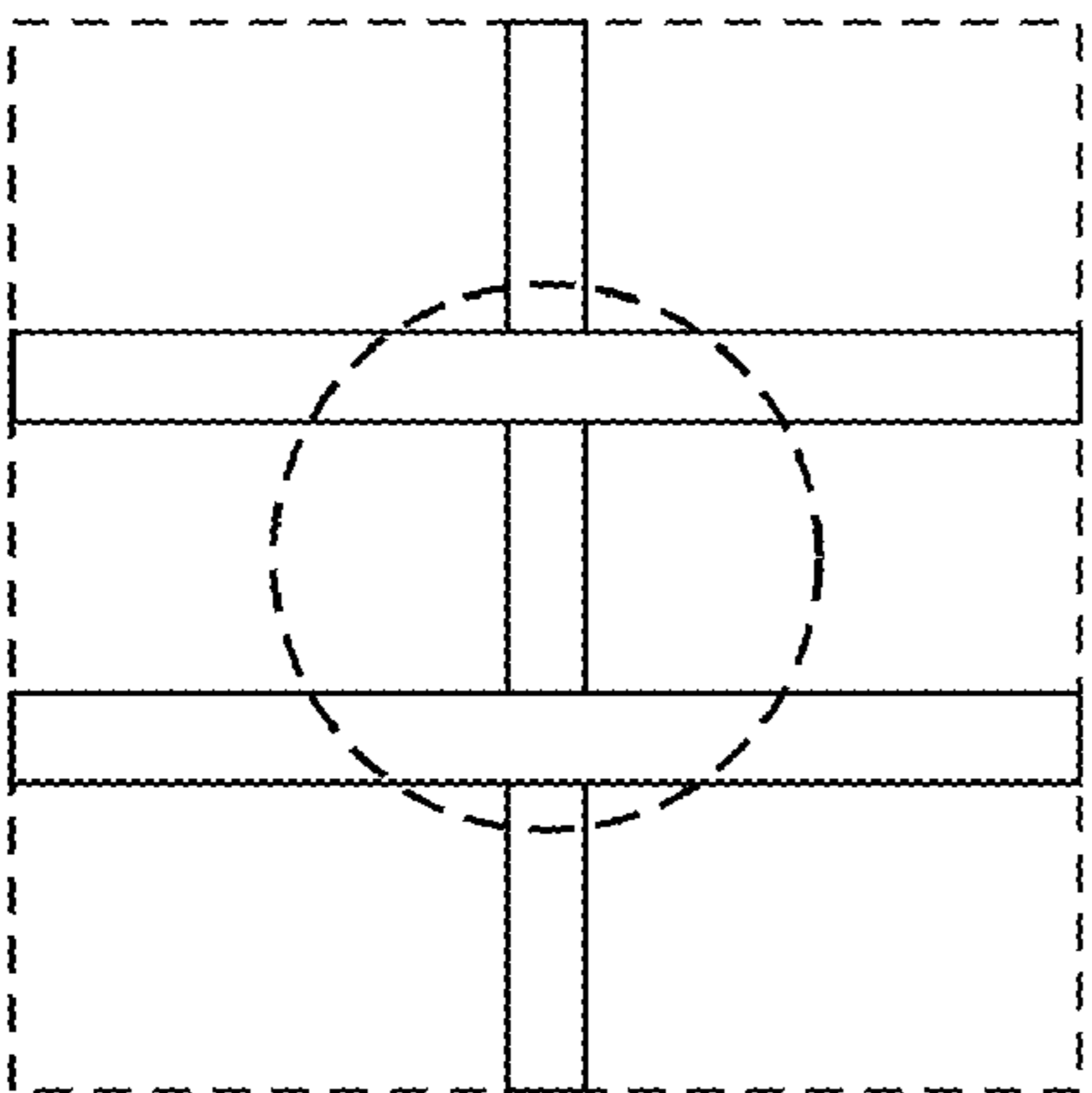


FIG. 12