



US00D652808S

(12) **United States Design Patent**
Chang et al.

(10) **Patent No.:** **US D652,808 S**
(45) **Date of Patent:** **** Jan. 24, 2012**

(54) **LIGHT-EMITTING DIODE ENCAPSULATING STRUCTURE**

(75) Inventors: **Yu-Fen Chang**, Hsinchu (TW); **Te-Wen Kuo**, Hsinchu (TW)

(73) Assignee: **Advanced Optoelectronic Technology, Inc.**, Hsinchu Hsien (TW)

(**) Term: **14 Years**

(21) Appl. No.: **29/391,795**

(22) Filed: **May 13, 2011**

(30) **Foreign Application Priority Data**

Jan. 10, 2011 (CN) 2011 3 0008064

(51) **LOC (9) Cl.** **13-03**

(52) **U.S. Cl.** **D13/180**

(58) **Field of Classification Search** D13/180;
D26/1, 2; 257/79, 80, 81, 88, 89, 95, 98,
257/99, 100, E33.058; 313/483, 498, 500;
362/555, 800

See application file for complete search history.

(56) **References Cited**

U.S. PATENT DOCUMENTS

D622,680 S * 8/2010 Lin et al. D13/180
D627,310 S * 11/2010 Lin et al. D13/180
D640,995 S * 7/2011 Lin et al. D13/180
D640,996 S * 7/2011 Lee et al. D13/180

D644,617 S * 9/2011 Nishino et al. D13/180
D645,424 S * 9/2011 Lee et al. D13/180
D645,425 S * 9/2011 Lin et al. D13/180
D647,070 S * 10/2011 Huang et al. D13/180
2011/0127566 A1* 6/2011 Yoon 257/99
2011/0186873 A1* 8/2011 Emerson 257/88
2011/0241030 A1* 10/2011 Kim 257/88

* cited by examiner

Primary Examiner — Selina Sikder

(74) *Attorney, Agent, or Firm* — Altis Law Group, Inc.

(57) **CLAIM**

The ornamental design for a light-emitting diode encapsulating structure, as shown and described.

DESCRIPTION

FIG. 1 is a perspective view of a light-emitting diode encapsulating structure showing our new design.

FIG. 2 is a front elevational view of the light-emitting diode encapsulating structure of FIG. 1.

FIG. 3 is a rear elevational view of the light-emitting diode encapsulating structure of FIG. 1.

FIG. 4 is a left-side, elevational view of the light-emitting diode encapsulating structure of FIG. 1.

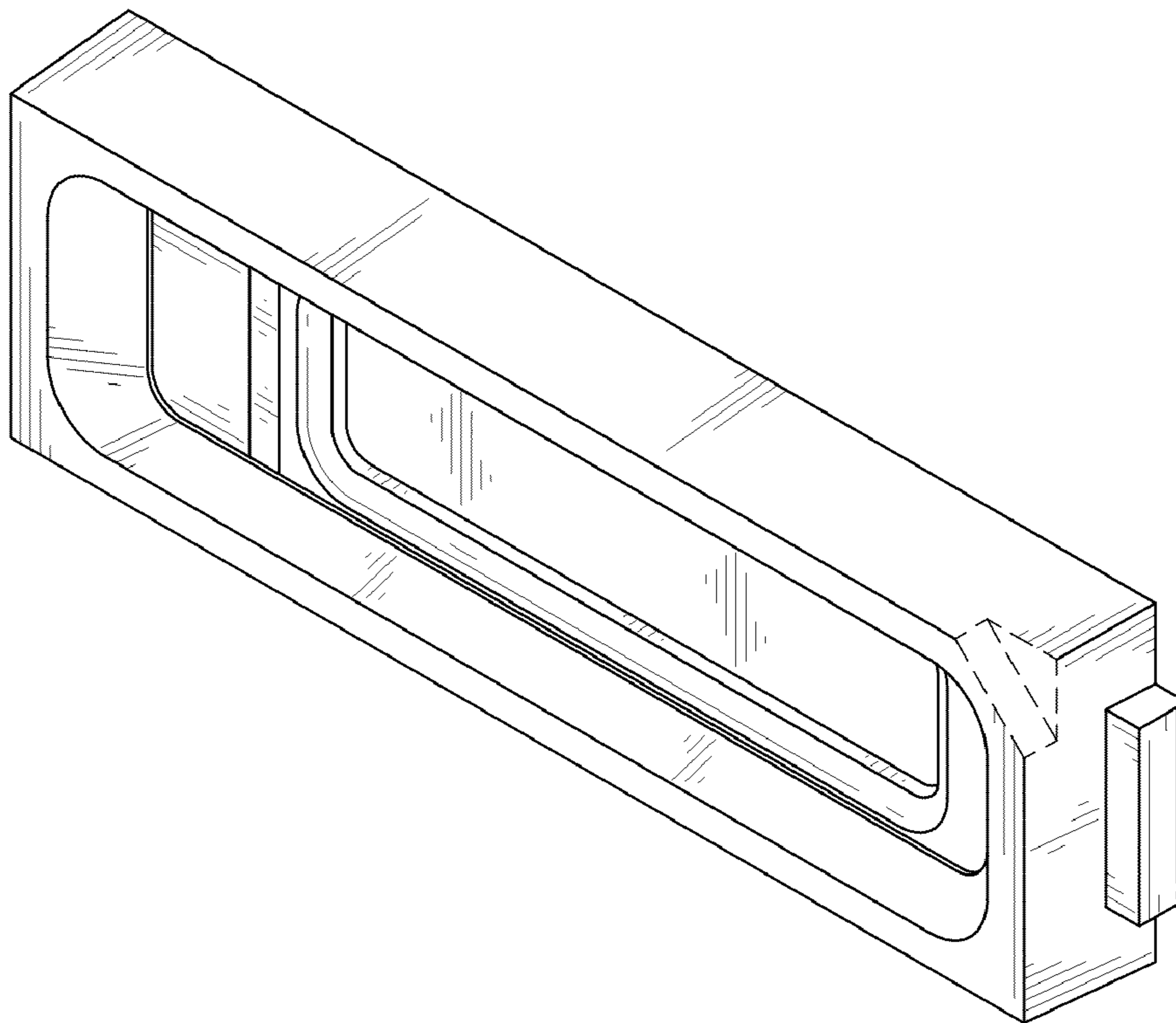
FIG. 5 is a right-side, elevational view of the light-emitting diode encapsulating structure of FIG. 1.

FIG. 6 is a top plan view of the light-emitting diode encapsulating structure of FIG. 1; and,

FIG. 7 is a bottom plan view of the light-emitting diode encapsulating structure of FIG. 1.

The broken line showing of the environment is for illustrative purpose only and forms no part of the claimed design.

1 Claim, 7 Drawing Sheets



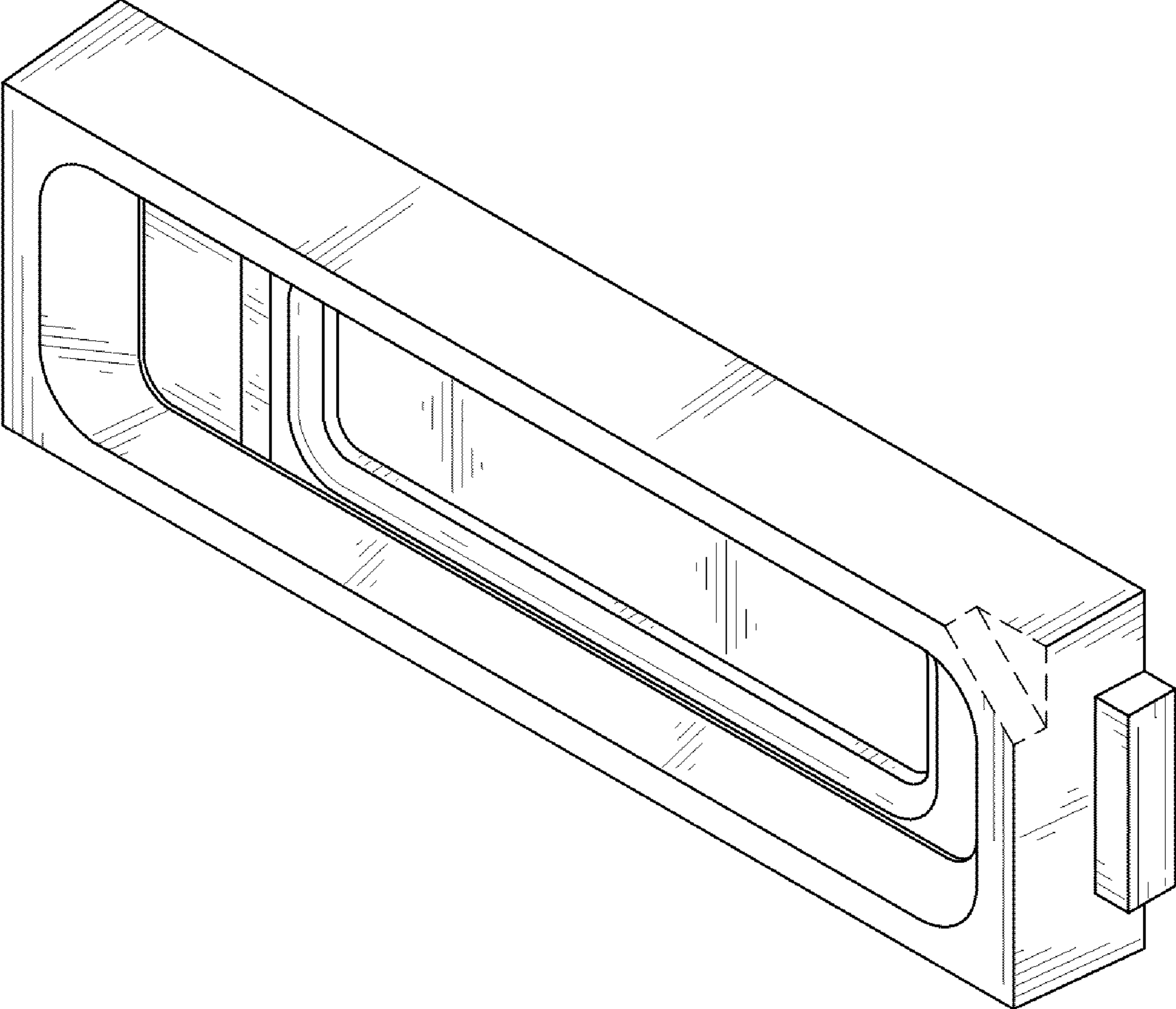


FIG. 1

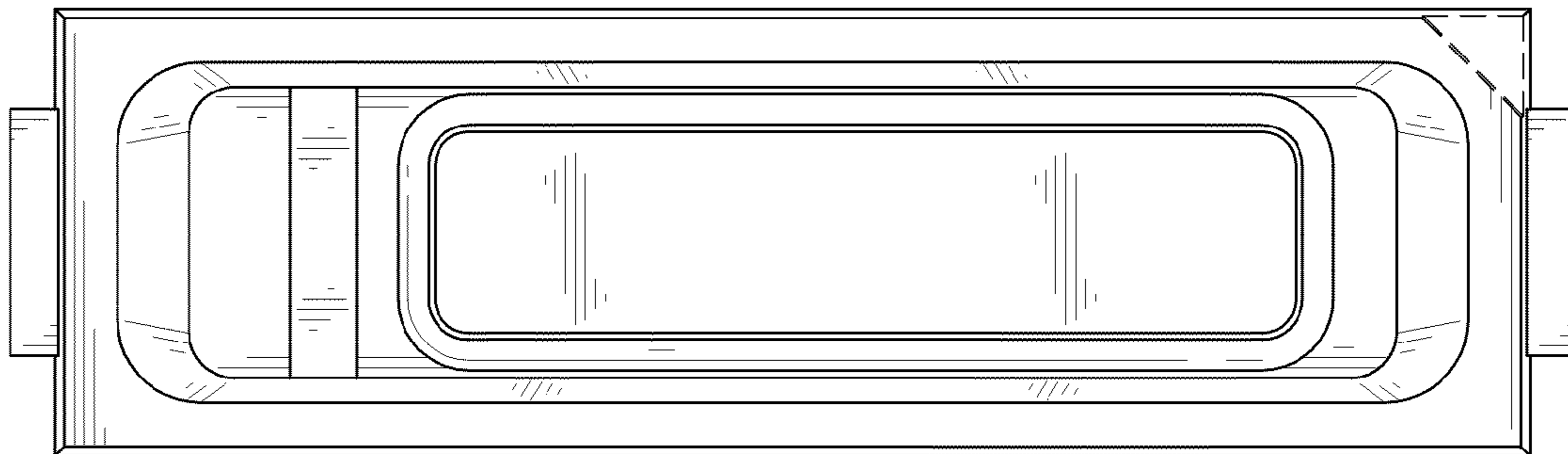


FIG. 2

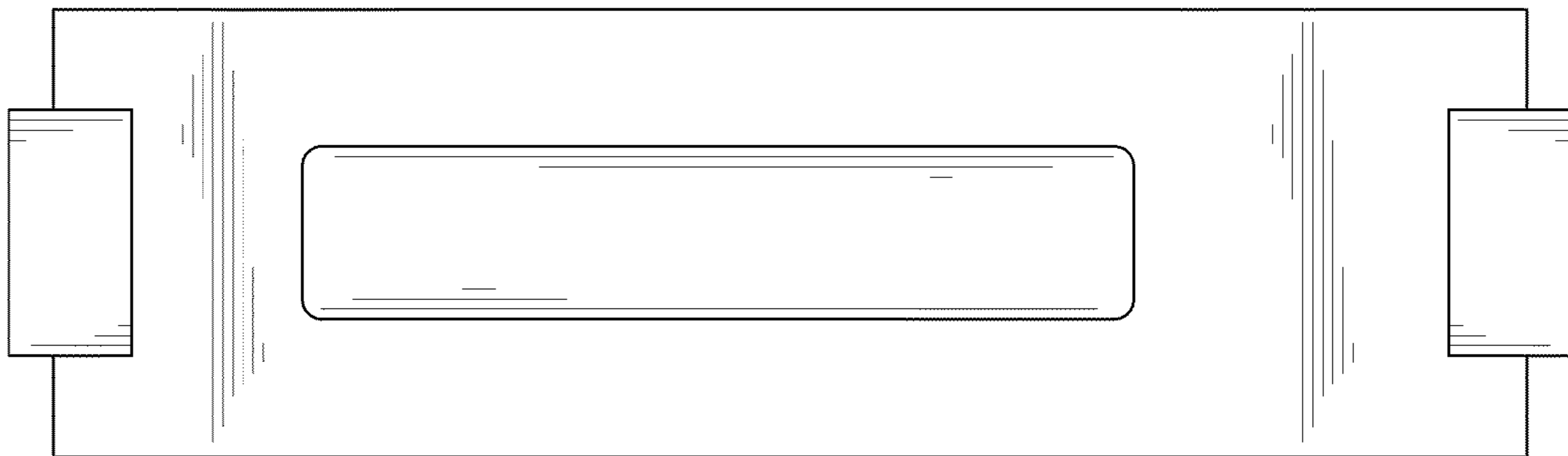


FIG. 3

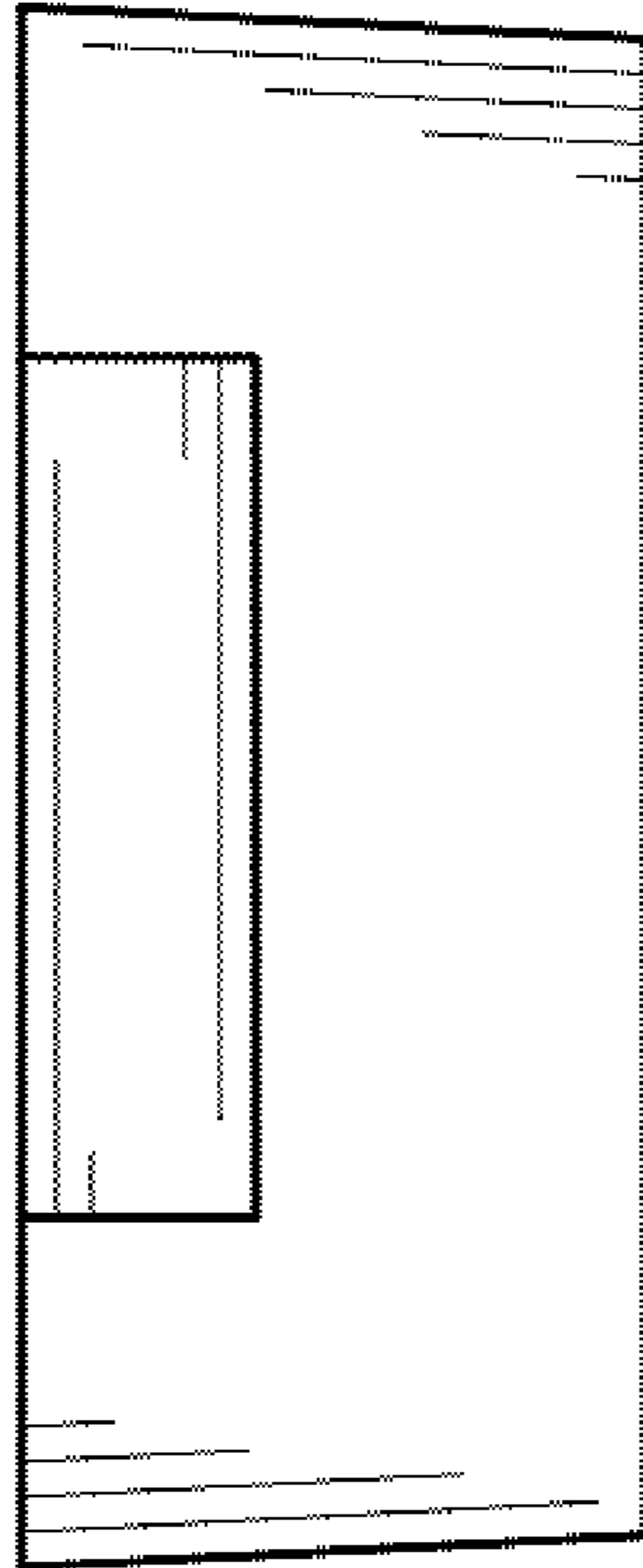


FIG. 4

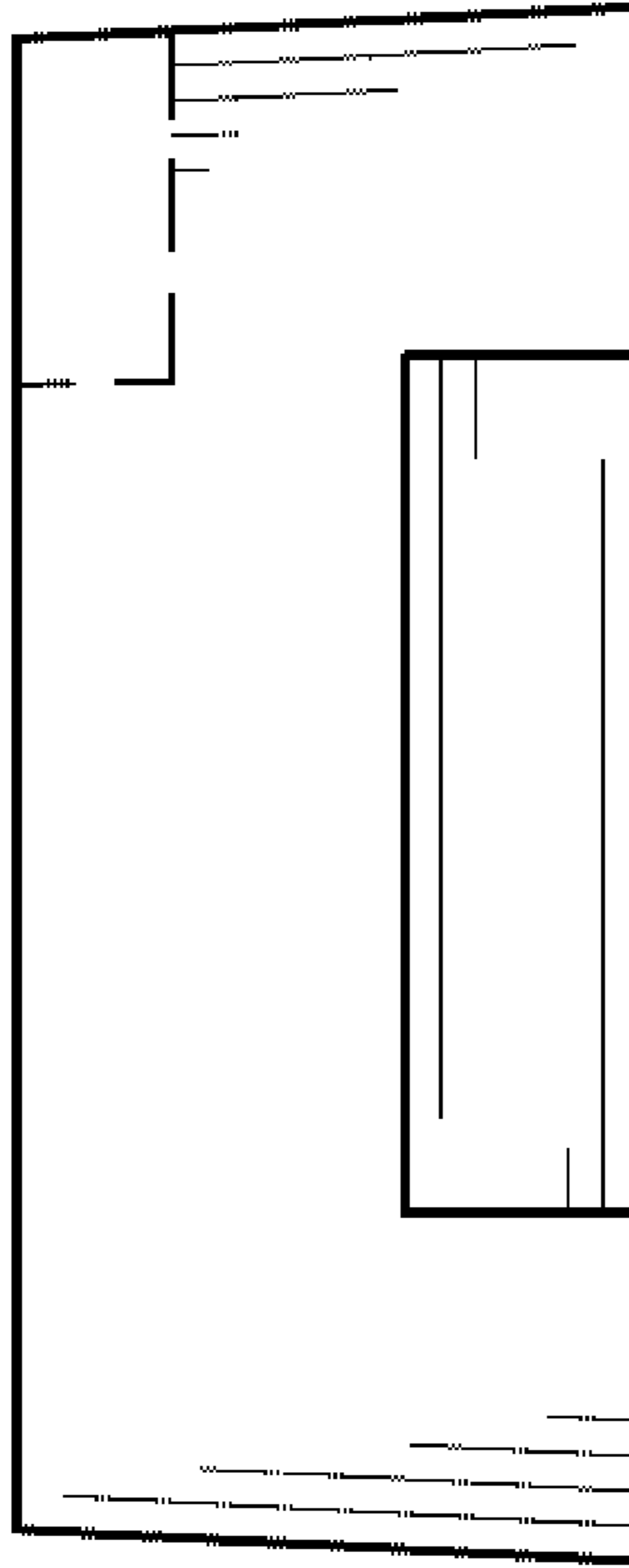


FIG. 5



FIG. 6

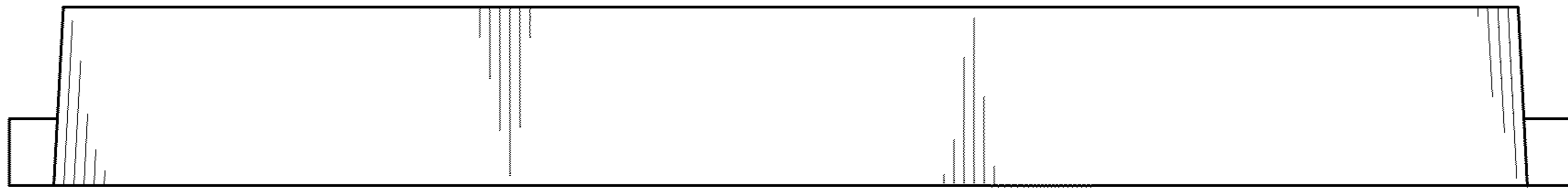


FIG. 7