



US00D652807S

(12) **United States Design Patent**
Fukui et al.

(10) **Patent No.:** **US D652,807 S**
(45) **Date of Patent:** **** Jan. 24, 2012**

(54) **LIGHT EMITTING DIODE**

(75) Inventors: **Kosei Fukui**, Aichi (JP); **Hideki Kokubu**, Aichi (JP); **Toshimasa Hayashi**, Aichi (JP)

(73) Assignee: **Toyoda Gosei Co., Ltd.**, Kiyosu-Shi, Aichi-Ken (JP)

(**) Term: **14 Years**

(21) Appl. No.: **29/371,472**

(22) Filed: **Mar. 11, 2011**

(30) **Foreign Application Priority Data**

Sep. 22, 2010 (JP) D2010-022731

(51) **LOC (9) Cl.** **13-03**

(52) **U.S. Cl.** **D13/180**

(58) **Field of Classification Search** D13/180;
257/79, 80, 81, 88, 89, 95, 98, 99, 100, E33.058;
313/483, 498, 500; 362/555, 800

See application file for complete search history.

(56) **References Cited**

U.S. PATENT DOCUMENTS

D509,487 S *	9/2005	Ishida	D13/180
D578,491 S *	10/2008	Lee et al.	D13/180
D589,911 S *	4/2009	Lee et al.	D13/180
D593,515 S *	6/2009	Nakagawa	D13/180
7,615,799 B2 *	11/2009	Su	257/99
D605,609 S *	12/2009	Lee et al.	D13/180
D608,307 S *	1/2010	Hussell et al.	D13/180
D609,654 S *	2/2010	Hsieh	D13/180
D633,058 S *	2/2011	Lin	D13/180
D635,526 S *	4/2011	Hayashi	D13/180

FOREIGN PATENT DOCUMENTS

JP	1331762 D	6/2008
JP	2010-022730	9/2010

OTHER PUBLICATIONS

Japanese Office Action dated Mar. 4, 2011, with partial English translation.

U.S. Appl. No. 29/371,489, filed Mar. 21, 2011.

* cited by examiner

Primary Examiner — Selina Sikder

(74) *Attorney, Agent, or Firm* — McGinn IP Law Group, PLLC

(57) **CLAIM**

The ornamental design for a light emitting diode, as shown and described.

DESCRIPTION

FIG. 1 is a front perspective view of a light emitting diode showing our new design;

FIG. 2 is a rear perspective view thereof;

FIG. 3 is a front view thereof;

FIG. 4 is a rear view thereof;

FIG. 5 is a top plan view thereof;

FIG. 6 is a bottom view thereof;

FIG. 7 is a right side view thereof;

FIG. 8 is a cross sectional view taken along line 8-8 in FIG. 3;

FIG. 9 is a cross sectional view taken along line 9-9 in FIG. 3;

and,

FIG. 10 is a reference front view showing transparent portion.

Since the left side view is symmetrical to the right side view, the left side view is omitted.

The broken lines are shown for illustrative purposes only and form no part of the claimed design.

1 Claim, 10 Drawing Sheets

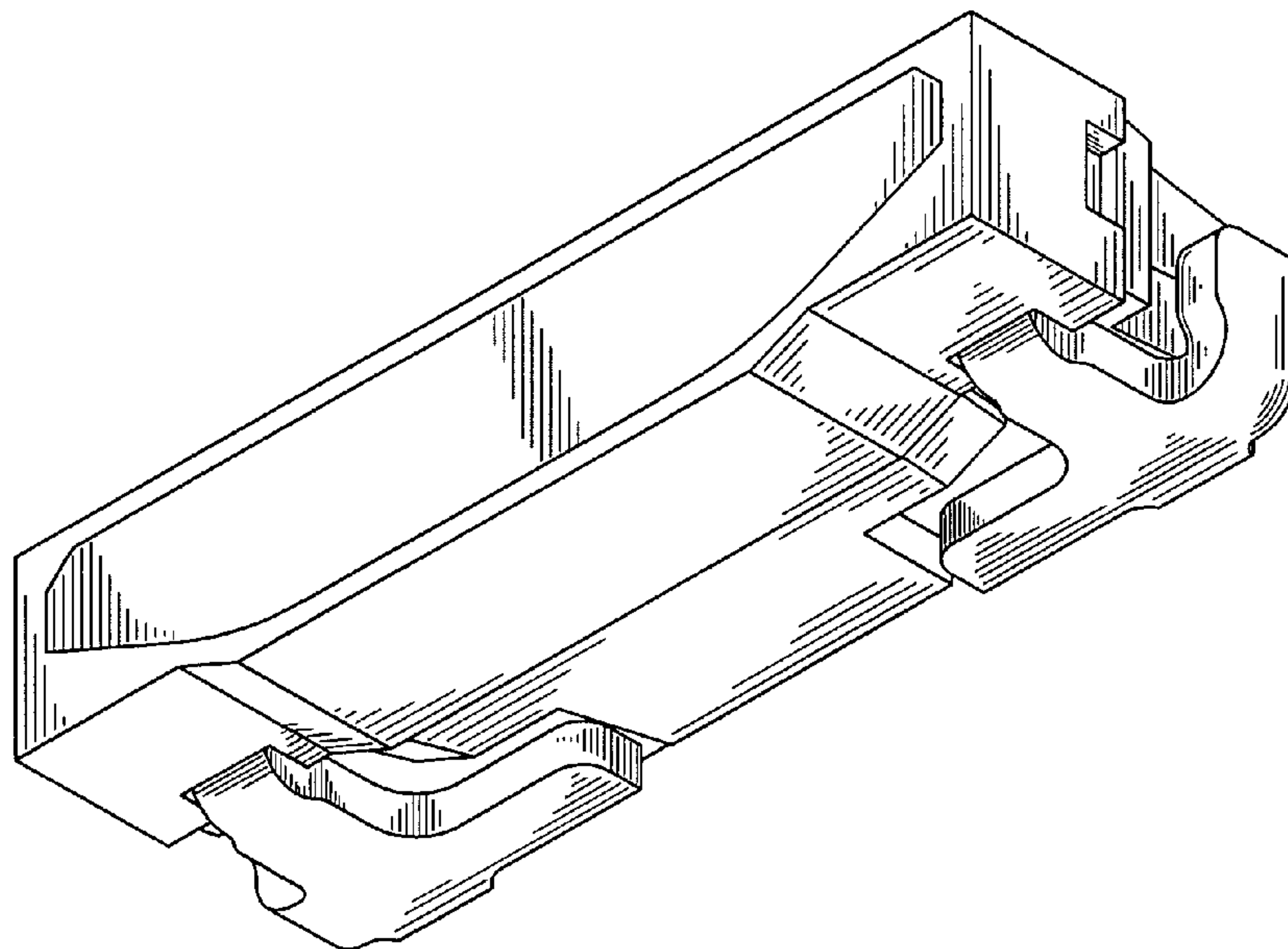


FIG. 1

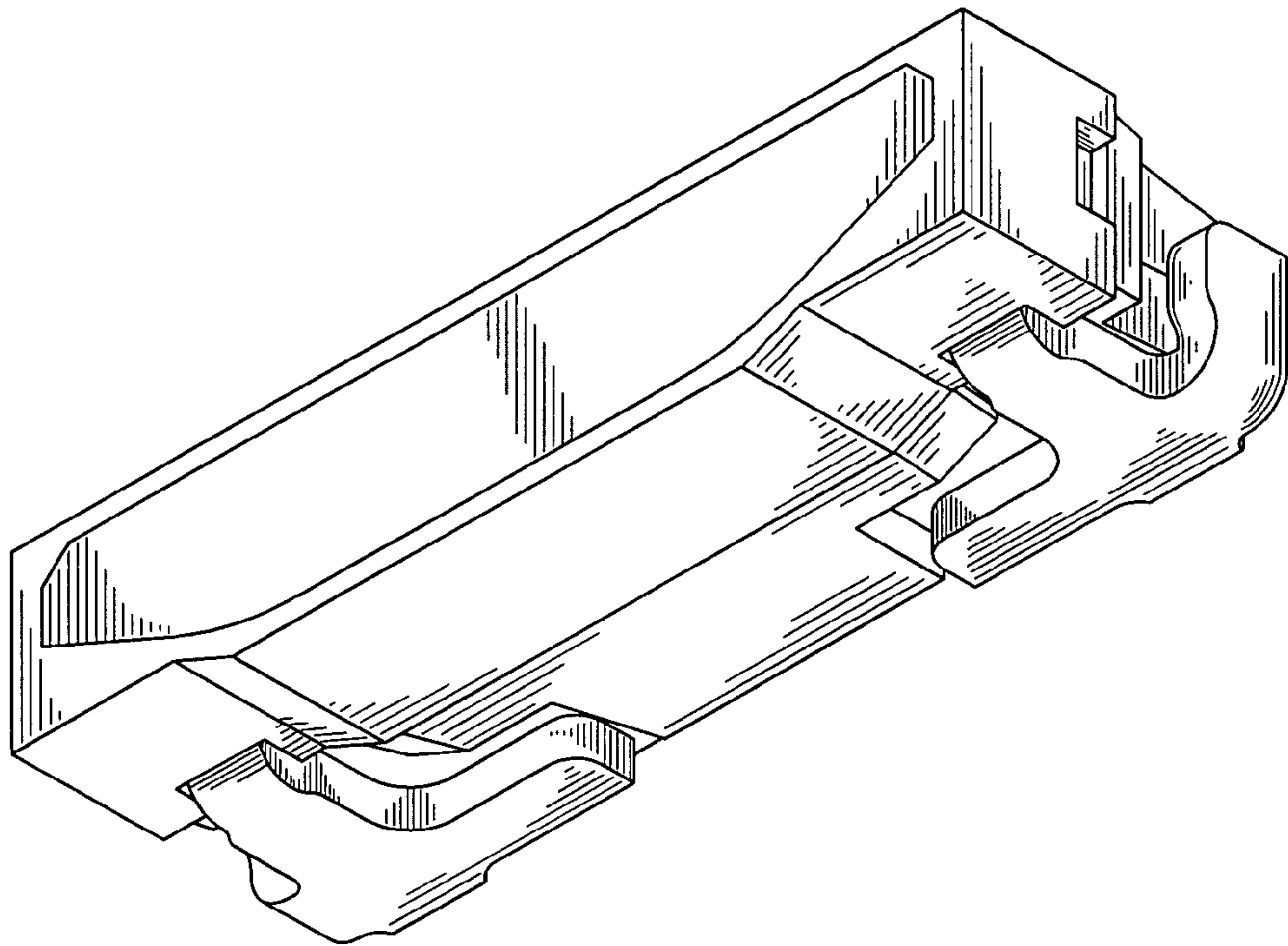


FIG. 2

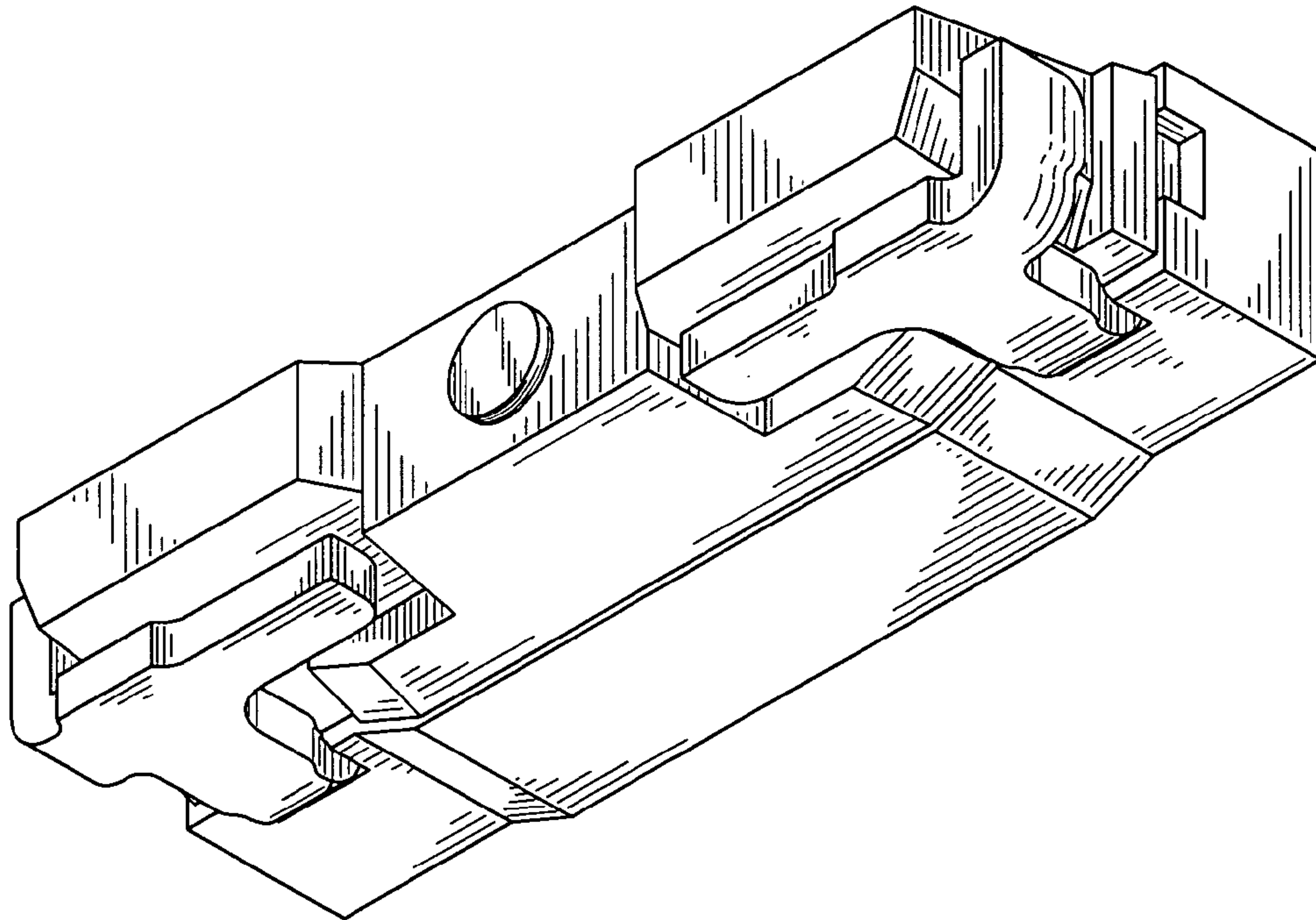


FIG. 3

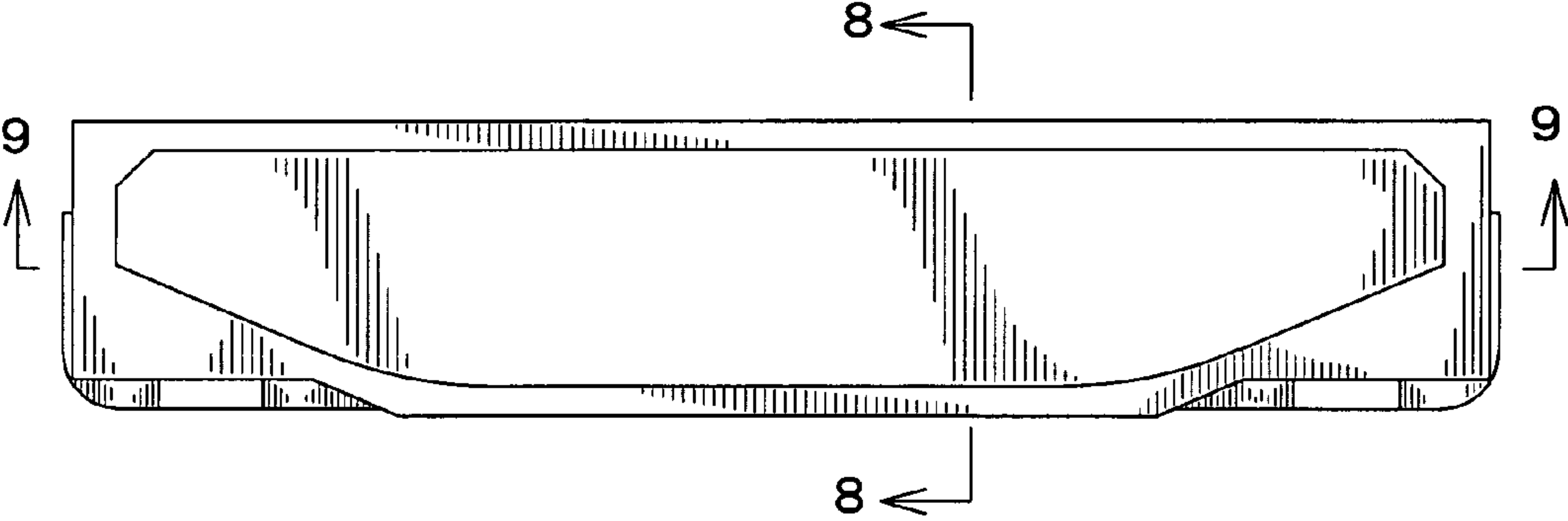


FIG. 4

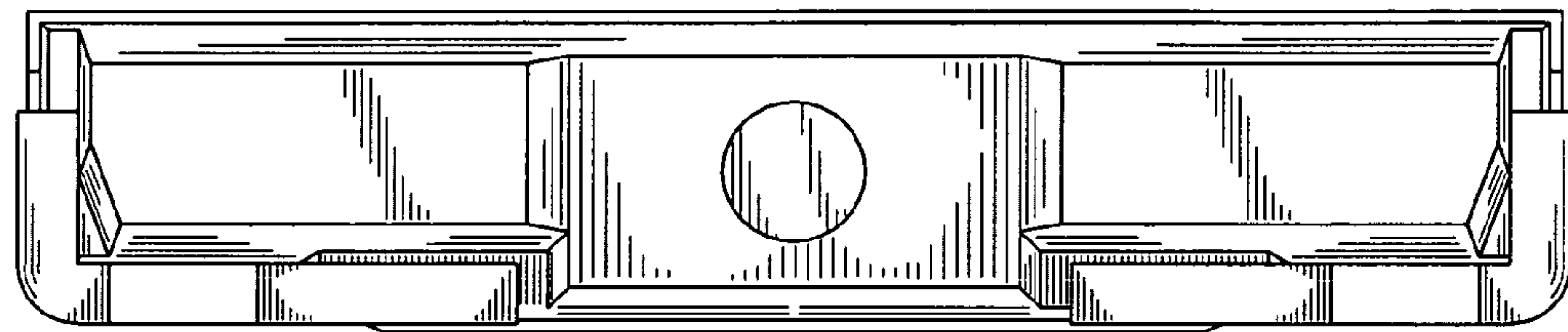


FIG. 5

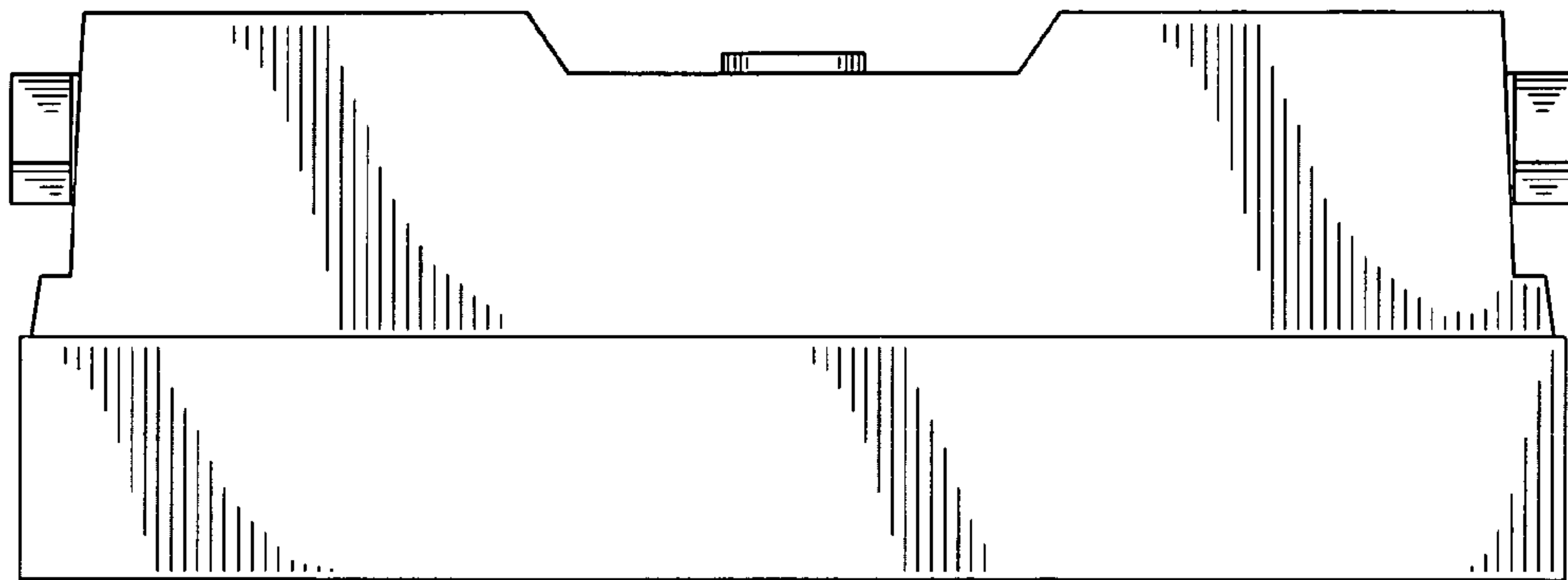


FIG. 6

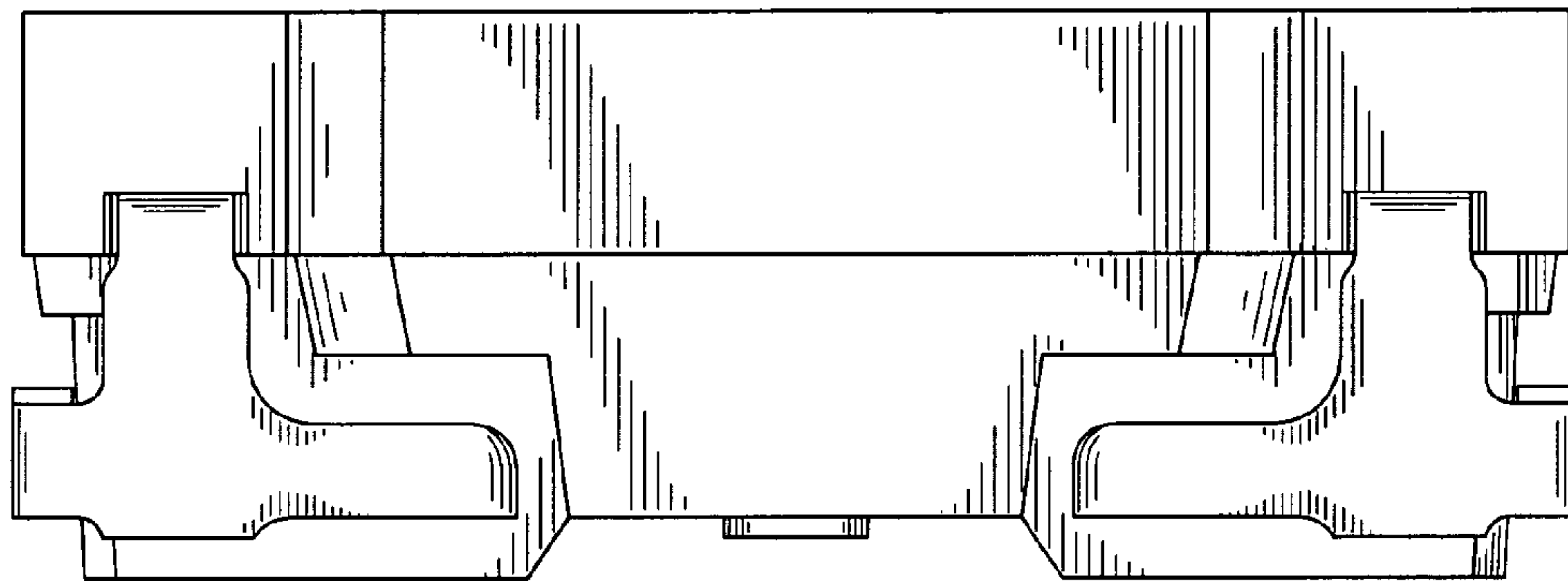


FIG. 7

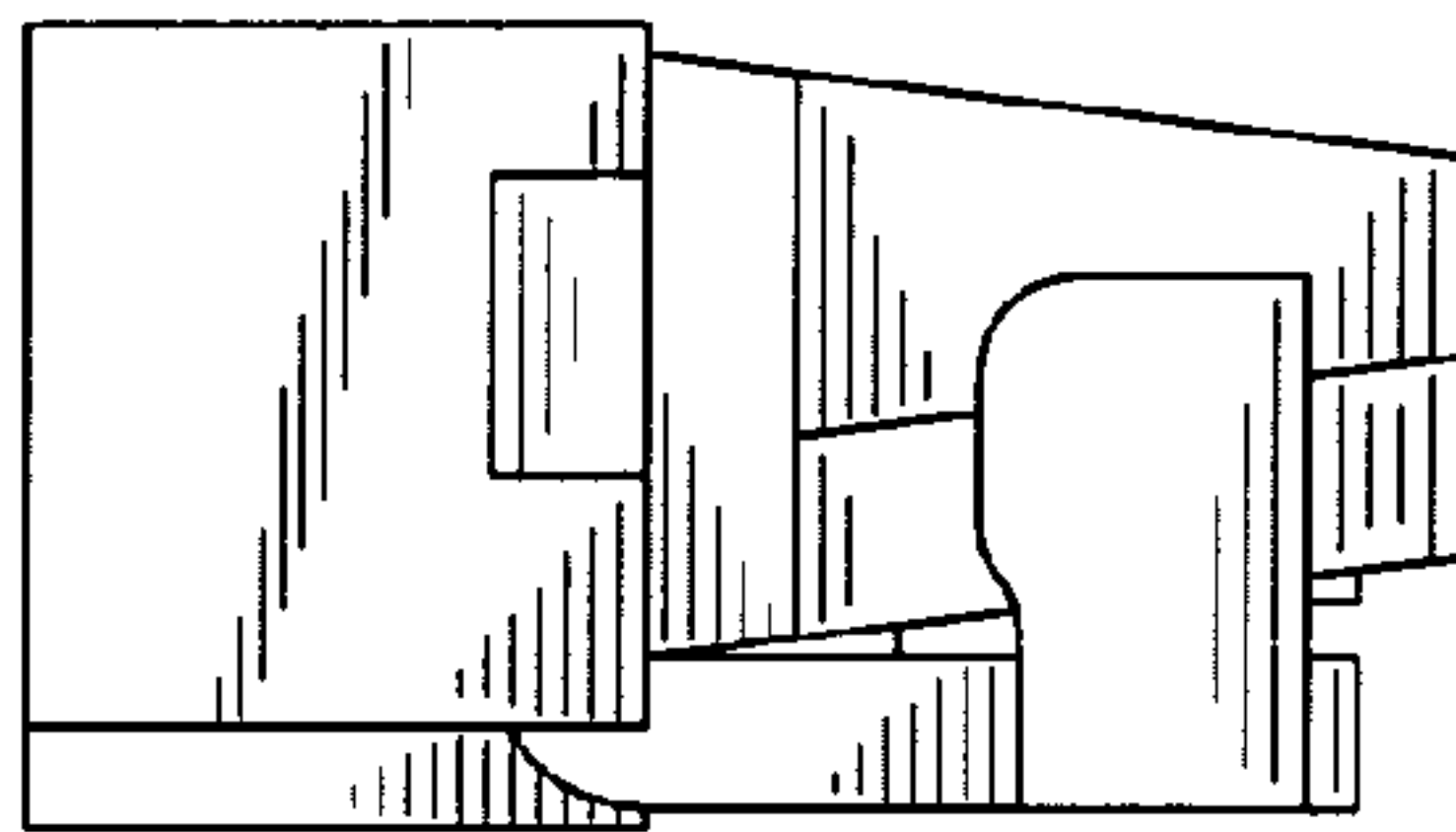


FIG. 8

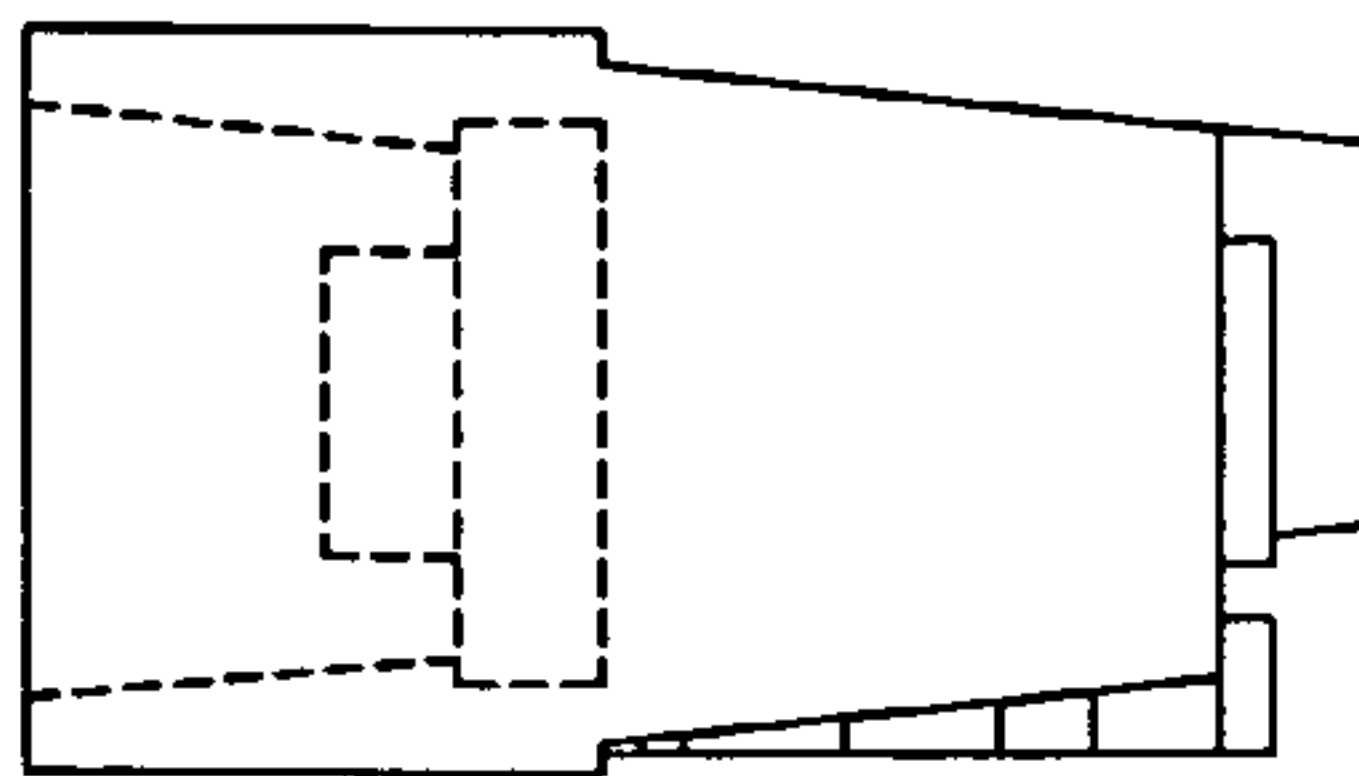


FIG. 9

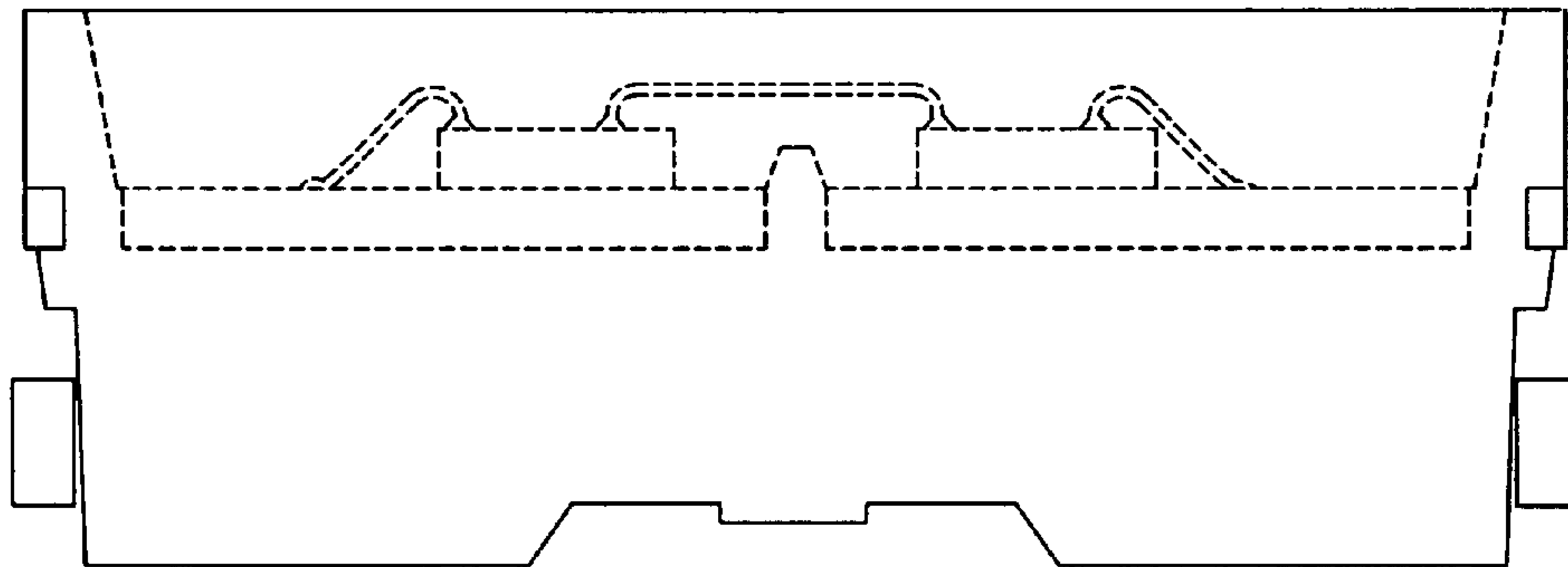


FIG. 10

