



US00D652806S

(12) **United States Design Patent**
Feldstein et al.

(10) **Patent No.:** **US D652,806 S**
(45) **Date of Patent:** **** *Jan. 24, 2012**

(54) **WALL MOUNTED BUTTON PANEL WITH
SPLIT BUTTONS**

(75) Inventors: **George Feldstein**, Rockleigh, NJ (US);
Stan Wisniewski, Pompton Plains, NJ
(US)

(73) Assignee: **Crestron Electronics Inc.**, Rockleigh,
NJ (US)

(*) Notice: This patent is subject to a terminal dis-
claimer.

(**) Term: **14 Years**

(21) Appl. No.: **29/385,743**

(22) Filed: **Feb. 18, 2011**

Related U.S. Application Data

(63) Continuation-in-part of application No. 29/356,069,
filed on Feb. 19, 2010, now Pat. No. Des. 636,738.

(51) **LOC (9) Cl.** **13-03**

(52) **U.S. Cl.** **D13/164; D13/171**

(58) **Field of Classification Search** D13/162,
D13/164, 171, 174; 200/5 R, 5 A, 520, 530,
200/293, 296, 302.2, 308, 310, 314, 329,
200/341; 307/139, 157; 315/209 R, 224,
315/246, 291, 294, 295

See application file for complete search history.

(56) **References Cited**

U.S. PATENT DOCUMENTS

4,529,951 A	7/1985	Youichi
D285,066 S	8/1986	Liss et al.
D287,242 S	12/1986	Liss et al.
4,716,357 A	12/1987	Cooper
4,728,866 A	3/1988	Capewell
4,876,498 A	10/1989	Luchaco
4,888,494 A	12/1989	McNair et al.
4,954,768 A	9/1990	Luchaco et al.
D311,382 S	10/1990	Mayo et al.

D311,485 S	10/1990	Jacoby et al.
D311,678 S	10/1990	Graef et al.
D313,738 S	1/1991	Mayo et al.
D319,429 S	8/1991	D'Aleo et al.
D327,255 S	6/1992	D'Aleo et al.
D331,741 S	* 12/1992	Fujiyoshi D13/169
D331,742 S	* 12/1992	Fujiyoshi D13/169
D331,743 S	* 12/1992	Fujiyoshi D13/169
D336,744 S	6/1993	Kahn et al.
5,260,669 A	11/1993	Higgins et al.
D344,264 S	2/1994	D'Aleo et al.
5,289,043 A	2/1994	Marshall et al.
5,293,308 A	3/1994	Boys et al.
D353,798 S	12/1994	Bryde
5,399,926 A	3/1995	Adams et al.
5,430,356 A	7/1995	Ference
5,463,286 A	10/1995	D'Aleo et al.
5,485,058 A	* 1/1996	Watson et al. 315/194
5,608,196 A	3/1997	Hall
5,670,858 A	9/1997	Heath

(Continued)

OTHER PUBLICATIONS

Crestron Electronics, Inc., Cameo Keypads Operations and Installa-
tion Guide, Feb. 2006, pp. front, cover, i, 1-8, rear cover.

Primary Examiner — Selina Sikder

(57) **CLAIM**

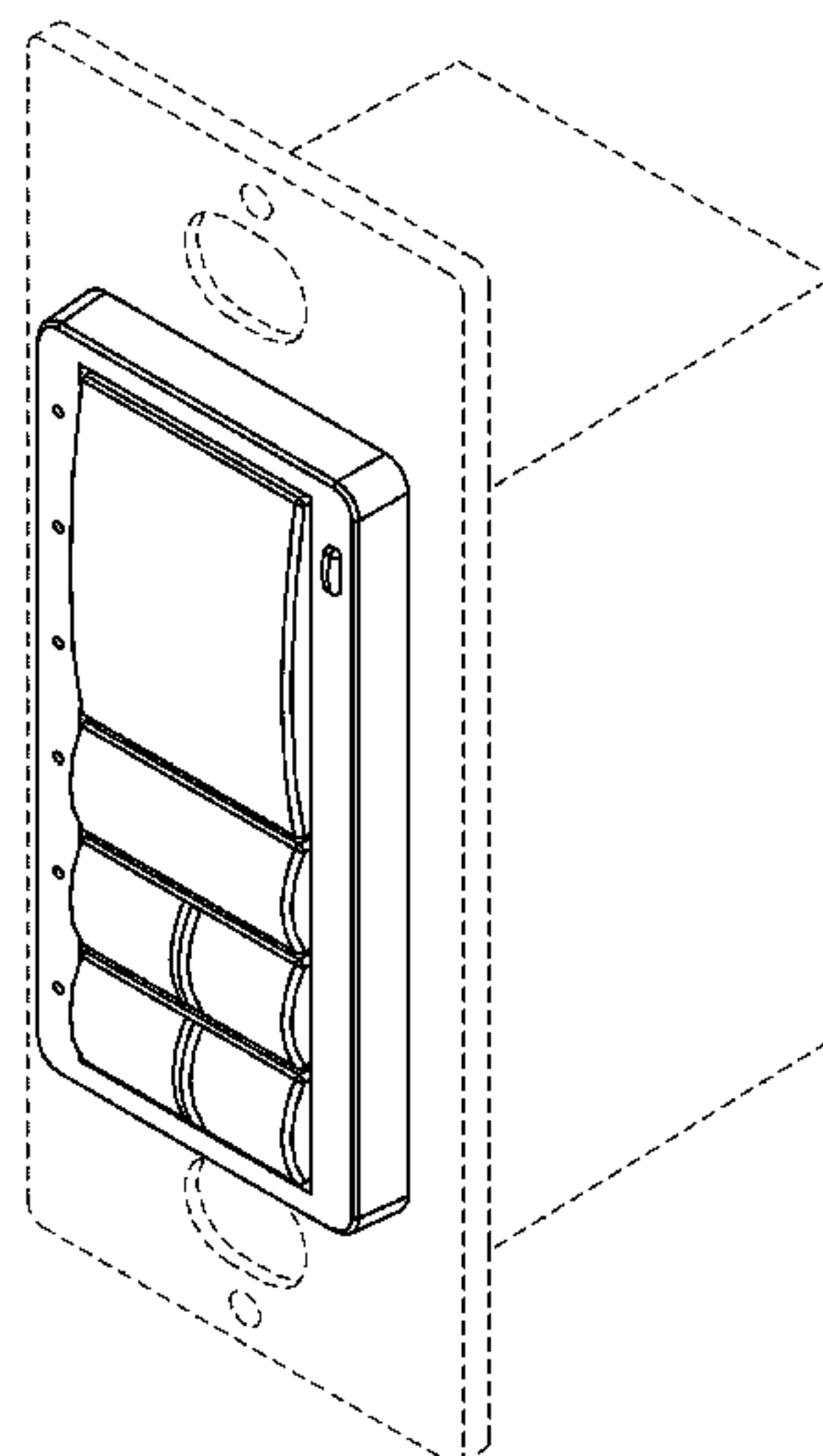
The ornamental design for a wall mounted button panel with
split buttons, as shown and described.

DESCRIPTION

FIG. 1 is a front elevation view of a wall mounted button panel
with split buttons, showing our new design;
FIG. 2 is an isometric projection thereof;
FIG. 3 is a left side elevational view thereof;
FIG. 4 is a right side elevation view thereof;
FIG. 5 is a top plan view thereof; and,
FIG. 6 is a bottom plan view thereof.

The broken line portion of the figure drawings is included to
show unclaimed subject matter only and forms no part of the
claimed design.

1 Claim, 4 Drawing Sheets



US D652,806 S

U.S. PATENT DOCUMENTS					
D389,461 S	1/1998	Mayo et al.	D552,042 S	10/2007	Mayo et al.
D389,805 S	1/1998	Mayo et al.	D557,662 S	12/2007	Spira
D395,037 S	6/1998	Mayo et al.	D557,664 S	12/2007	Hewson et al.
D404,013 S	1/1999	Mayo et al.	D557,665 S	12/2007	Hewson et al.
5,903,139 A	5/1999	Kompelien	D572,664 S	7/2008	Hollner et al.
D412,315 S	7/1999	Mayo et al.	D572,665 S	7/2008	Hollner et al.
D421,246 S	2/2000	Mayo et al.	D572,666 S	7/2008	Biery et al.
D422,567 S	4/2000	Mayo	D573,546 S	7/2008	Hollner
6,091,205 A	7/2000	Newman, Jr. et al.	D573,956 S	7/2008	Hollner et al.
D428,855 S	8/2000	Mayo et al.	D574,787 S	8/2008	Hollner
6,120,262 A	9/2000	McDonough et al.	D576,958 S	9/2008	Hollner
D436,930 S	1/2001	Butler	D580,881 S	11/2008	Hollner
D437,585 S	2/2001	Mayo	D580,882 S	11/2008	Hollner
D437,834 S	2/2001	Mayo et al.	D580,883 S	11/2008	Hollner
6,218,787 B1	4/2001	Murcko et al.	D580,884 S	11/2008	Hollner
D441,723 S	5/2001	Mayo et al.	D585,840 S	2/2009	Hollner
D442,558 S	5/2001	Mayo et al.	D585,841 S	2/2009	Hollner
D450,043 S	11/2001	Mosebrook	D586,760 S	2/2009	Hollner et al.
D453,742 S	2/2002	Butler	D588,070 S	3/2009	Hollner et al.
6,356,038 B2	3/2002	Bishel	D588,071 S	3/2009	Hollner et al.
6,380,696 B1 *	4/2002	Sembhi et al. 315/294	D588,072 S	3/2009	Hollner et al.
D456,783 S	5/2002	Mayo et al.	D588,073 S	3/2009	Hollner et al.
D461,782 S	8/2002	Butler et al.	D588,074 S	3/2009	Hollner
D465,460 S	11/2002	Mayo	D588,075 S	3/2009	Hollner
D466,090 S	11/2002	Bennett	D588,553 S	3/2009	Hollner et al.
D466,091 S	11/2002	Bennett	D595,663 S	7/2009	Hollner
D466,484 S	12/2002	Bennett	D595,665 S	7/2009	Hollner
6,545,434 B2	4/2003	Sembhi et al.	D595,666 S	7/2009	Hollner
D475,024 S	5/2003	Bennett	D596,140 S	7/2009	Hollner
D475,025 S	5/2003	Bennett	7,609,007 B1	10/2009	Kumar
D490,061 S	5/2004	Bennett	D604,743 S	11/2009	Altonen et al.
D510,074 S	9/2005	Larson et al.	D612,400 S	3/2010	Altonen et al.
6,969,959 B2	11/2005	Black et al.	D613,305 S	4/2010	Altonen et al.
D516,041 S	2/2006	Hobart et al.	7,796,057 B2 *	9/2010	Swatsky et al. 341/23
D519,939 S *	5/2006	Hedderich et al. D13/164	D624,881 S	10/2010	Altonen et al.
D535,950 S	1/2007	Alker et al.	D624,882 S	10/2010	Altonen et al.
D538,238 S	3/2007	Alker et al.	D625,273 S *	10/2010	Felegy et al. D13/168
D539,758 S	4/2007	Blair et al.	D625,274 S	10/2010	Felegy
D542,226 S	5/2007	Spira	D626,092 S	10/2010	Clymer
D542,227 S	5/2007	Larson et al.	D633,448 S	3/2011	Biery et al.
D542,229 S	5/2007	Larson et al.	D636,738 S *	4/2011	Feldstein et al. D13/164
D543,158 S *	5/2007	Blair et al. D13/162	7,928,663 B1	4/2011	Kumar
D546,294 S	7/2007	Mayo et al.	2002/0060530 A1	5/2002	Sembhi
D546,776 S	7/2007	Miarta et al.	2002/0067144 A1 *	6/2002	Hoffknecht et al. 315/291
D547,733 S	7/2007	Mayo et al.	2005/0275354 A1	12/2005	Hausman et al.
D547,734 S	7/2007	Mayo et al.	2005/0284738 A1	12/2005	Altonen
D550,163 S	9/2007	Mayo et al.	2006/0255745 A1	11/2006	DeJonge
D550,164 S	9/2007	Mayo et al.	2007/0001654 A1	1/2007	Newman
D550,165 S	9/2007	Mayo et al.	2007/0285027 A1	12/2007	Gehman
D550,166 S	9/2007	Mayo et al.	2008/0024074 A1	1/2008	Mosebrook
D551,177 S	9/2007	Larson et al.	2008/0111501 A1	5/2008	Dobbins et al.
D551,178 S	9/2007	Mayo et al.	2008/0237010 A1	10/2008	Patel et al.
D551,179 S	9/2007	Mayo et al.	2009/0039854 A1	2/2009	Blakeley
D551,630 S	9/2007	Larson et al.	2009/0108765 A1	4/2009	Weightman et al.
D551,631 S	9/2007	Mayo et al.	2010/0214756 A1	8/2010	Feldstein

* cited by examiner

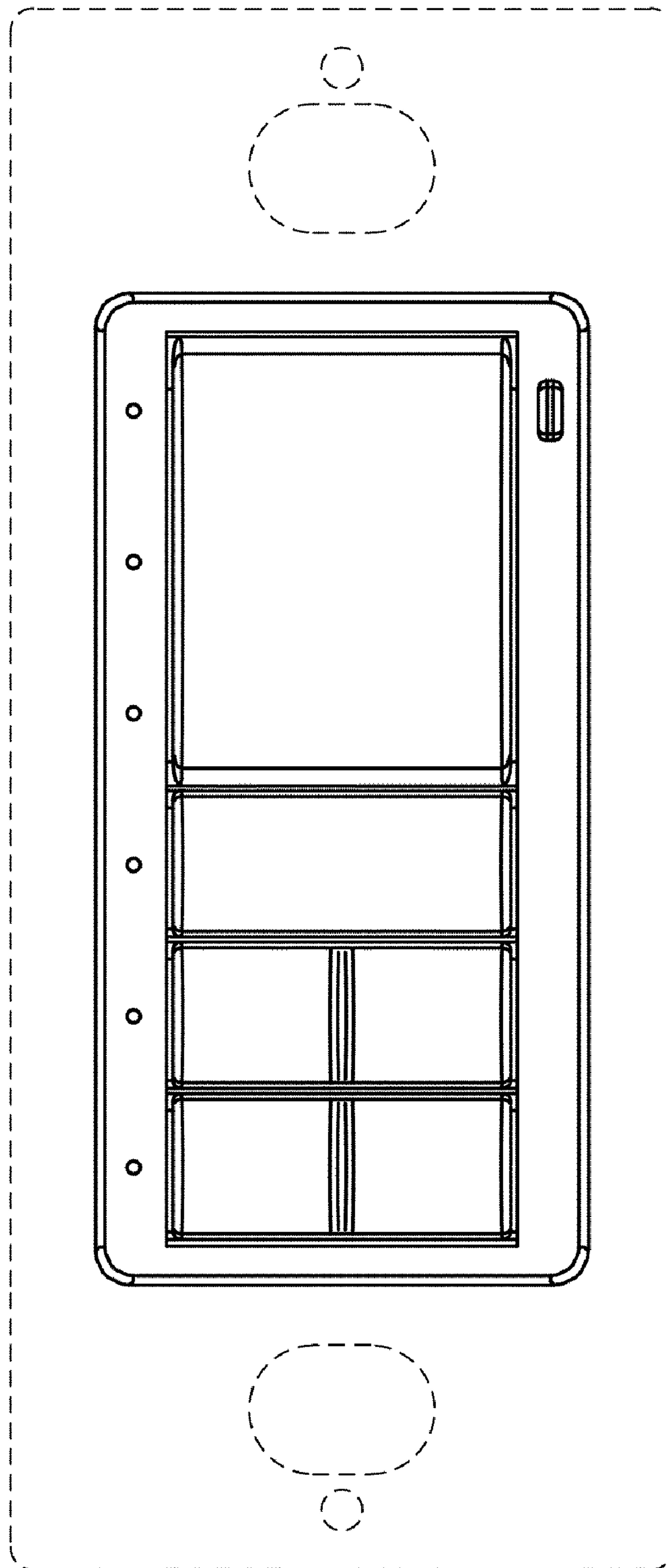


FIG. 1

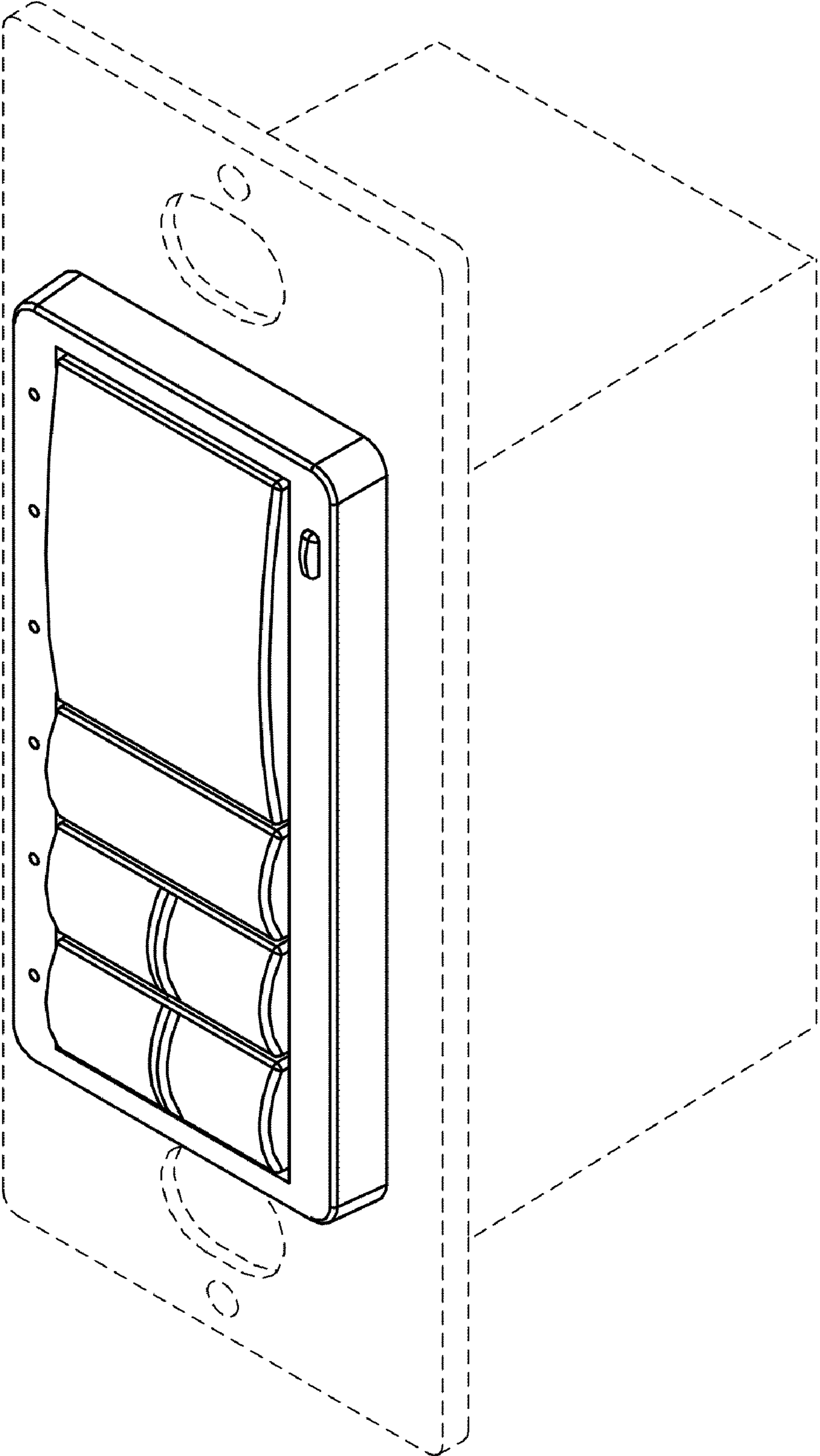


FIG. 2

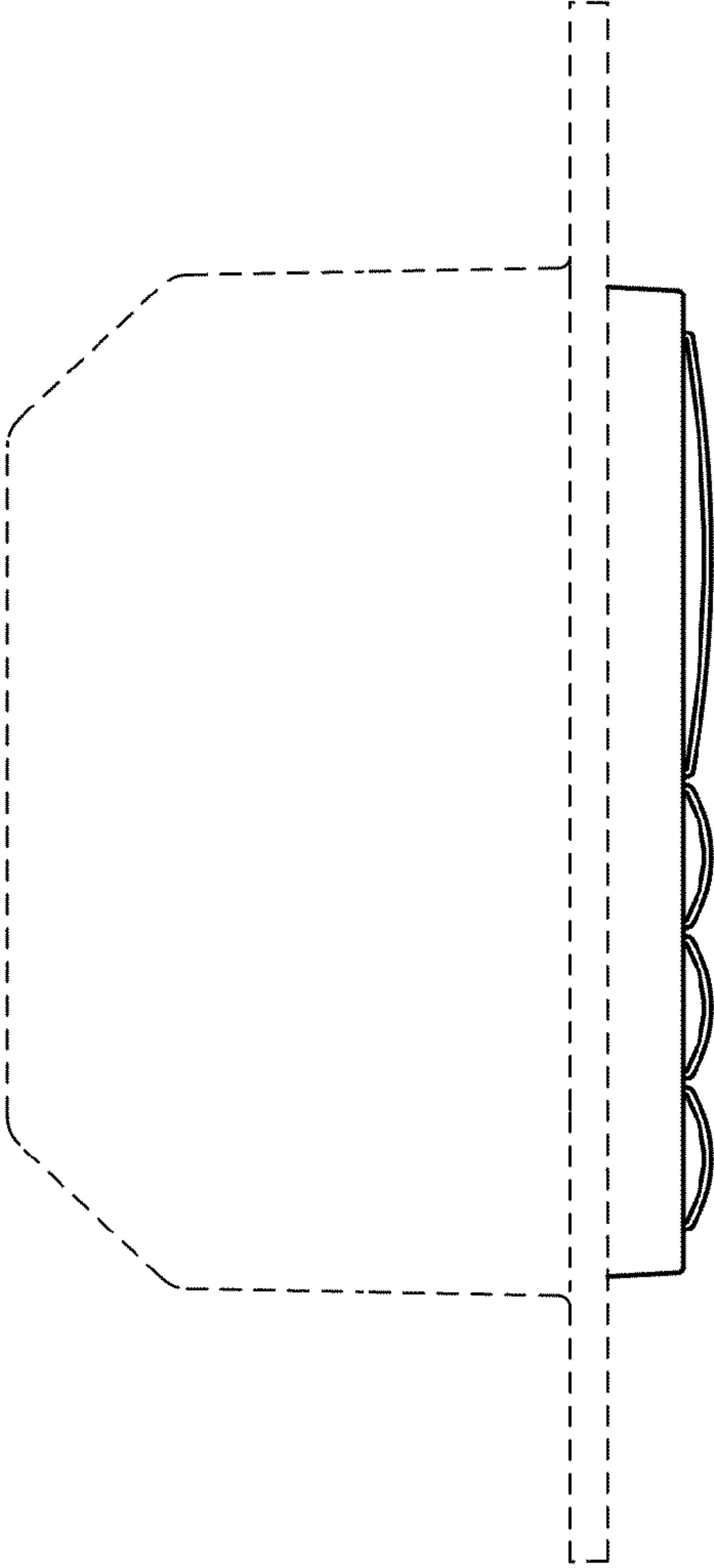


FIG. 3

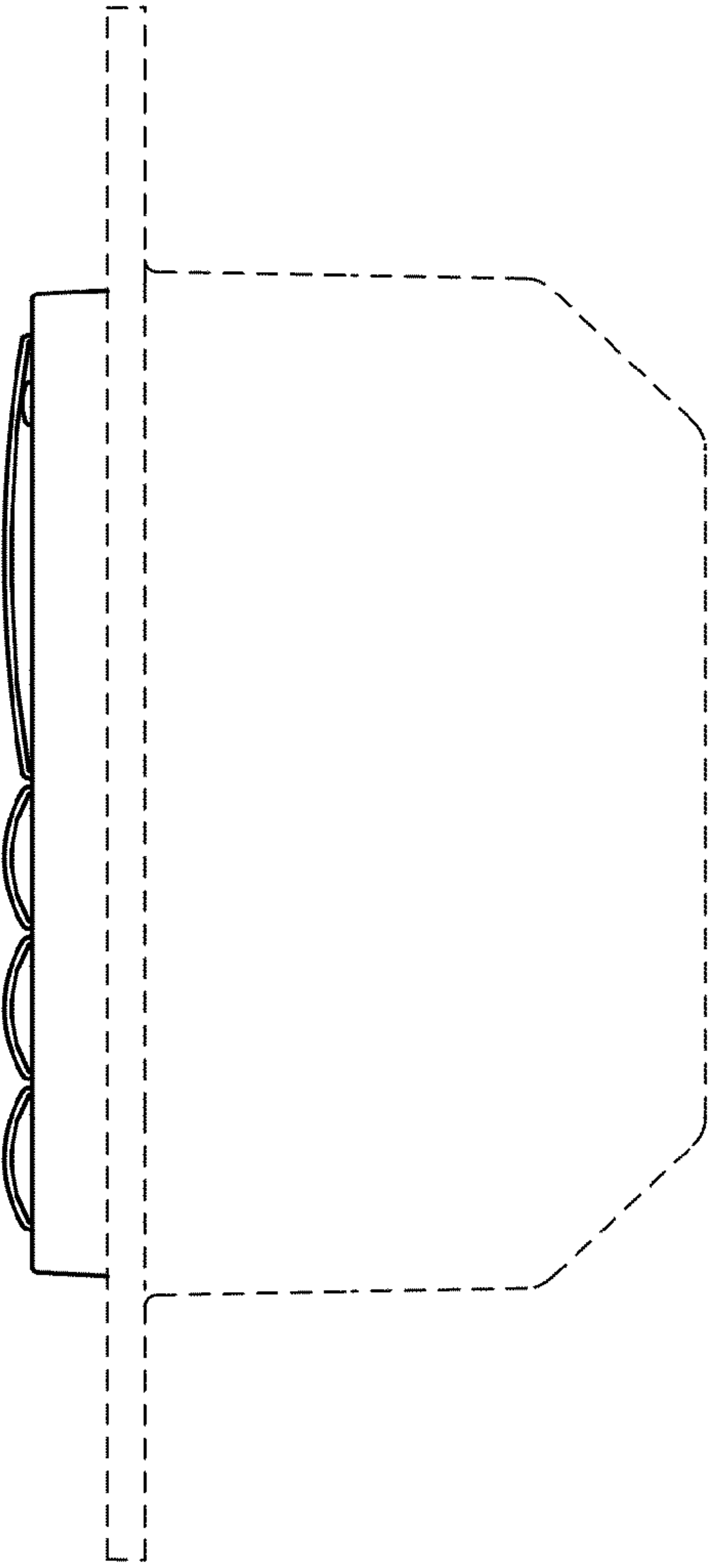


FIG. 4

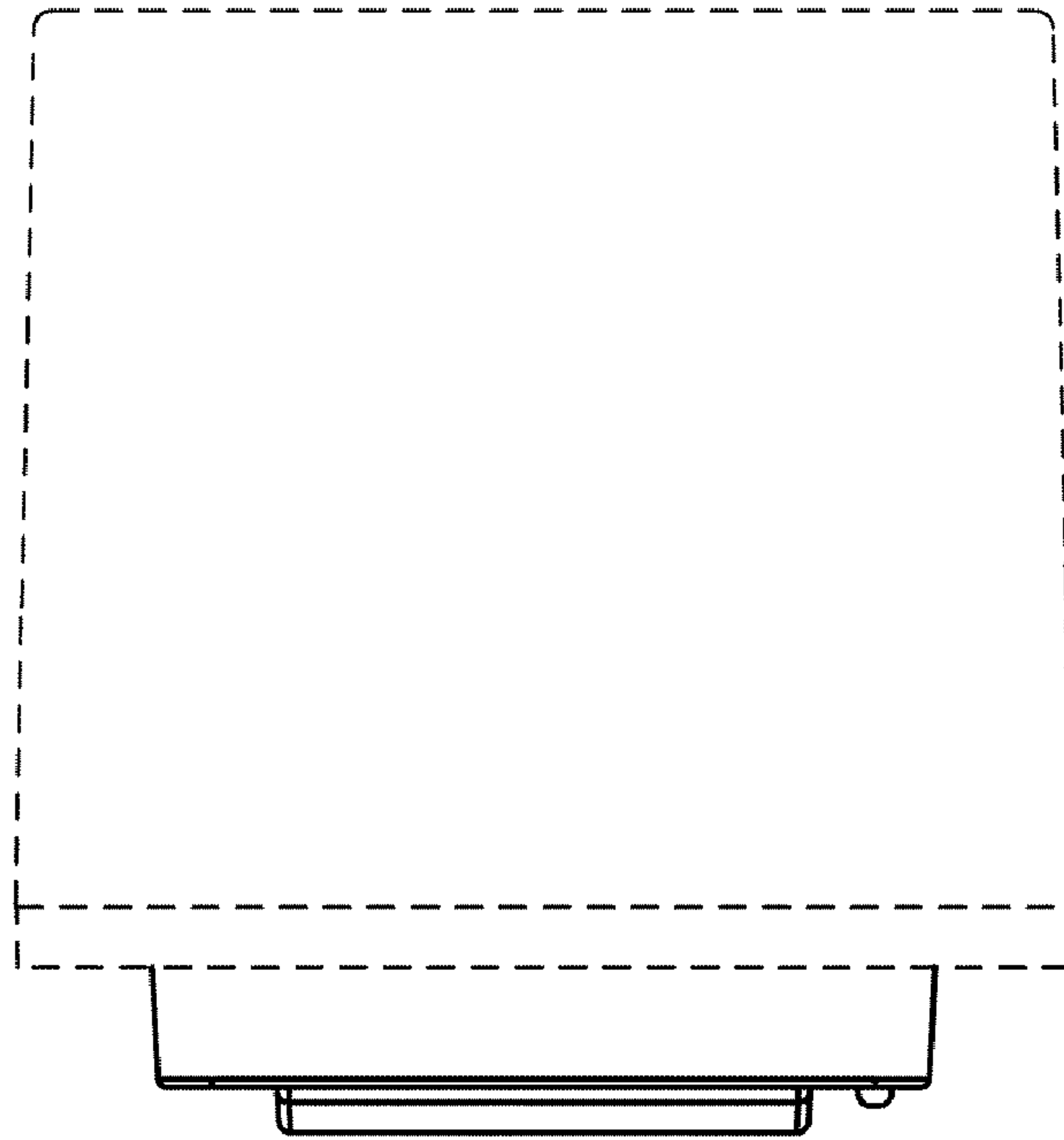


FIG. 5

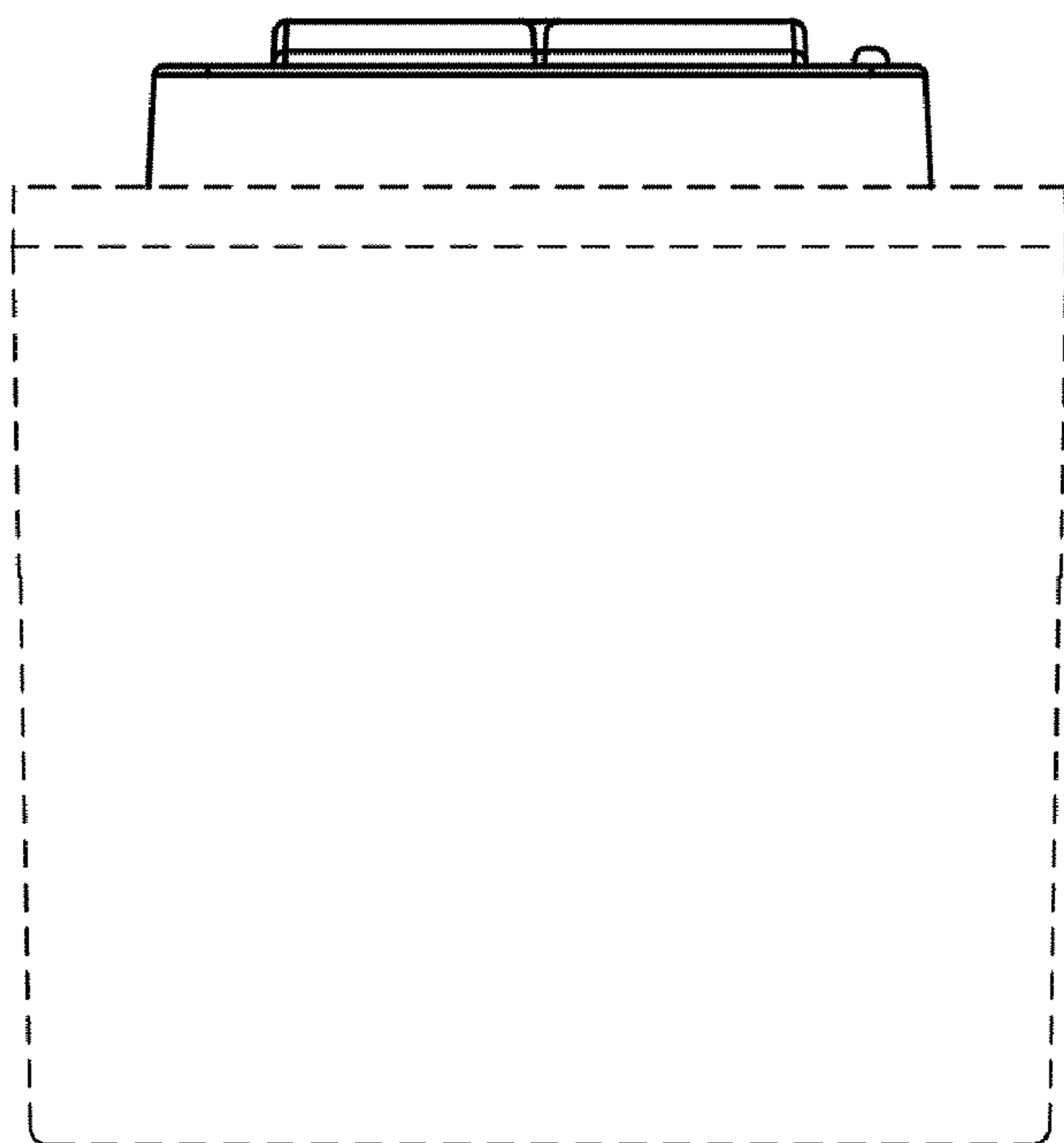


FIG. 6