



US00D652804S

(12) **United States Design Patent**
Yoshida

(10) **Patent No.:** **US D652,804 S**
(45) **Date of Patent:** **** Jan. 24, 2012**

(54) **SWITCH**

(75) Inventor: **Haruo Yoshida**, Tokyo (JP)

(73) Assignee: **SMK Corporation**, Tokyo (JP)

(**) Term: **14 Years**

(21) Appl. No.: **29/391,986**

(22) Filed: **May 16, 2011**

(30) **Foreign Application Priority Data**

Nov. 16, 2010 (JP) 2010-028942

(51) **LOC (9) Cl.** **13-03**

(52) **U.S. Cl.** **D13/158; D13/171**

(58) **Field of Classification Search** D13/158,
D13/169, 171, 174, 184, 199; 200/1 B, 5 A,
200/6 R, 293-297, 314, 315, 341, 344, 406,
200/513, 520, 523, 530

See application file for complete search history.

(56) **References Cited**

U.S. PATENT DOCUMENTS

D589,904 S * 4/2009 Yoshida et al. D13/158
D596,585 S * 7/2009 Yoshida et al. D13/158
D596,589 S * 7/2009 Yoshida et al. D13/174

* cited by examiner

Primary Examiner — Thomas Johannes

(74) *Attorney, Agent, or Firm* — Sughrue Mion, PLLC

(57) **CLAIM**

The ornamental design for a switch, as shown and described.

DESCRIPTION

FIG. 1 is a perspective view of the front, top and right side of a switch showing my new design;

FIG. 2 is a perspective view of the rear, top and right side thereof;

FIG. 3 is a front elevation view thereof;

FIG. 4 is a rear elevation view thereof;

FIG. 5 is a top plan view thereof;

FIG. 6 is a bottom plan view thereof;

FIG. 7 is a left side elevation view thereof;

FIG. 8 is a right side elevation view thereof; and,

FIG. 9 is a front elevation view of a usage condition.

The portions shown in broken lines show unclaimed subject matter only and form no part of the claimed design.

1 Claim, 6 Drawing Sheets

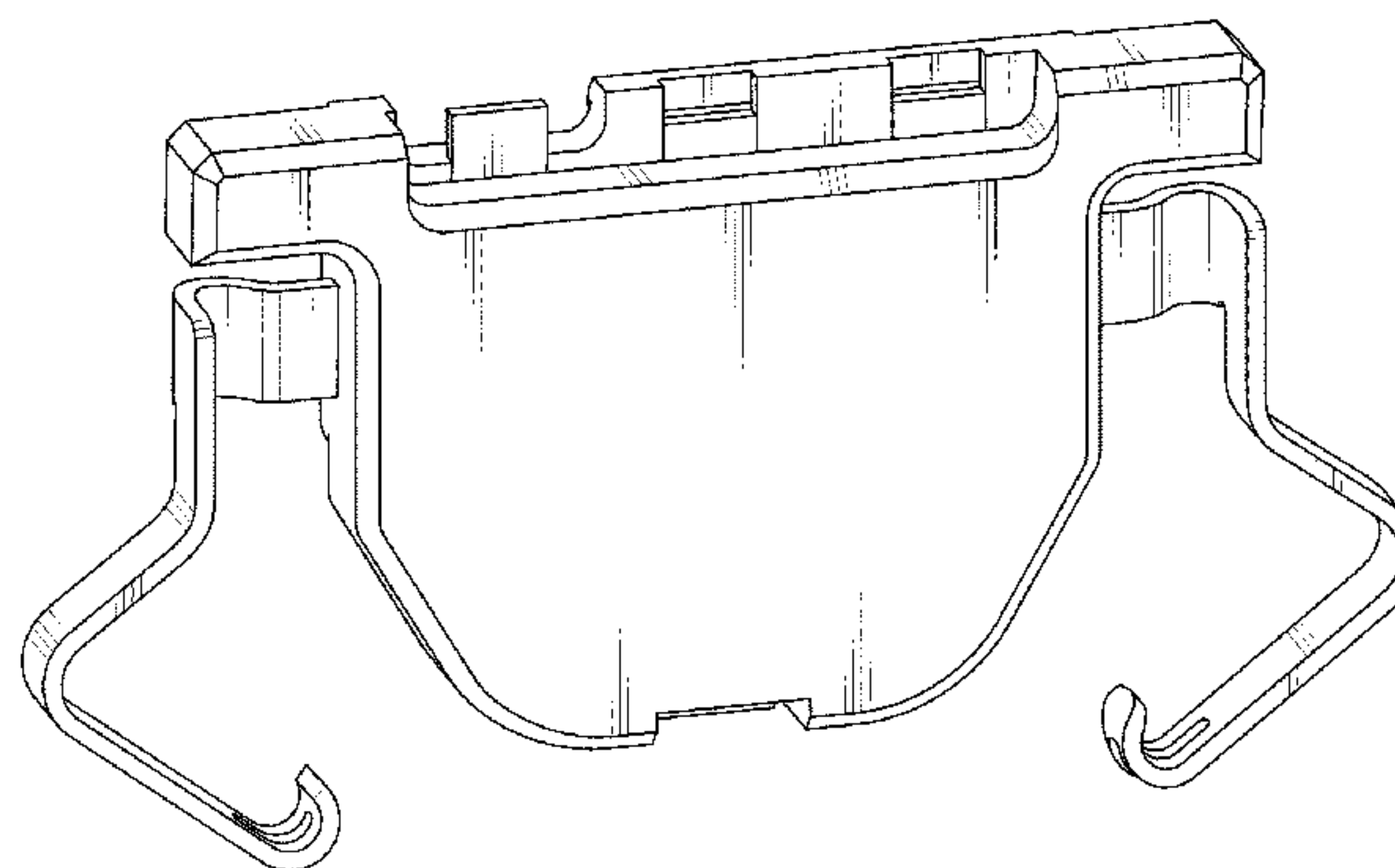
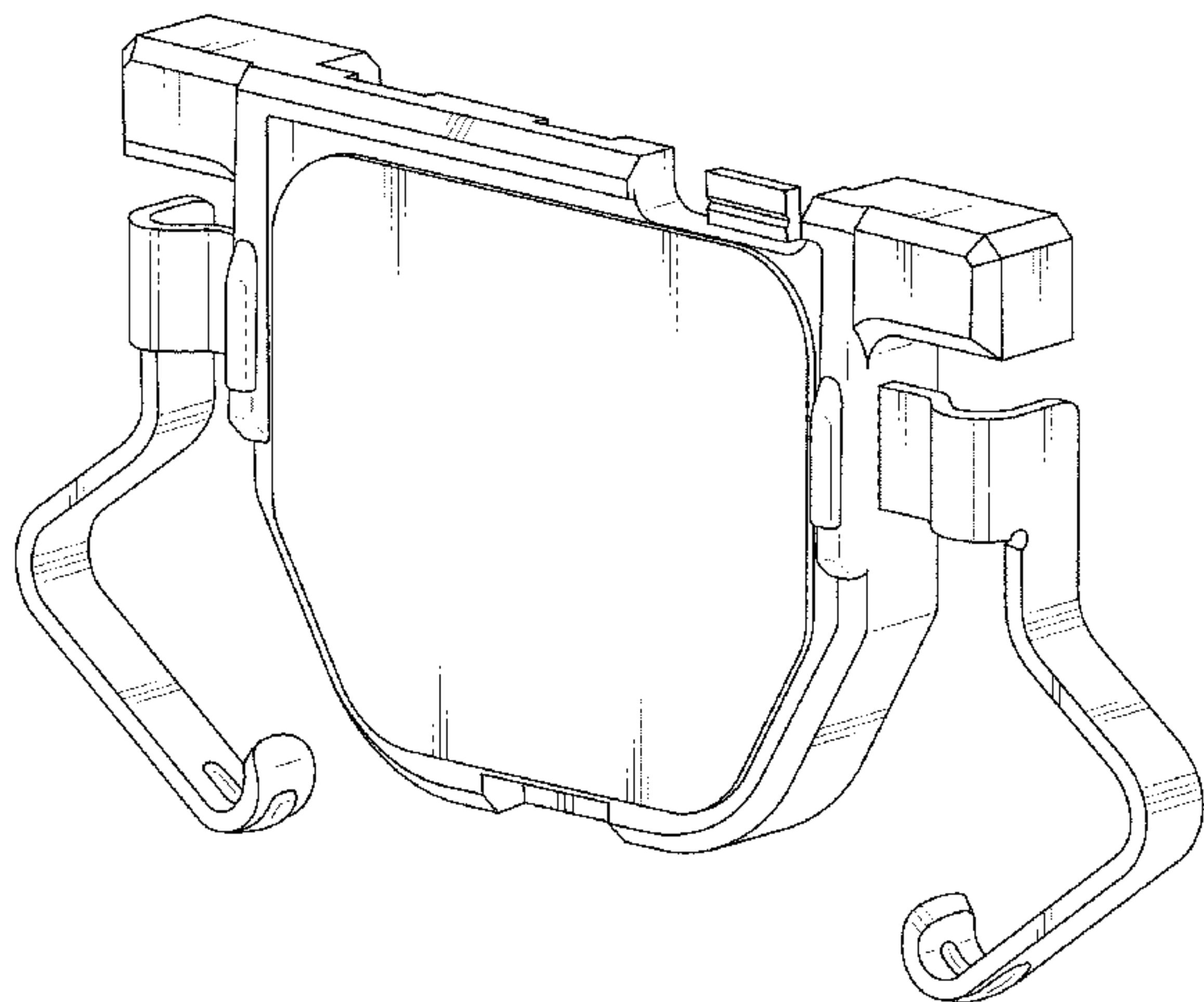


Fig. 1

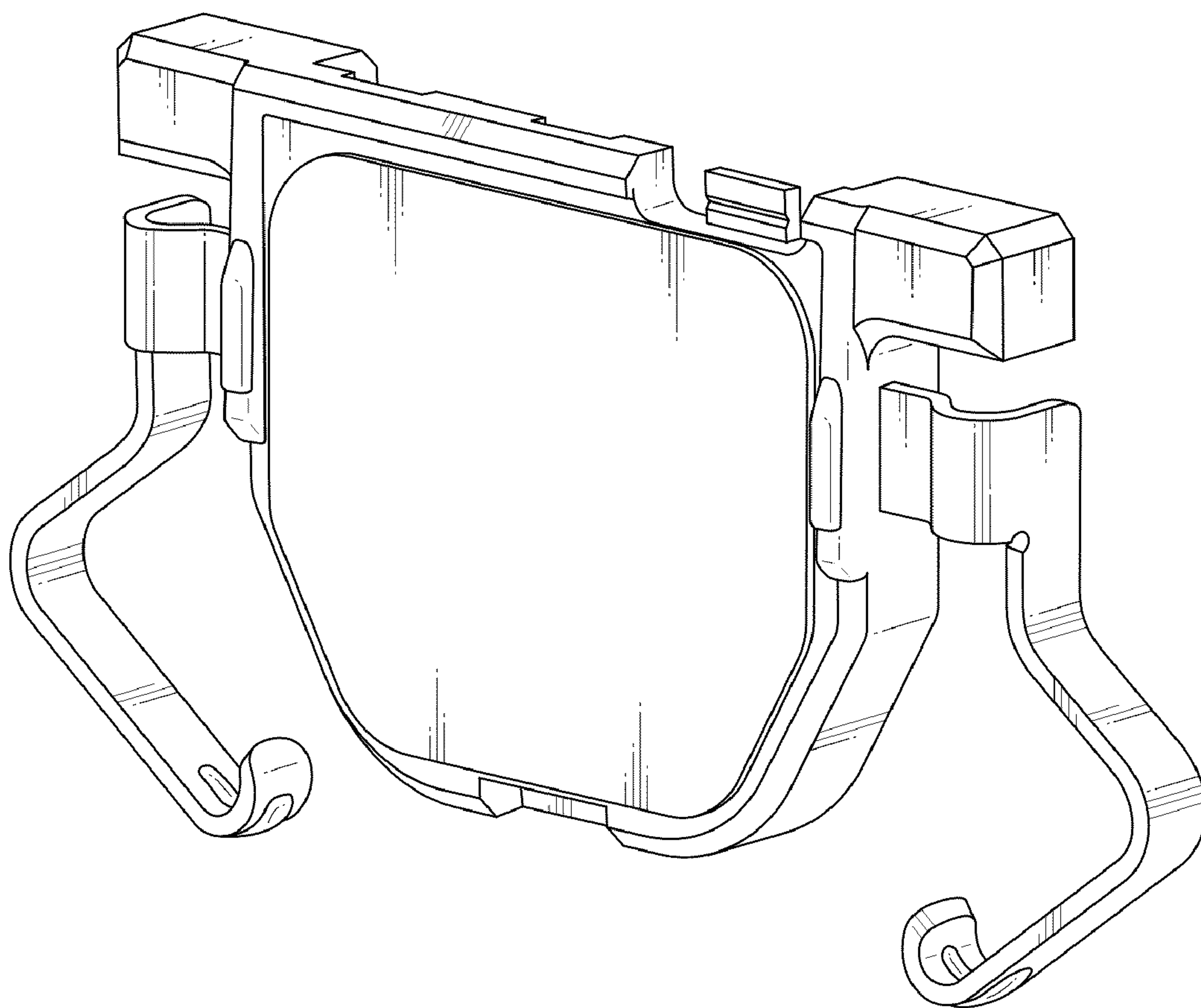


Fig. 2

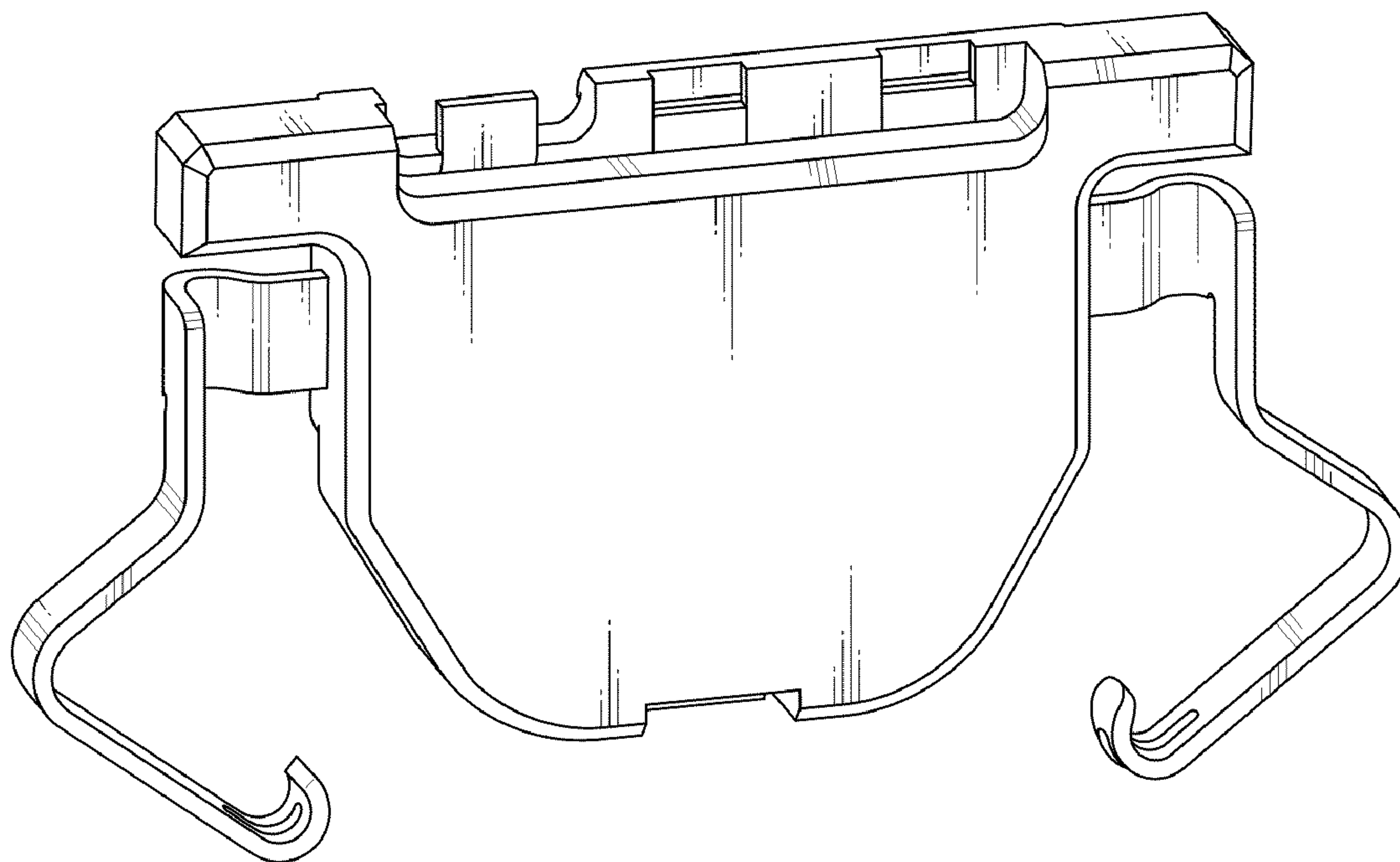


Fig. 3

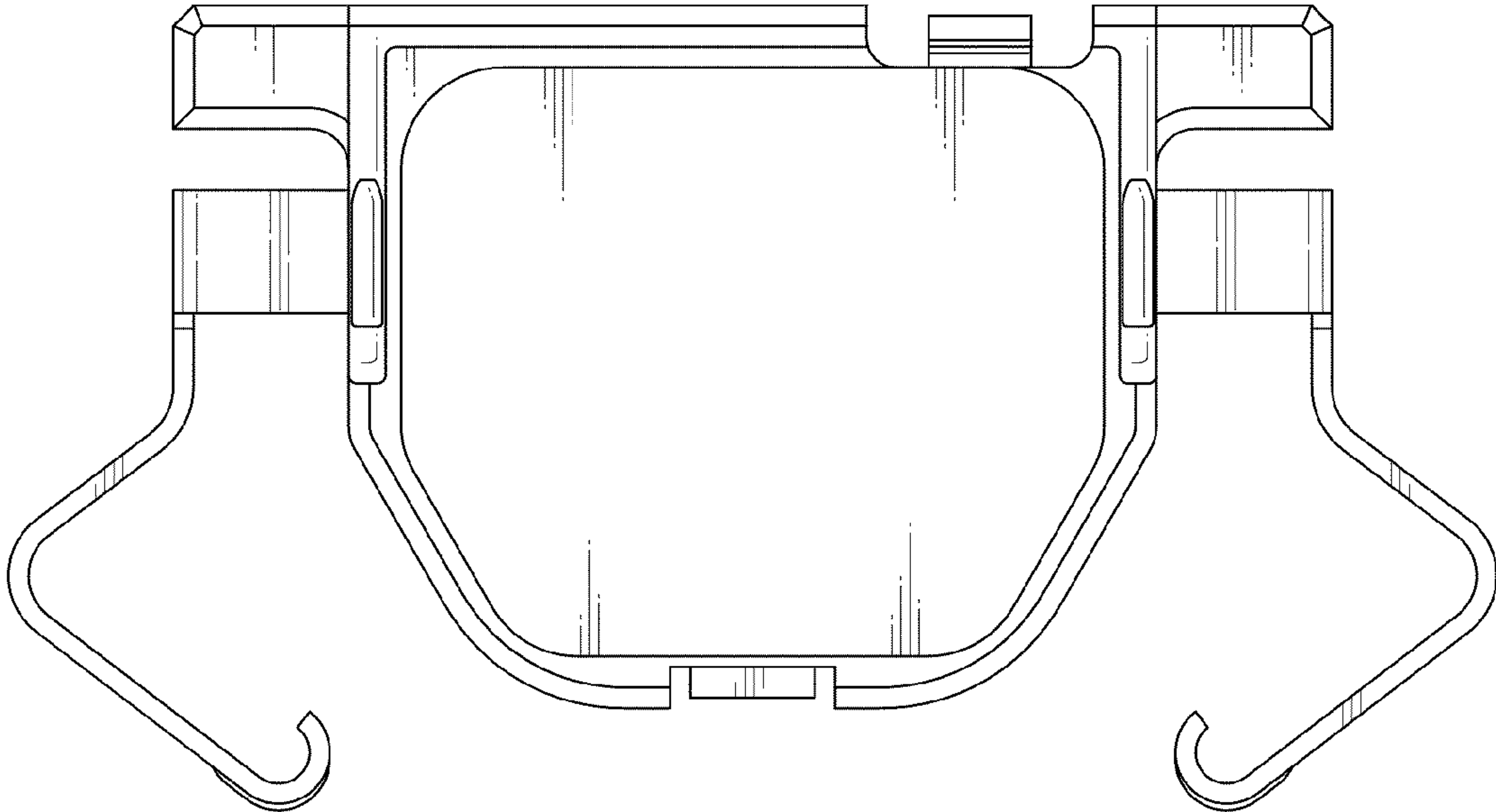


Fig. 4

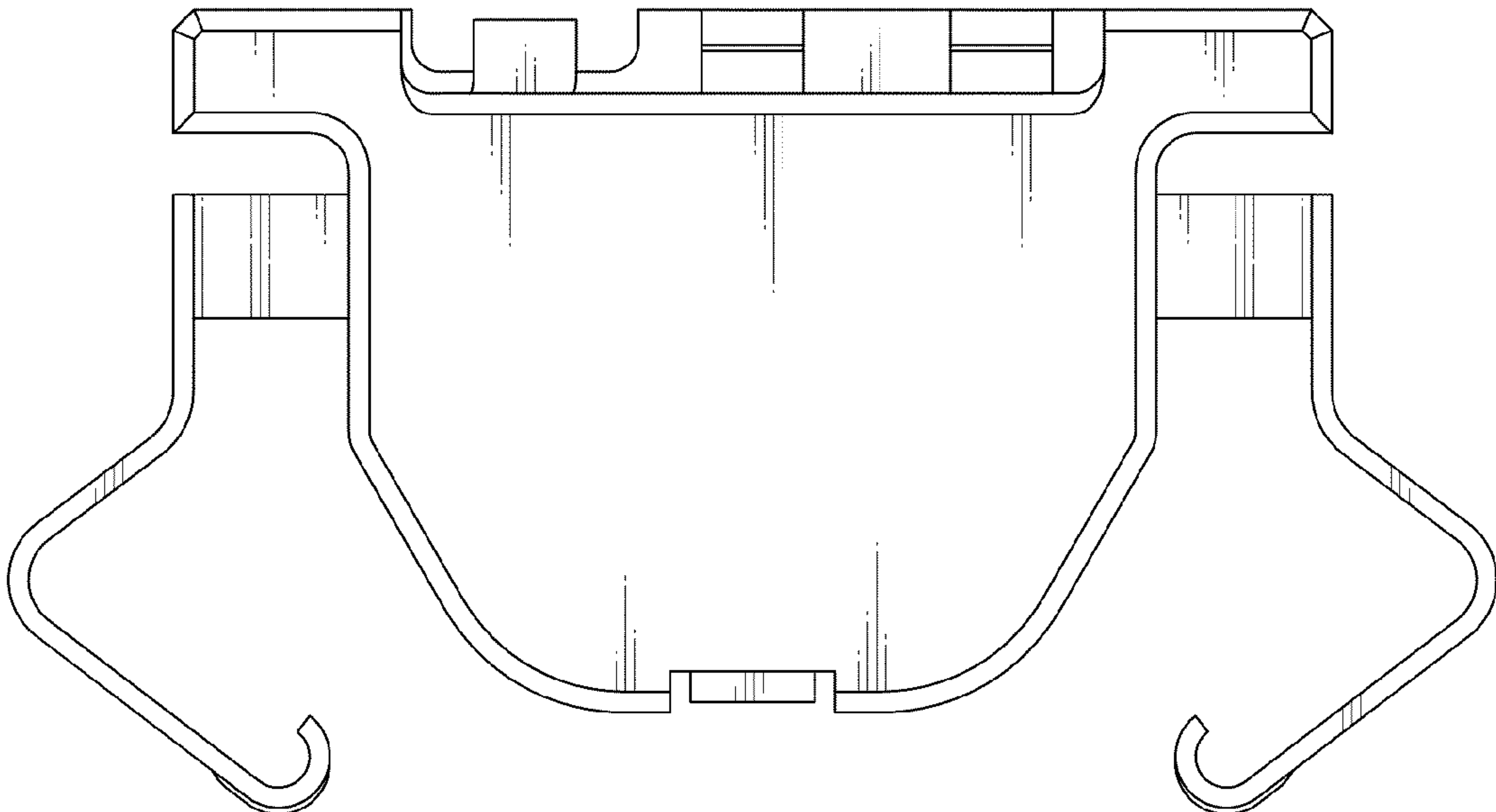


Fig. 5

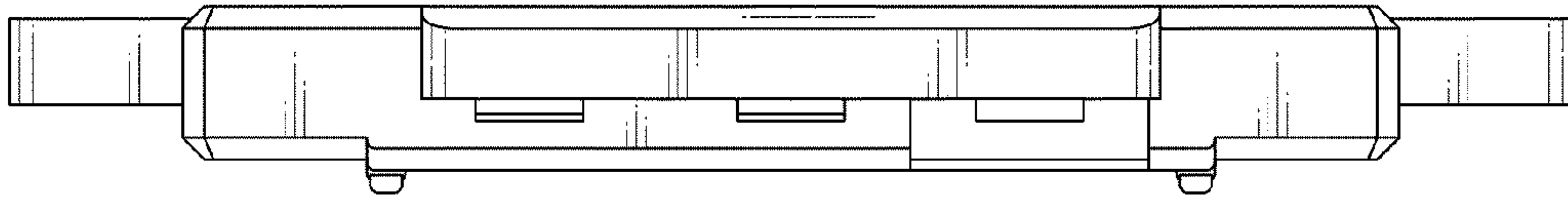


Fig. 6

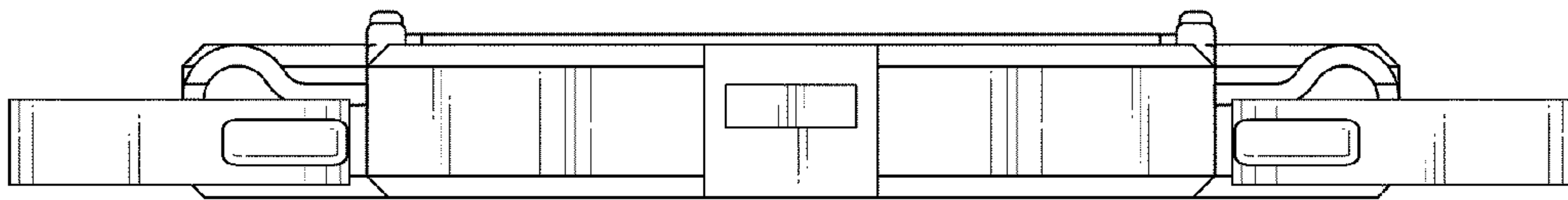


Fig. 7

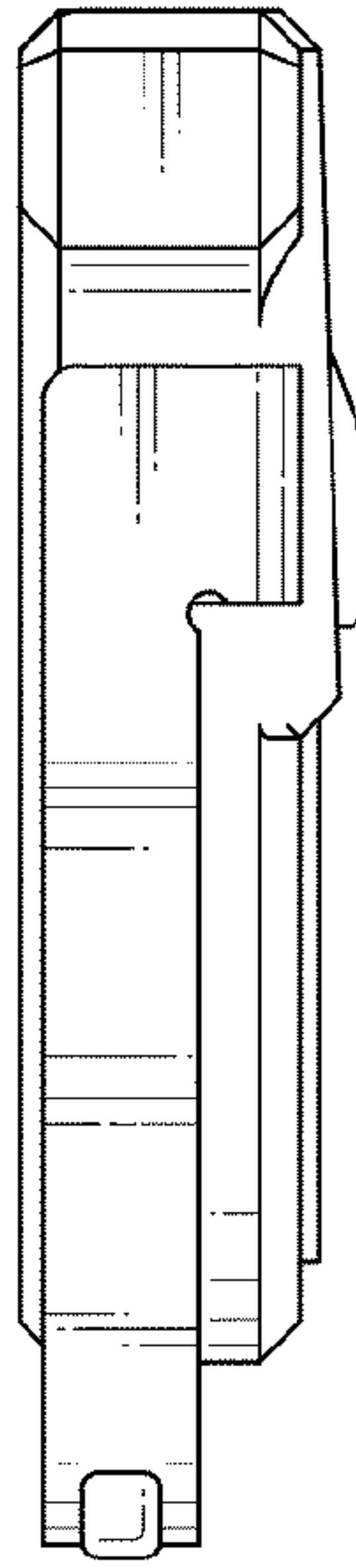


Fig. 8

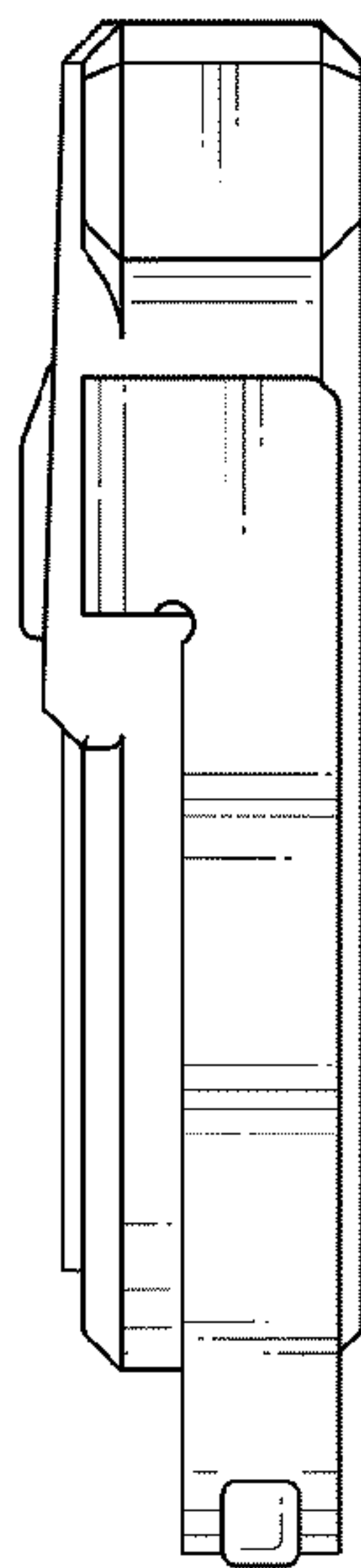


Fig. 9

