



US00D652803S

(12) **United States Design Patent**
Gouhl et al.

(10) **Patent No.:** **US D652,803 S**
(45) **Date of Patent:** **** Jan. 24, 2012**

- (54) **MODULAR FEMALE CONNECTOR**
- (75) Inventors: **Erik Jeffrey Gouhl**, Fayetteville, GA (US); **Shi Qiang Yuan**, Shang Hai (CN); **Darron Kirby Lacey**, Peachtree City, GA (US)
- (73) Assignee: **Cooper Technologies Company**, Houston, TX (US)
- (**) Term: **14 Years**
- (21) Appl. No.: **29/385,608**
- (22) Filed: **Feb. 16, 2011**

- D555,594 S 11/2007 So
- D556,102 S 11/2007 Horner et al.
- D556,133 S 11/2007 Wang
- D556,140 S 11/2007 Sakamoto
- D556,142 S 11/2007 Kudo et al.
- D558,145 S 12/2007 Stavoe et al.
- D559,182 S 1/2008 Rector, III et al.
- D559,187 S 1/2008 Hayashi
- D559,189 S 1/2008 Arai et al.
- D559,785 S 1/2008 Tosetti
- D560,167 S 1/2008 Malis et al.
- D560,168 S 1/2008 McCoy
- D560,610 S 1/2008 McCoy
- D560,613 S 1/2008 McEvoy et al.
- D560,614 S 1/2008 McEvoy et al.
- D561,101 S 2/2008 Sakamoto
- D561,103 S 2/2008 Grant
- D561,104 S 2/2008 Sakamoto
- D561,107 S 2/2008 Cuff et al.
- D561,108 S 2/2008 Cuff et al.
- D561,111 S 2/2008 Howard
- D561,698 S 2/2008 Cuff et al.
- D562,242 S 2/2008 Yang
- D562,248 S 2/2008 Howerton et al.
- D562,769 S 2/2008 Ashida et al.

Related U.S. Application Data

- (62) Division of application No. 29/351,063, filed on Nov. 30, 2009.
- (51) **LOC (9) Cl.** **13-03**
- (52) **U.S. Cl.** **D13/146**
- (58) **Field of Classification Search** D13/133, D13/146, 147, 154, 156, 184; 439/266, 345, 439/350, 352, 357, 358, 595, 660, 680, 682, 439/752

See application file for complete search history.

References Cited

- (56) **U.S. PATENT DOCUMENTS**
- 3,325,769 A 6/1967 Travis
- D210,533 S 3/1968 Pauza
- D367,465 S 2/1996 Becker
- D381,628 S 7/1997 Ashida
- D412,312 S 7/1999 Myers
- D425,869 S 5/2000 Yokomizo et al.
- D479,199 S 9/2003 Jones et al.
- D479,826 S 9/2003 Verfuert et al.
- D531,959 S 11/2006 Kondas
- D531,960 S 11/2006 Kondas
- D539,743 S 4/2007 Langer et al.
- D543,149 S 5/2007 Huang et al.
- D543,505 S 5/2007 Wang
- D544,845 S 6/2007 Askeland et al.
- D552,036 S 10/2007 Holland
- D553,087 S 10/2007 Ashida et al.

(Continued)

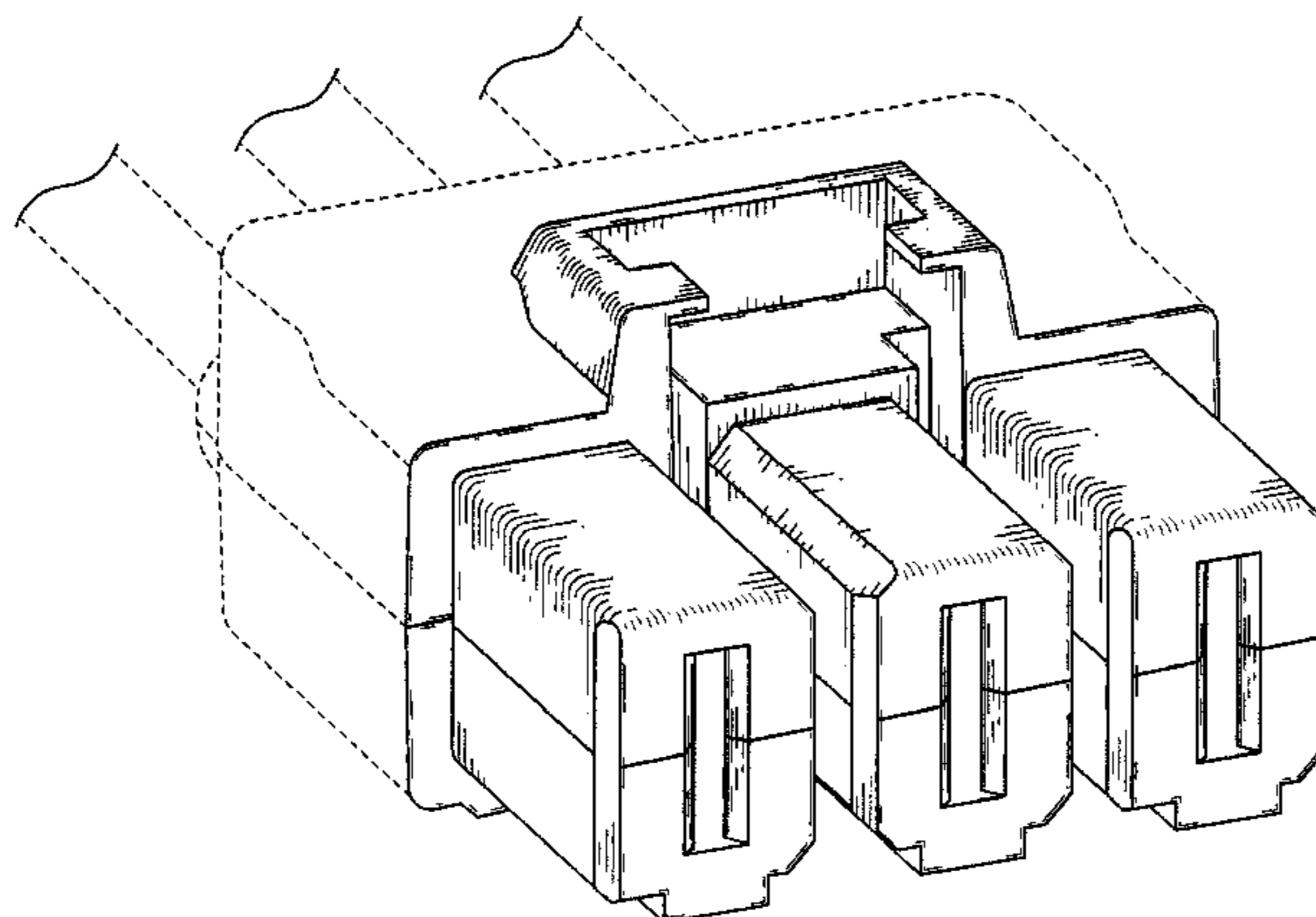
Primary Examiner — Daniel Bui
(74) *Attorney, Agent, or Firm* — King & Spalding LLP

(57) **CLAIM**
The ornamental design for a modular female connector, as shown and described.

DESCRIPTION

FIG. 1 is a perspective view of a modular female connector, showing our new design;
FIG. 2 is a front elevation view thereof;
FIG. 3 is a left-side elevation view thereof;
FIG. 4 is a right-side elevation view thereof;
FIG. 5 is a top plan view thereof; and,
FIG. 6 is a bottom plan view thereof.
The broken lines showing in the drawing views are included for the purpose of illustrating environment and form no part of the claimed design.

1 Claim, 3 Drawing Sheets



US D652,803 S

Page 2

U.S. PATENT DOCUMENTS

D562,775 S	2/2008	Cuff et al.	D565,981 S	4/2008	Radecke et al.
D563,877 S	3/2008	Grant	D570,783 S	6/2008	So
D563,878 S	3/2008	Grant	D573,079 S	7/2008	Huet
D563,879 S	3/2008	Grant	D573,106 S	7/2008	Shu et al.
D563,880 S	3/2008	Grant	D574,329 S	8/2008	So
D563,883 S	3/2008	Dever	D574,772 S	8/2008	Sutter
D563,884 S	3/2008	Dever	D574,773 S	8/2008	Sutter
D563,885 S	3/2008	Dever	D574,786 S	8/2008	Askeland et al.
D563,886 S	3/2008	Dever	D575,234 S	8/2008	Zayas
D563,887 S	3/2008	Dever	D575,237 S	8/2008	Shiga et al.
D563,888 S	3/2008	Dever	D575,742 S	8/2008	Scherer et al.
D564,452 S	3/2008	Kudo	D581,366 S	11/2008	Knepper
D564,453 S	3/2008	Kudo	7,510,429 B1	3/2009	Savicki, Jr. et al.
D564,962 S	3/2008	Chen et al.	D609,191 S	2/2010	Feldvoss et al.
D564,963 S	3/2008	Sakamoto	7,762,836 B2	7/2010	Rubin et al.
D564,968 S	3/2008	Sakamoto	7,851,704 B2	12/2010	Fitch et al.
			2004/0214464 A1	10/2004	Fukushima et al.

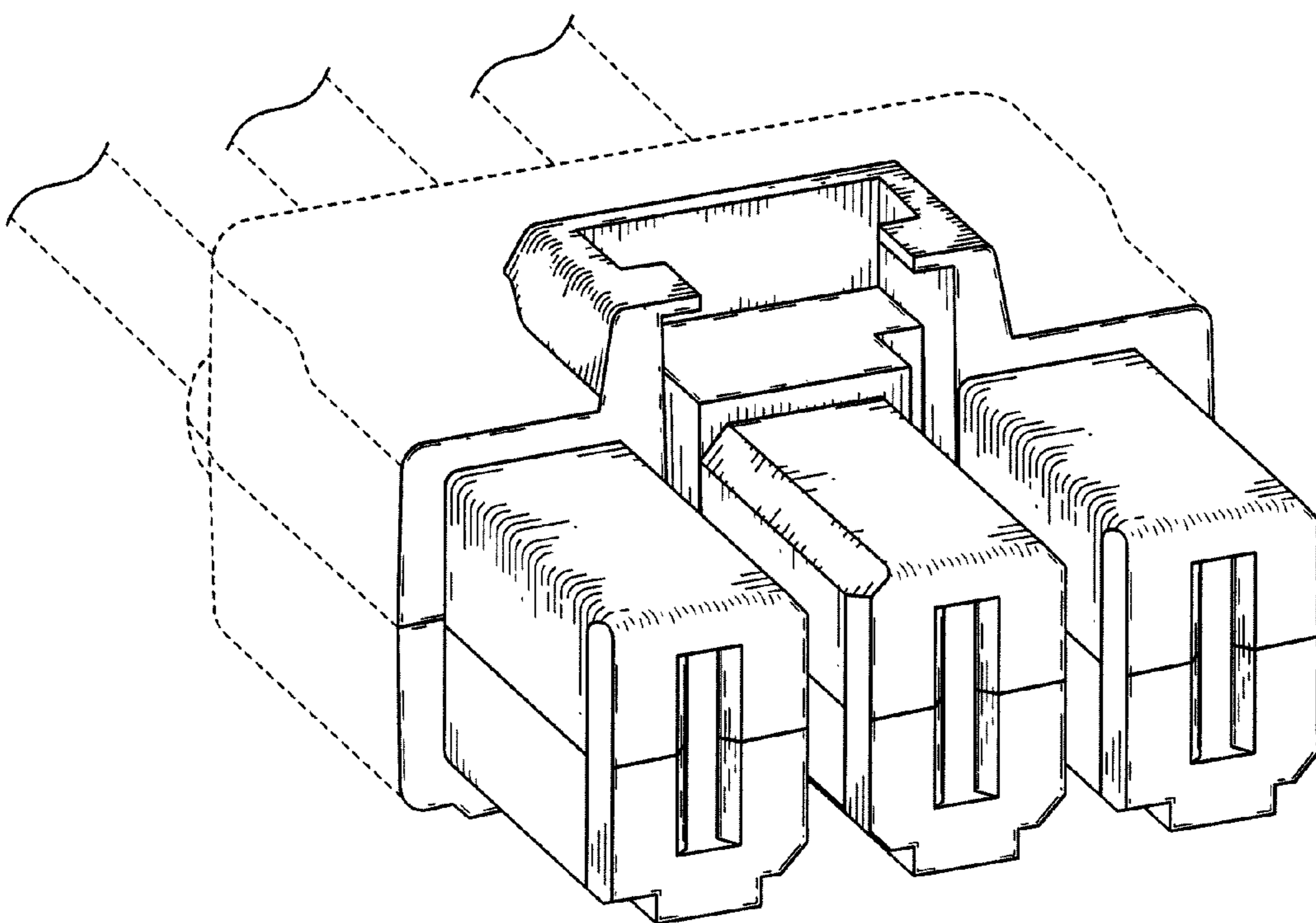


FIG. 1

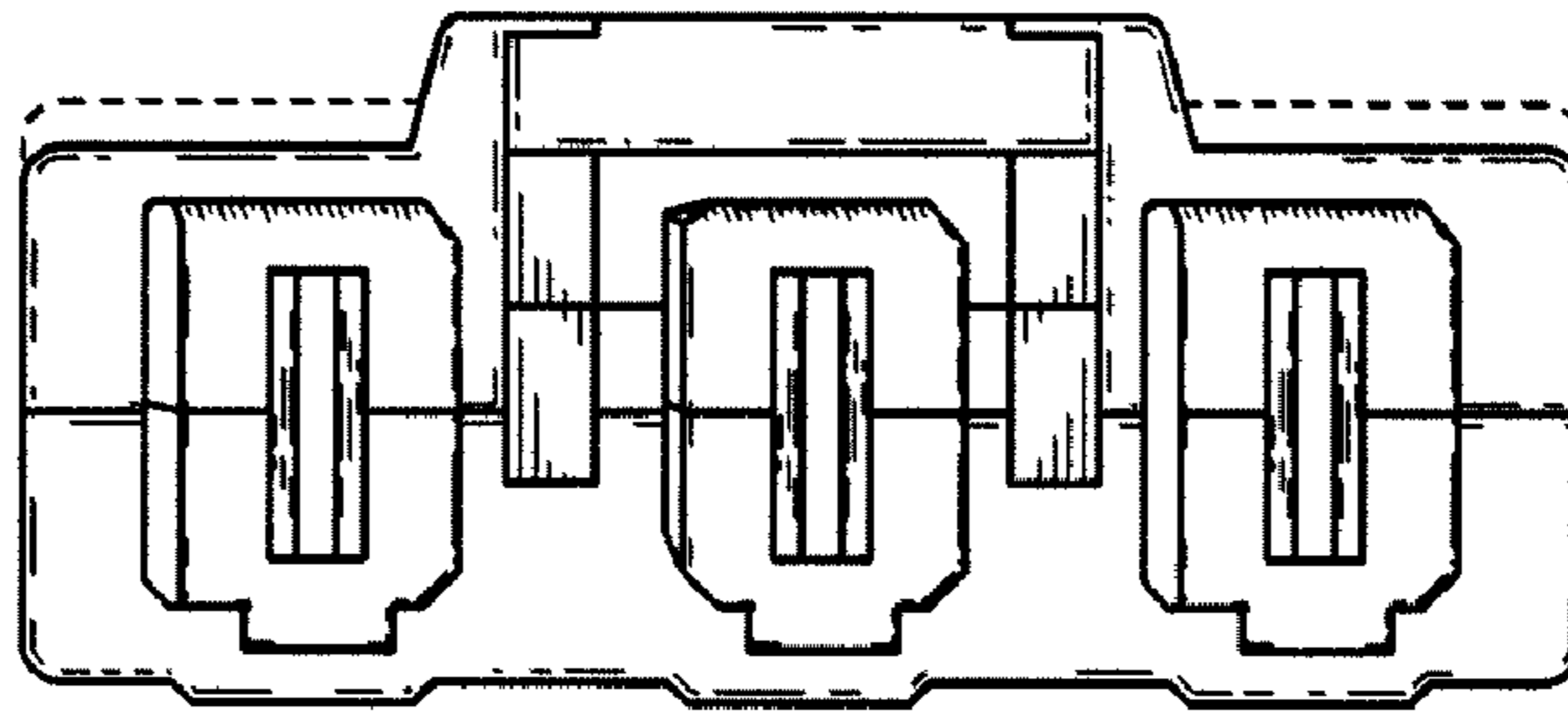


FIG. 2

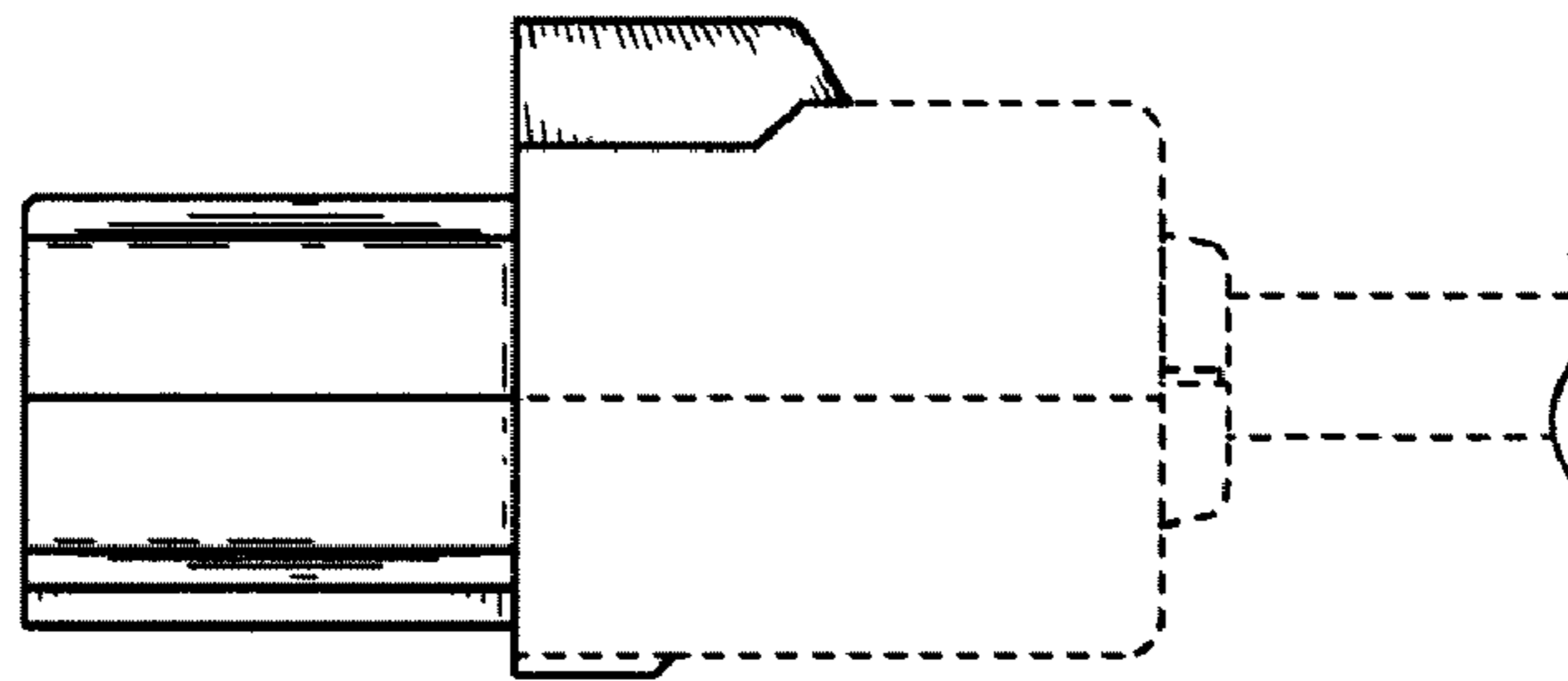


FIG. 3

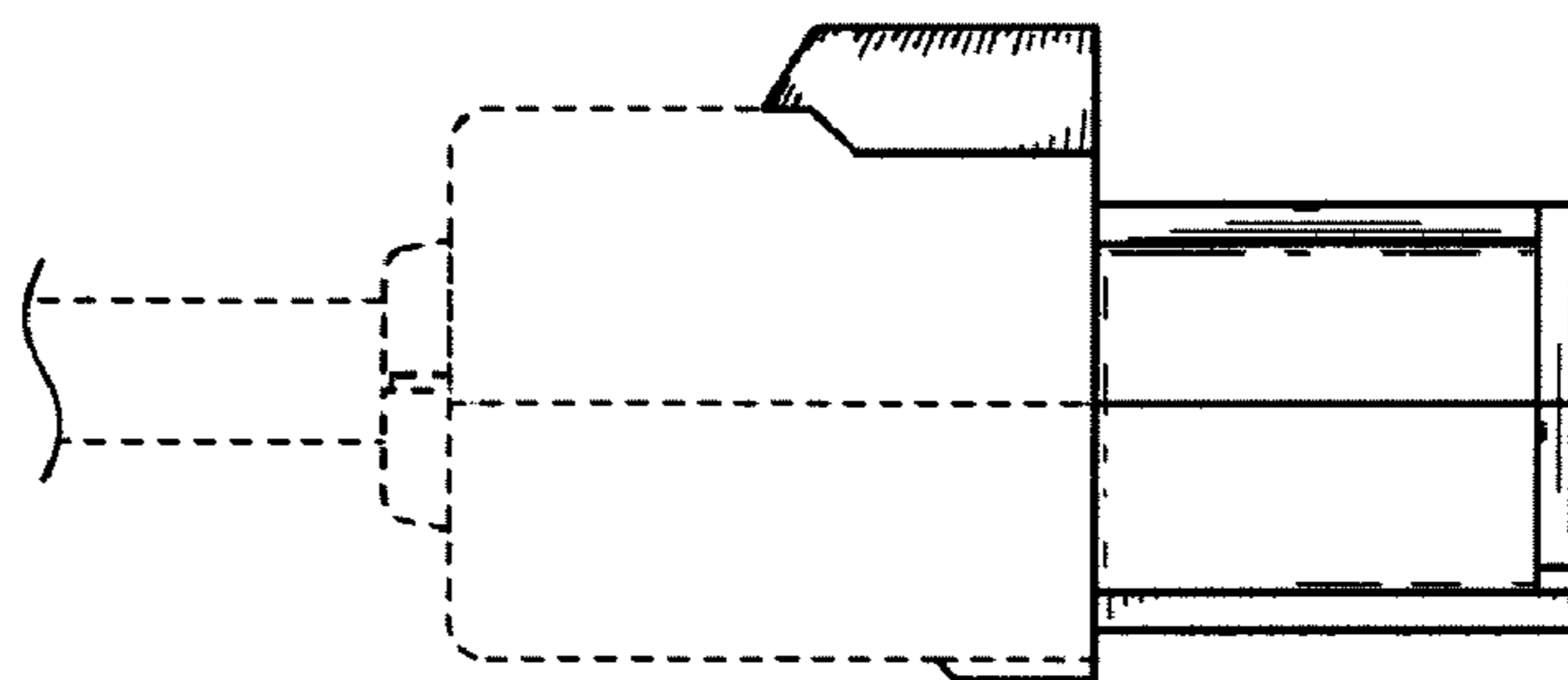


FIG. 4

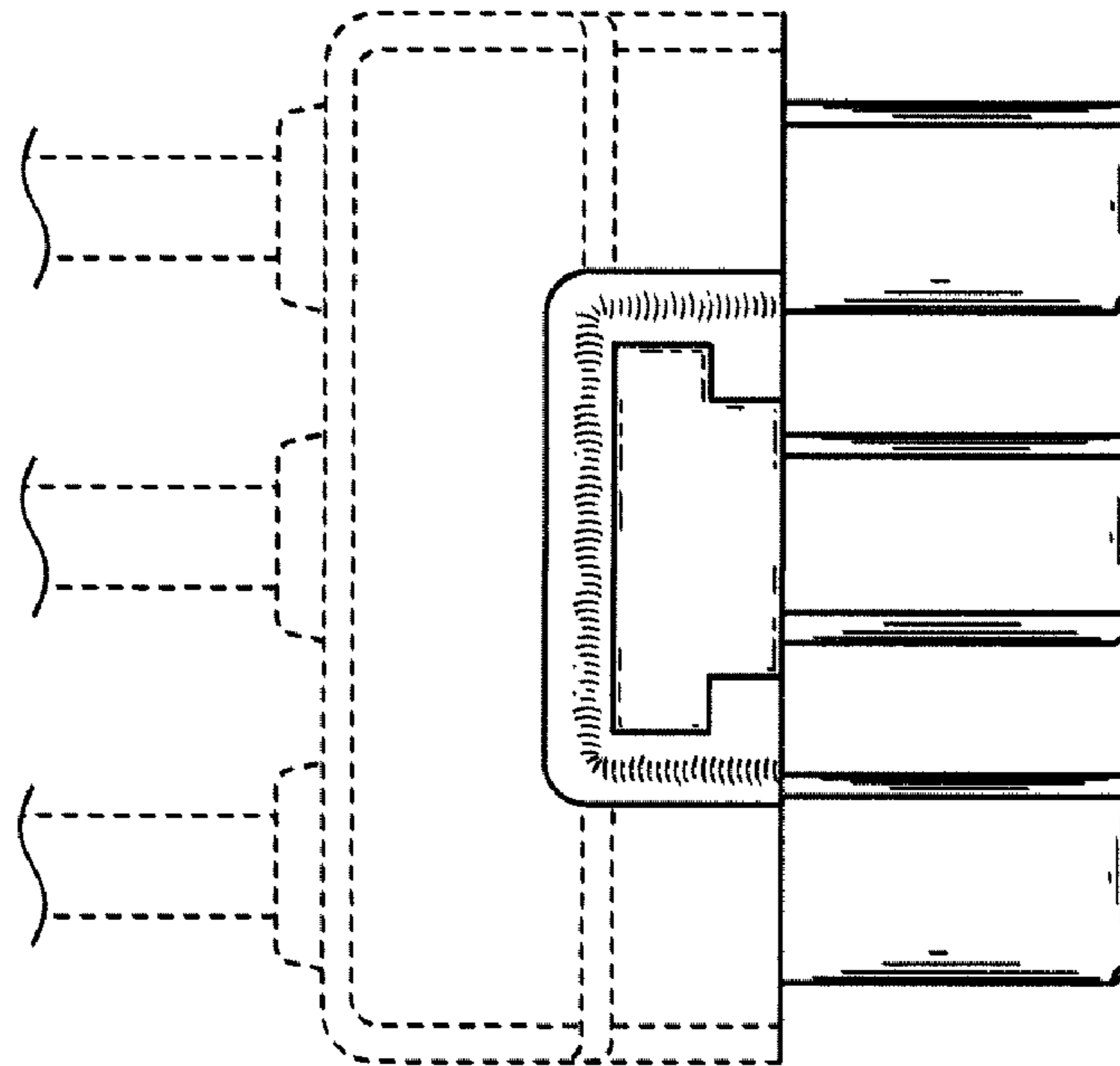


FIG. 5

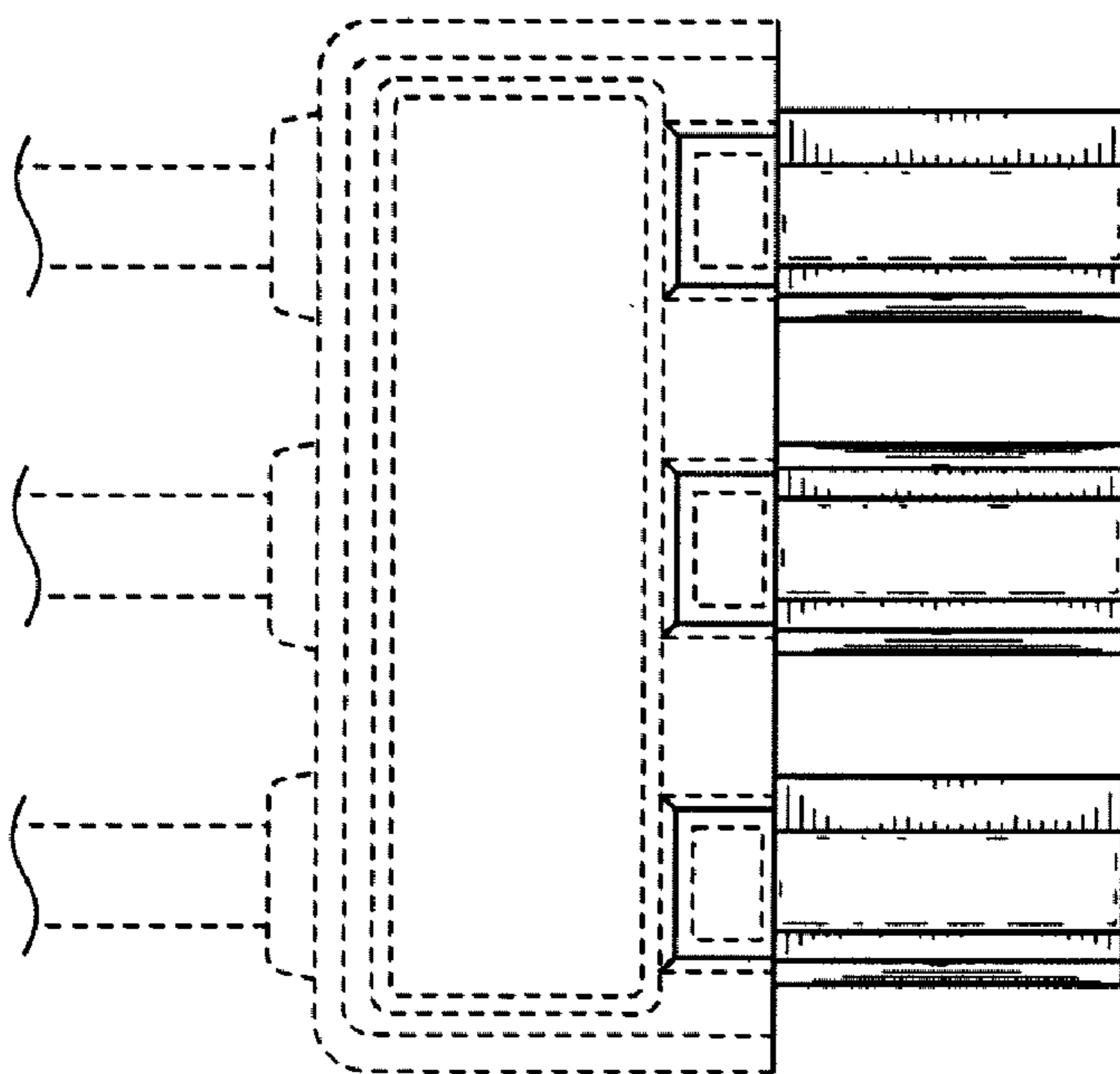


FIG. 6