



US00D652802S

(12) **United States Design Patent**
Dong

(10) **Patent No.:** **US D652,802 S**

(45) **Date of Patent:** **** Jan. 24, 2012**

(54) **CURVED CHARGER**

(75) Inventor: **Mary Dong**, City of Industry, CA (US)

(73) Assignee: **Valor Communication, Inc.**, City of Industry, CA (US)

(**) Term: **14 Years**

(21) Appl. No.: **29/391,932**

(22) Filed: **May 13, 2011**

(51) **LOC (9) Cl.** **13-03**

(52) **U.S. Cl.** **D13/144**

(58) **Field of Classification Search** D13/107,
D13/108, 110, 118, 119, 120, 133, 144, 154,
D13/184, 199; 320/107-109; 363/13, 146;
439/300, 620.01, 638, 668-670, 675, 825
See application file for complete search history.

(56) **References Cited**

U.S. PATENT DOCUMENTS

D384,036 S *	9/1997	Janci	D13/144
D433,379 S *	11/2000	Jokinen	D13/107
D434,724 S *	12/2000	Wharton	D13/110
D471,517 S *	3/2003	Nazar	D13/110

D480,054 S *	9/2003	Schwimmer	D13/160
D524,285 S *	7/2006	Dayan	D14/155
D620,440 S *	7/2010	Riede	D13/144

* cited by examiner

Primary Examiner — Daniel Bui

(74) *Attorney, Agent, or Firm* — Marc E. Hankin; Kevin Schraven; Hankin Patent Law, APC

(57) **CLAIM**

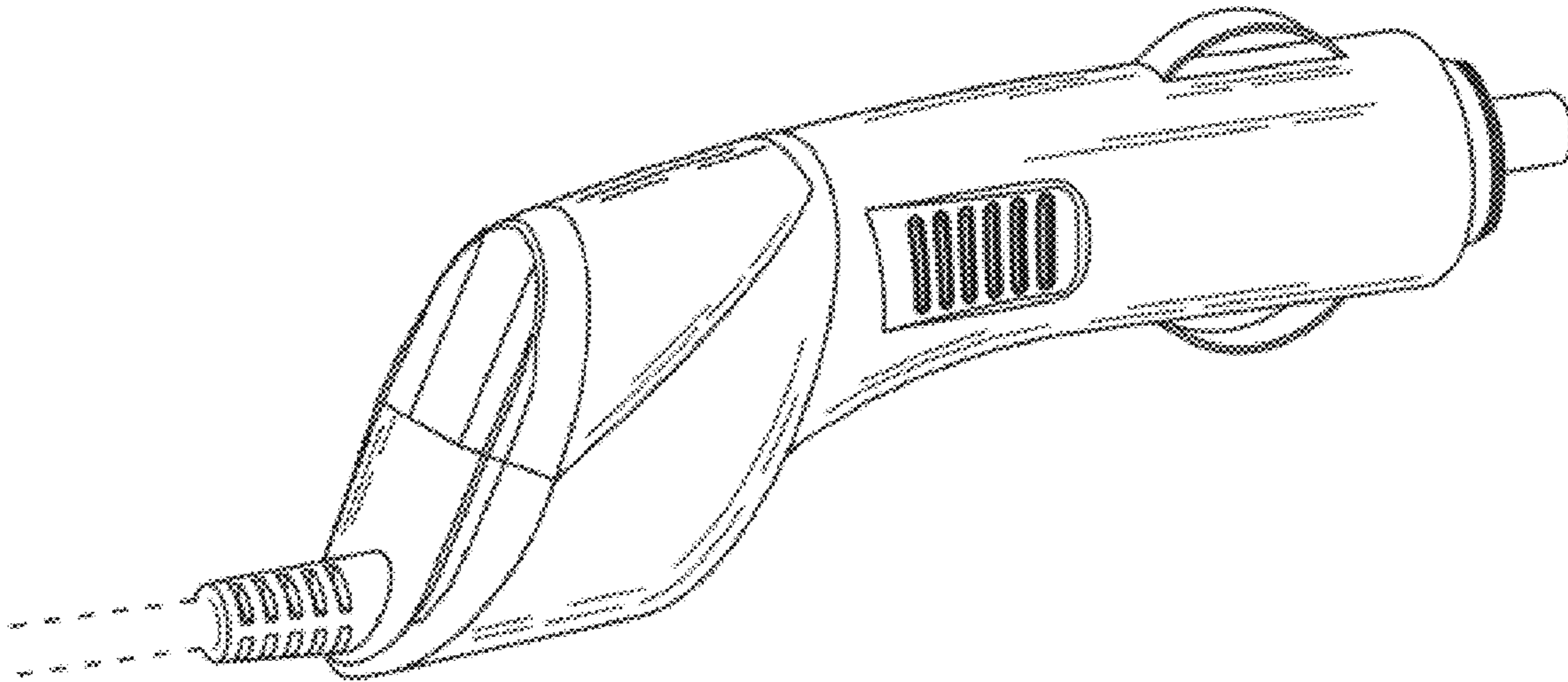
The ornamental design for a curved charger, as shown and described.

DESCRIPTION

FIG. 1 is a top, right and back perspective view of a curved charger showing my new design;
FIG. 2 is a top plan view thereof;
FIG. 3 is a bottom plan view thereof;
FIG. 4 is a back elevation view thereof;
FIG. 5 is a front elevation view thereof;
FIG. 6 is a right side elevation view thereof; and,
FIG. 7 is a left side elevation view thereof.

The broken line portion of the figure drawings is included for the purpose of illustrating environment and forms no part of the claimed design.

1 Claim, 7 Drawing Sheets



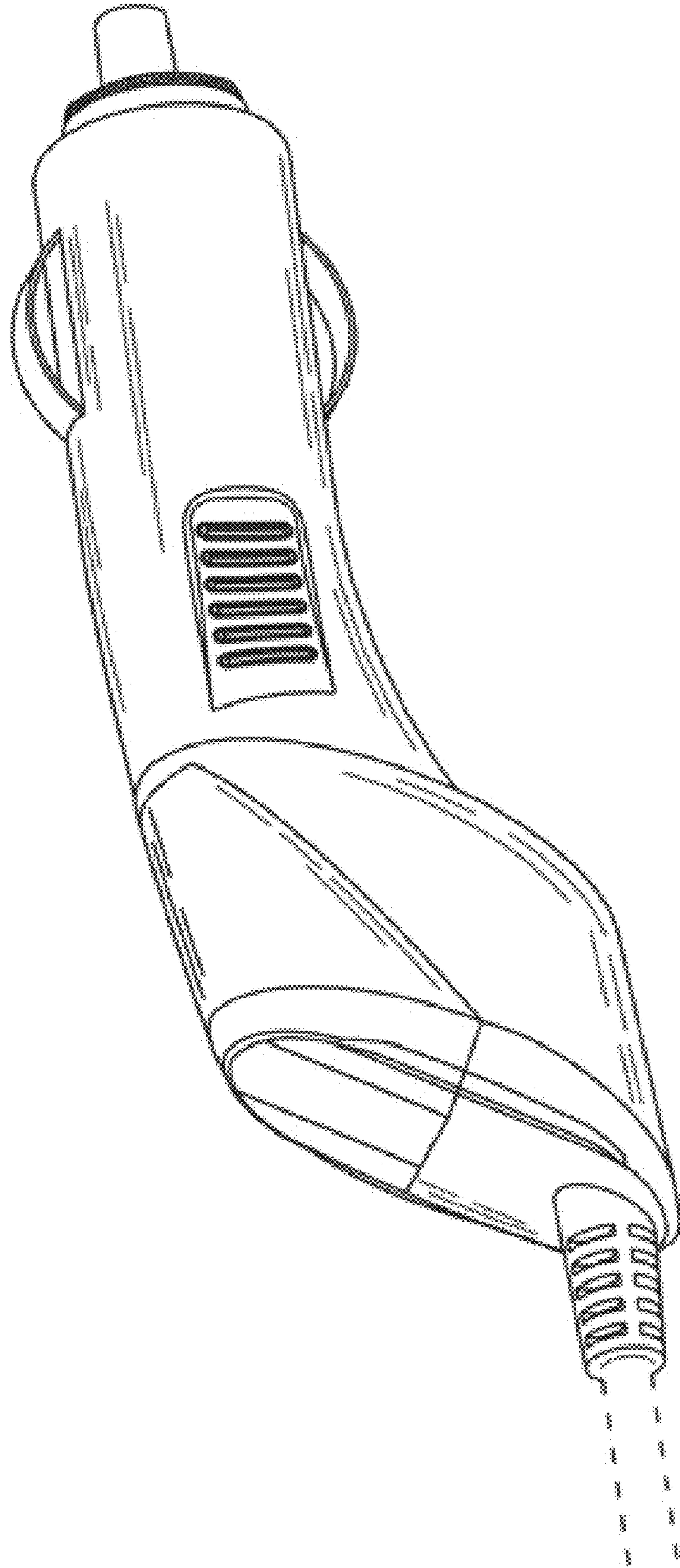


Figure 1

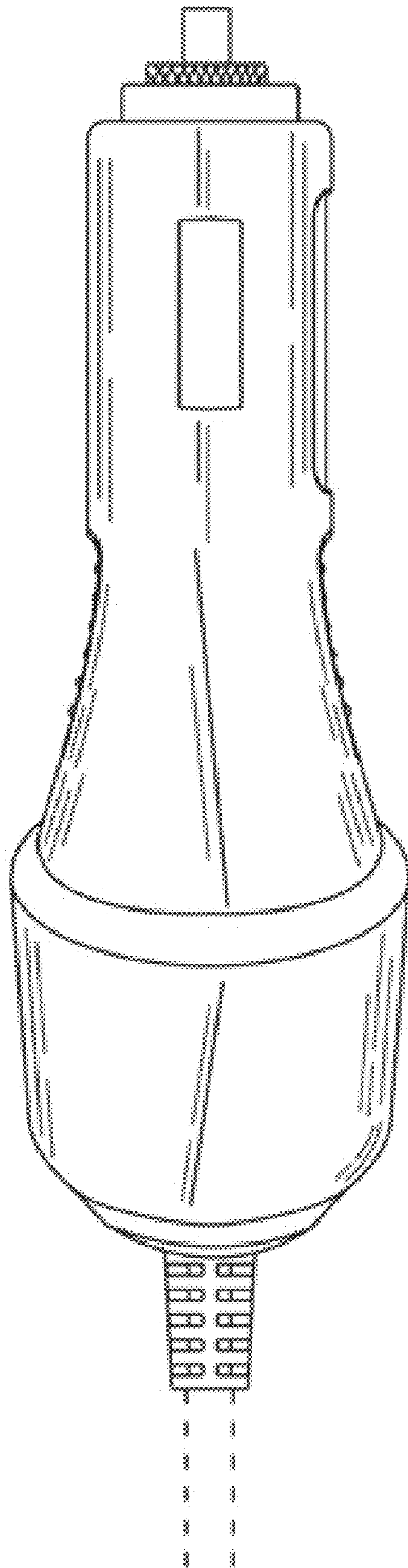


Figure 2

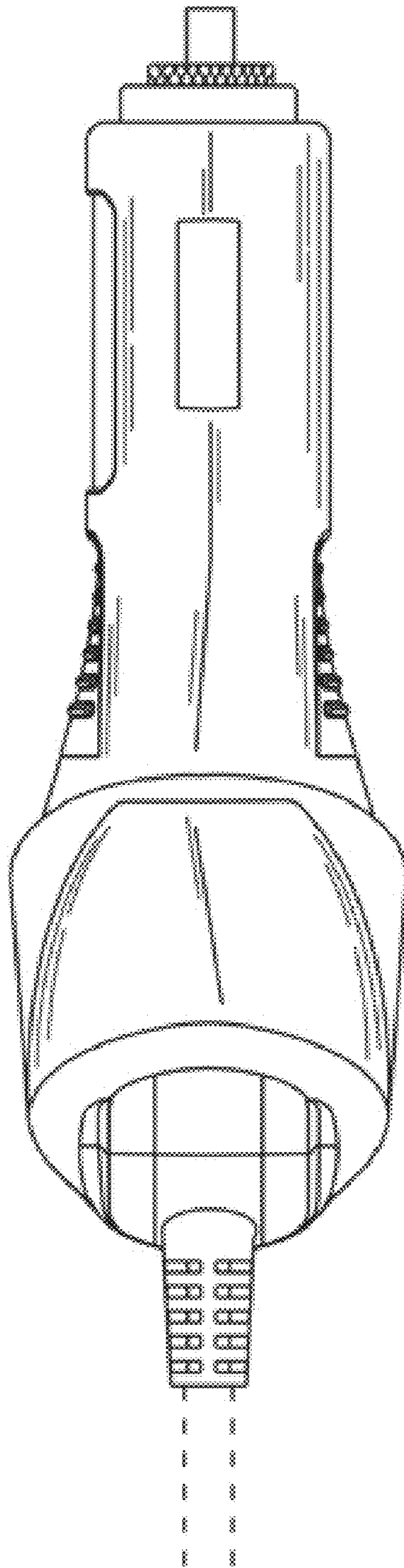


Figure 3

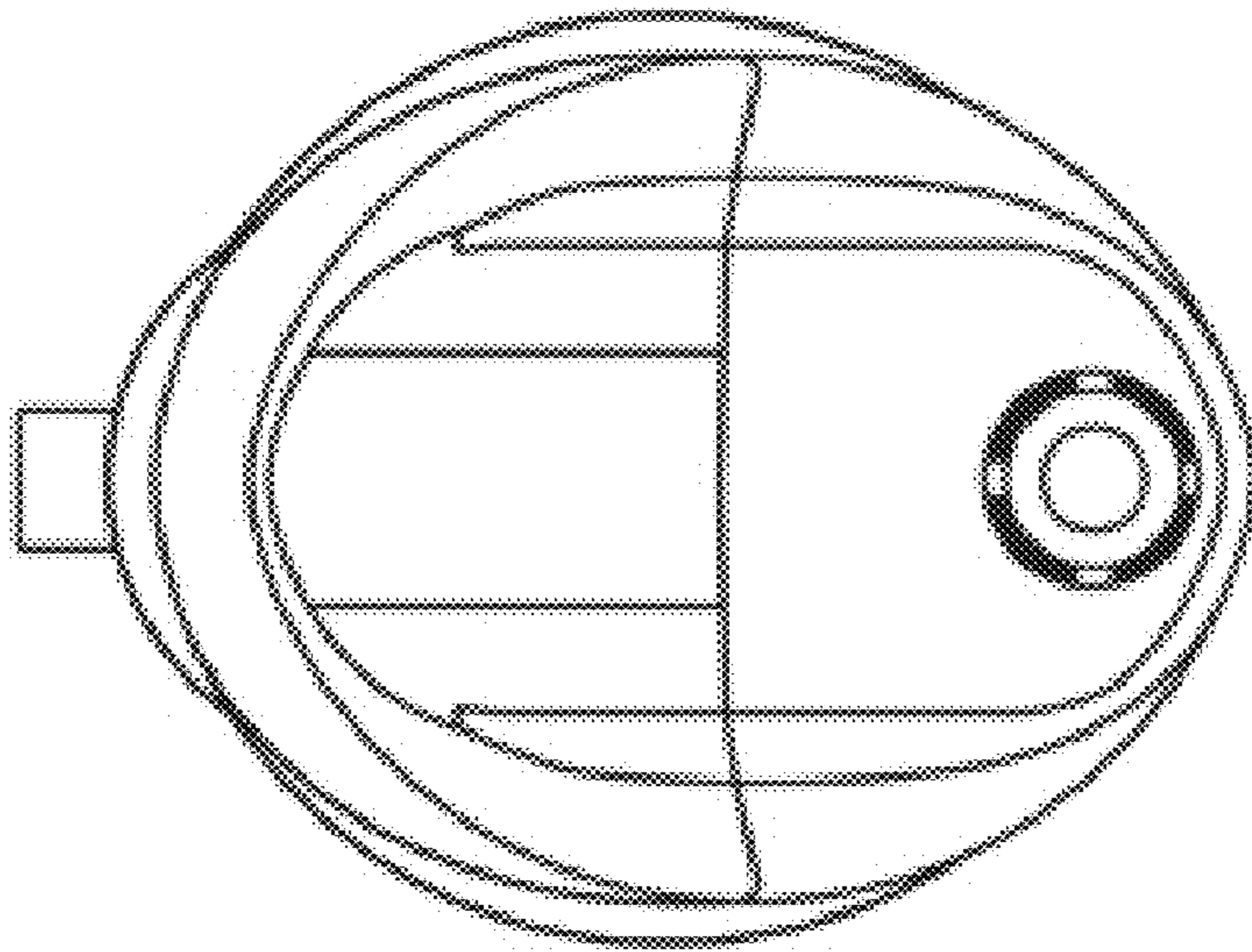


Figure 4

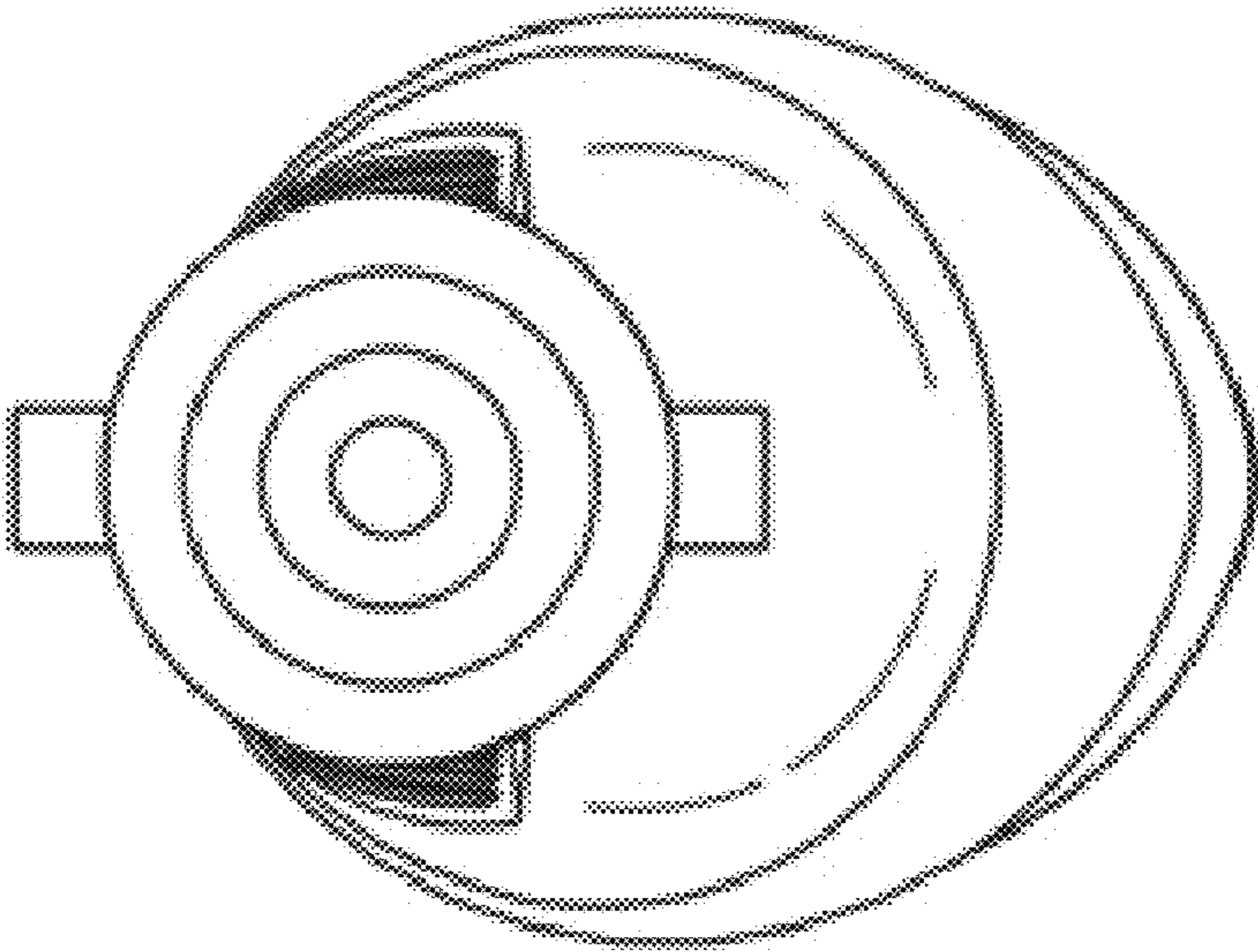


Figure 5

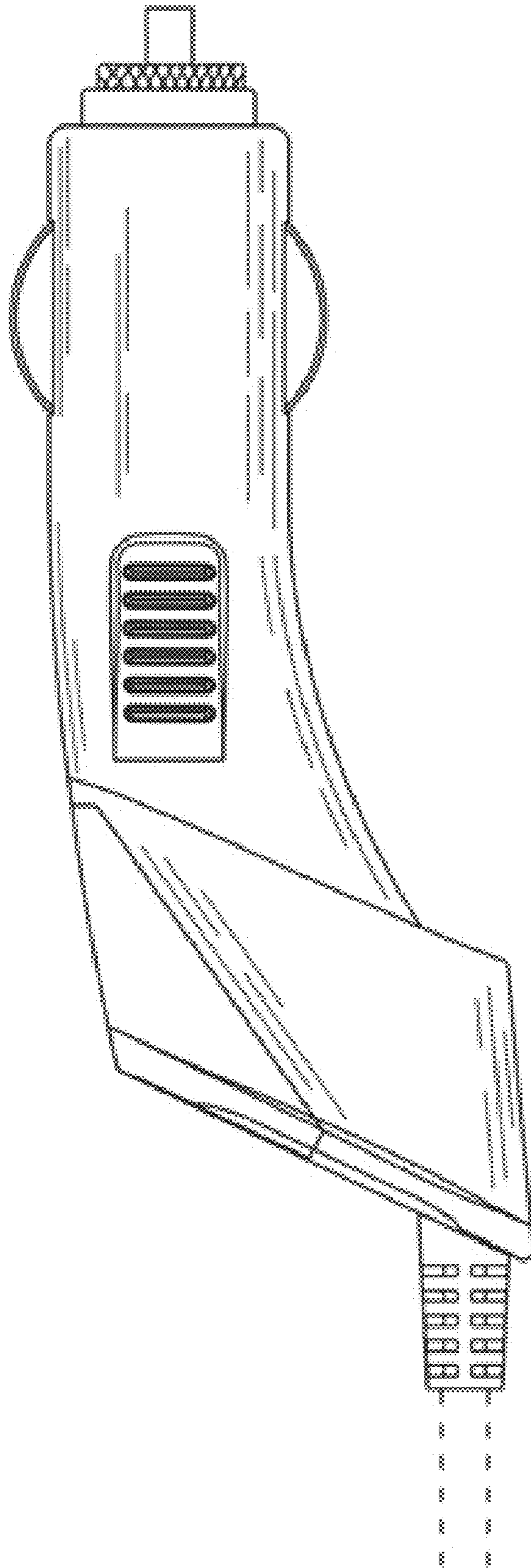


Figure 6

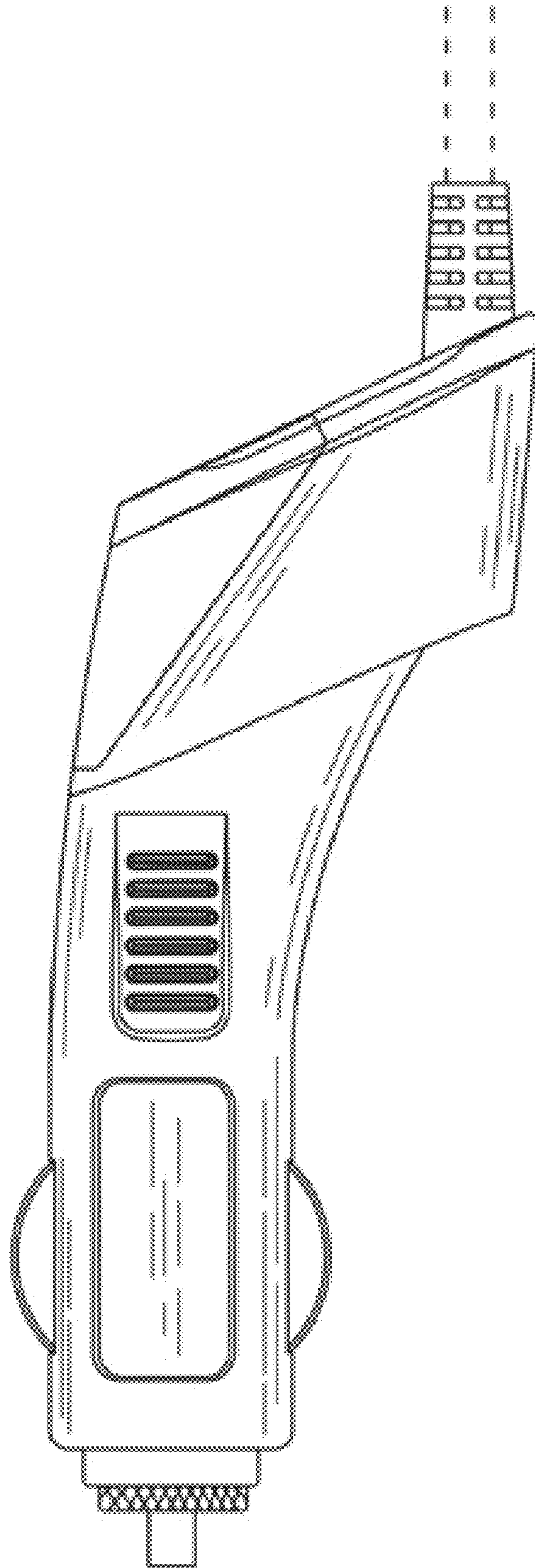


Figure 7