



US00D652801S

(12) **United States Design Patent**  
**Zou**

(10) **Patent No.:** **US D652,801 S**  
(45) **Date of Patent:** **\*\* Jan. 24, 2012**

(54) **ELECTRICAL DEVICE**

(75) Inventor: **Bill Zou**, Zhongshan (CN)

(73) Assignee: **Zhongshan Kaper Electrical Co., Ltd.**  
(CN)

(\*\*) Term: **14 Years**

(21) Appl. No.: **29/391,351**

(22) Filed: **May 6, 2011**

(30) **Foreign Application Priority Data**

Nov. 8, 2010 (CN) ..... 2010 3 0614910

(51) **LOC (9) Cl.** ..... **13-03**

(52) **U.S. Cl.** ..... **D13/139.8**

(58) **Field of Classification Search** ..... D13/138.1,  
D13/138.2, 139.1-139.8, 137.1-137.4, 133,  
D13/107, 108, 146, 147, 154, 174, 177, 160;  
D8/353, 350; 363/15, 34, 146; 439/93, 105,  
439/106, 535, 620.15, 620.21, 620.3, 620.31,  
439/907, 908, 919, 650, 651, 652, 653, 654,  
439/655, 692; 174/494, 53, 55, 59, 66; 320/111,  
320/114, 115; 307/150, 151  
See application file for complete search history.

(56) **References Cited**

**U.S. PATENT DOCUMENTS**

D301,462 S \* 6/1989 Drew ..... D13/139.7  
D356,066 S \* 3/1995 Rao et al. .... D13/138.1

D360,401 S \* 7/1995 Chen ..... D13/138.1  
D414,747 S \* 10/1999 Aromin ..... D13/160  
D451,481 S \* 12/2001 MacKay ..... D13/160  
D473,188 S \* 4/2003 Cheah et al. .... D13/138.2  
D483,721 S \* 12/2003 Kim et al. .... D13/110  
7,170,375 B2 \* 1/2007 Chen et al. .... 335/177  
D579,881 S \* 11/2008 Aromin ..... D13/160  
D584,690 S \* 1/2009 Hsiung ..... D13/138.1  
D602,434 S \* 10/2009 Mancari et al. .... D13/139.1  
D633,869 S \* 3/2011 Aromin et al. .... D13/138.1  
2008/0094764 A1 \* 4/2008 Zhang et al. .... 361/42

\* cited by examiner

*Primary Examiner* — Angela J Lee

(74) *Attorney, Agent, or Firm* — Lerner, David, Littenberg,  
Krumholz & Mentlik, LLP

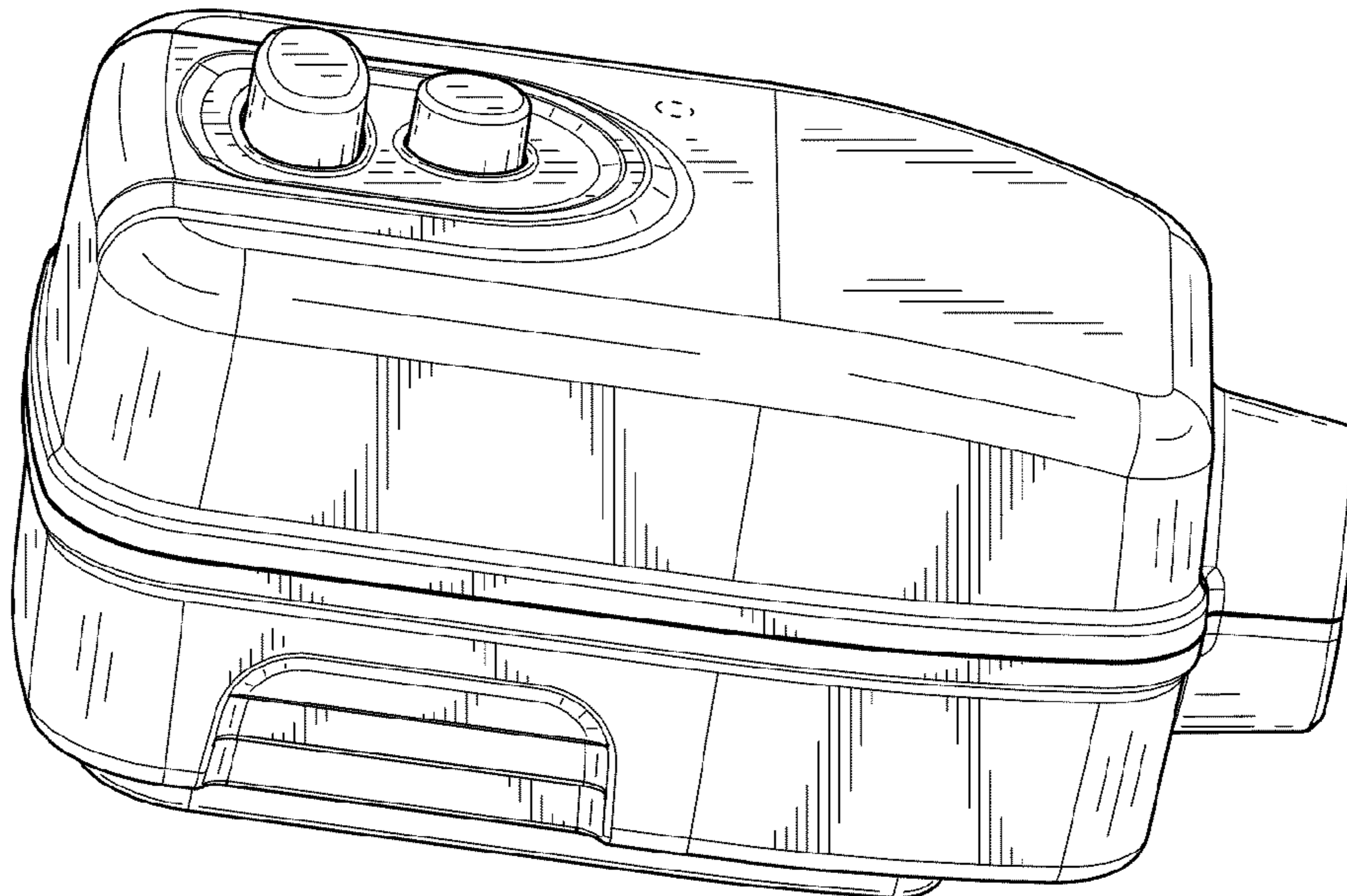
(57) **CLAIM**

The ornamental design for an electrical device, as shown and described.

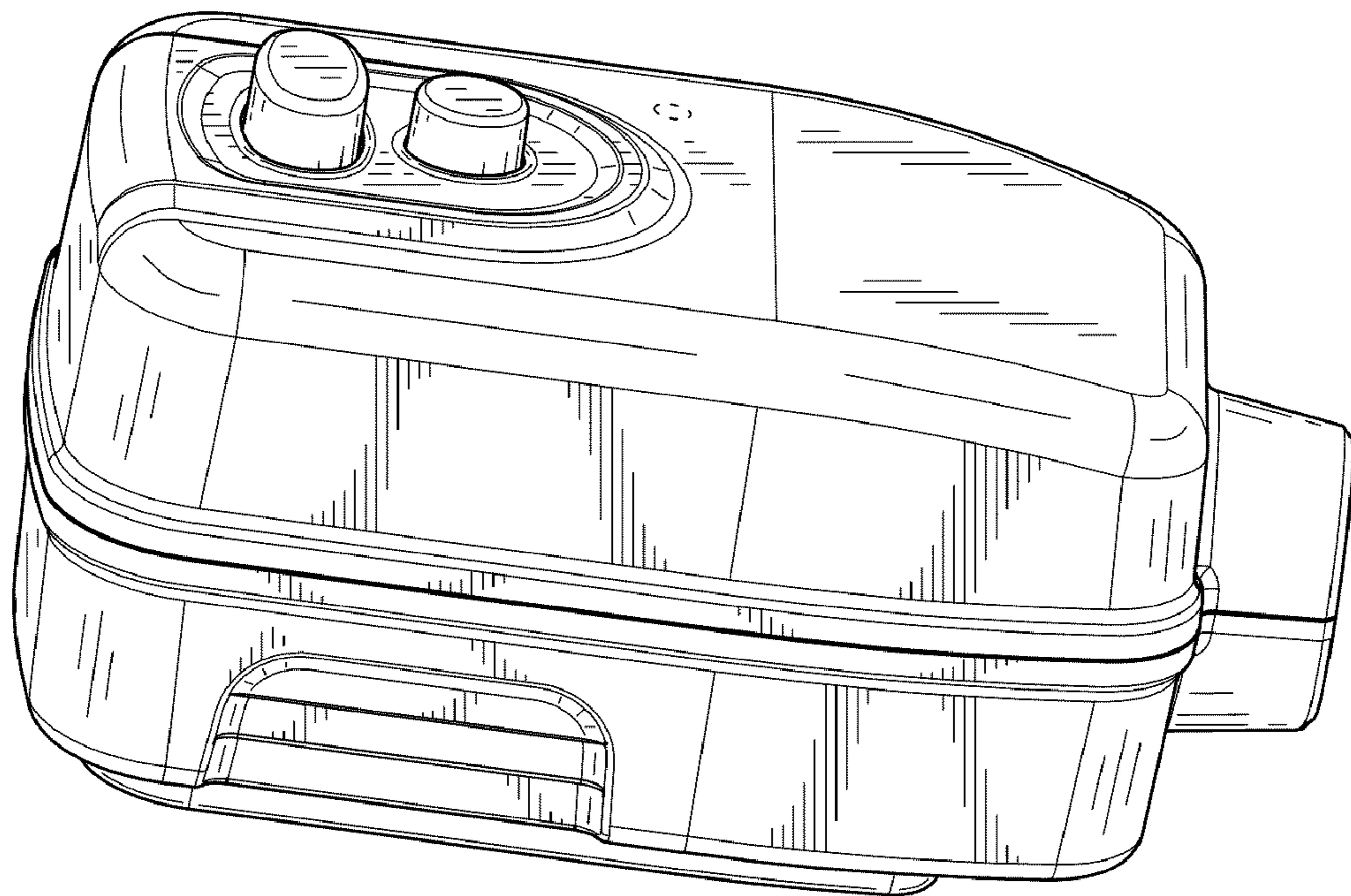
**DESCRIPTION**

FIG. 1 is a perspective view of an electrical device showing my new design;  
FIG. 2 is a top plan view thereof;  
FIG. 3 is a bottom plan view thereof;  
FIG. 4 is a rear elevational view thereof, the front elevational view being a mirror image thereof;  
FIG. 5 is a right side elevational view thereof; and,  
FIG. 6 is a left side elevational view thereof.  
The portions of the electrical device shown in broken lines form no part of the claimed design.

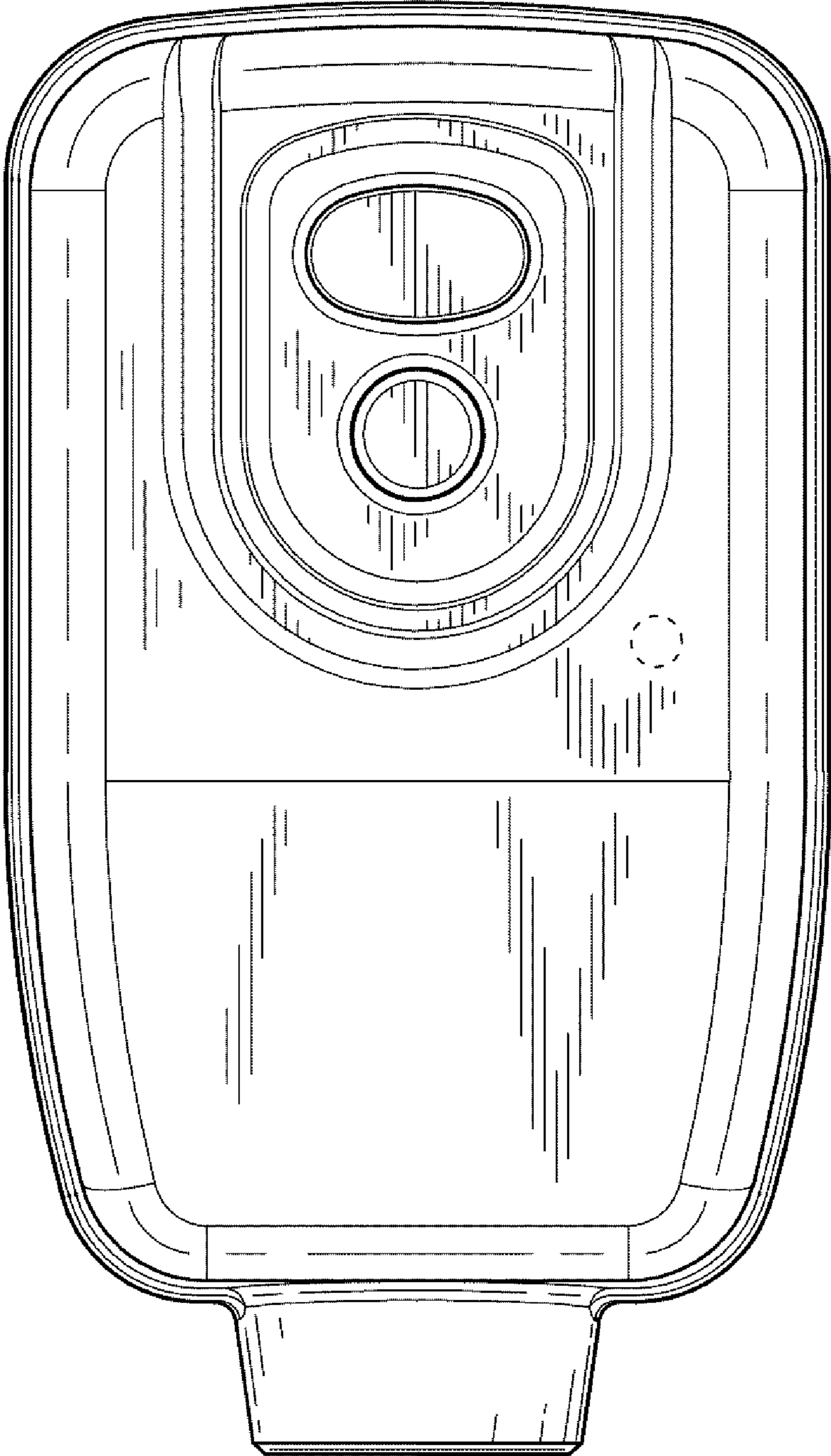
**1 Claim, 5 Drawing Sheets**



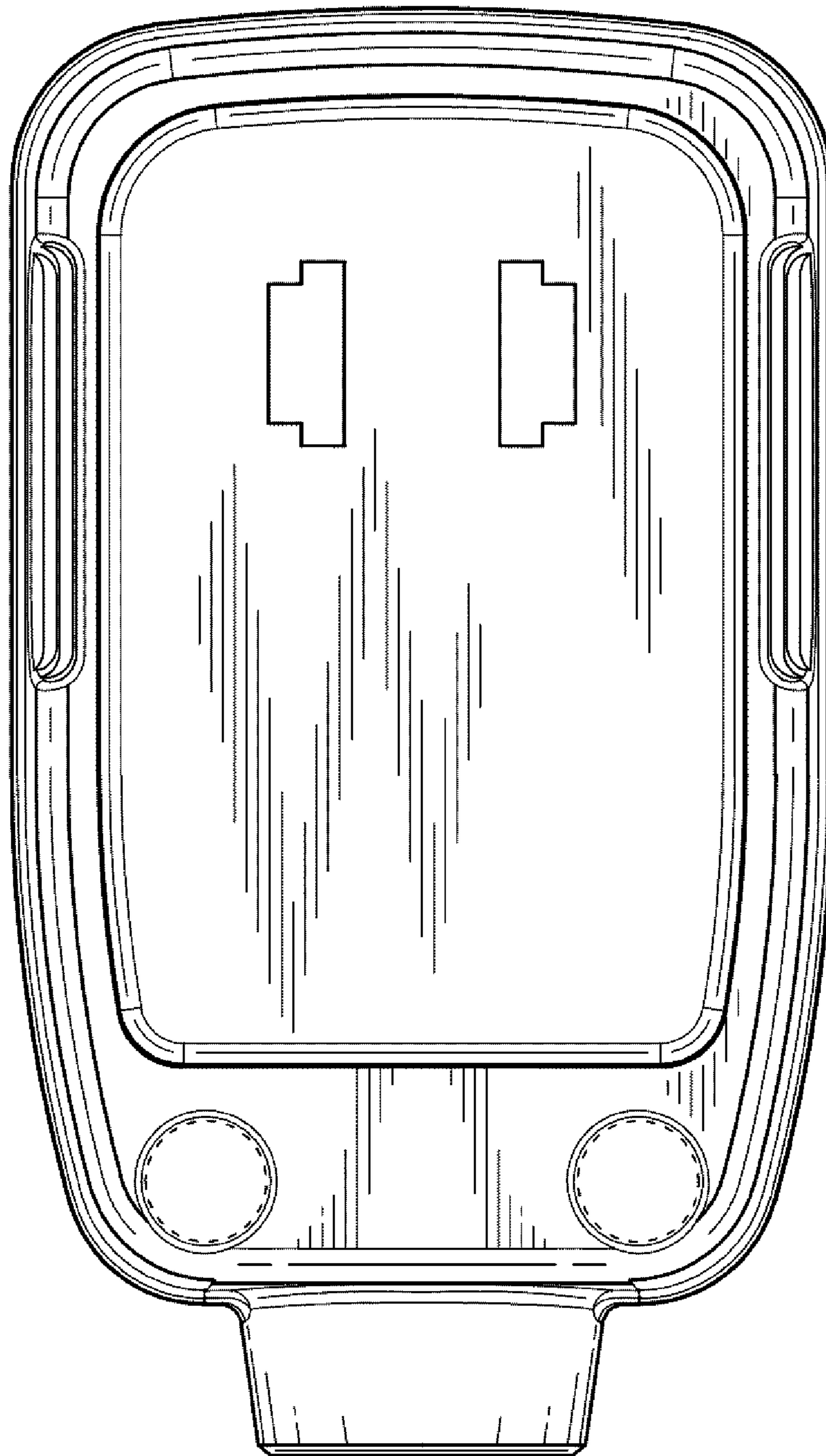
*FIG. 1*



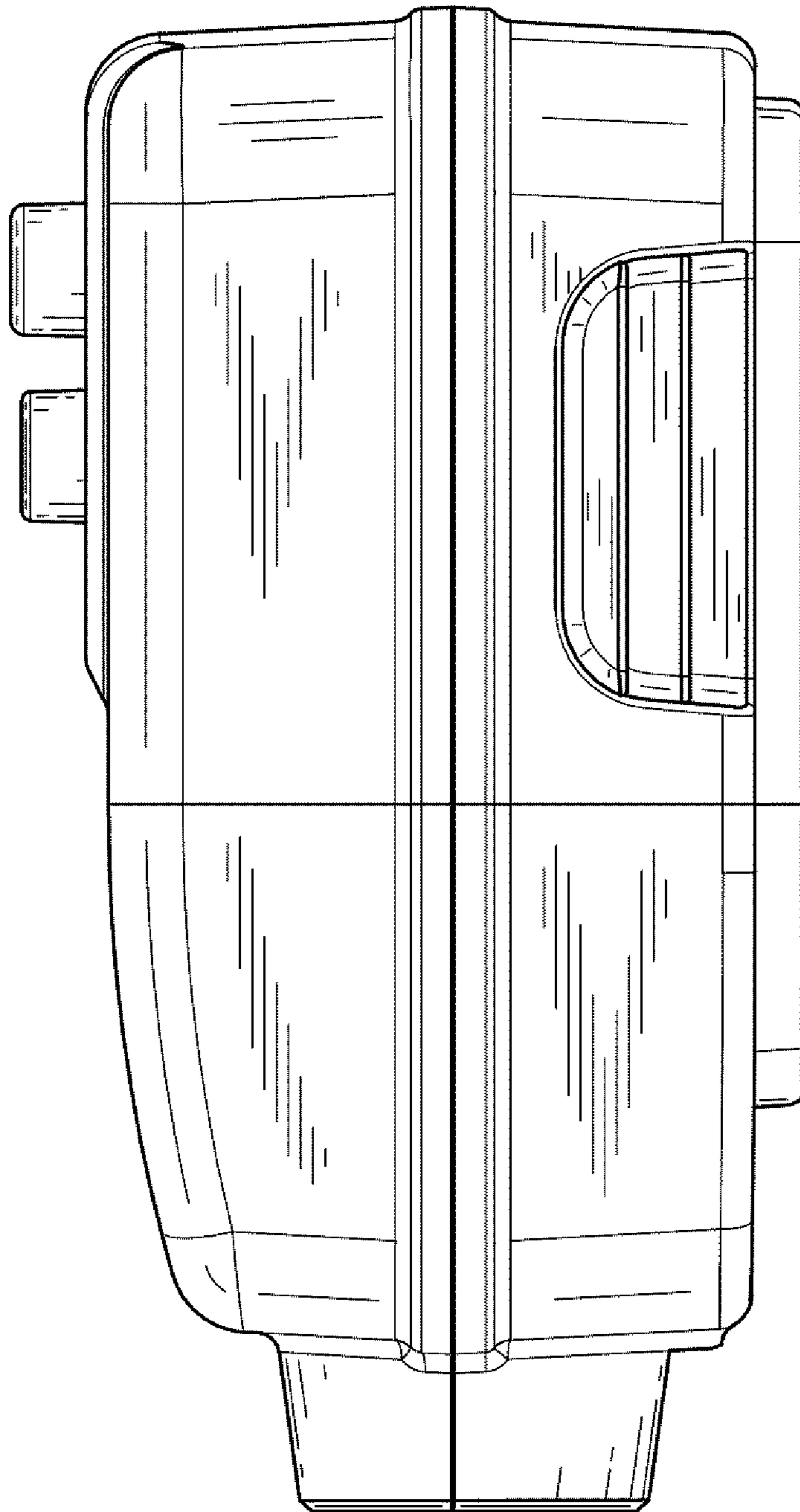
*FIG. 2*



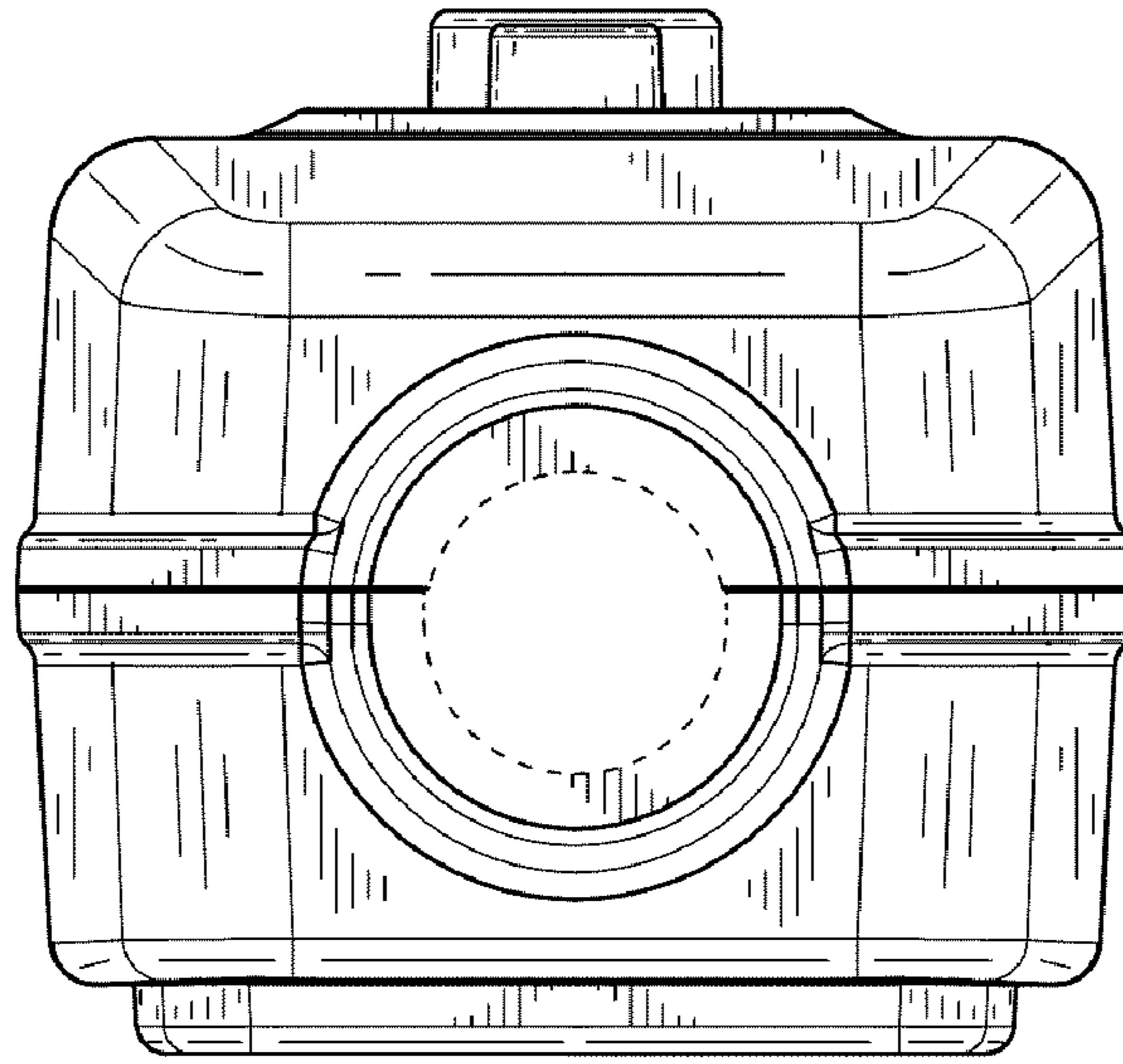
*FIG. 3*



*FIG. 4*



*FIG. 5*



*FIG. 6*

