



US00D652798S

(12) **United States Design Patent**
Sekine et al.

(10) **Patent No.:** **US D652,798 S**
(45) **Date of Patent:** **** Jan. 24, 2012**

(54) **ELECTRICAL CONNECTOR**

(75) Inventors: **Takashi Sekine**, Kanagawa (JP);
Kenichi Yamaguchi, Kanagawa (JP)

(73) Assignee: **Iriso Electronics Co., Ltd.**, Kanagawa
(JP)

(**) Term: **14 Years**

(21) Appl. No.: **29/381,569**

(22) Filed: **Dec. 21, 2010**

(30) **Foreign Application Priority Data**

Sep. 1, 2010 (JP) 2010-021146

(51) **LOC (9) Cl.** **13-03**

(52) **U.S. Cl.** **D13/133**

(58) **Field of Classification Search** D13/133,
D13/146-147, 154, 156, 184; 439/180, 252,
439/278, 280, 374, 375, 378, 488, 489, 491,
439/527, 529, 533, 892, 894, 607.01, 607.04,
439/607.05, 607.06, 607.17, 607.21, 607.23,
439/607.25, 607.34, 607.41, 607.53, 660

See application file for complete search history.

(56) **References Cited**

U.S. PATENT DOCUMENTS

D384,034	S	*	9/1997	Kuprewicz et al.	D13/133
D524,736	S	*	7/2006	Morita et al.	D13/133
D561,101	S	*	2/2008	Sakamoto et al.	D13/133
D618,616	S	*	6/2010	Kesler	D13/133
D619,536	S	*	7/2010	Kato	D13/147
D625,688	S	*	10/2010	So	D13/133

FOREIGN PATENT DOCUMENTS

JP D1335037 6/2008

* cited by examiner

Primary Examiner — Daniel Bui

(74) *Attorney, Agent, or Firm* — Lowe Hauptman Ham & Berner, LLP

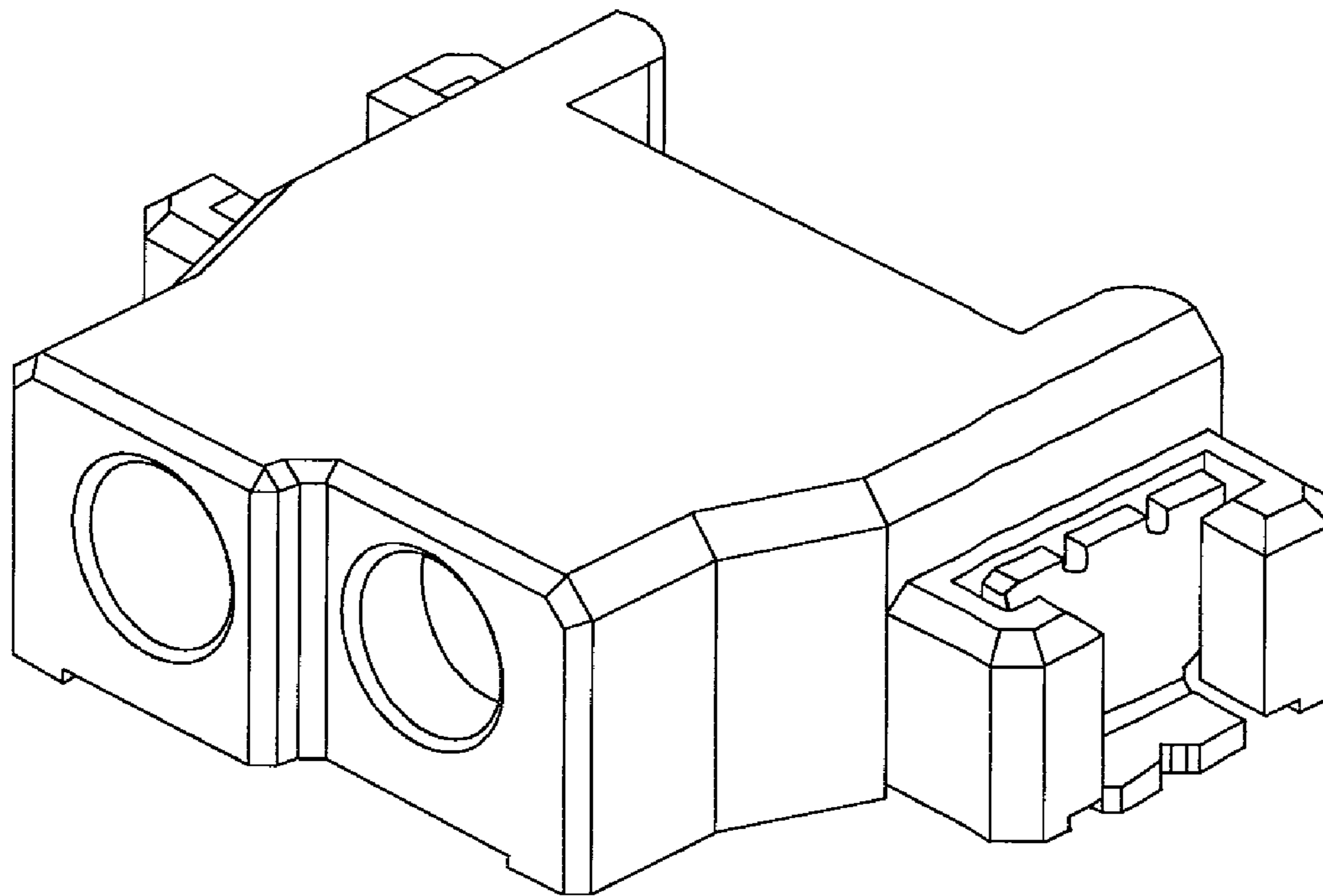
(57) **CLAIM**

The ornamental design for an electrical connector, as shown and described.

DESCRIPTION

FIG. 1 is a front elevation view of an electrical connector showing our new design;
FIG. 2 is a rear elevation view thereof;
FIG. 3 is a right side elevation view thereof;
FIG. 4 is a left side elevation view thereof;
FIG. 5 is a top plan view thereof;
FIG. 6 is a bottom plan view thereof; and
FIG. 7 is a top perspective view thereof.

1 Claim, 5 Drawing Sheets



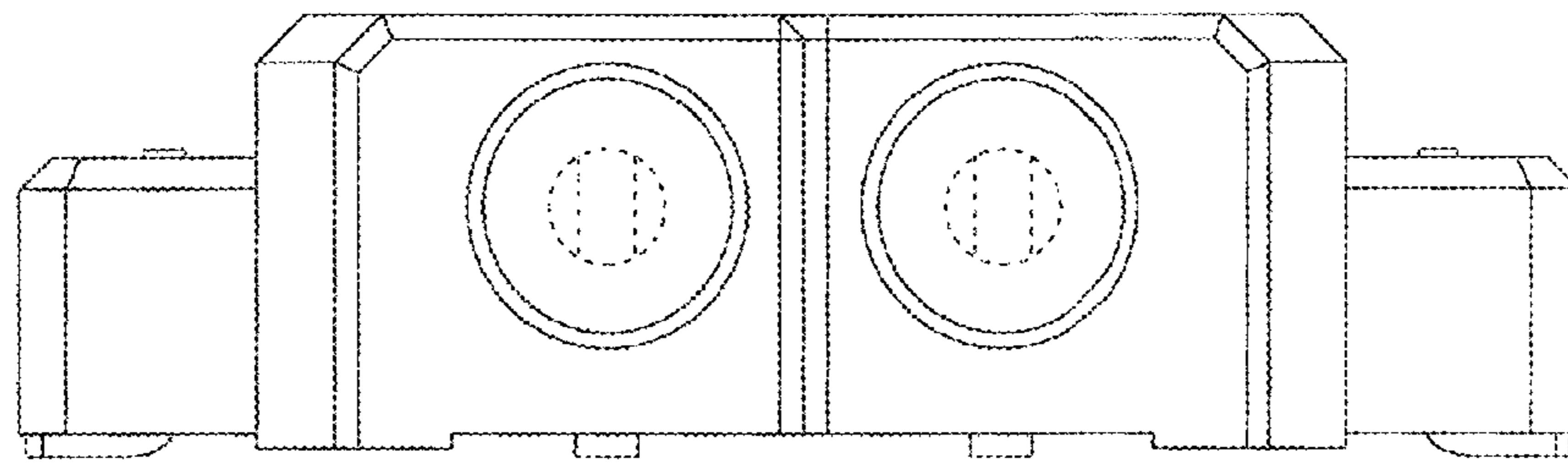


FIG. 1

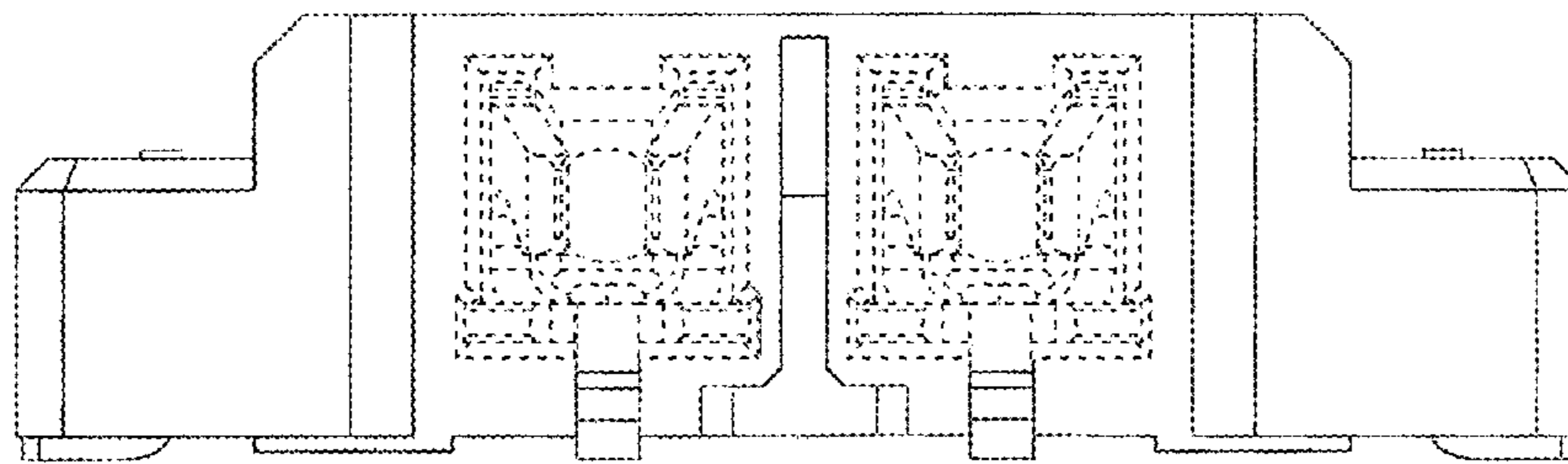


FIG. 2

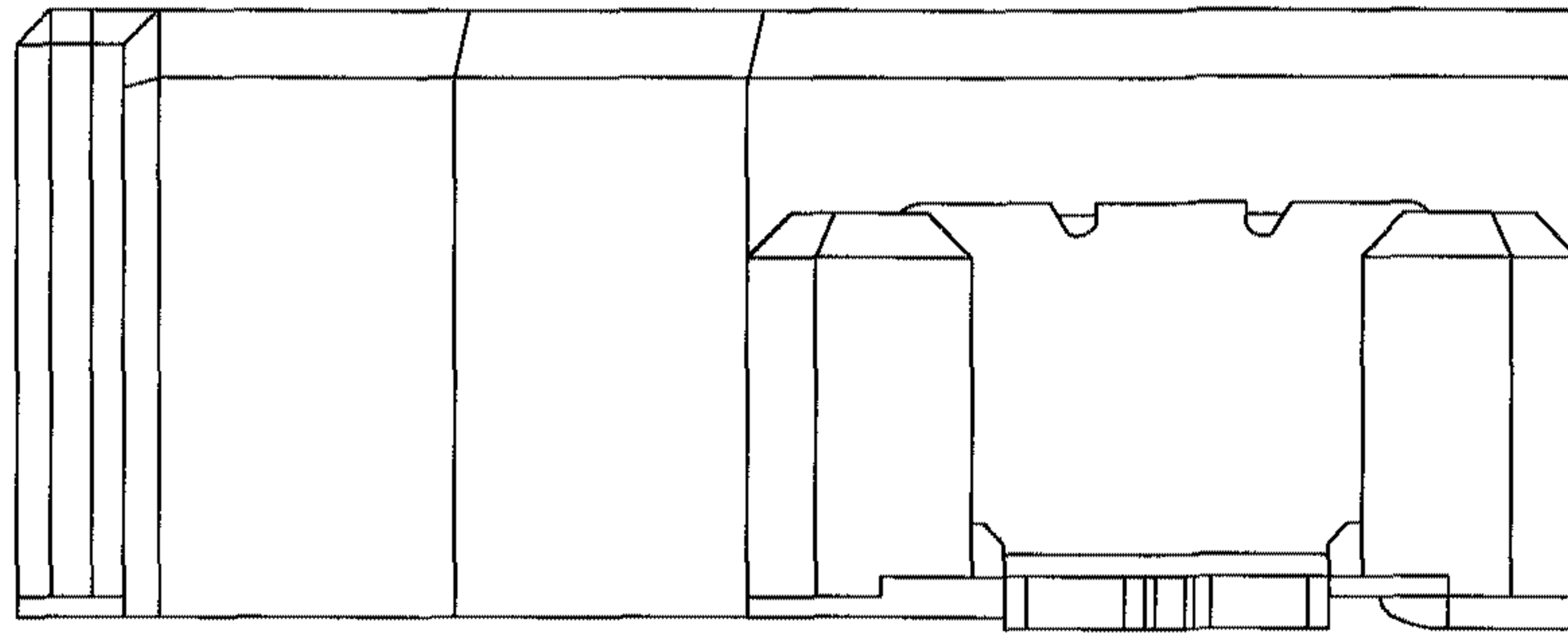


FIG. 3

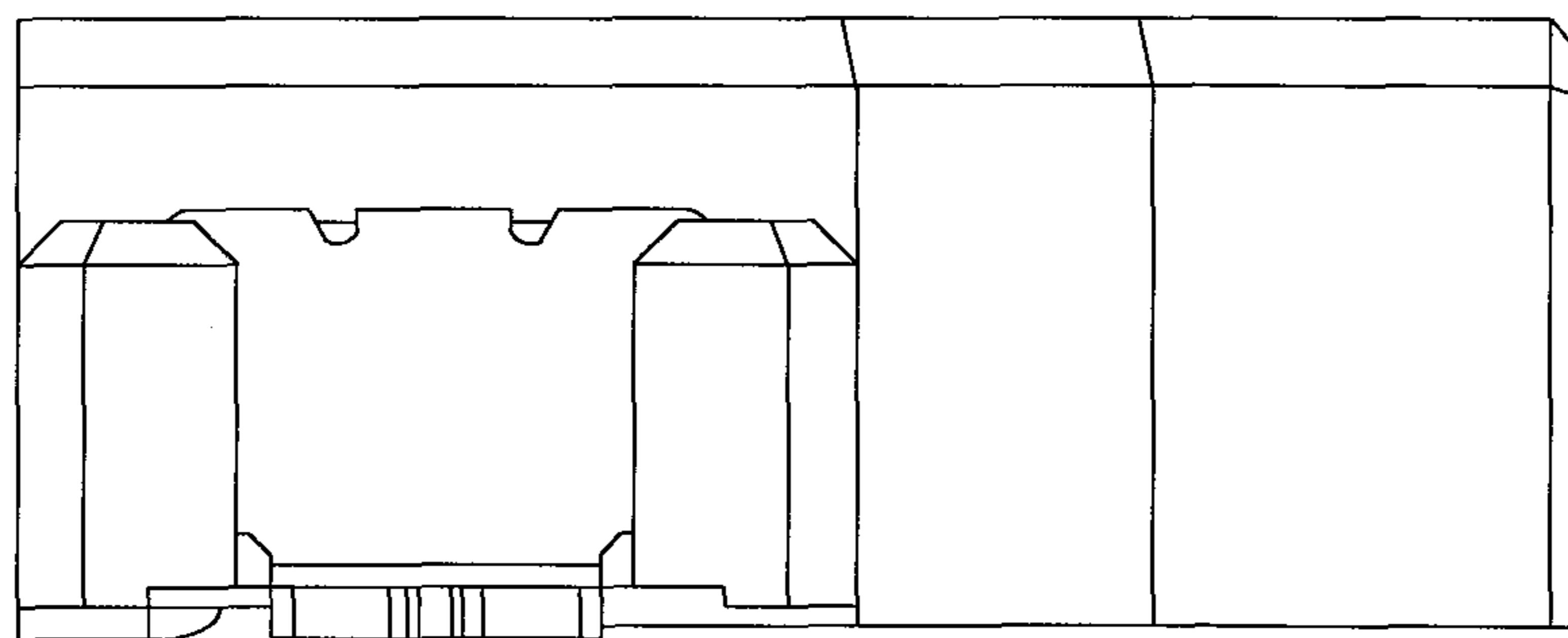


FIG. 4

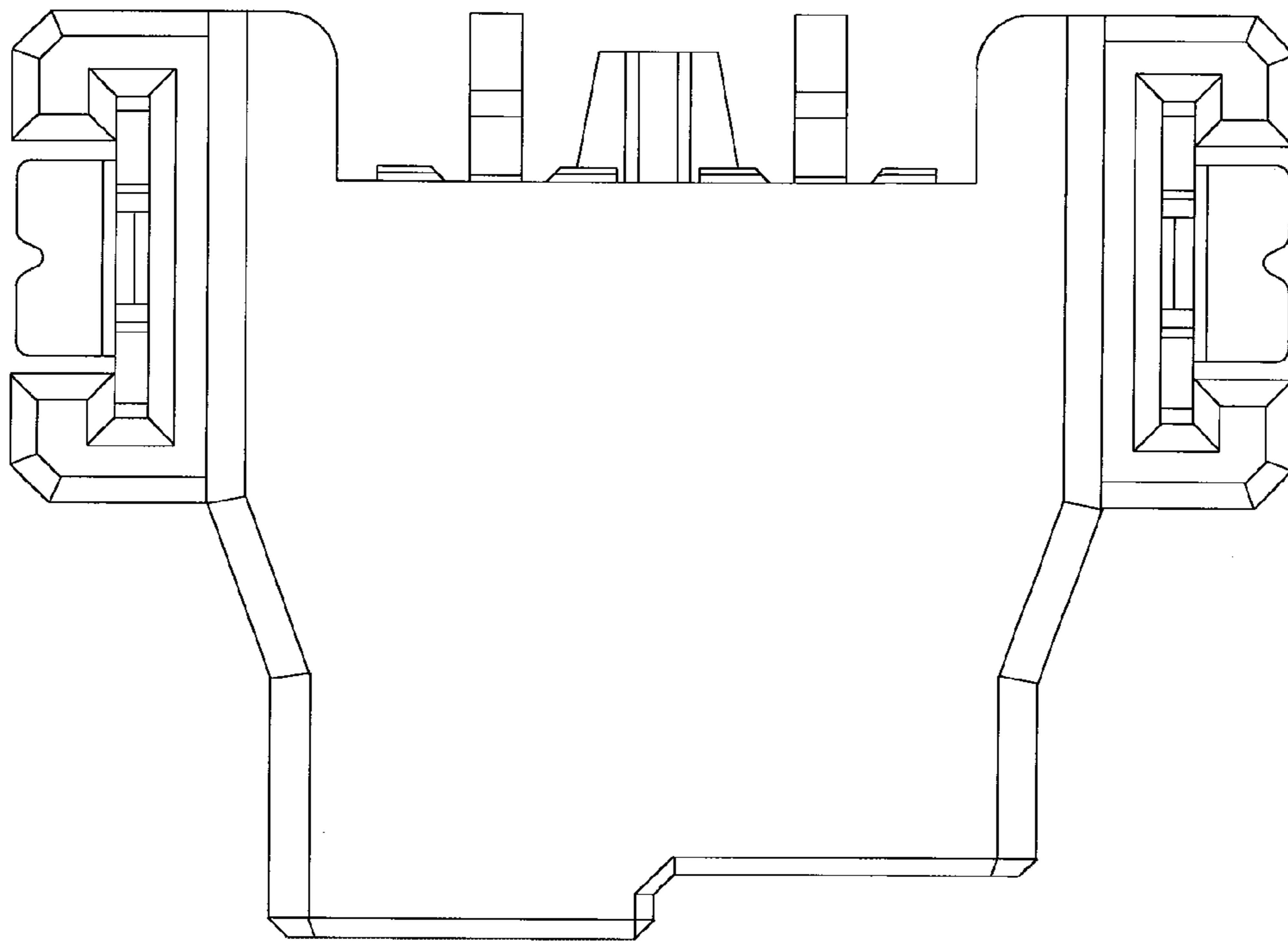


FIG. 5

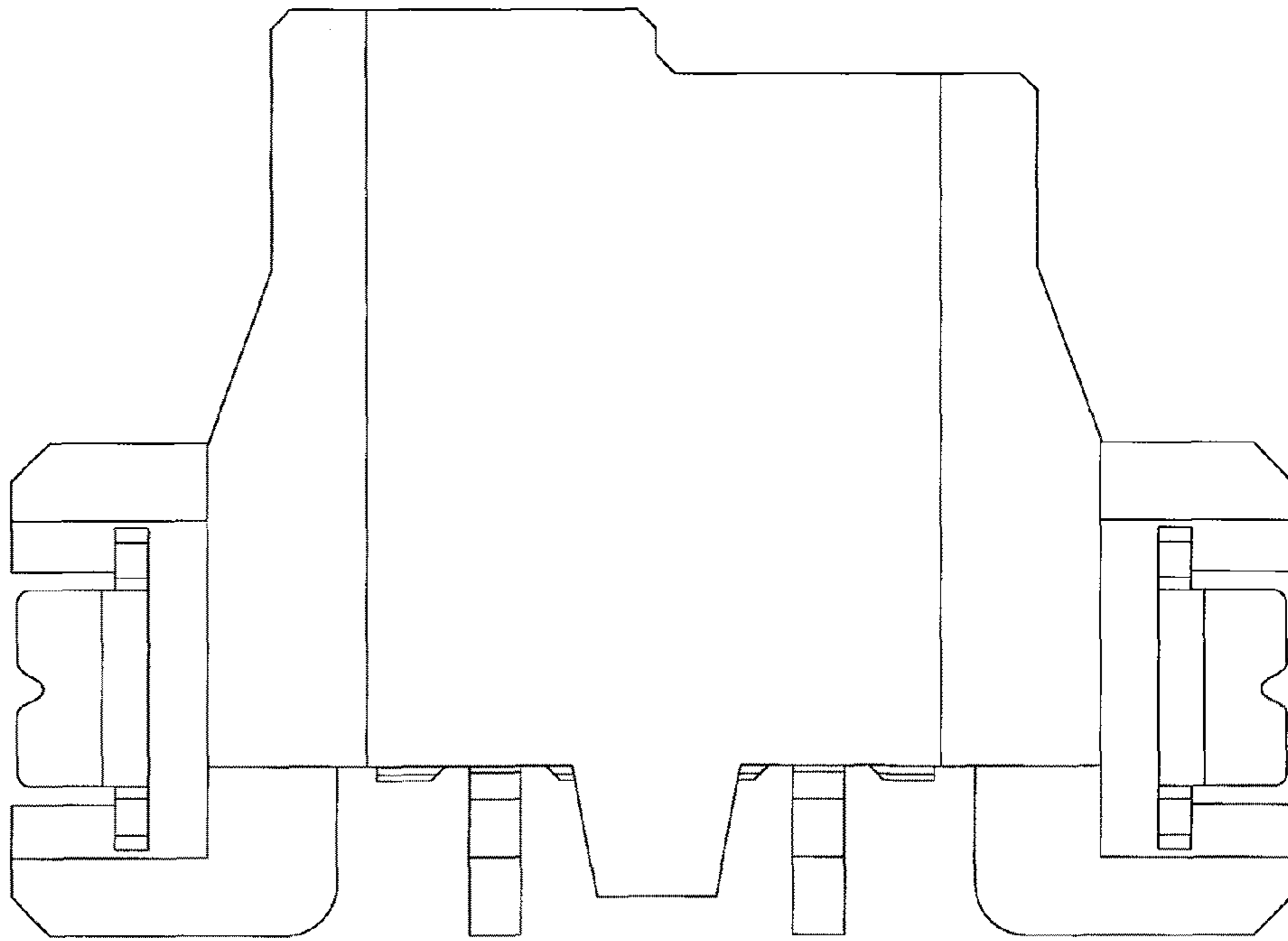


FIG. 6

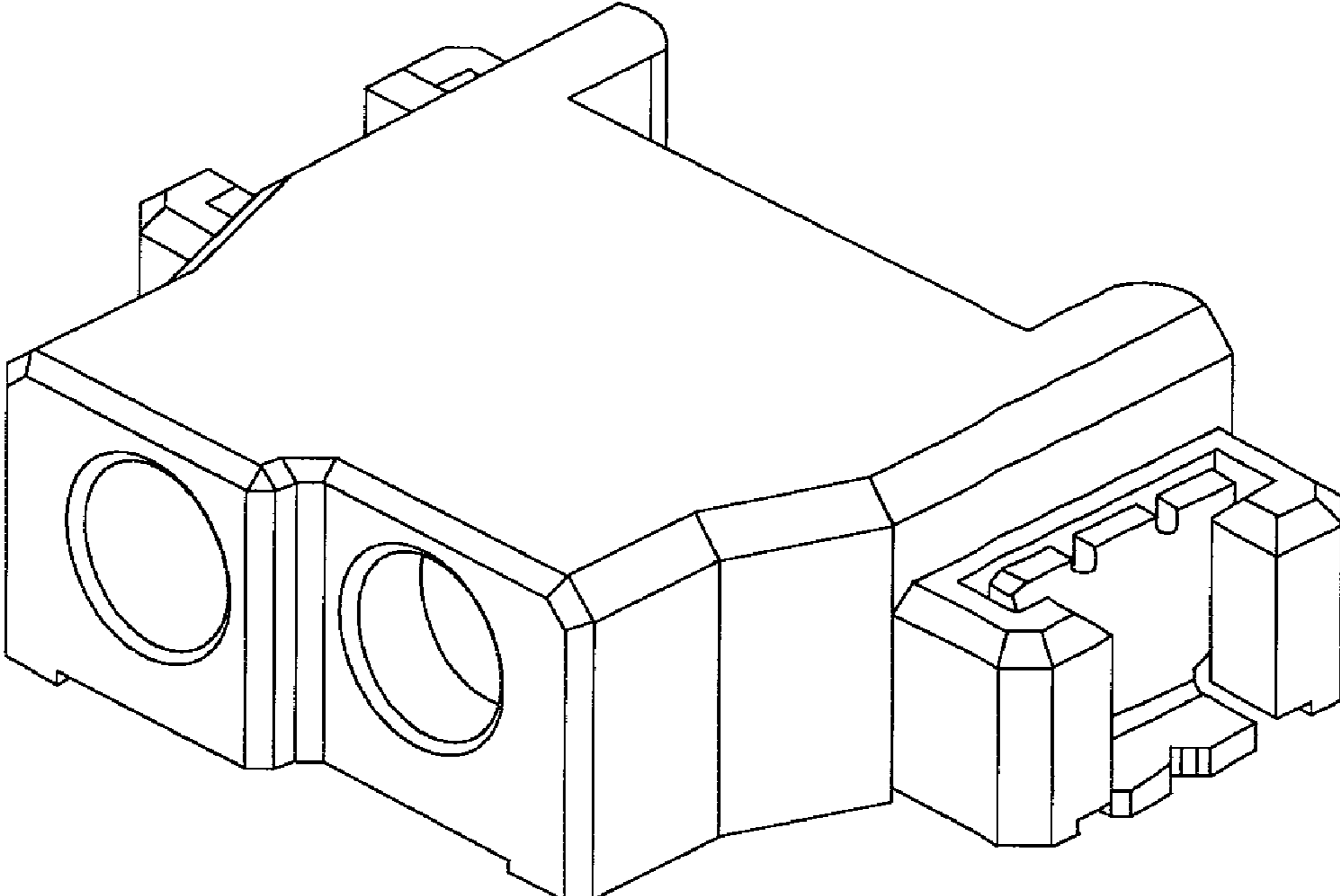


FIG. 7