



US00D652797S

(12) **United States Design Patent**
Smith et al.

(10) **Patent No.:** **US D652,797 S**
(45) **Date of Patent:** **** *Jan. 24, 2012**

(54) **DUAL POWER QUAD SIGNAL BOARD-MOUNTABLE CONNECTOR**

(75) Inventors: **Nathan T Smith**, Worcester, MA (US);
Craig H Baker, Shrewsbury, MA (US)

(73) Assignee: **Anderson Power Products, Inc.**,
Sterling, MA (US)

(*) Notice: This patent is subject to a terminal disclaimer.

(**) Term: **14 Years**

(21) Appl. No.: **29/368,334**

(22) Filed: **Aug. 23, 2010**

(51) **LOC (9) Cl.** **13-03**

(52) **U.S. Cl.** **D13/133**

(58) **Field of Classification Search** D13/133,
D13/146-147, 154, 156, 184; 439/180, 252,
439/278, 280, 290-293, 328, 374, 375, 378,
439/483, 488, 489, 491, 500, 525, 529, 533,
439/592-593, 680, 892, 894

See application file for complete search history.

(56) **References Cited**

U.S. PATENT DOCUMENTS

3,794,957 A * 2/1974 Winkler 439/295
6,994,595 B2 * 2/2006 Baker et al. 439/680
7,004,795 B2 * 2/2006 Mancini et al. 439/701

D519,924 S * 5/2006 Baker et al. D13/133
D578,065 S * 10/2008 Baker et al. D13/133
D612,807 S * 3/2010 Mancini et al. D13/133
D615,039 S * 5/2010 Mancini et al. D13/133
D641,700 S * 7/2011 Ohkuma D13/133
D641,701 S * 7/2011 Ohkuma D13/133
D642,128 S * 7/2011 Ohkuma D13/133
D643,817 S * 8/2011 Ando et al. D13/133

* cited by examiner

Primary Examiner — Thomas Johannes

(74) *Attorney, Agent, or Firm* — Vern Maine & Associates

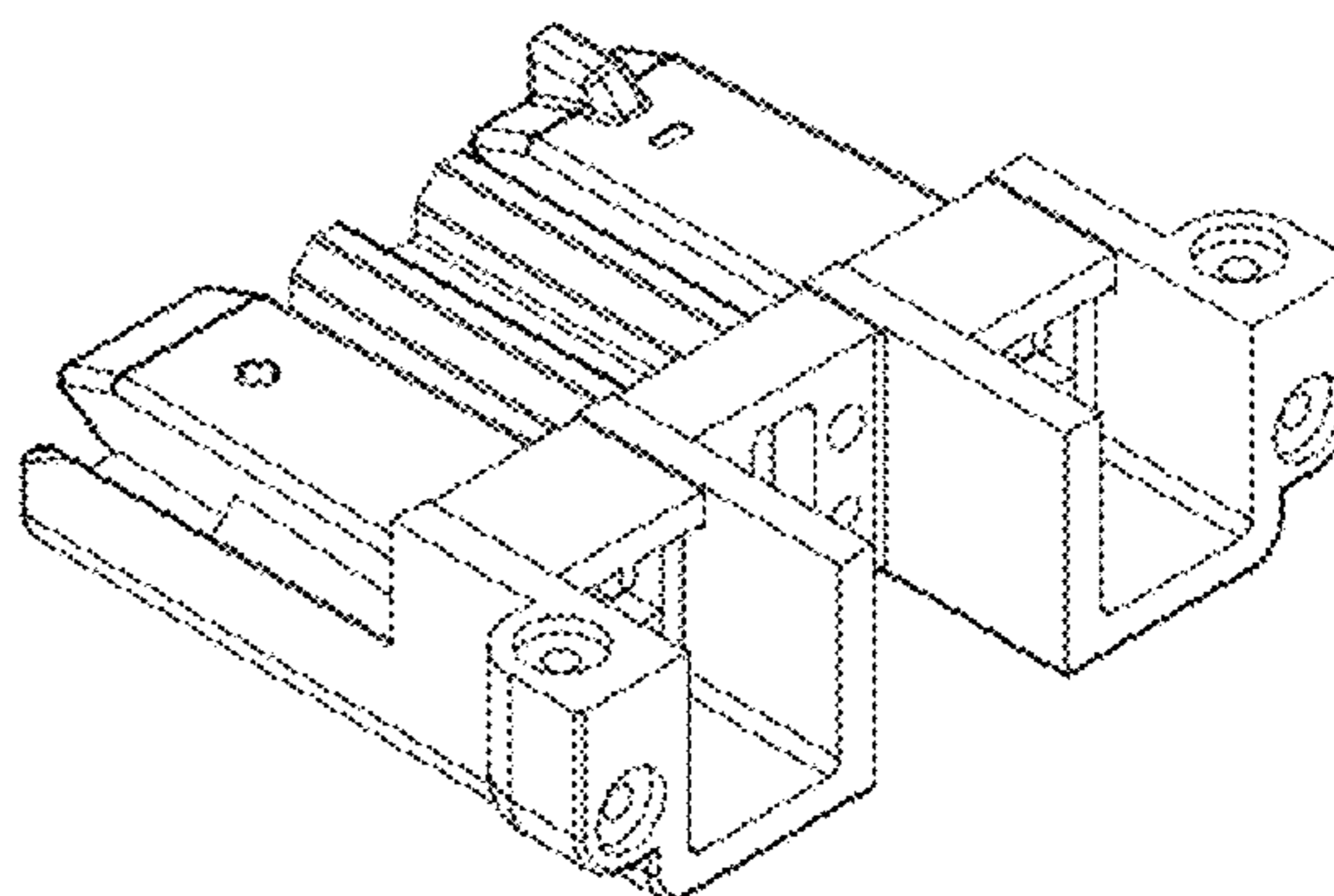
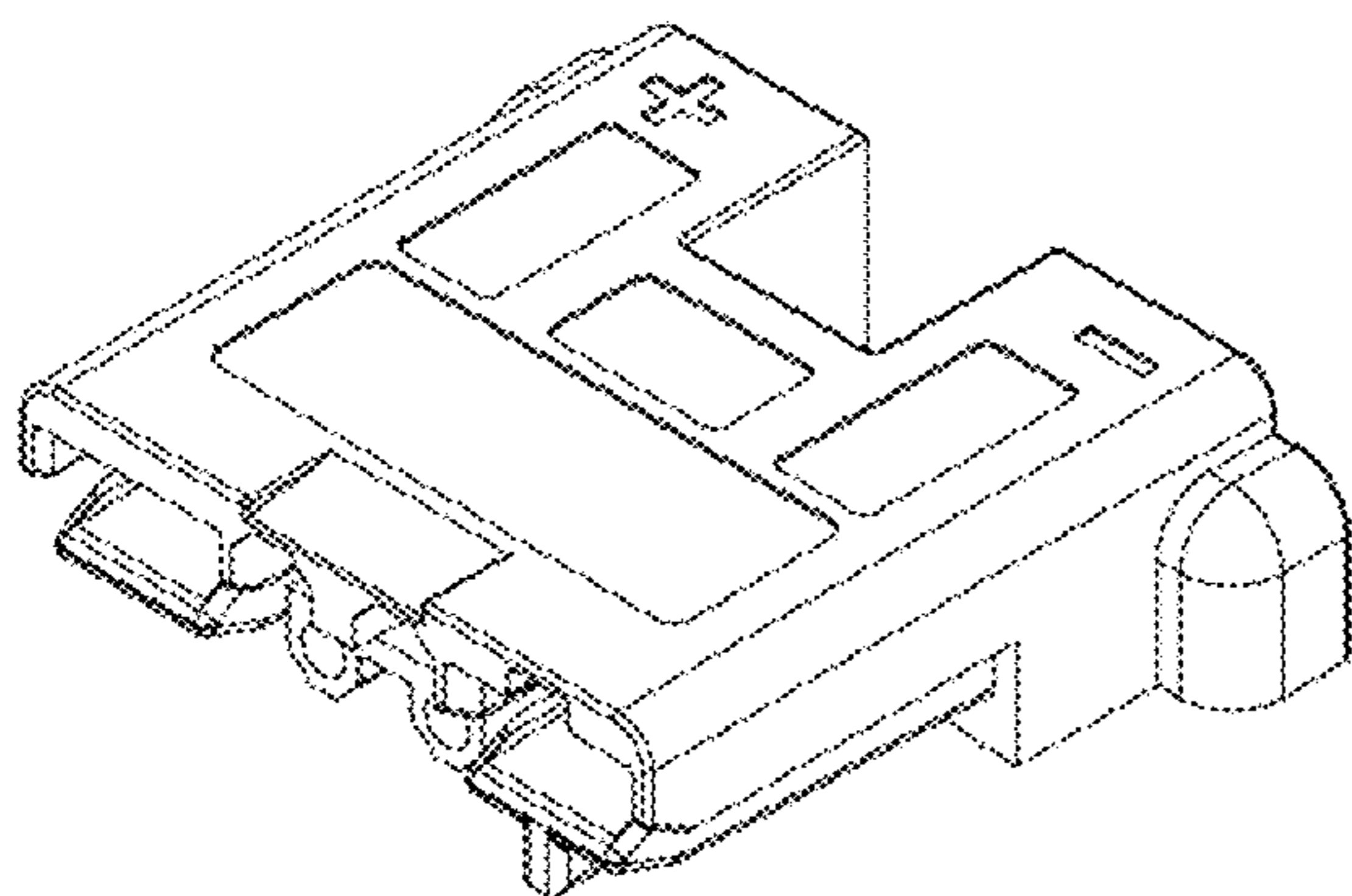
(57) **CLAIM**

The ornamental design for a dual power quad signal board-mountable connector, as shown and described.

DESCRIPTION

FIG. 1 is a front view of a dual power quad signal board-mountable connector showing our new design;
FIG. 2 is a back view thereof;
FIG. 3 is a top view thereof;
FIG. 4 is a bottom view thereof;
FIG. 5 is a right side view thereof;
FIG. 6 is a left side view thereof;
FIG. 7 is a front, top perspective view thereof; and,
FIG. 8 is a back, bottom perspective view thereof.
The broken line portion of the figure drawings is included to show unclaimed subject matter only and forms no part of the claimed design.

1 Claim, 8 Drawing Sheets



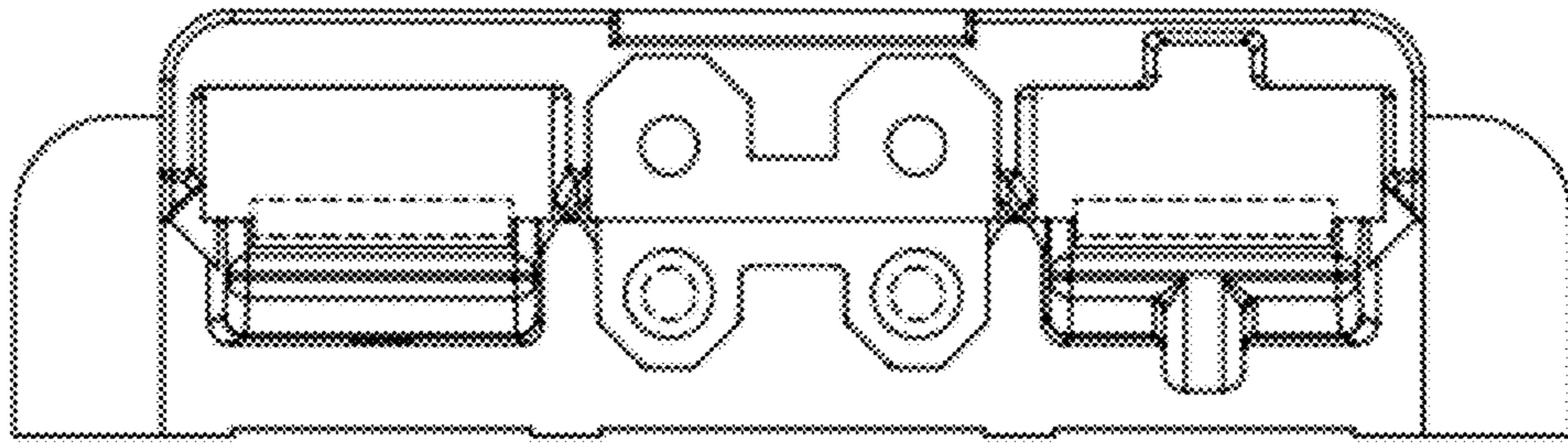


FIG. 1

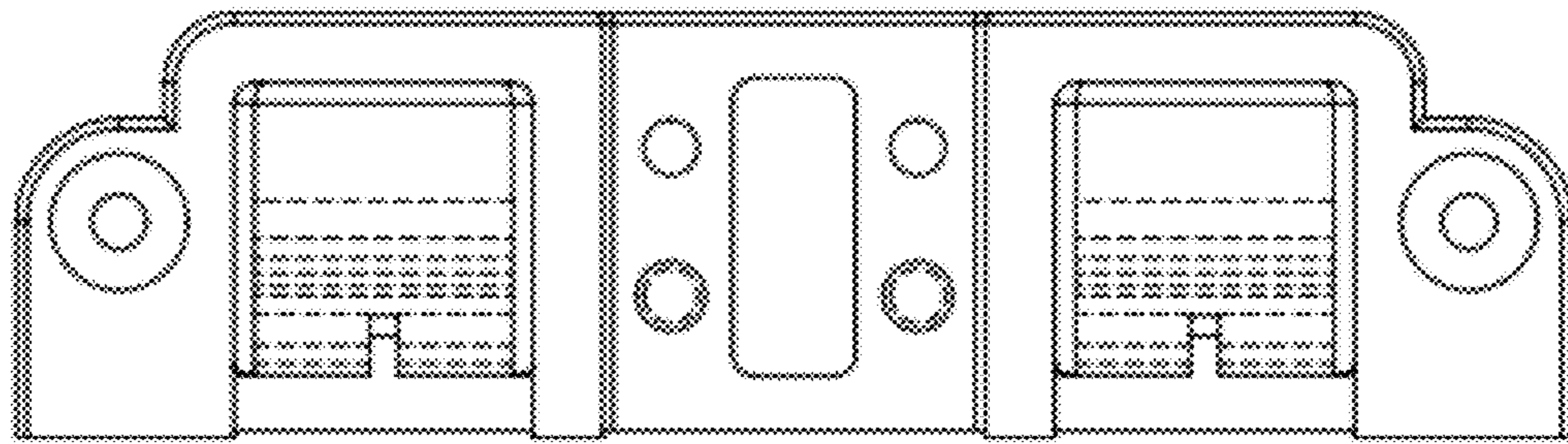


FIG. 2

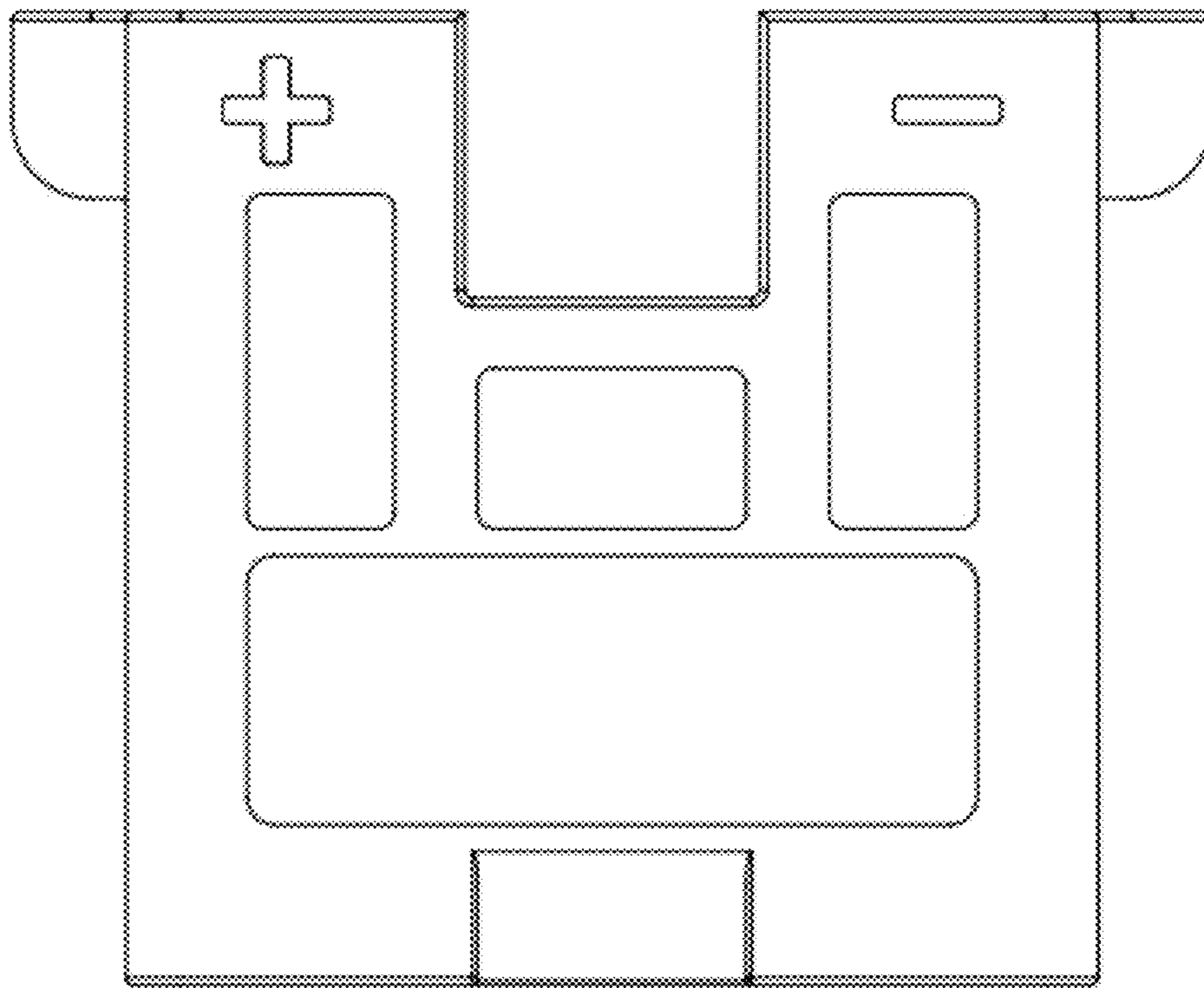


FIG. 3

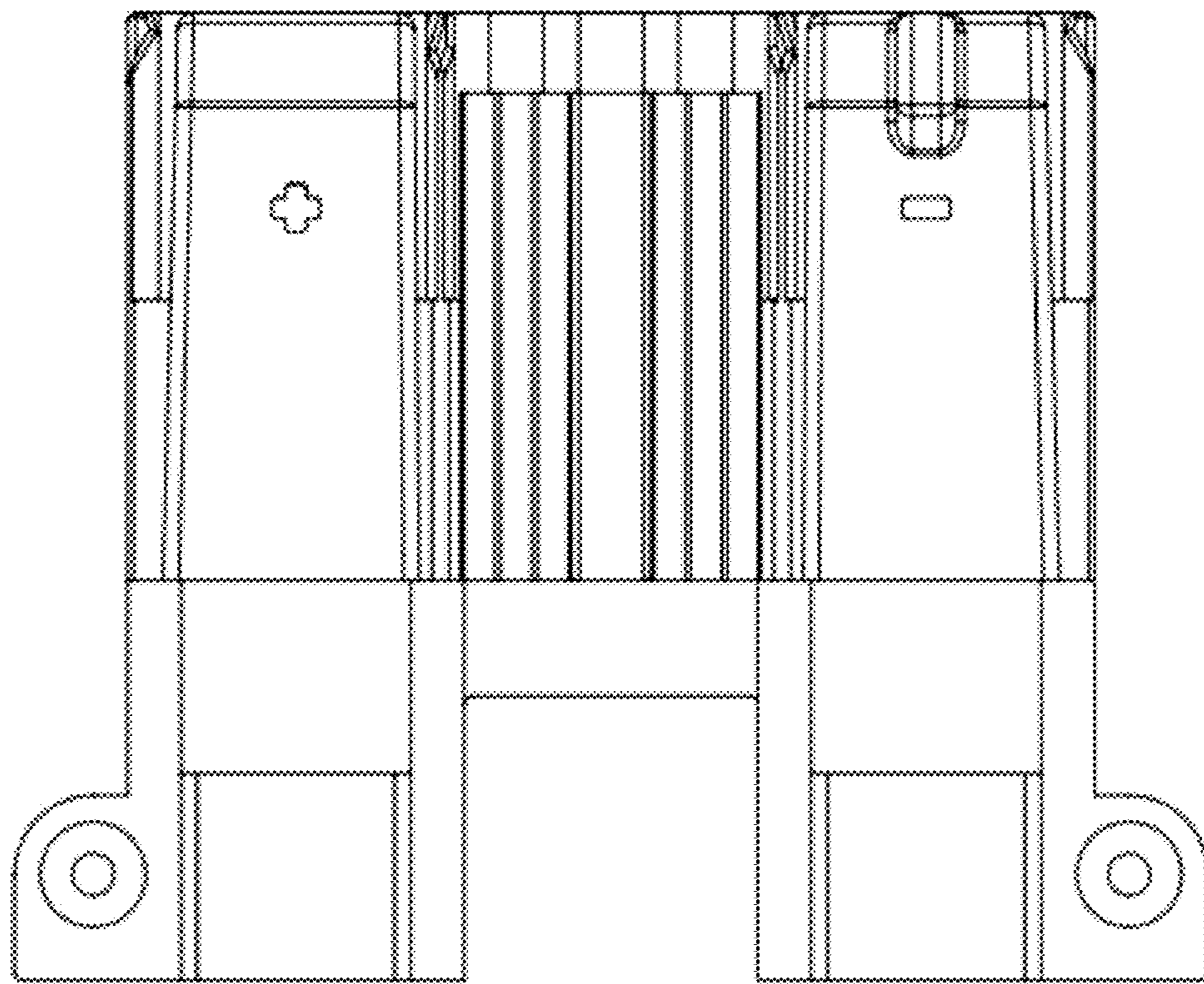


FIG. 4

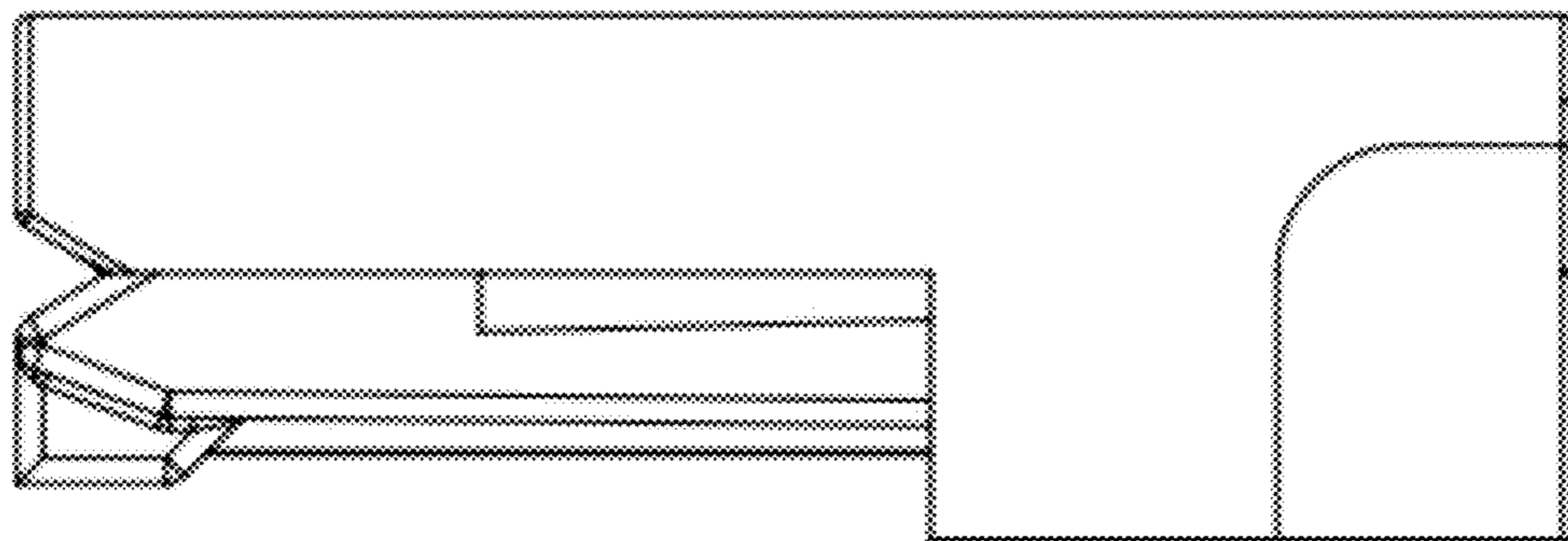


FIG. 5

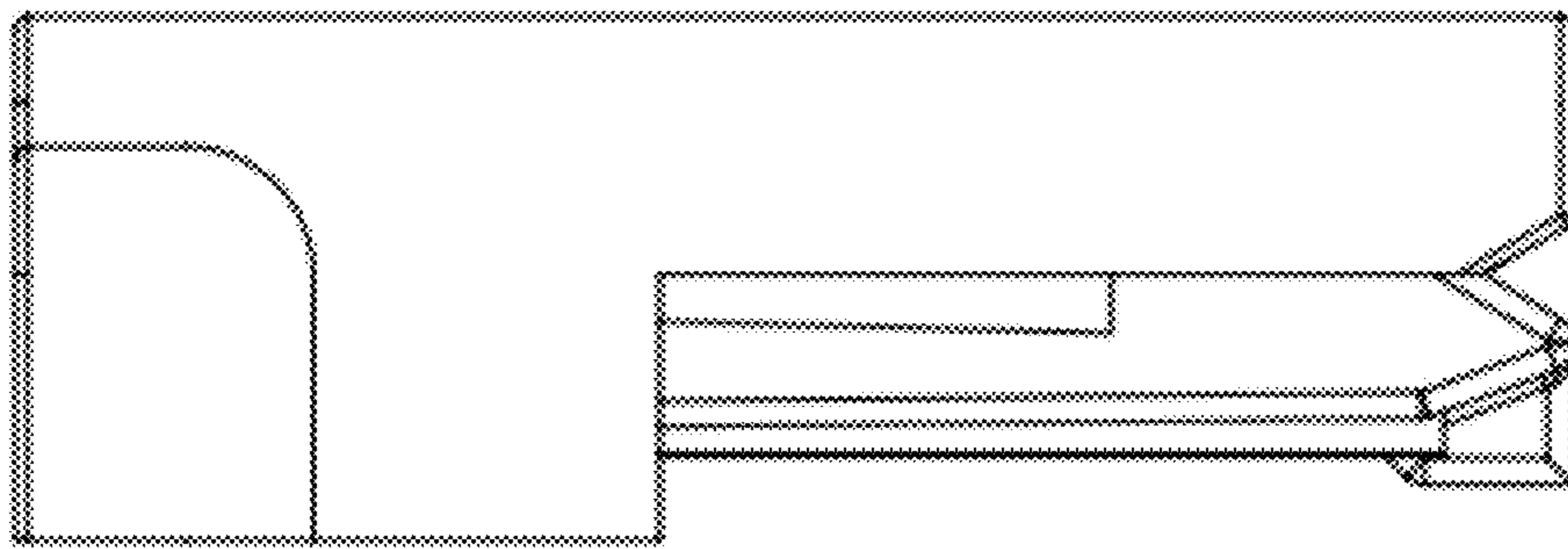


FIG. 6

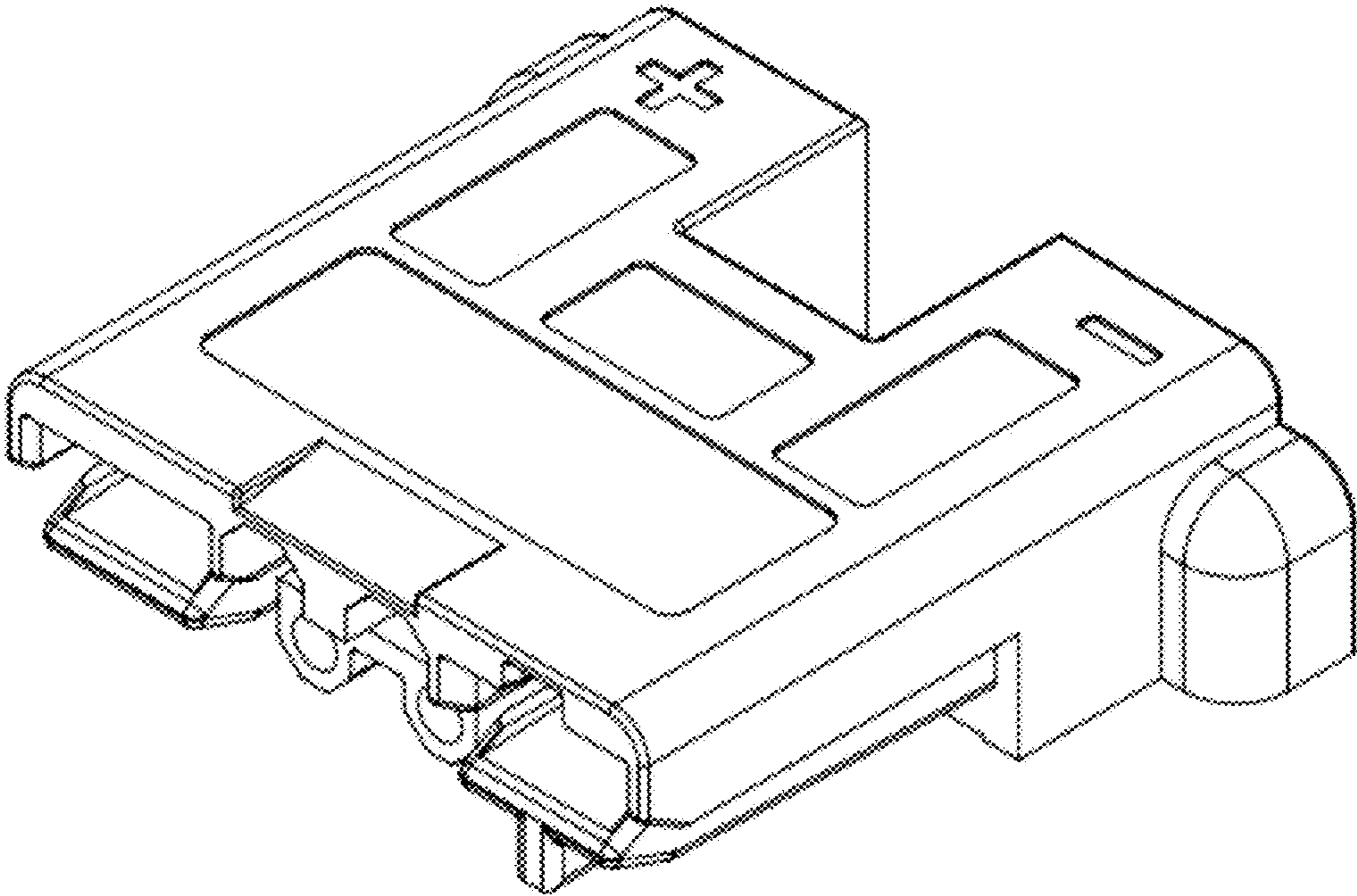


FIG. 7

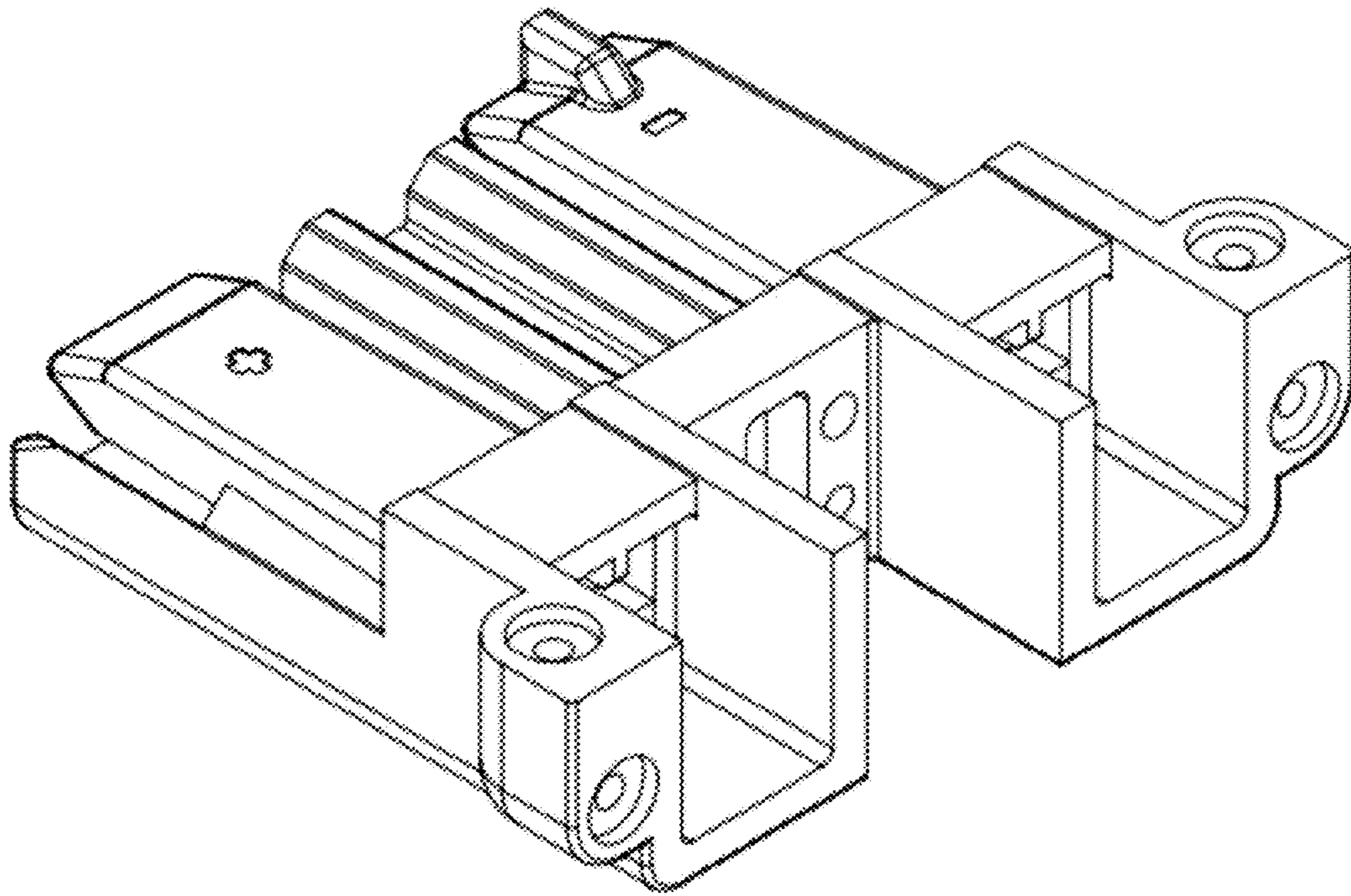


FIG. 8