



US00D652795S

(12) **United States Design Patent**  
**Attanasio**

(10) **Patent No.:** **US D652,795 S**

(45) **Date of Patent:** **\*\* Jan. 24, 2012**

(54) **FUEL CELL HANGER**

(56) **References Cited**

(76) **Inventor:** **Gerald E. Attanasio**, Middlebury, CT  
(US)

U.S. PATENT DOCUMENTS

6,268,077	B1 *	7/2001	Kelley et al.	429/421
7,115,335	B2 *	10/2006	Eggum	429/443
D539,734	S *	4/2007	Brady et al.	D13/110
D574,767	S *	8/2008	Hall et al.	D13/101

(\*\*) **Term:** **14 Years**

\* cited by examiner

(21) **Appl. No.:** **29/353,609**

*Primary Examiner* — Derrick Holland

(74) *Attorney, Agent, or Firm* — Raymond A. Nuzzo

(22) **Filed:** **Jan. 12, 2010**

(57) **CLAIM**

The ornamental design for a fuel cell hanger, as shown and described.

(51) **LOC (9) Cl.** ..... **13-02**

**DESCRIPTION**

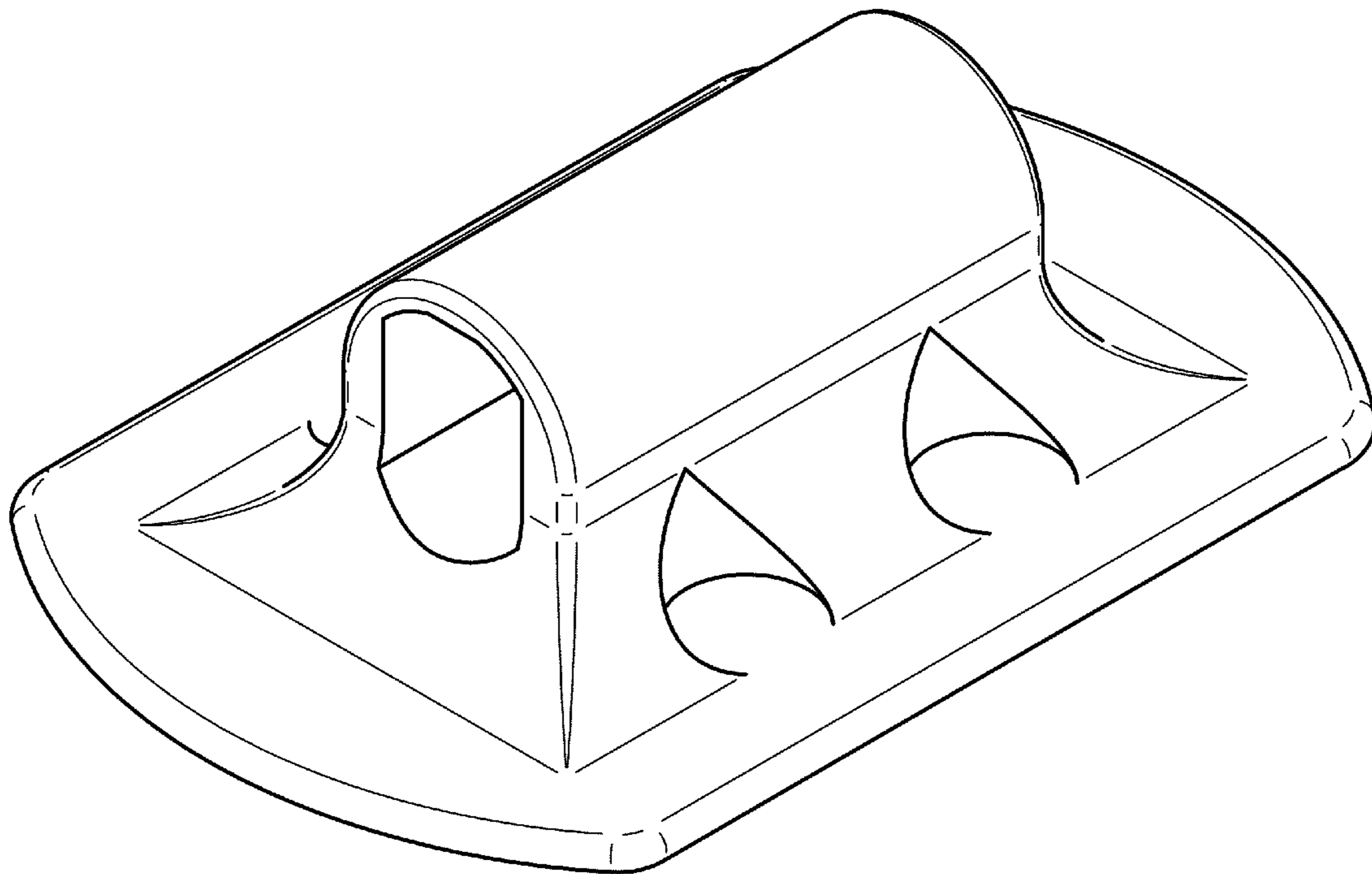
(52) **U.S. Cl.** ..... **D13/118**

(58) **Field of Classification Search** ..... D13/118,  
D13/101, 110, 113, 114, 184, 199; D3/272,  
D3/276, 281; D9/414, 432; 206/0.6, 0.7;  
220/560.01, 560.04; 261/28, 29; 429/12,  
429/17, 19, 20, 30, 34–39

FIG. 1 is a perspective view of the fuel cell hanger;  
FIG. 2 is a top plan view of the fuel cell hanger;  
FIG. 3 is a front view of the fuel cell hanger;  
FIG. 4 is a rear view of the fuel cell hanger;  
FIG. 5 is a left end elevation view of the fuel cell hanger;  
FIG. 6 is a bottom view of the fuel cell hanger; and,  
FIG. 7 is a right end elevation view of the fuel cell hanger.

See application file for complete search history.

**1 Claim, 7 Drawing Sheets**



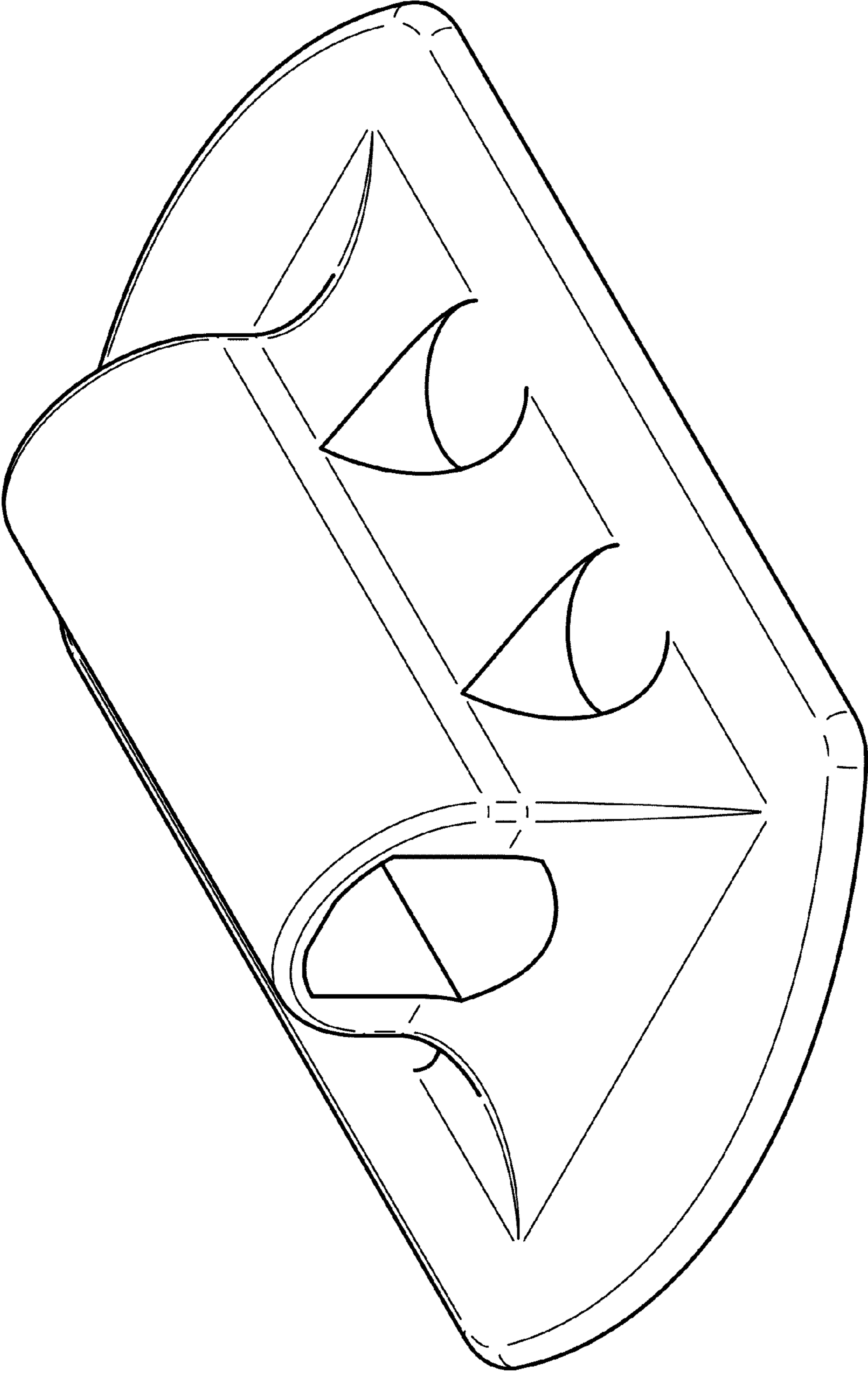


FIGURE 1

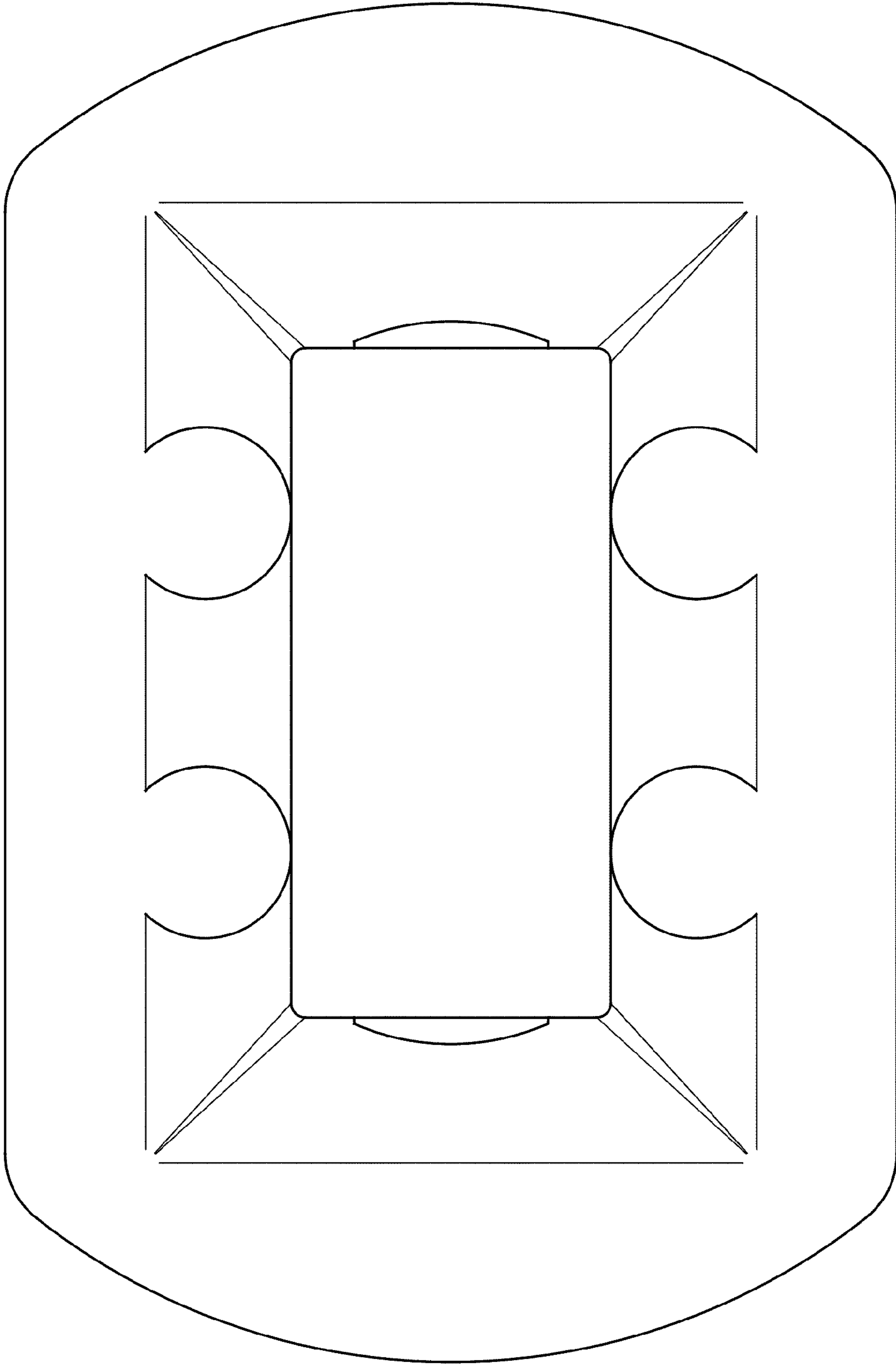


FIGURE 2

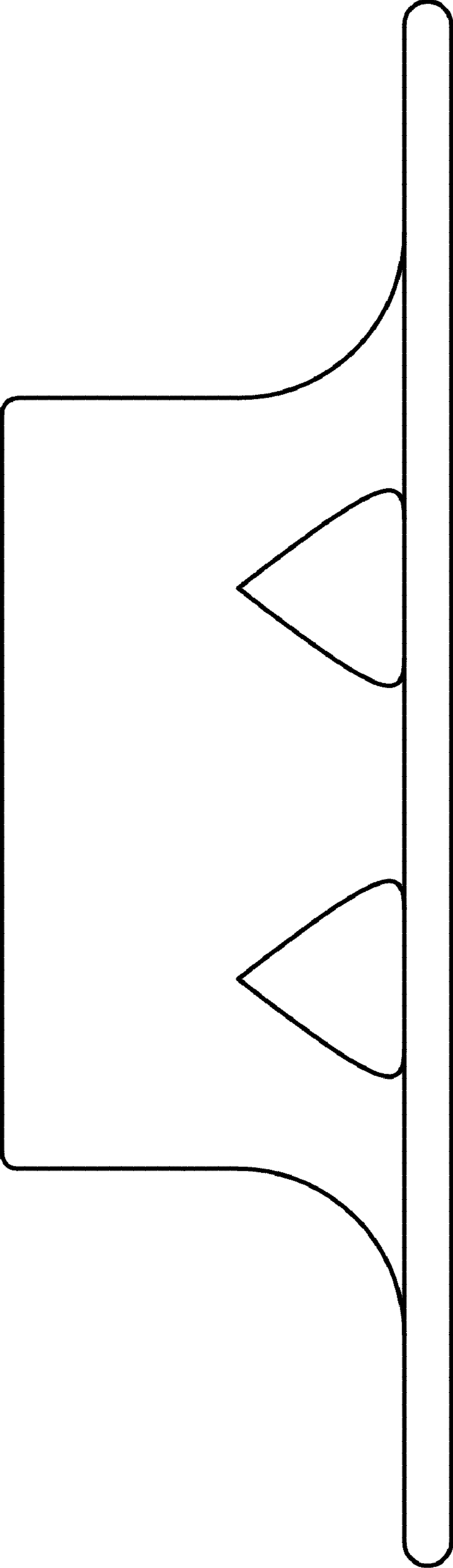


FIGURE 3

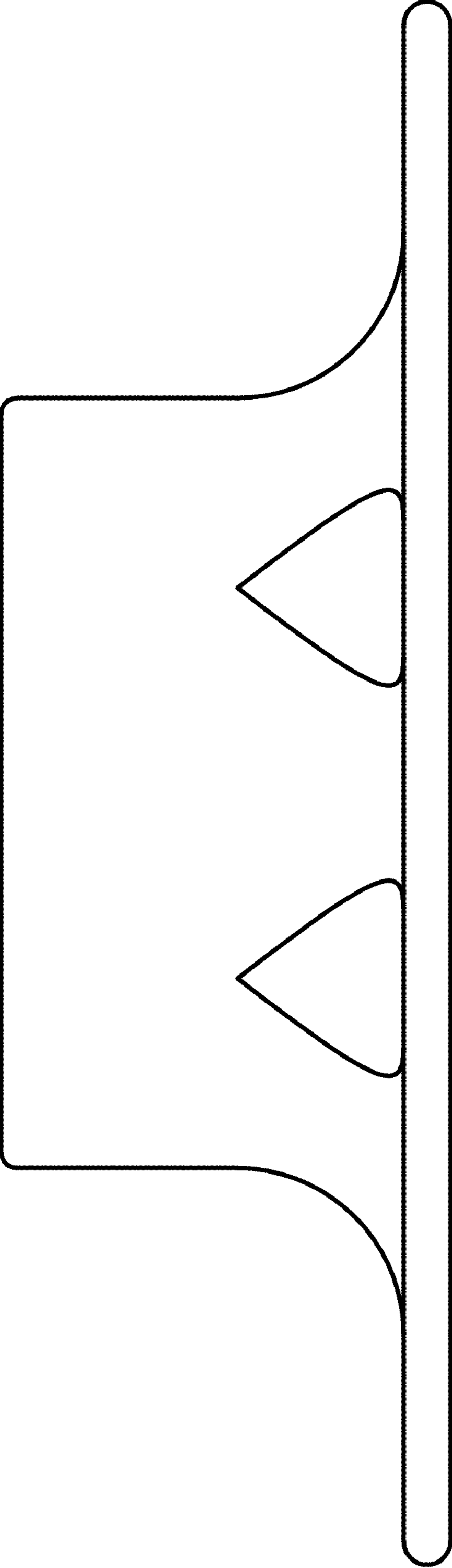


FIGURE 4

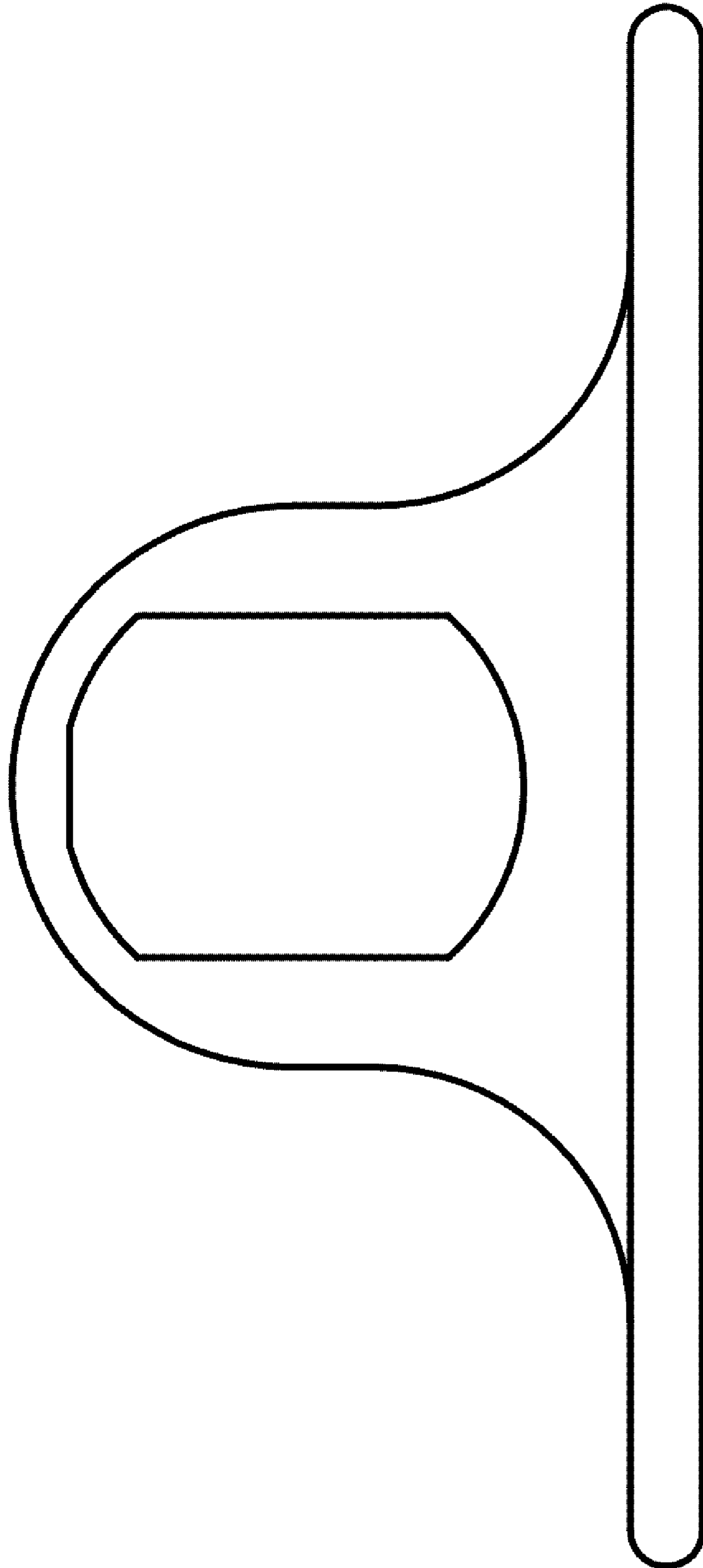


FIGURE 5

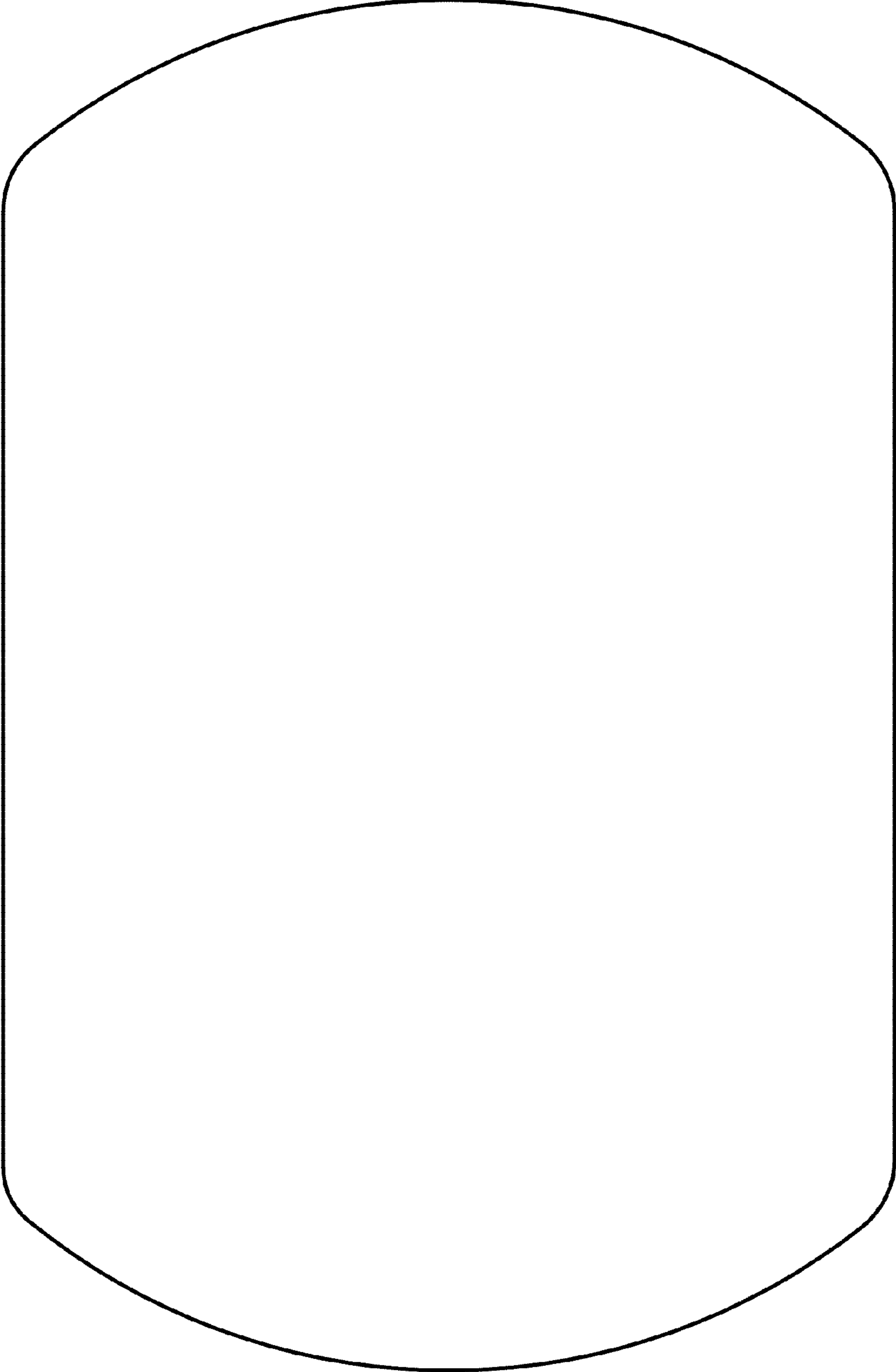


FIGURE 6

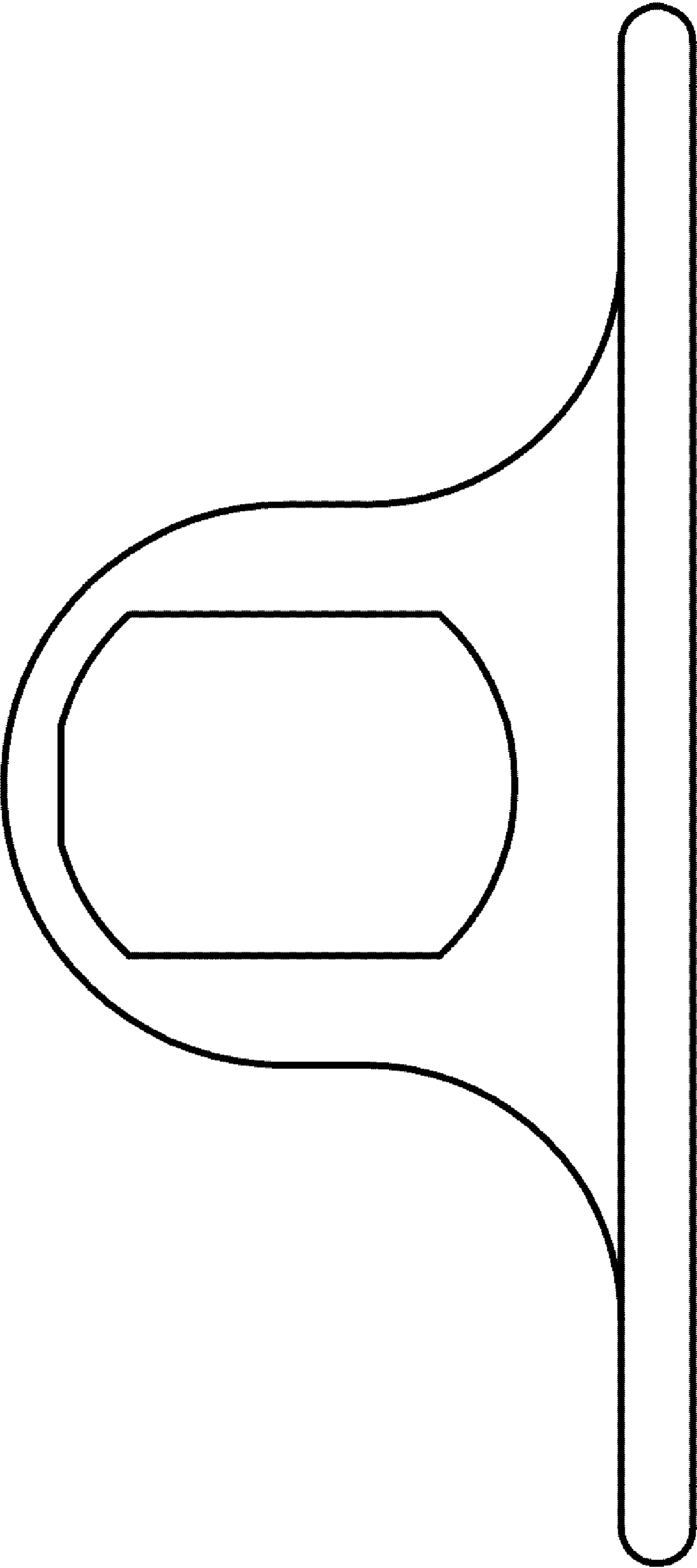


FIGURE 7