



US00D652793S

(12) **United States Design Patent**
Tschopp

(10) **Patent No.:** **US D652,793 S**

(45) **Date of Patent:** **** Jan. 24, 2012**

(54) **POWER TOOL BATTERY PACK CHARGER**

(75) **Inventor:** **Tylan A. Tschopp**, Baltimore, MD (US)

(73) **Assignee:** **Black & Decker Inc.**, Newark, DE (US)

(**) **Term:** **14 Years**

(21) **Appl. No.:** **29/392,218**

(22) **Filed:** **May 18, 2011**

(51) **LOC (9) Cl.** **13-02**

(52) **U.S. Cl.** **D13/107**

(58) **Field of Classification Search** D13/107–110,
D13/118–119, 184, 199; D14/251, 253,
D14/432, 434; 320/107–115

See application file for complete search history.

(56) **References Cited**

U.S. PATENT DOCUMENTS

D298,119	S	*	10/1988	Richards et al.	D13/108
D442,140	S	*	5/2001	Kasuya et al.	D13/107
D487,570	S	*	3/2004	Ito et al.	D13/107
D505,913	S	*	6/2005	Kam Lun et al.	D13/107
D506,972	S	*	7/2005	Parel et al.	D13/107
D507,234	S	*	7/2005	Heun	D13/107
D507,525	S	*	7/2005	Heun	D13/107
7,064,519	B2	*	6/2006	Ito	320/112
D548,687	S	*	8/2007	Okuda et al.	D13/107
D550,615	S	*	9/2007	Tong	D13/107
D605,111	S	*	12/2009	Schoch	D13/107
D610,085	S	*	2/2010	Sweeney	D13/107
D635,917	S	*	4/2011	Okuda	D13/107

D636,723	S	*	4/2011	Yamamoto et al.	D13/107
2003/0178968	A1	*	9/2003	Sakakibara et al.	320/110
2010/0085008	A1	*	4/2010	Suzuki et al.	320/112

* cited by examiner

Primary Examiner — Rosemary K Tarcza

(74) *Attorney, Agent, or Firm* — Stephen R. Valancius

(57) **CLAIM**

The ornamental design for a power tool battery pack charger, as shown and described.

DESCRIPTION

FIG. 1 is a perspective view of a power tool battery pack charger according to the present invention;

FIG. 2 is a front view of the power tool battery pack charger of FIG. 1;

FIG. 3 is a back view of the power tool battery pack charger of FIG. 1;

FIG. 4 is a right side view of the power tool battery pack charger of FIG. 1;

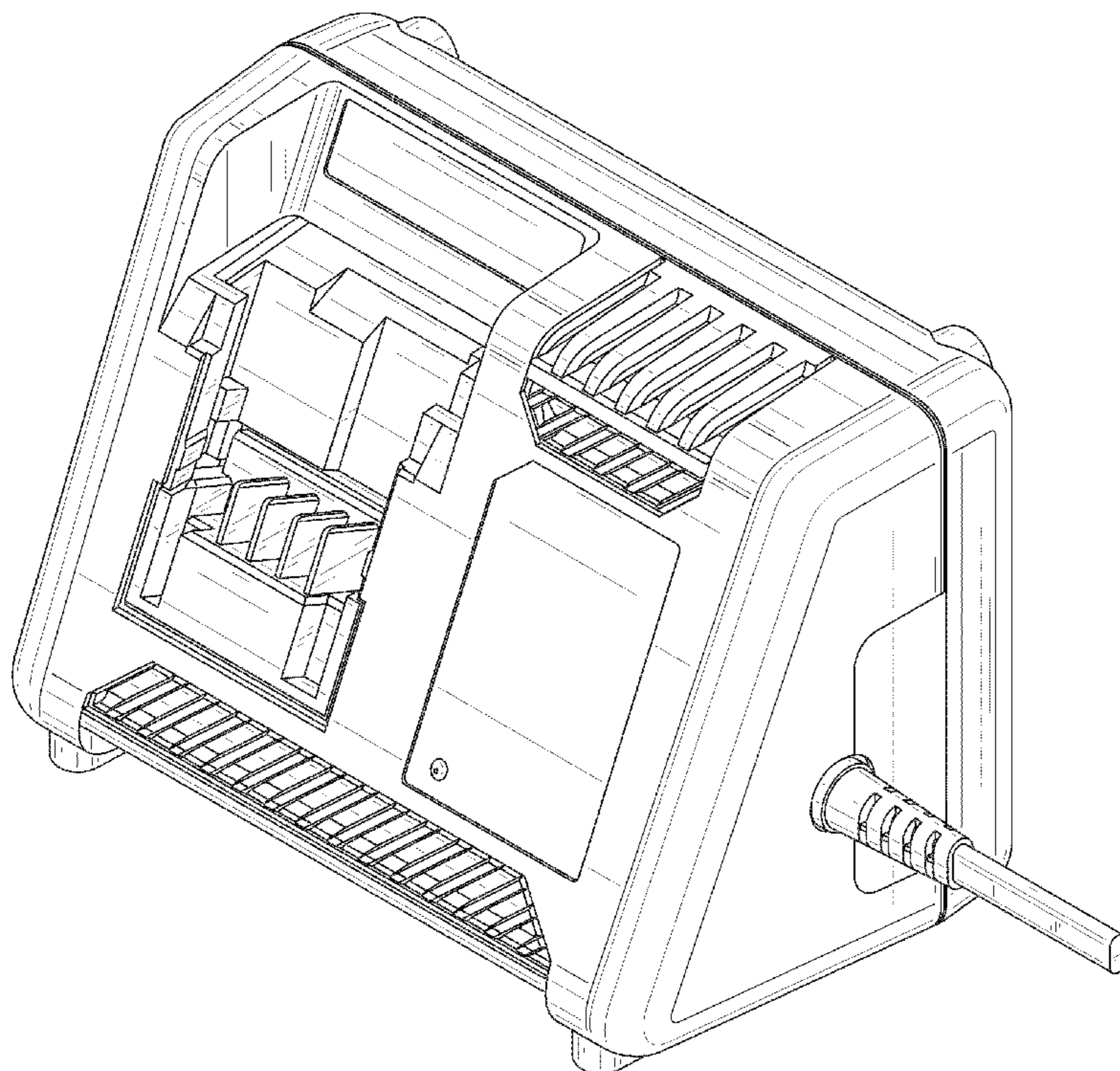
FIG. 5 is a left side view of the power tool battery pack charger of FIG. 1;

FIG. 6 is a top view of the power tool battery pack charger of FIG. 1; and,

FIG. 7 is a bottom view of the power tool battery pack charger of FIG. 1.

The broken lines in the figures illustrate features that form no part of the claimed design.

1 Claim, 6 Drawing Sheets



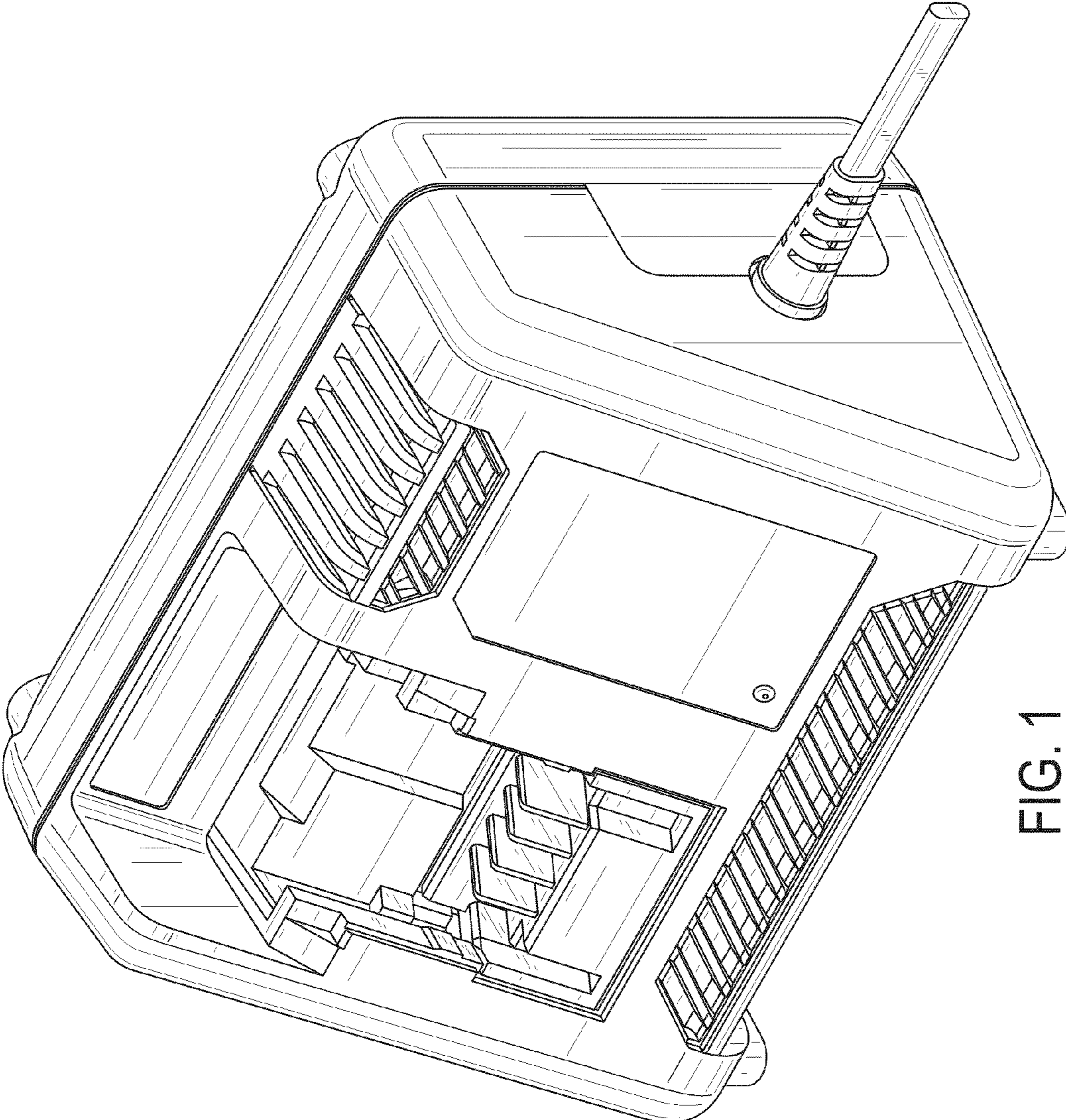


FIG. 1

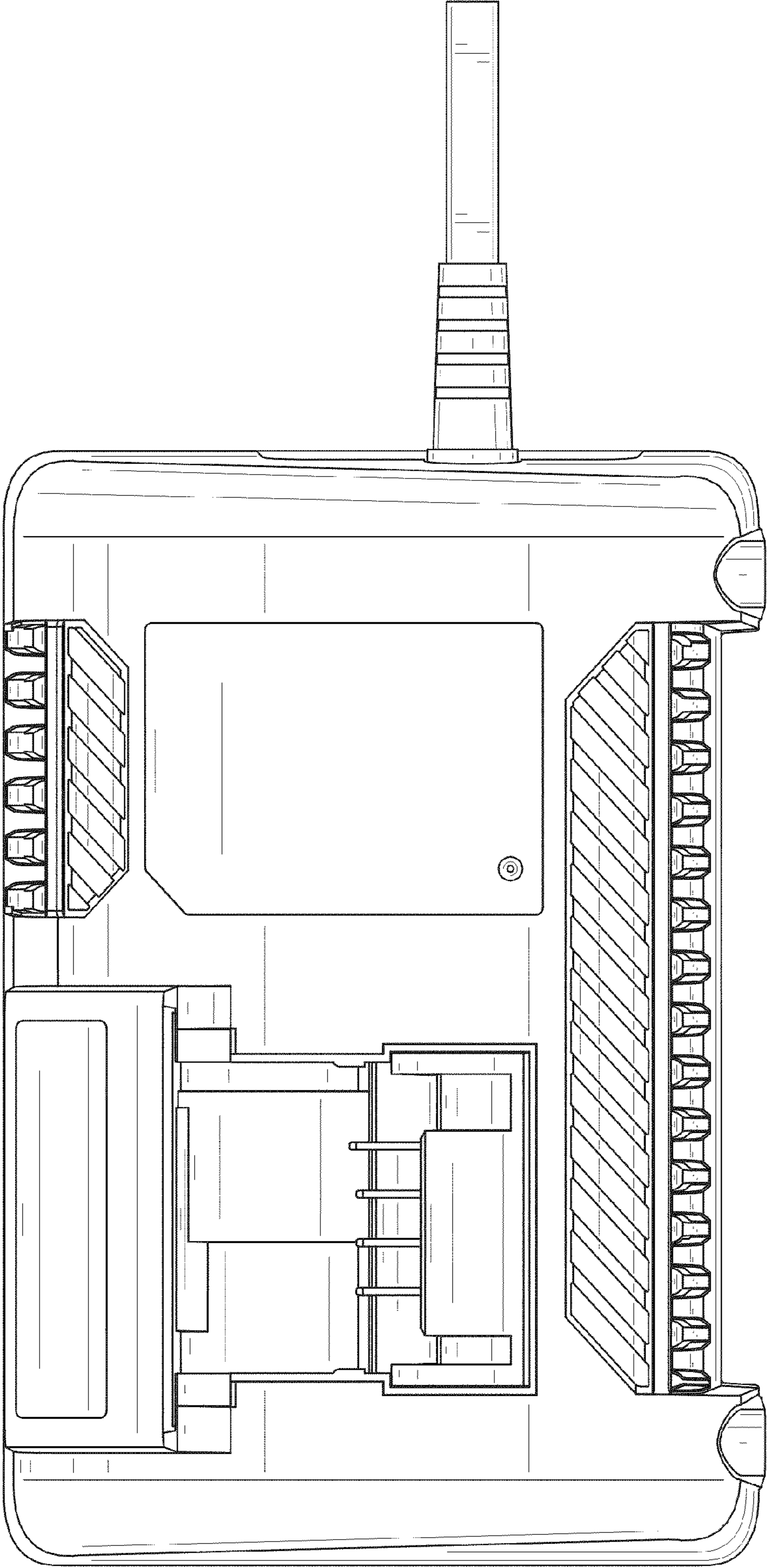


FIG. 2

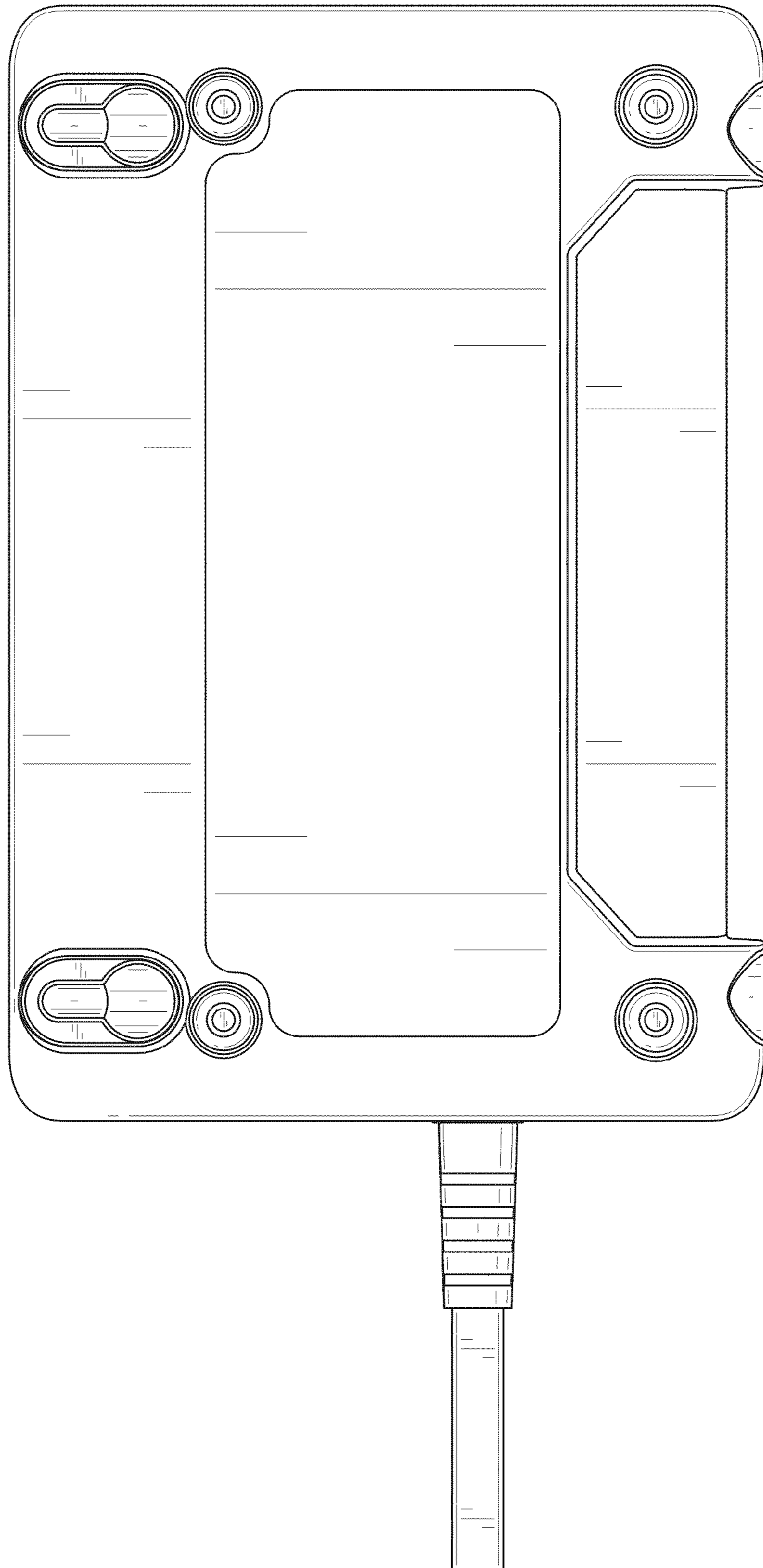


FIG. 3

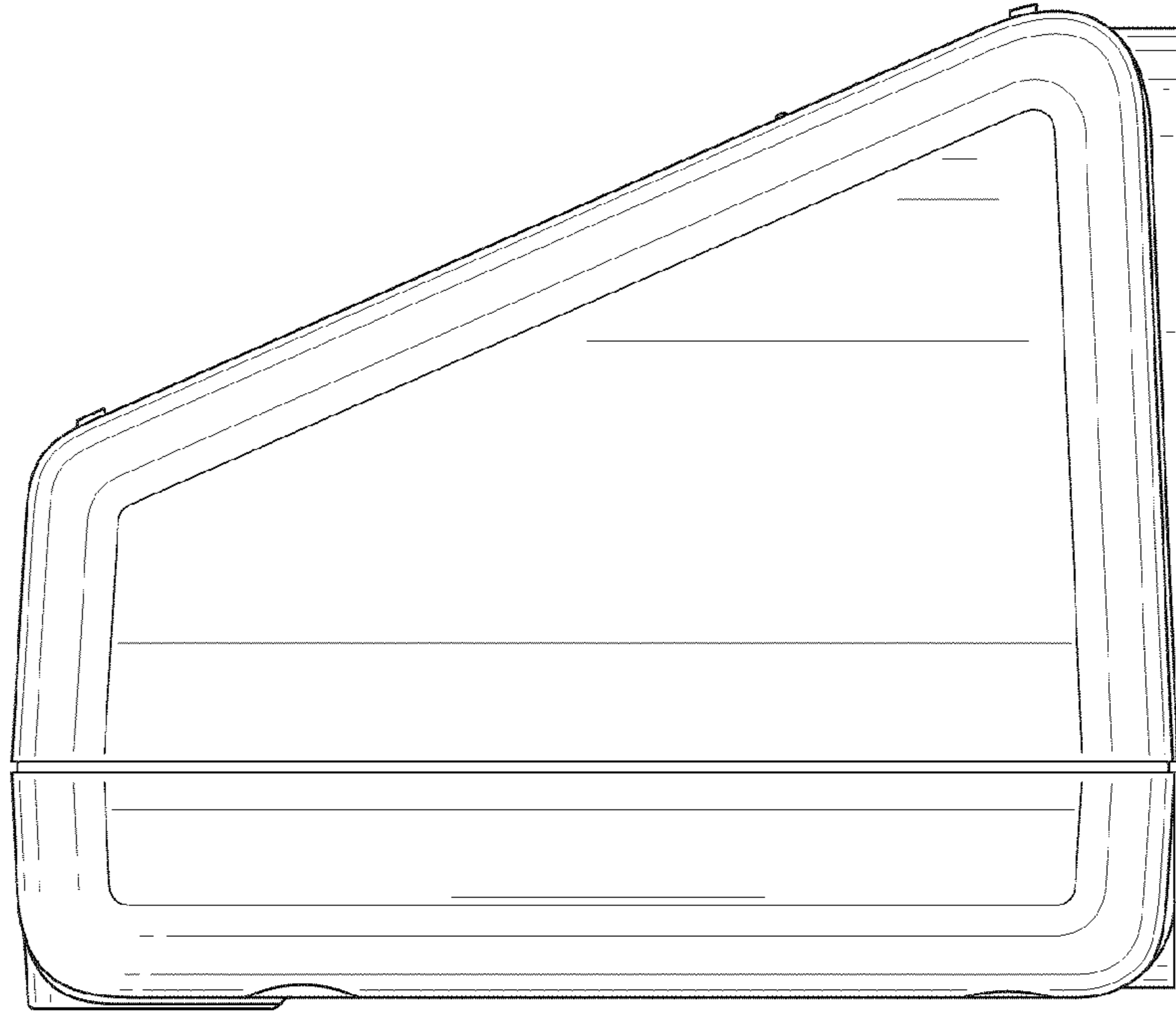


FIG. 5

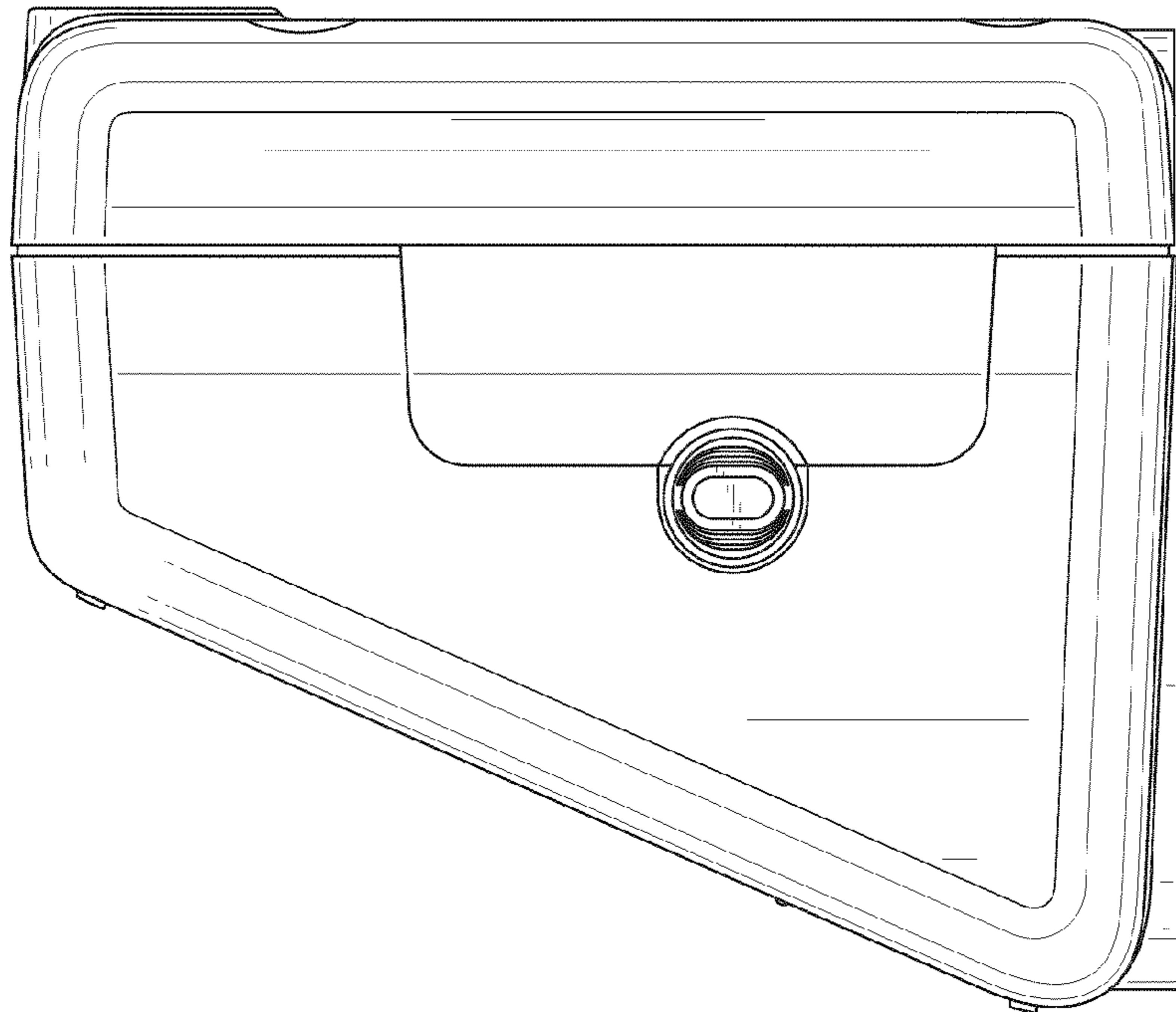


FIG. 4

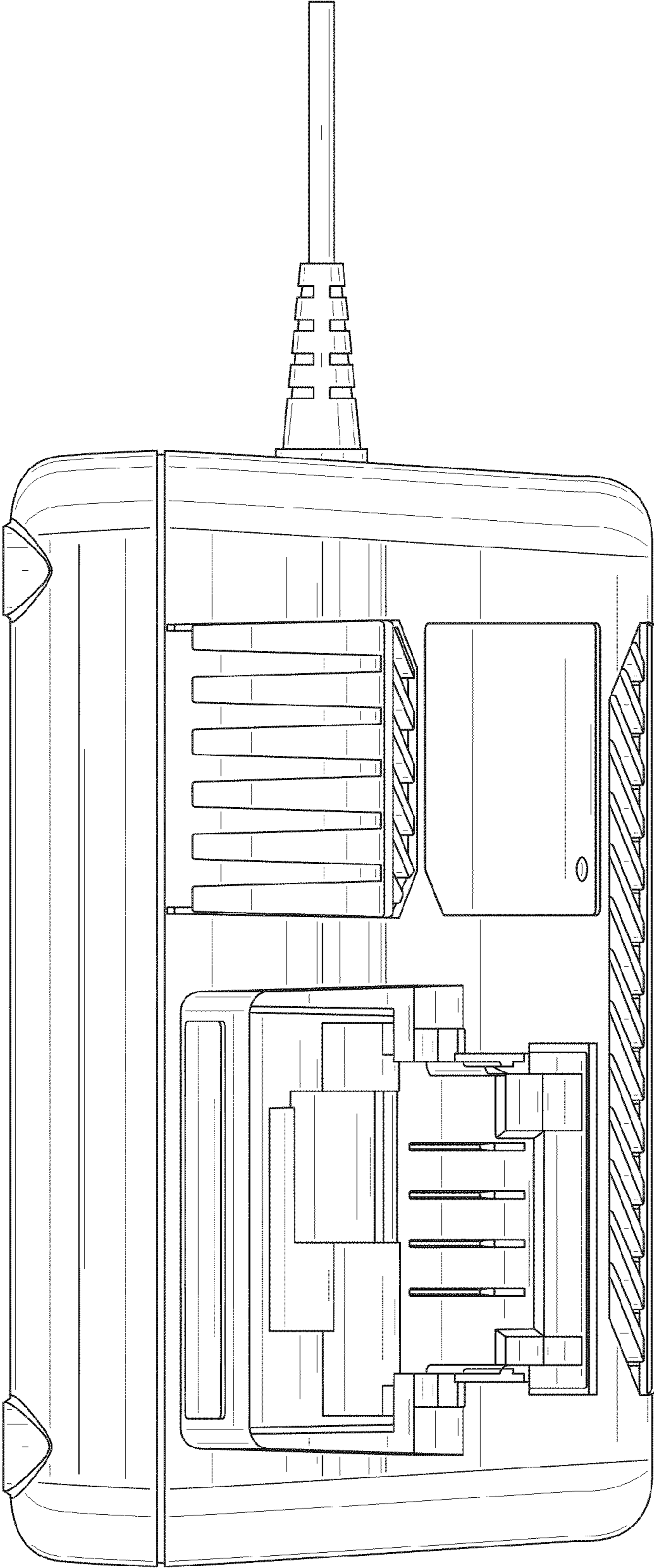


FIG. 6

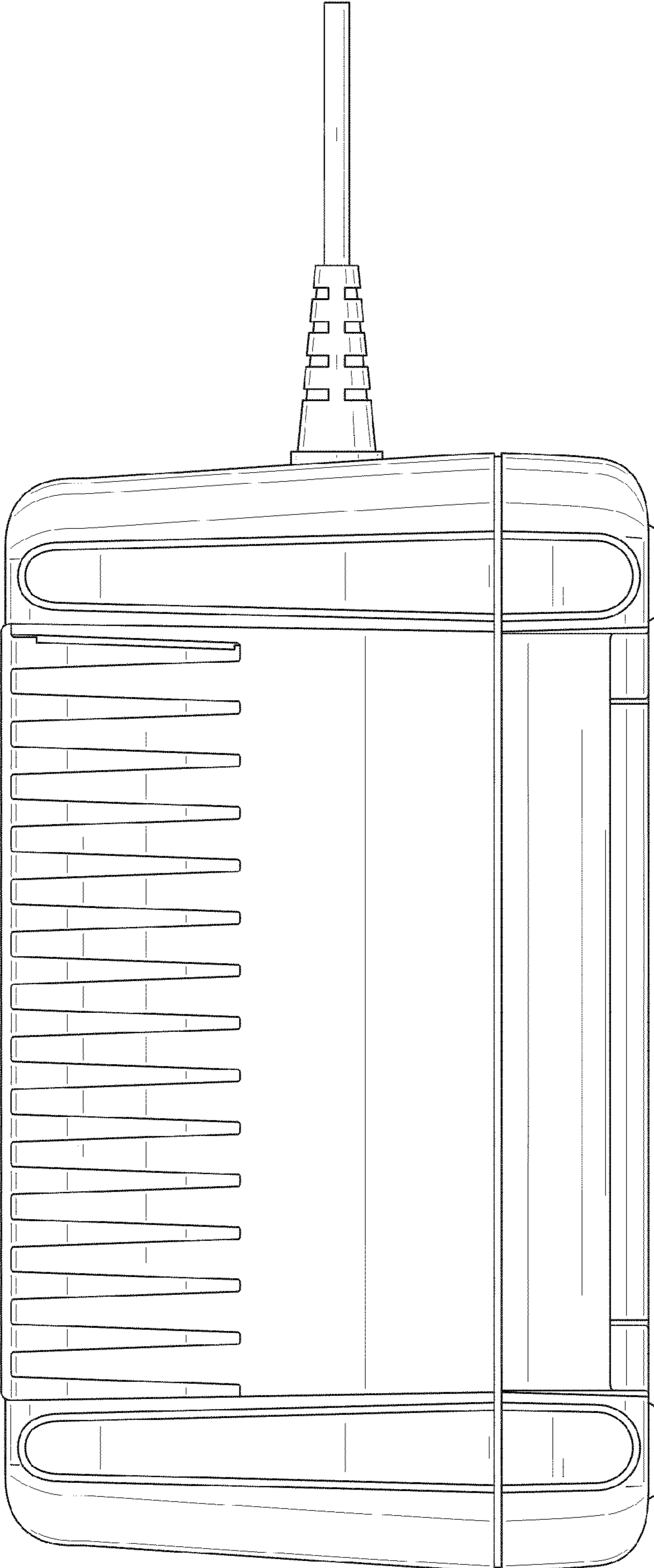


FIG. 7