

US00D652791S

(12) **United States Design Patent**
Petrie et al.

(10) **Patent No.:** **US D652,791 S**
(45) **Date of Patent:** **** Jan. 24, 2012**

(54) **ELECTRIC VEHICLE CHARGER**
(75) Inventors: **Greg A Petrie**, San Dimas, CA (US);
Holden Alexander Bonwit, Los Angeles, CA (US); **Jeff Salazar**, Palo Alto, CA (US); **Evelyne Chaubert**, San Francisco, CA (US); **Lea Sandra Kobeli**, San Francisco, CA (US)

(73) Assignee: **AeroVironment, Inc.**, Monrovia, CA (US)

(**) Term: **14 Years**

(21) Appl. No.: **29/360,201**

(22) Filed: **Apr. 21, 2010**

(51) **LOC (9) Cl.** **13-02**

(52) **U.S. Cl.** **D13/107**

(58) **Field of Classification Search** D13/106–110,
D13/118–119, 184, 199; D15/9; 320/103–115
See application file for complete search history.

(56) **References Cited**

U.S. PATENT DOCUMENTS

| | | | | |
|--------------|---------|-----------------|-------|---------|
| D300,678 S * | 4/1989 | Barrault | | D32/73 |
| D511,492 S * | 11/2005 | Allende Fritsch | | D13/108 |
| D524,243 S * | 7/2006 | Lee | | D13/108 |
| D537,409 S * | 2/2007 | Suzuki | | D13/108 |
| D548,688 S * | 8/2007 | Fee et al. | | D13/107 |
| D608,734 S * | 1/2010 | Smith | | D13/107 |
| D620,884 S * | 8/2010 | Lee et al. | | D13/108 |

| | | | | |
|-------------------|---------|----------------|-------|---------|
| D626,063 S * | 10/2010 | Cutter et al. | | D13/107 |
| D634,267 S * | 3/2011 | Blain | | D13/107 |
| D641,694 S * | 7/2011 | Akahori et al. | | D13/107 |
| 2008/0174268 A1 * | 7/2008 | Koo et al. | | 320/109 |
| 2011/0043355 A1 * | 2/2011 | Chander et al. | | 340/455 |
| 2011/0169447 A1 * | 7/2011 | Brown et al. | | 320/109 |

* cited by examiner

Primary Examiner — Rosemary K Tarcza

(74) *Attorney, Agent, or Firm* — Christopher R. Balzan; Eric J. Aagaard

(57) **CLAIM**

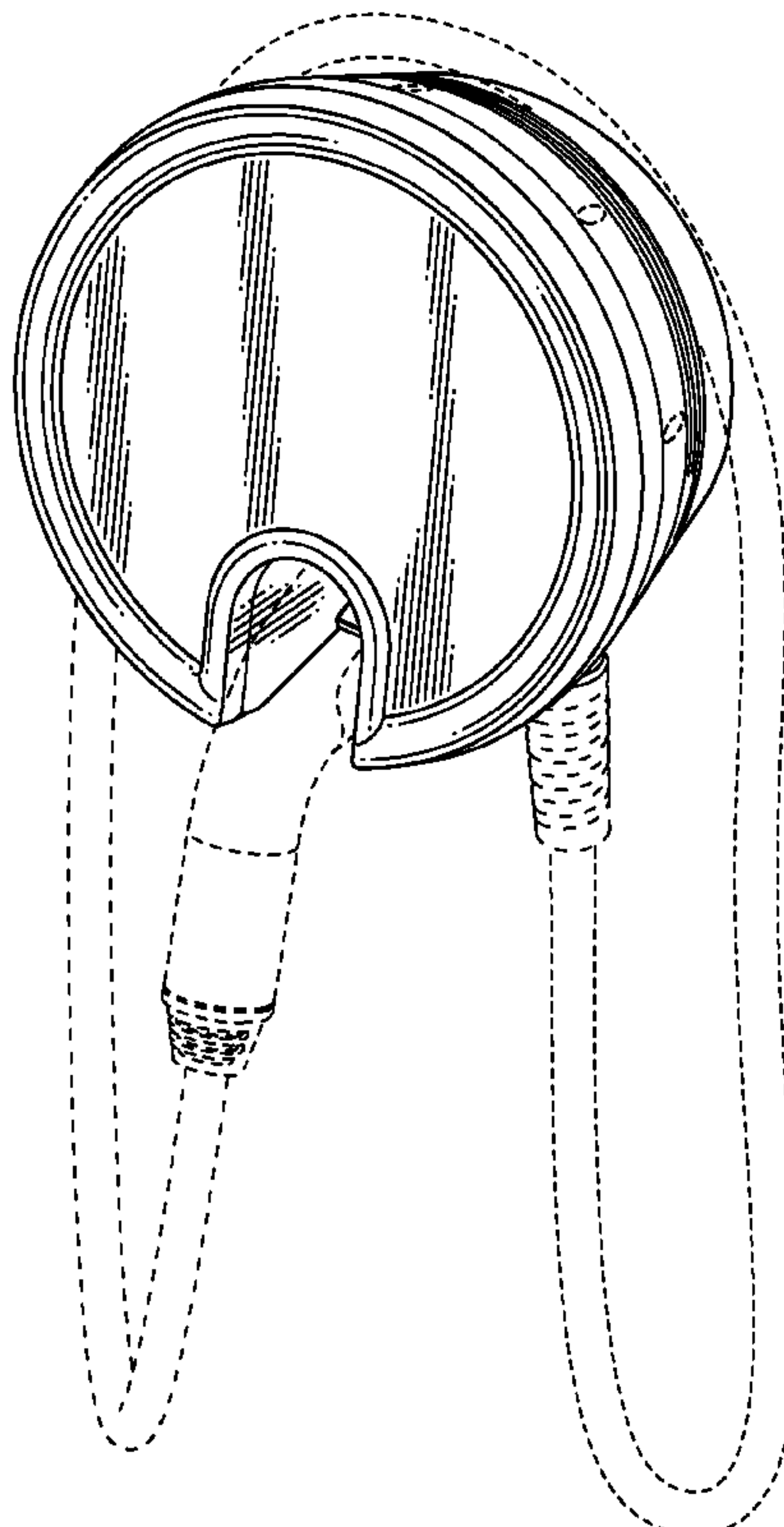
The ornamental design for an electric vehicle charger, as shown and described.

DESCRIPTION

FIG. 1 is a front-right-top perspective front view of the electric vehicle charger;
FIG. 2 is a front view of the electric vehicle charger of FIG. 1;
FIG. 3 is a right side view of the electric vehicle charger of FIG. 1;
FIG. 4 is a left side view of the electric vehicle charger of FIG. 1;
FIG. 5 is a rear view of the electric vehicle charger of FIG. 1;
FIG. 6 is a top view of the electric vehicle charger of FIG. 1;
and,
FIG. 7 is a bottom view of the electric vehicle charger of FIG. 1.

The broken lines and the unshaded region therein are for illustrative purposes only and form no part of the claimed design.

1 Claim, 6 Drawing Sheets



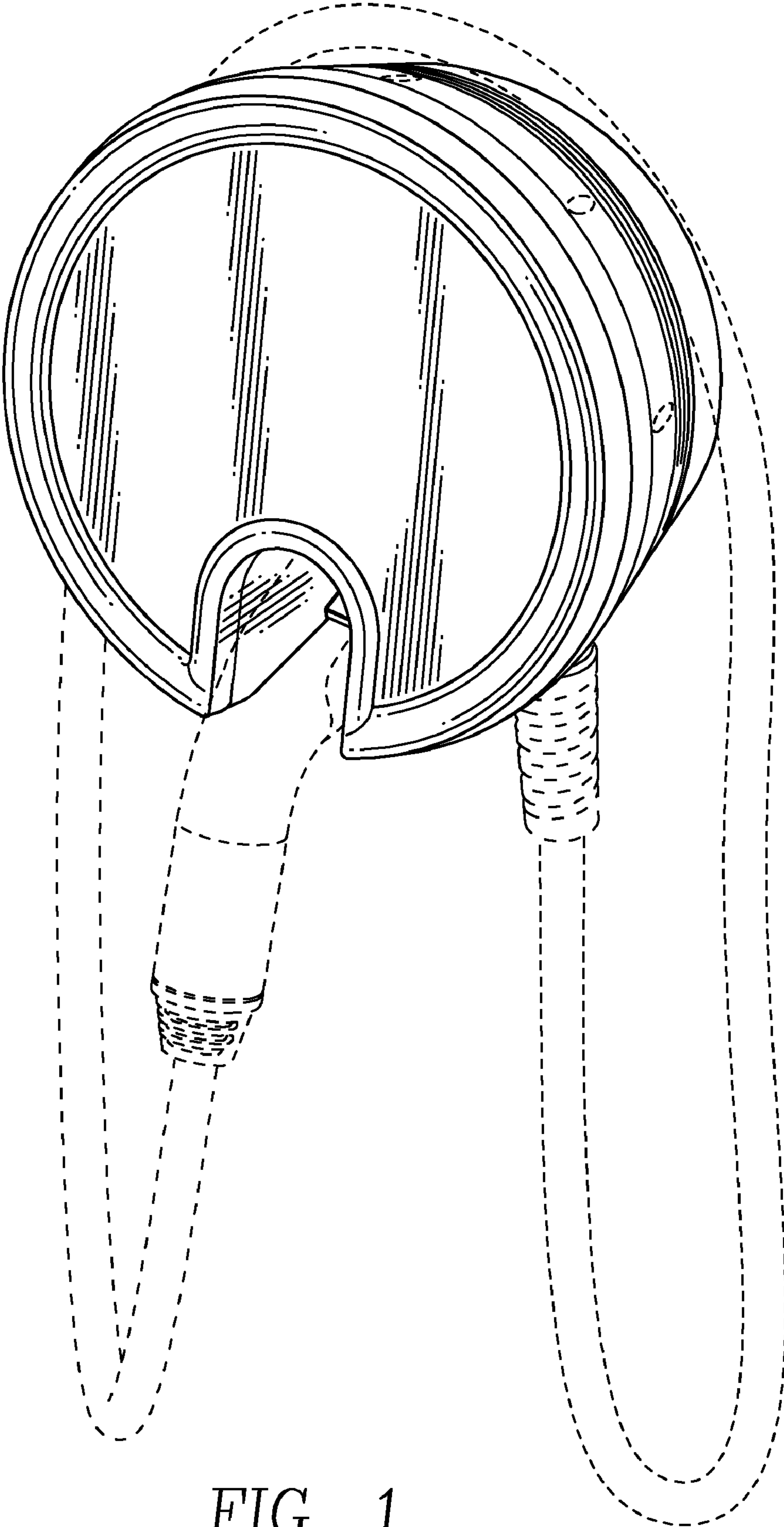


FIG. 1

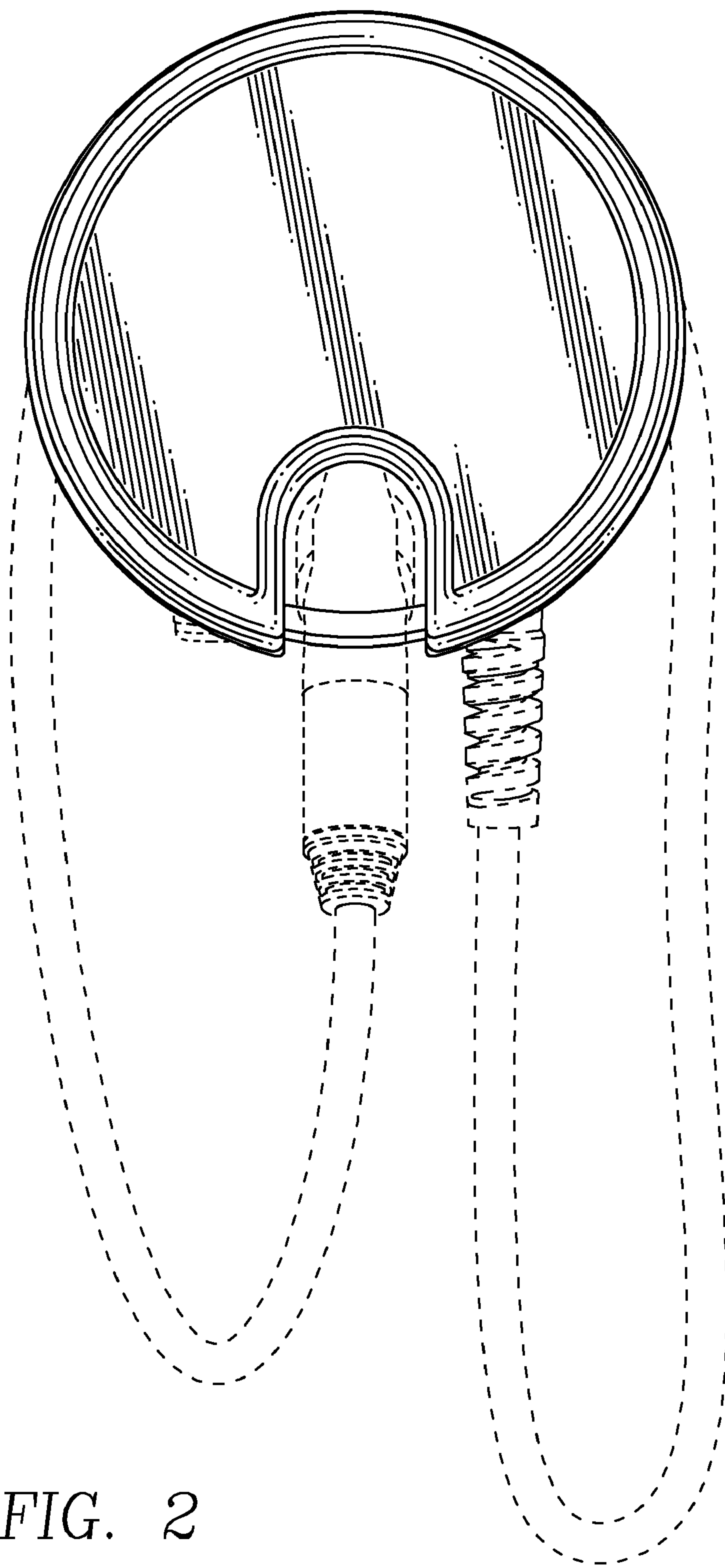


FIG. 2

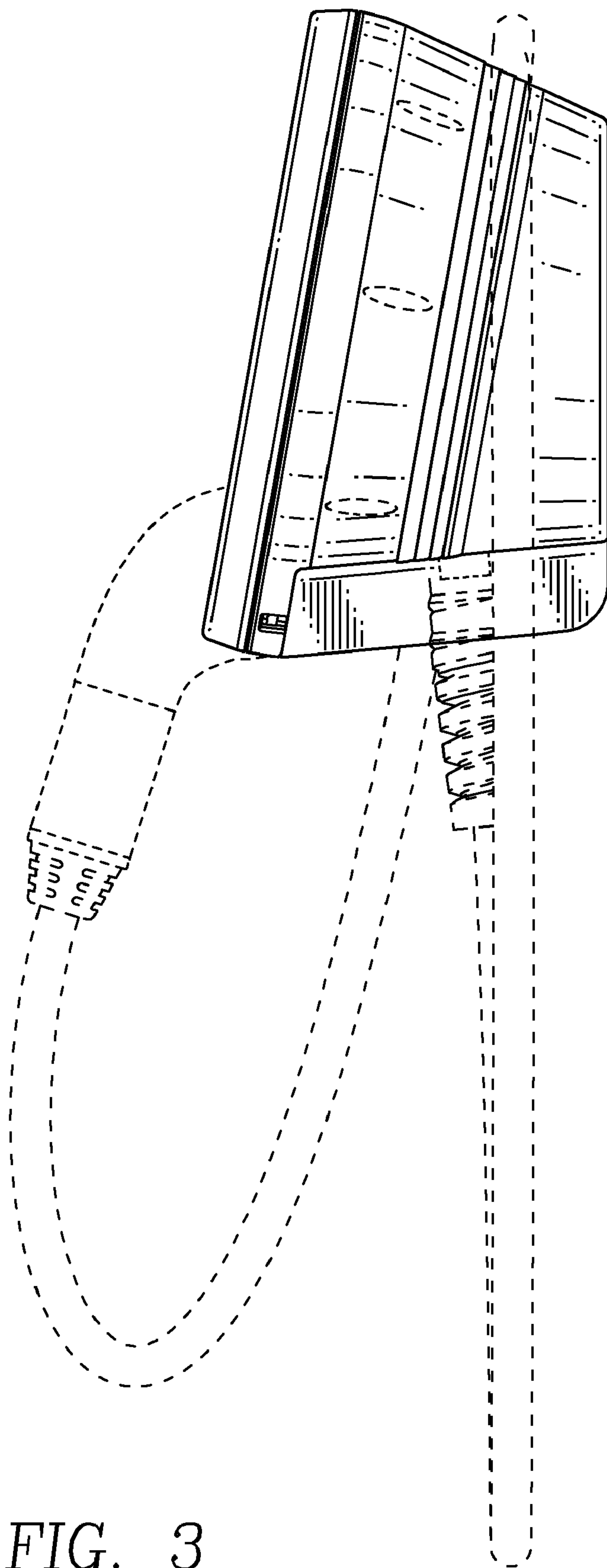
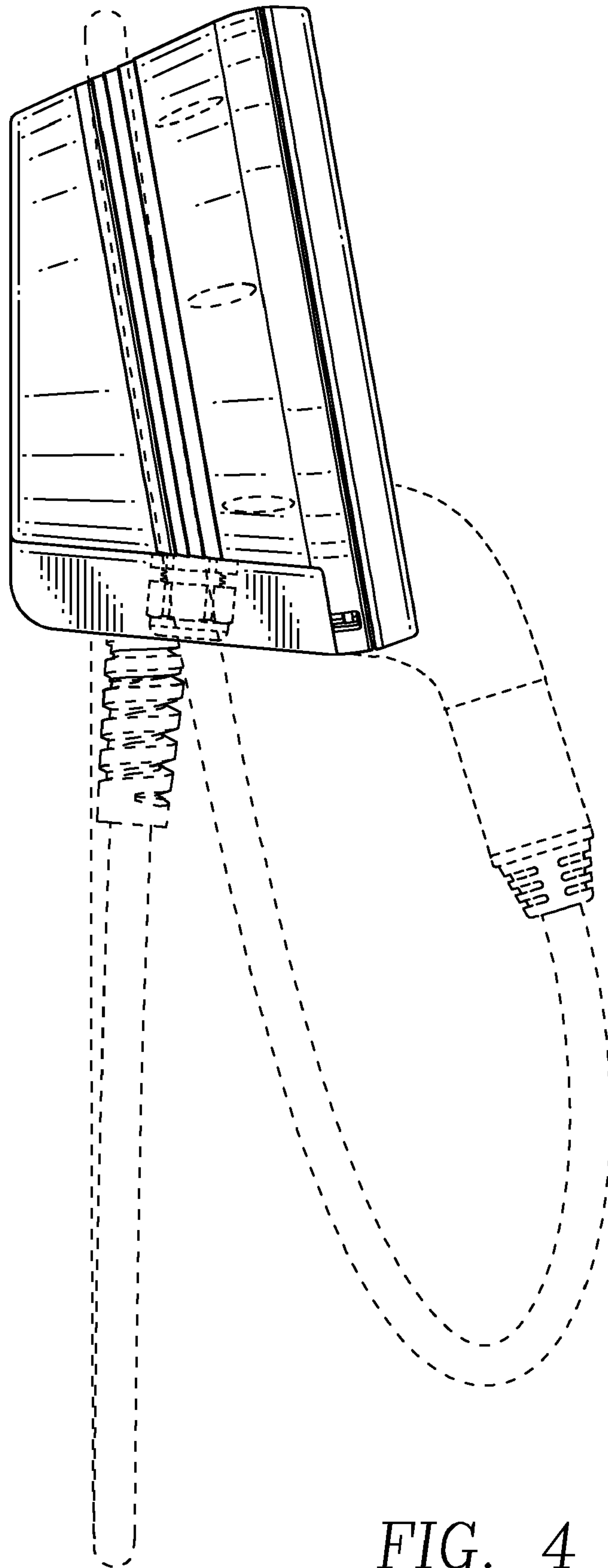


FIG. 3



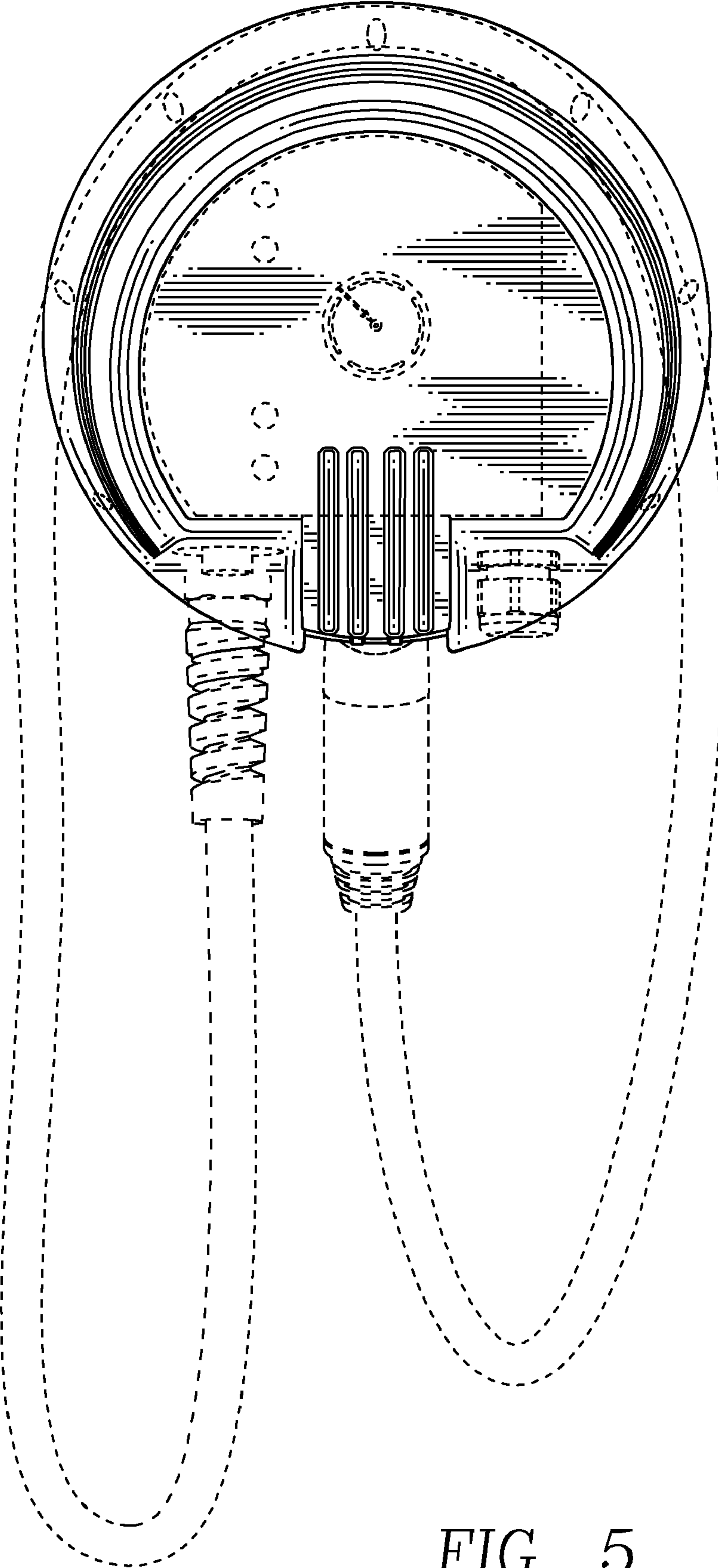


FIG. 5

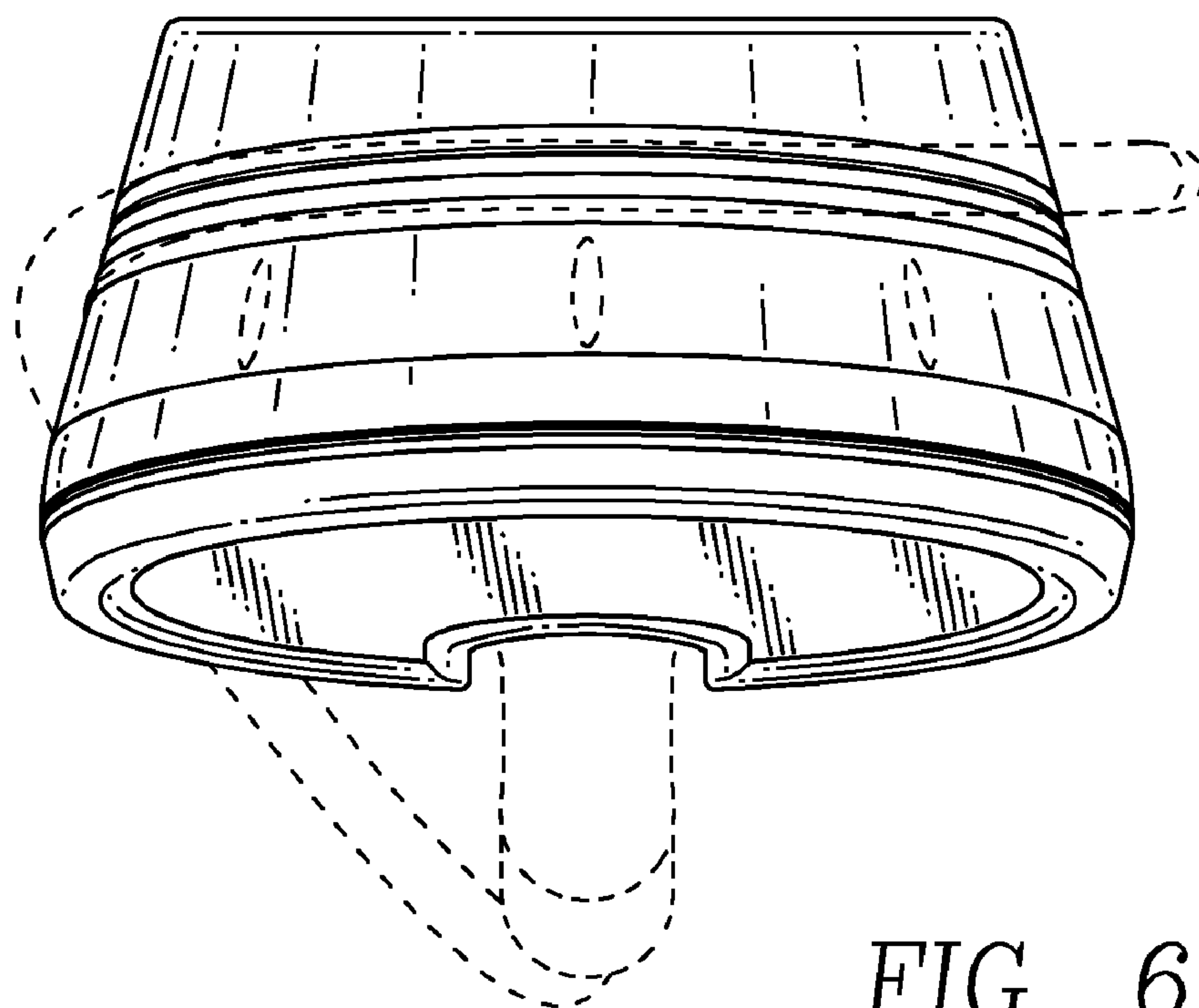


FIG. 6

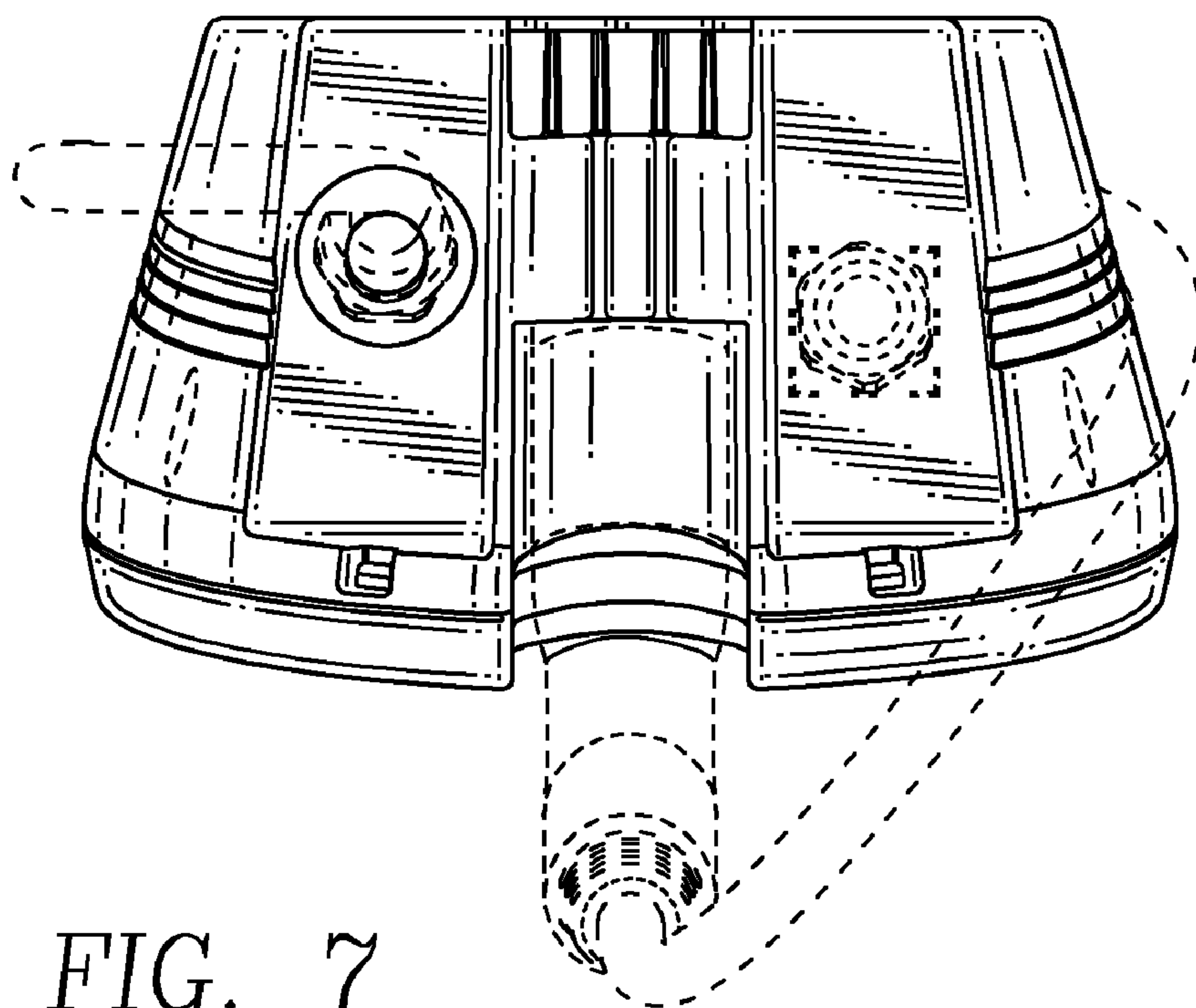


FIG. 7