



US00D652790S

(12) **United States Design Patent**
Kern

(10) **Patent No.:** **US D652,790 S**

(45) **Date of Patent:** **** Jan. 24, 2012**

(54) **MOTOR DRIVEN CHAIN DRIVE WITH SOLAR PANEL**

Primary Examiner — Derrick Holland

(74) *Attorney, Agent, or Firm* — Sand & Sebolt

(75) Inventor: **Thomas Kern**, Tangstedt (DE)

(57) **CLAIM**

(73) Assignee: **D+H Mechatronic AG**, Ammersbek (DE)

The ornamental design for a motor-driven chain drive with solar panel, as shown and described.

(**) Term: **14 Years**

(21) Appl. No.: **29/398,796**

DESCRIPTION

(22) Filed: **Aug. 4, 2011**

(51) **LOC (9) Cl.** **13-02**

(52) **U.S. Cl.** **D13/102**

(58) **Field of Classification Search** D13/102,
D13/101, 103, 107, 108, 110, 199; D8/330;
D15/148, 149, 199; 126/569, 577, 578, 608;
136/206, 243, 244, 245, 251, 252; 244/172.7;
385/900

See application file for complete search history.

FIG. 1 is a perspective view of a motor-driven chain drive with solar panel in accordance with the present design, with the solar panel shown in a closed position;
FIG. 2 is a top view thereof;
FIG. 3 is a bottom view thereof;
FIG. 4 is a front view thereof;
FIG. 5 is a back side view thereof;
FIG. 6 is a left side view thereof;
FIG. 7 is a right side view thereof;
FIG. 8 is a perspective view of the motor-driven chain drive with solar panel in accordance with the present design, with the solar panel shown in an open position;
FIG. 9 is a top view thereof;
FIG. 10 is a bottom view thereof;
FIG. 11 is a front view thereof;
FIG. 12 is a back view thereof;
FIG. 13 is a left side view thereof; and,
FIG. 14 is a right side view thereof.

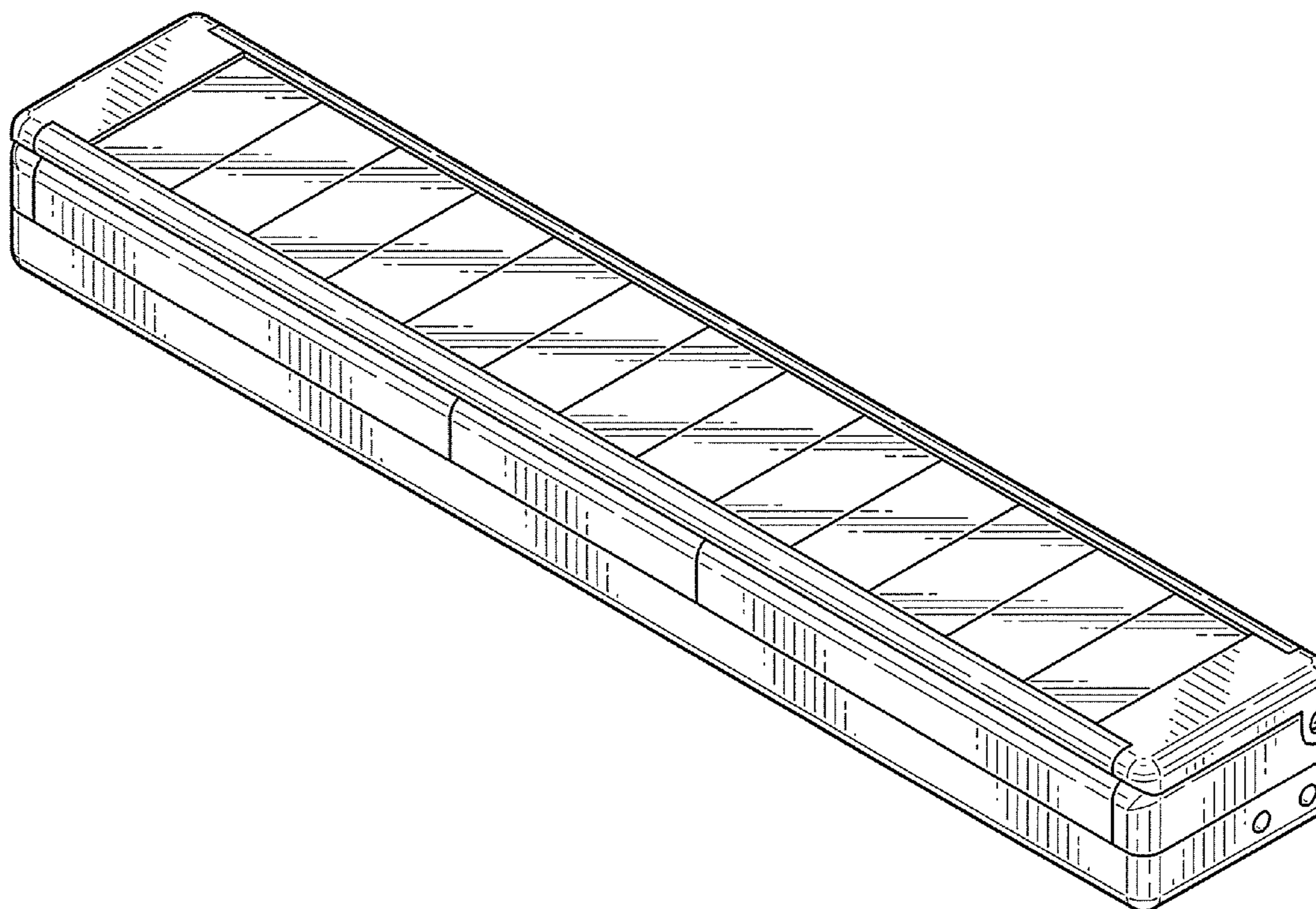
(56) **References Cited**

U.S. PATENT DOCUMENTS

D413,055 S *	8/1999	Mullet et al.	D8/330
D467,225 S *	12/2002	Sudo	D13/102
D489,680 S *	5/2004	Stobart	D13/107
D490,051 S *	5/2004	Kikumoto	D13/102
D551,619 S *	9/2007	Schneider	D13/110
D588,534 S *	3/2009	Sharma et al.	D13/102

* cited by examiner

1 Claim, 7 Drawing Sheets



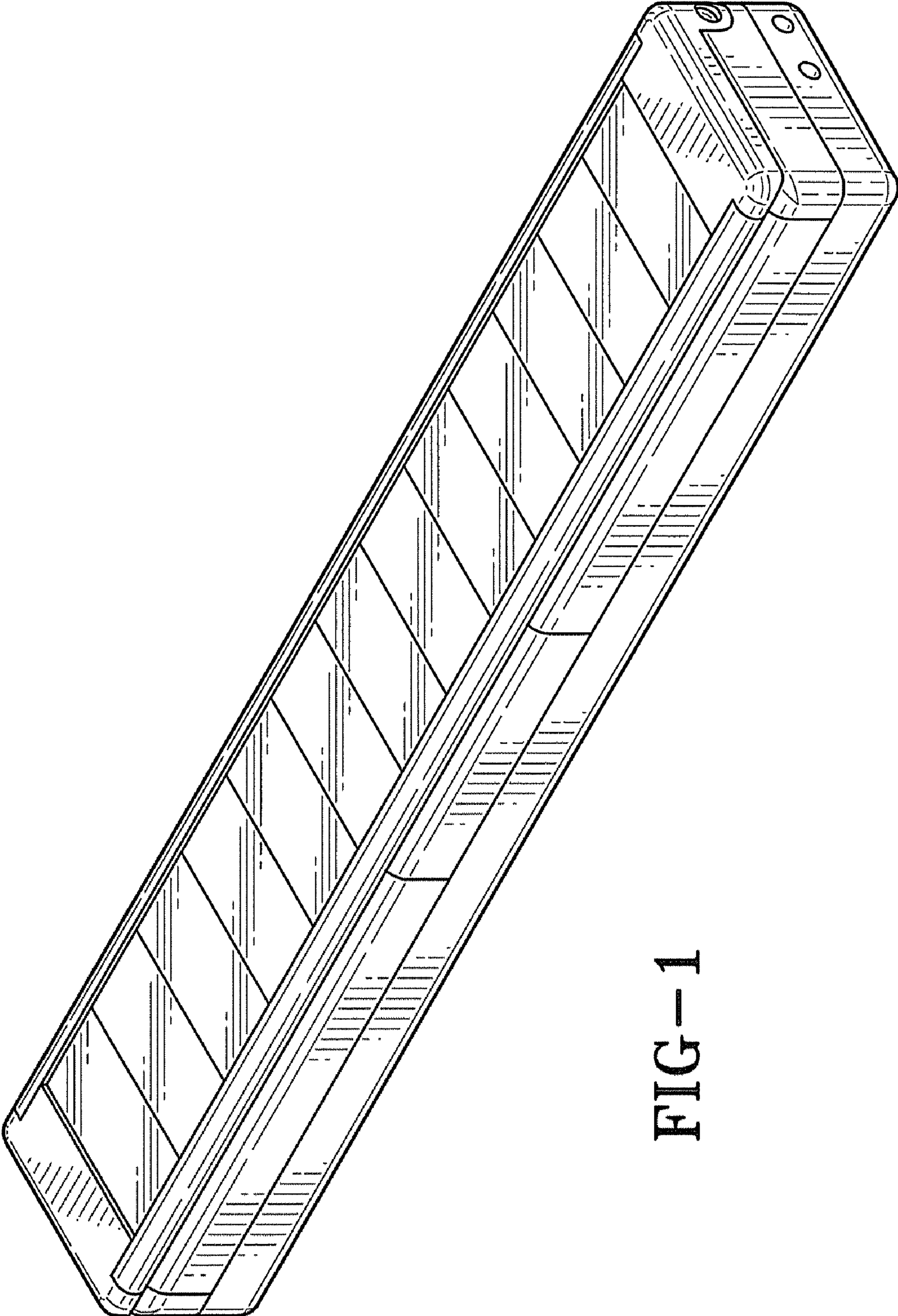


FIG-1

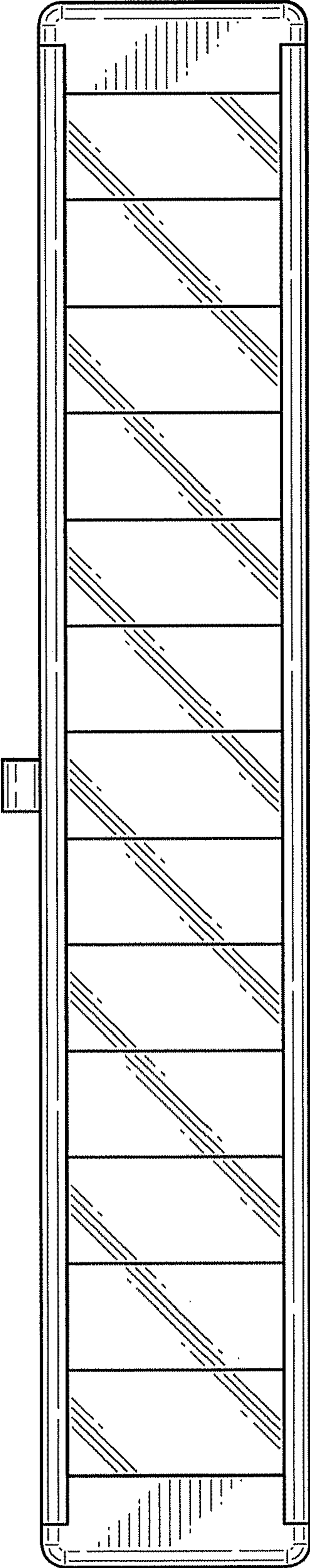


FIG-2

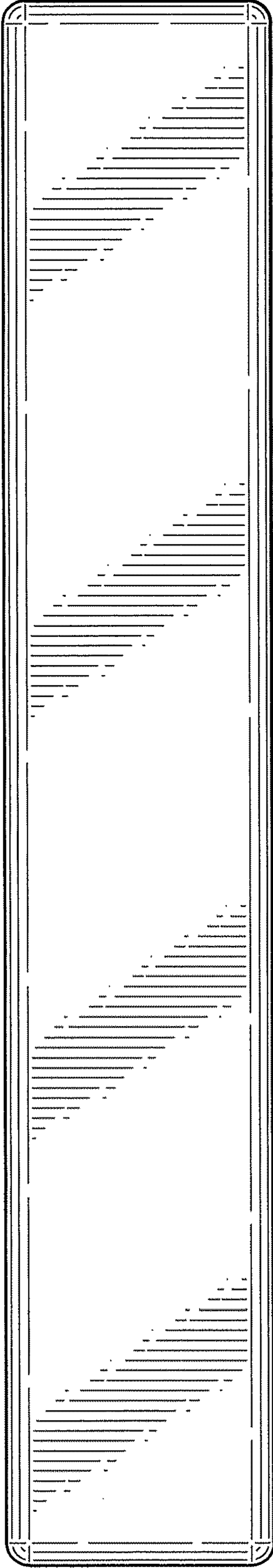


FIG-3

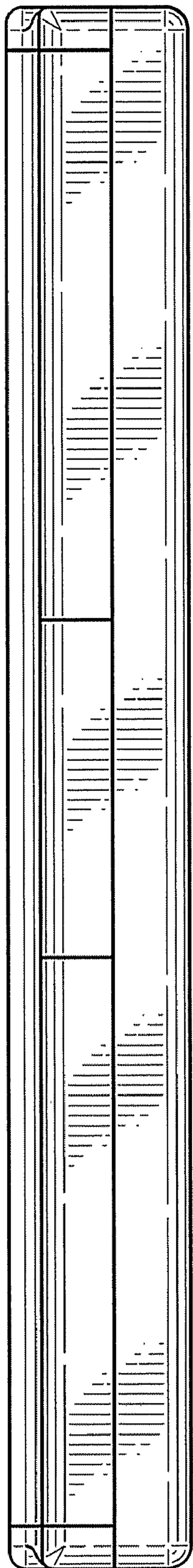


FIG-4

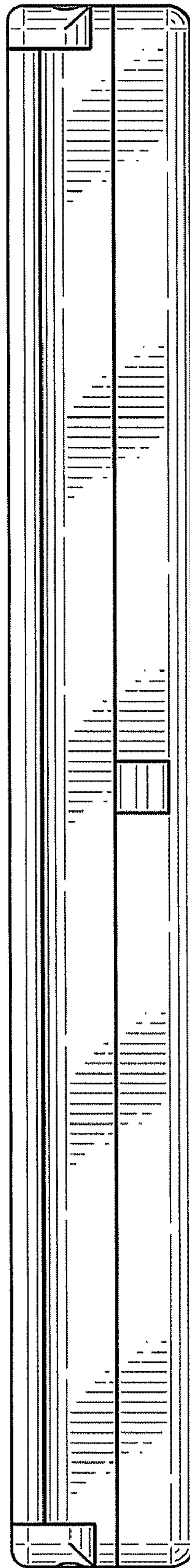


FIG-5

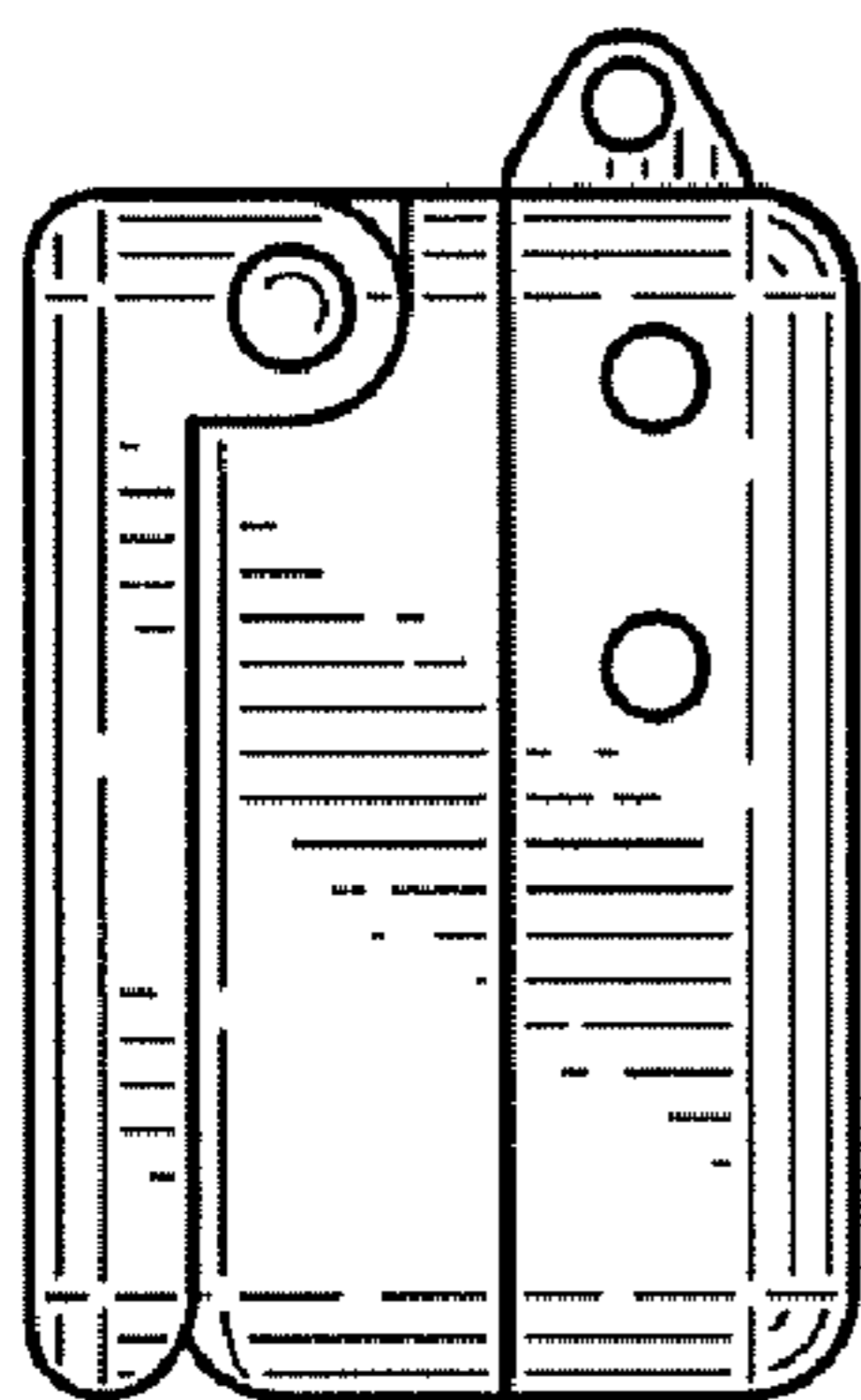


FIG-7

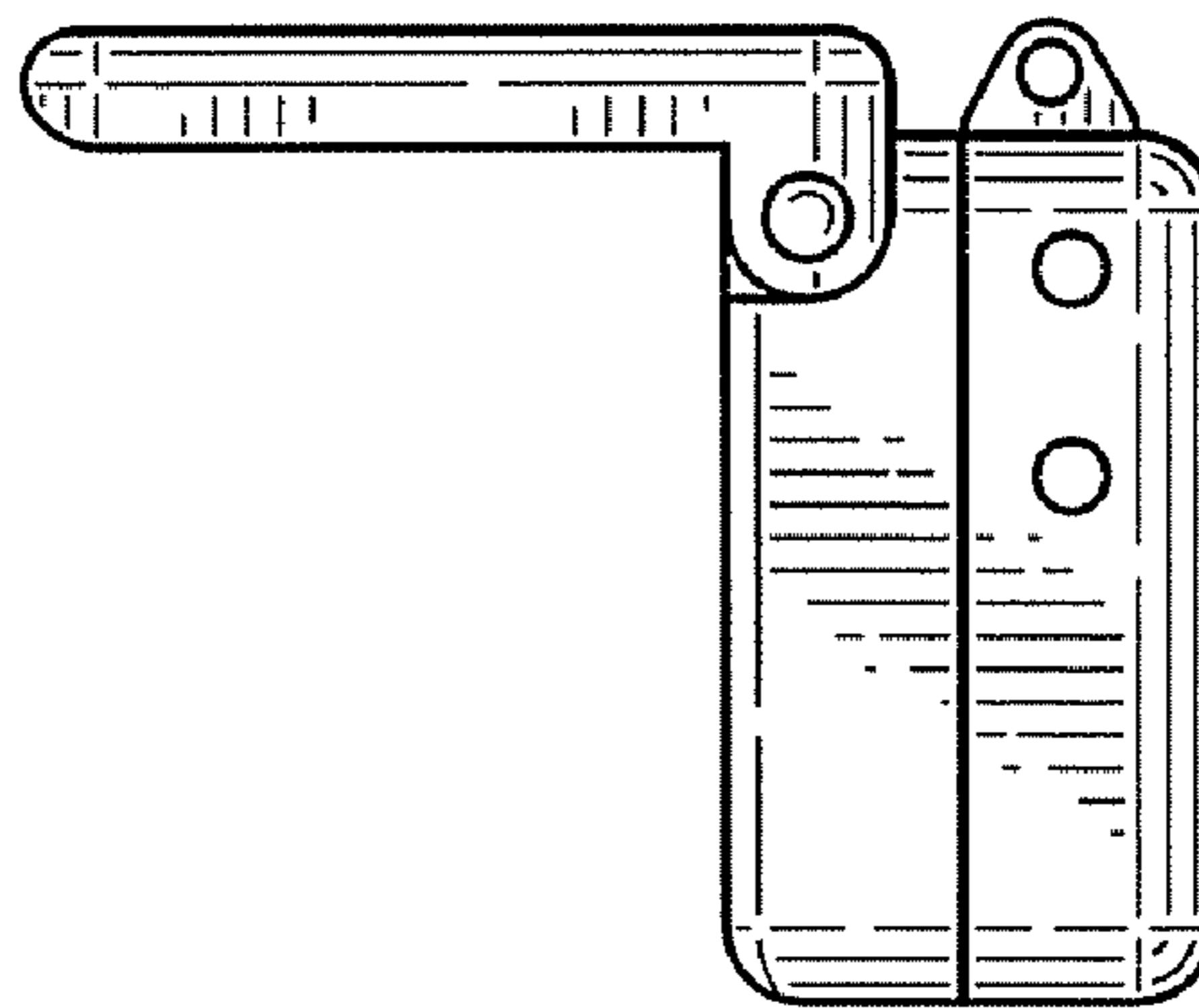


FIG-14

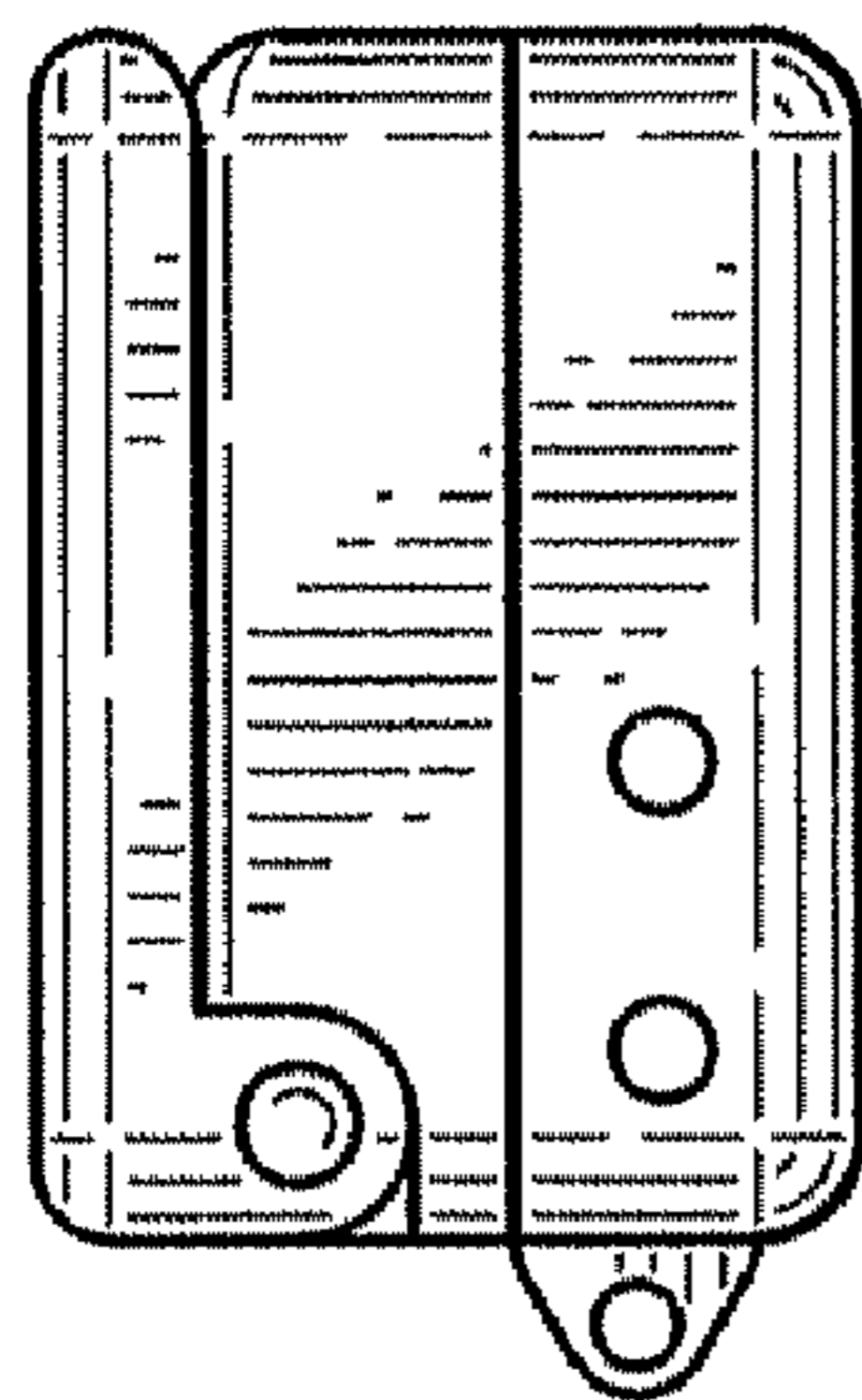


FIG-6

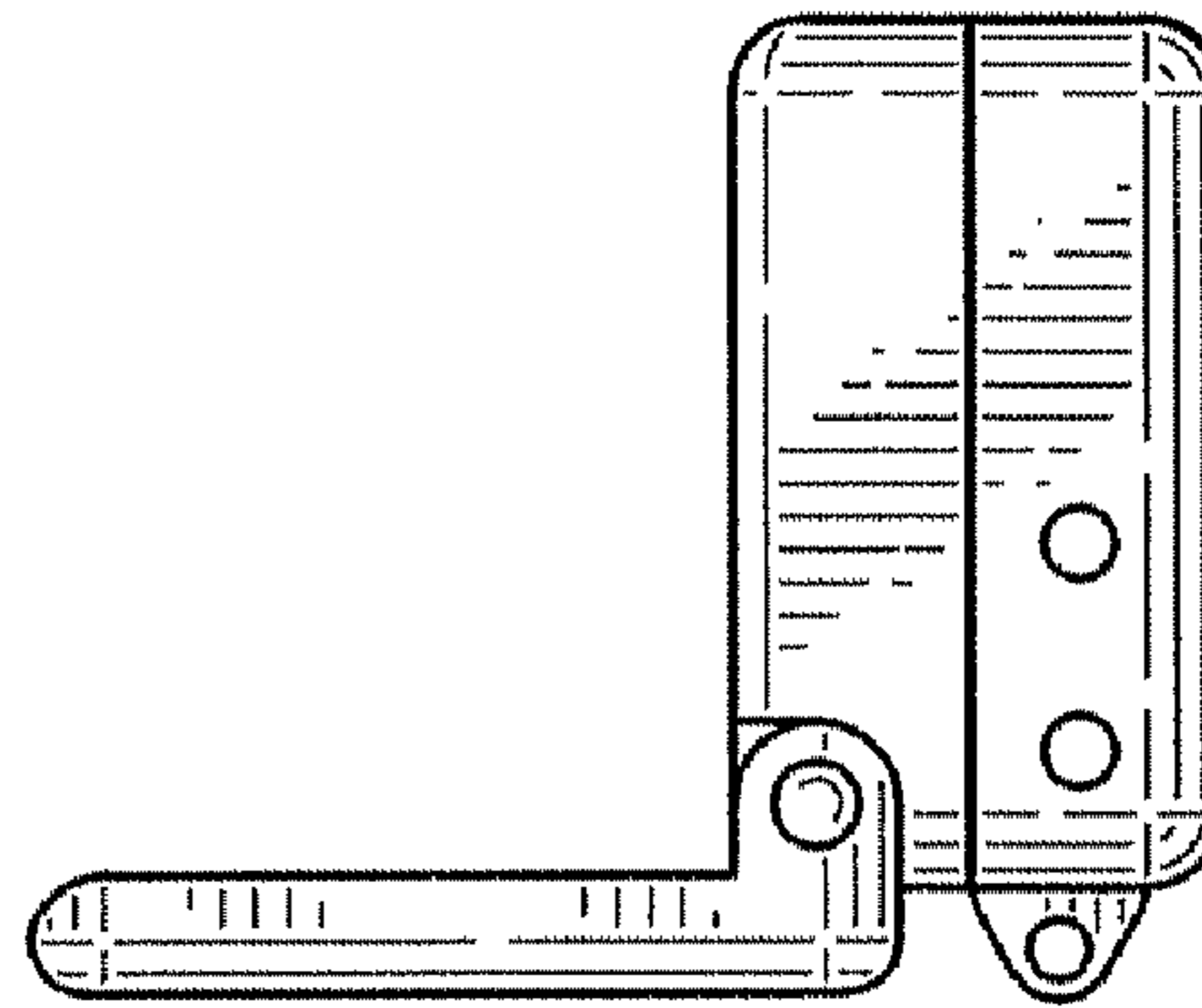


FIG-13

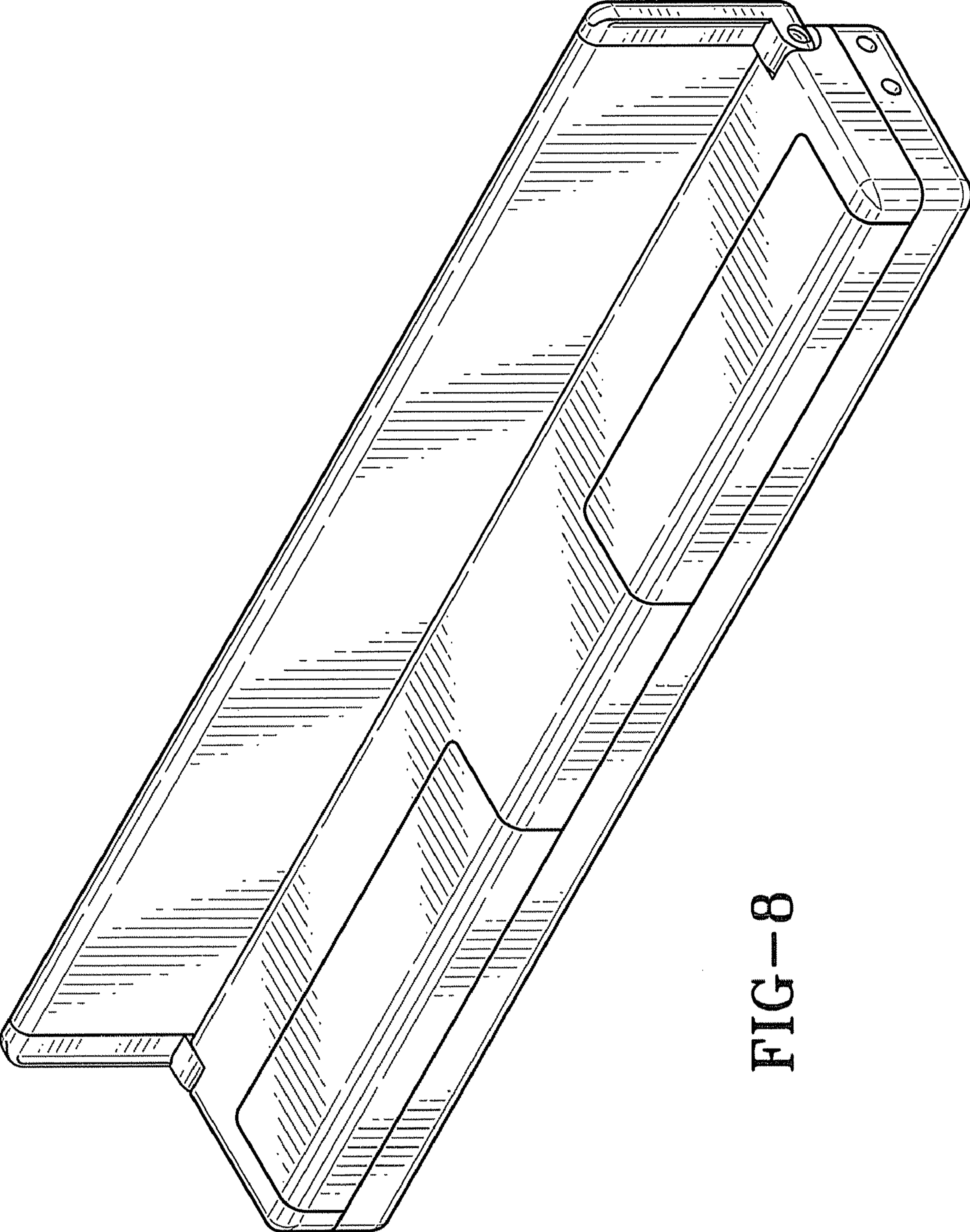


FIG-8

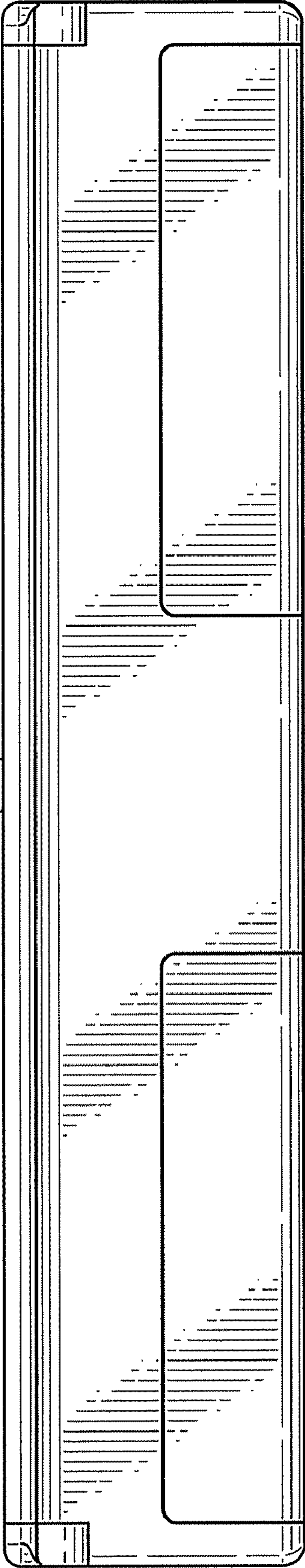


FIG-9

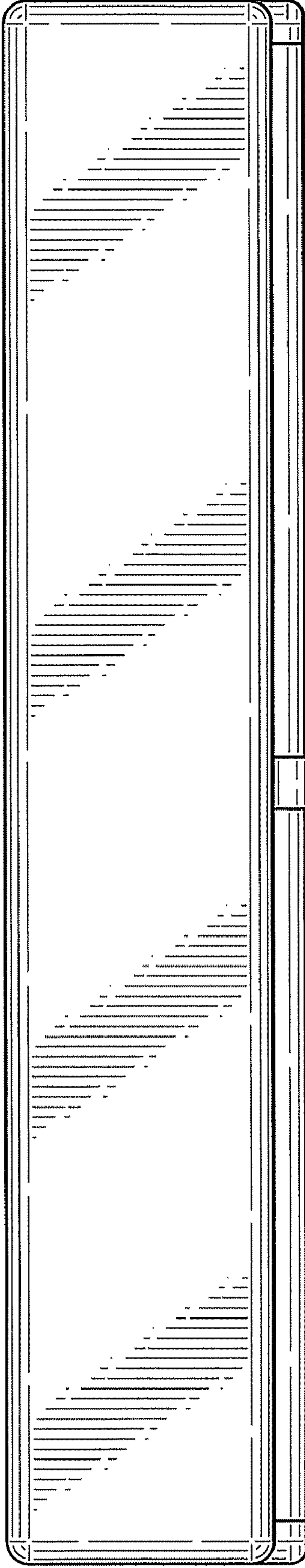


FIG-10

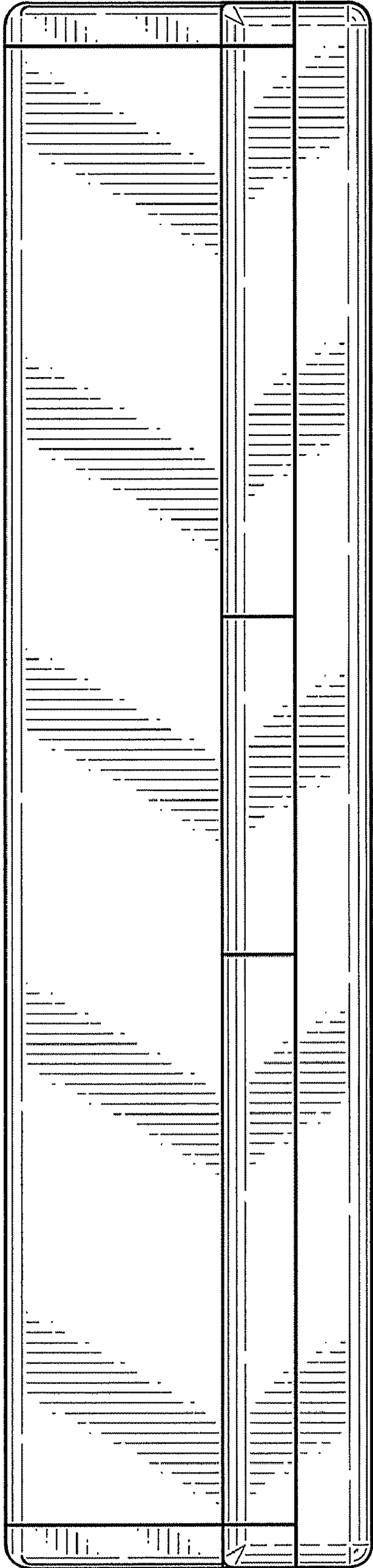


FIG-11

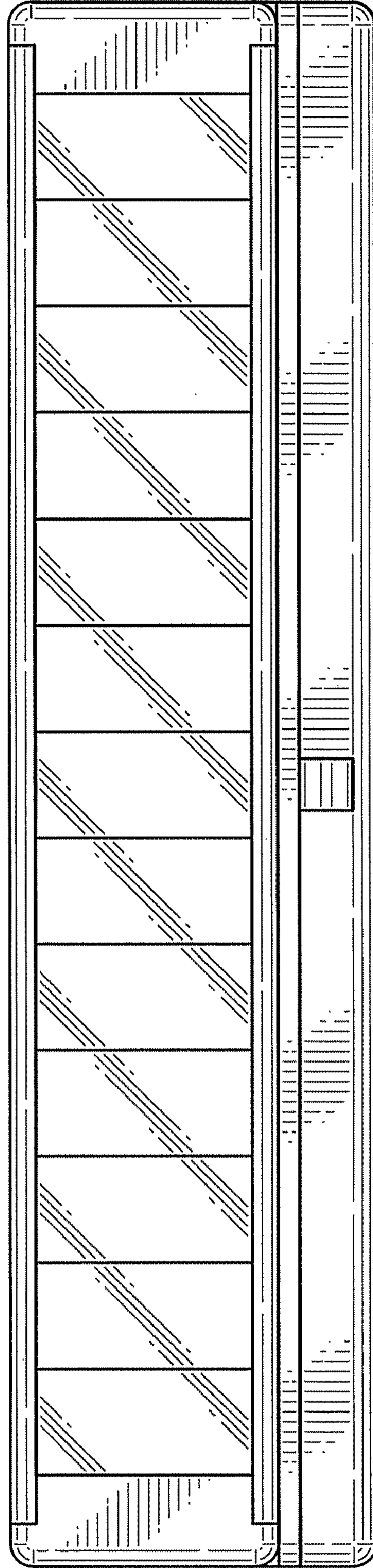


FIG-12