



US00D652789S

(12) **United States Design Patent**
Kawai et al.

(10) **Patent No.:** **US D652,789 S**

(45) **Date of Patent:** **** Jan. 24, 2012**

(54) **SOLAR PANEL MOUNT**

(75) Inventors: **Yoshimichi Kawai**, Tokyo (JP); **Ryoichi Kanno**, Tokyo (JP)

(73) Assignee: **Nippon Steel Corporation**, Tokyo (JP)

(**) Term: **14 Years**

(21) Appl. No.: **29/392,809**

(22) Filed: **May 26, 2011**

(30) **Foreign Application Priority Data**

Mar. 30, 2011 (JP) 2011-007312

(51) **LOC (9) Cl.** **13-02**

(52) **U.S. Cl.** **D13/102**

(58) **Field of Classification Search** D13/102,
D13/101, 107, 184, 199; D12/406, 408;
D14/230, 239, 451, 452; 52/173.3; 126/573,
126/580, 606; 136/206, 230, 244-251, 256,
136/291, 292; 343/792.5, 813, 878, 879;
439/562, 567, 573

See application file for complete search history.

(56) **References Cited**

U.S. PATENT DOCUMENTS

5,228,924 A * 7/1993 Barker et al. 136/246
D467,221 S * 12/2002 Walstrom et al. D12/408
6,563,040 B2 * 5/2003 Hayden et al. 136/244
D562,225 S * 2/2008 Almy et al. D13/102
D565,505 S * 4/2008 Shugar et al. D13/102

D595,645 S * 7/2009 Beghelli D13/102
D611,404 S * 3/2010 Mackler D13/102
2007/0212935 A1 * 9/2007 Lenox 439/567

* cited by examiner

Primary Examiner — Derrick Holland

(74) *Attorney, Agent, or Firm* — Sughrue Mion, PLLC

(57) **CLAIM**

The ornamental design for a solar panel mount, as shown and described.

DESCRIPTION

FIG. 1 is a perspective view of a solar panel mount.

FIG. 2 is a front elevation view thereof.

FIG. 3 is a rear elevation view thereof.

FIG. 4 is a right side elevation view thereof. A left side elevation view is a mirror image of the right side elevation view.

FIG. 5 is a top plan view thereof.

FIG. 6 is a bottom plan view thereof.

FIG. 7 is an enlarged fragmentary view of the solar panel mount taken from FIG. 2.

FIG. 8 is an enlarged fragmentary view of the solar panel mount taken from FIG. 4.

FIG. 9 is an enlarged fragmentary view of the solar panel mount taken from FIG. 1.

FIG. 10 is a second perspective view of the solar panel mount shown in environmental use; and,

FIG. 11 is a third perspective view of the solar panel mount shown in an alternate environmental use.

The portion of the article shown in broken lines is for the purpose of showing environmental structure only and forms no part of the claimed design.

1 Claim, 11 Drawing Sheets

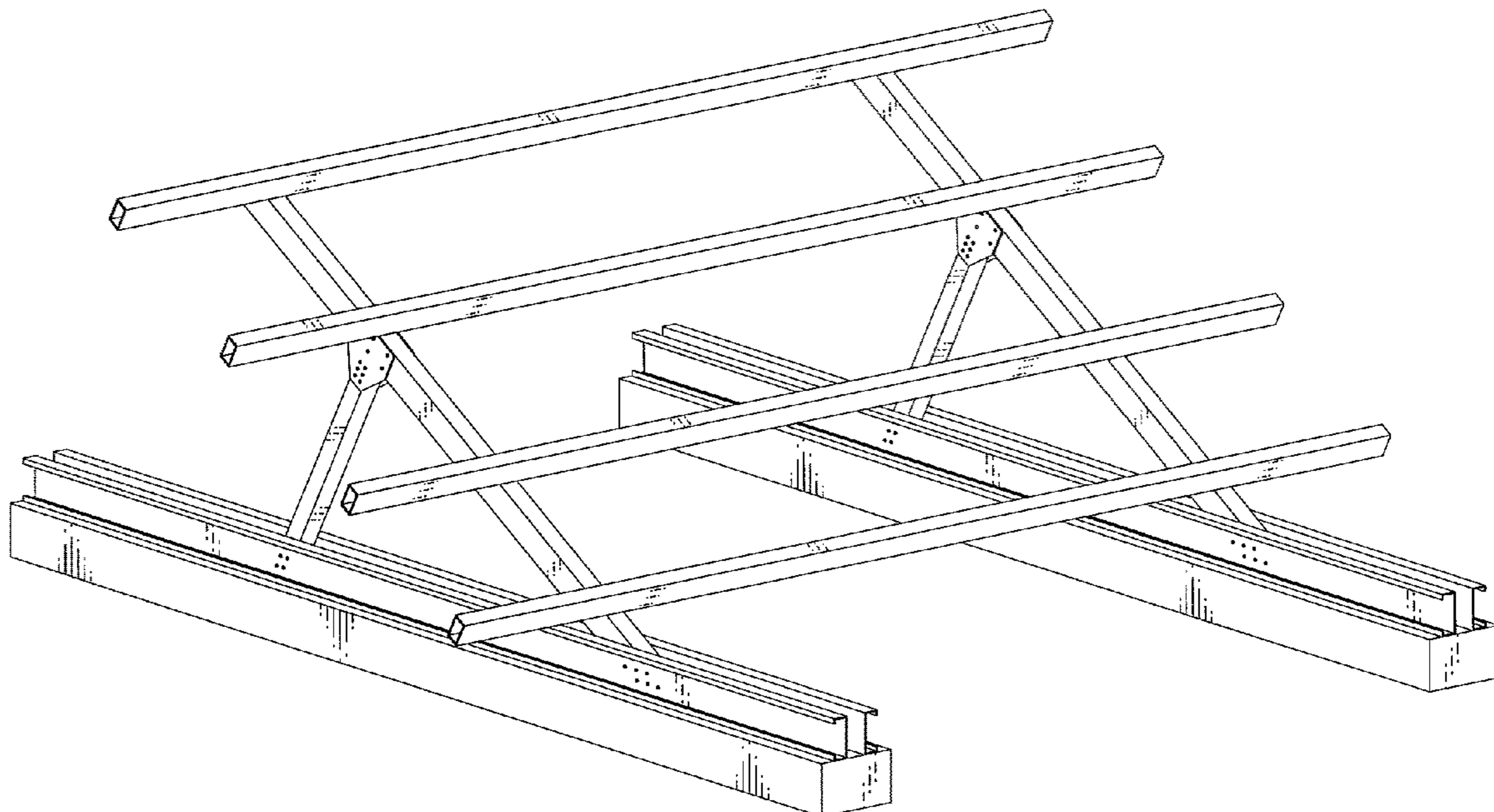


FIG. 1

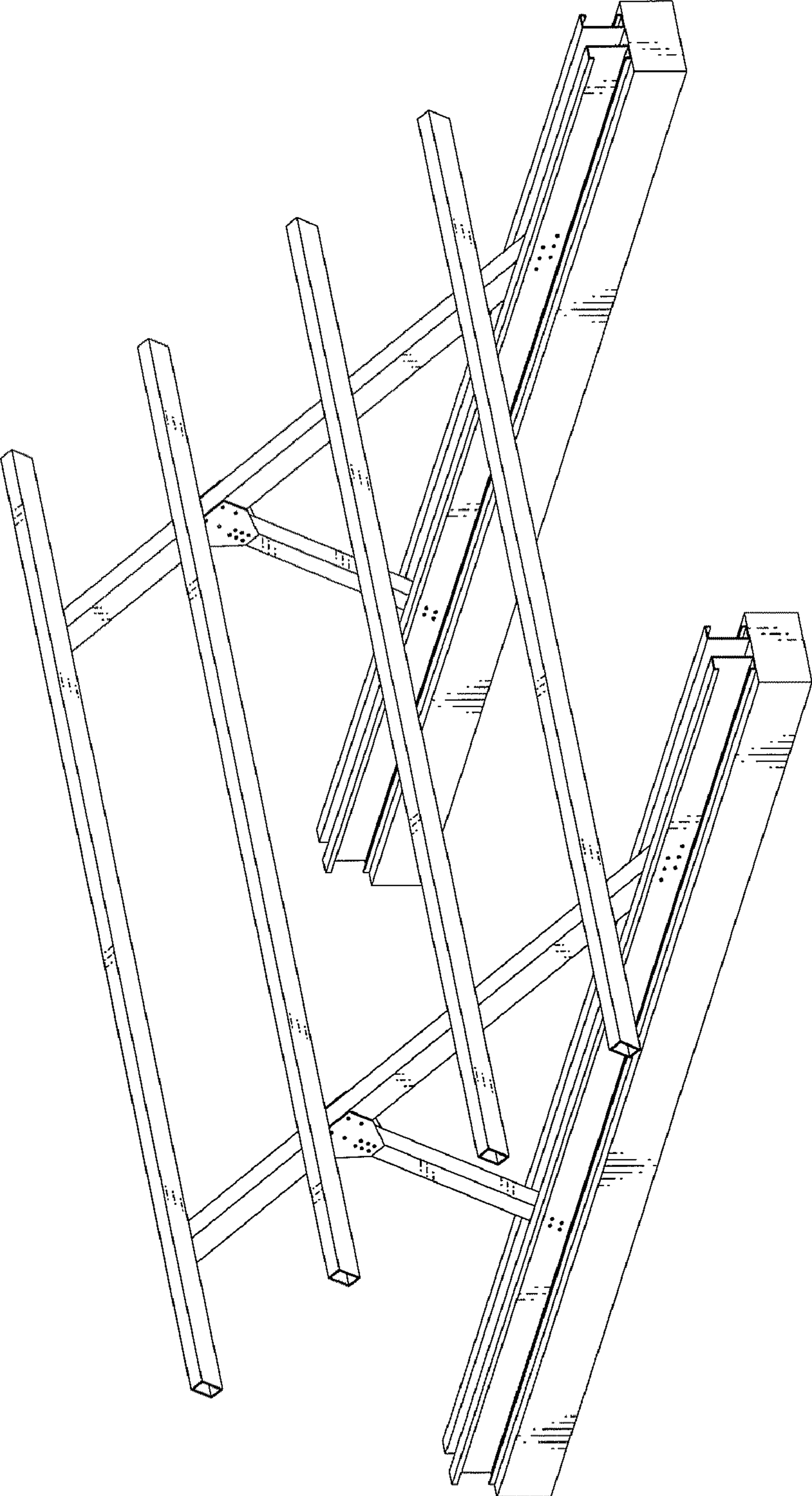


FIG. 2

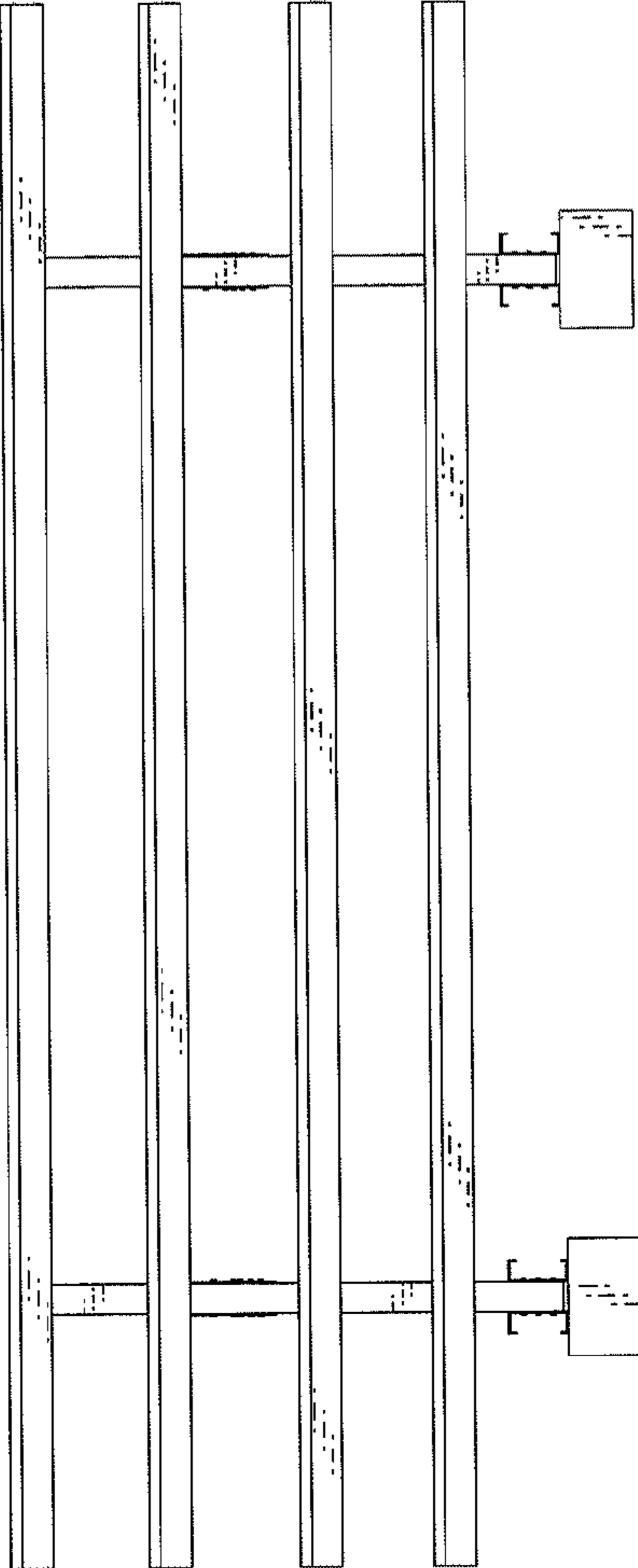


FIG. 3

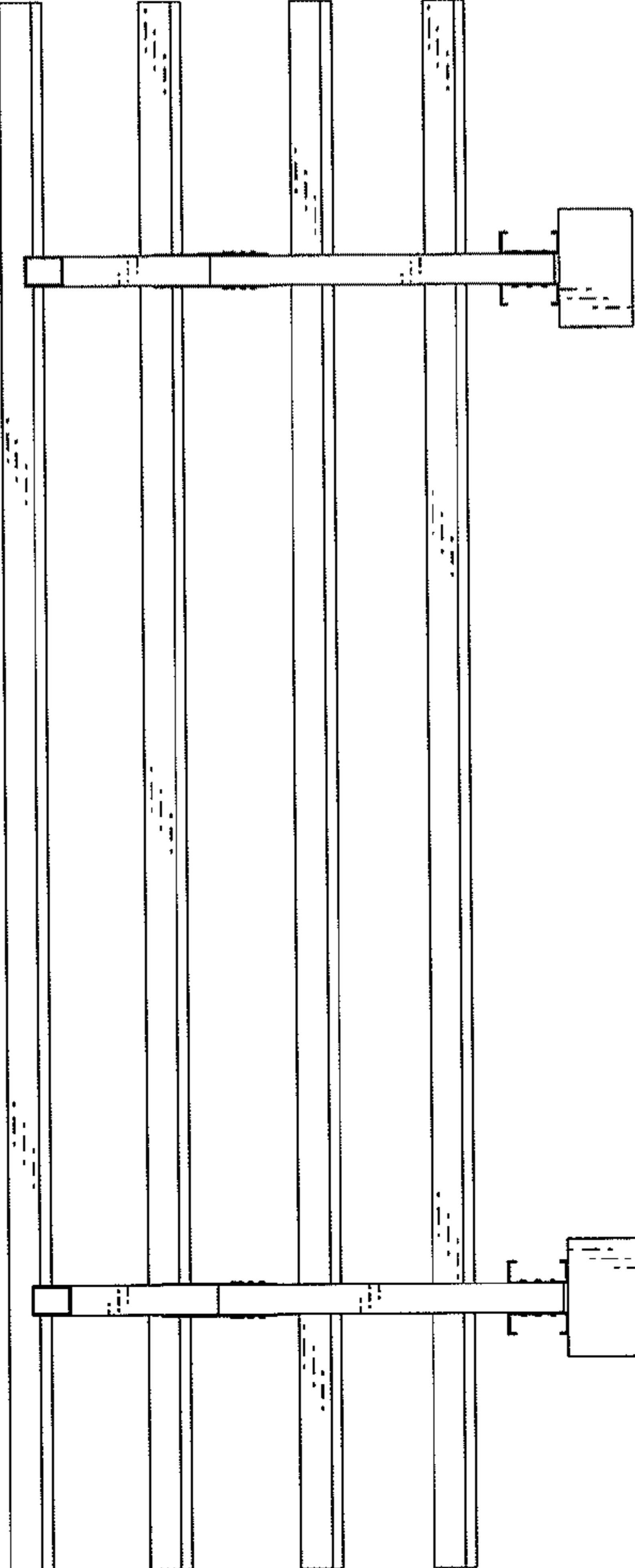
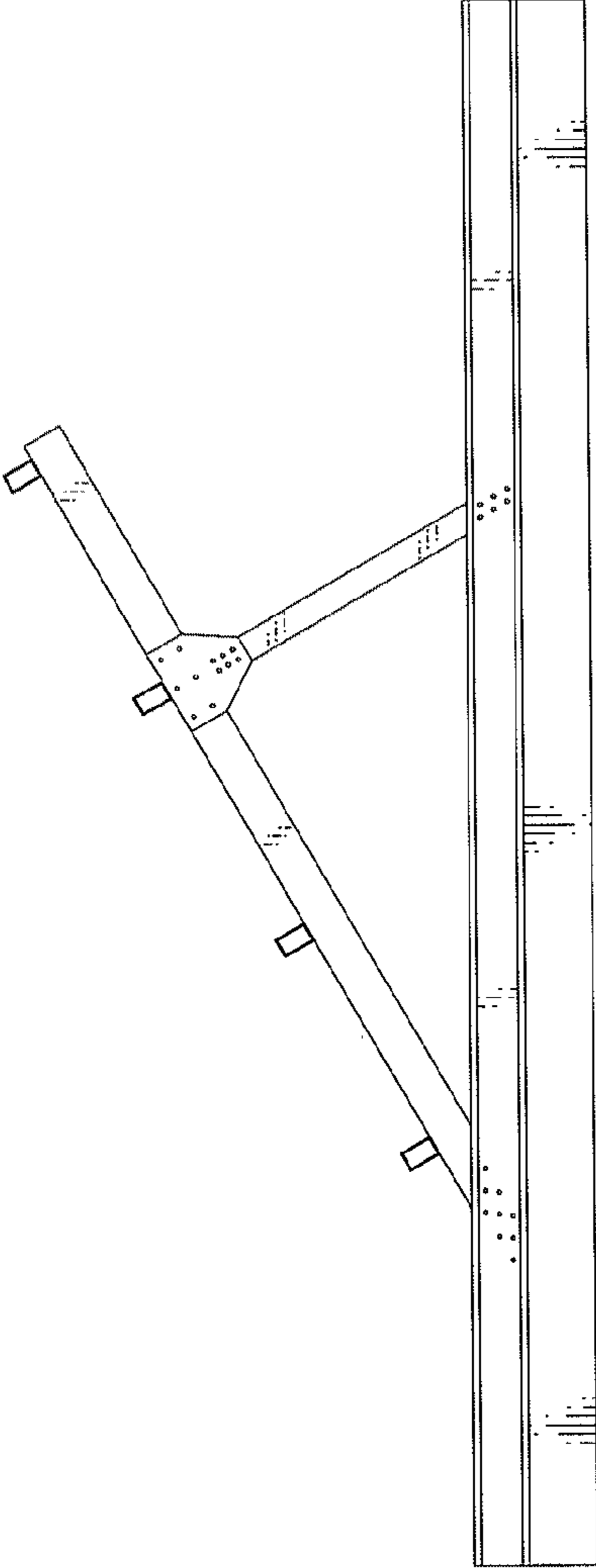


FIG. 4



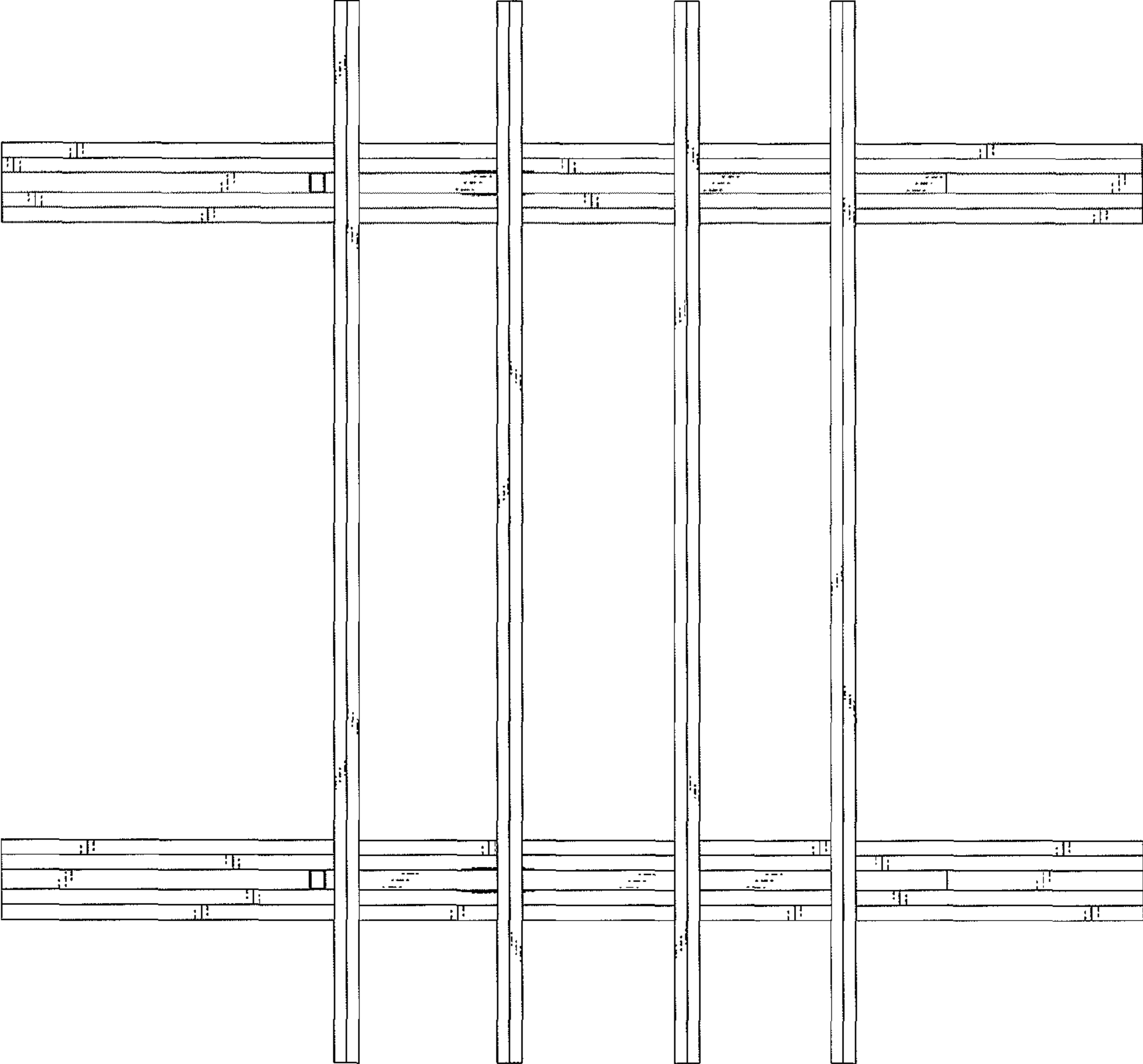


FIG. 5

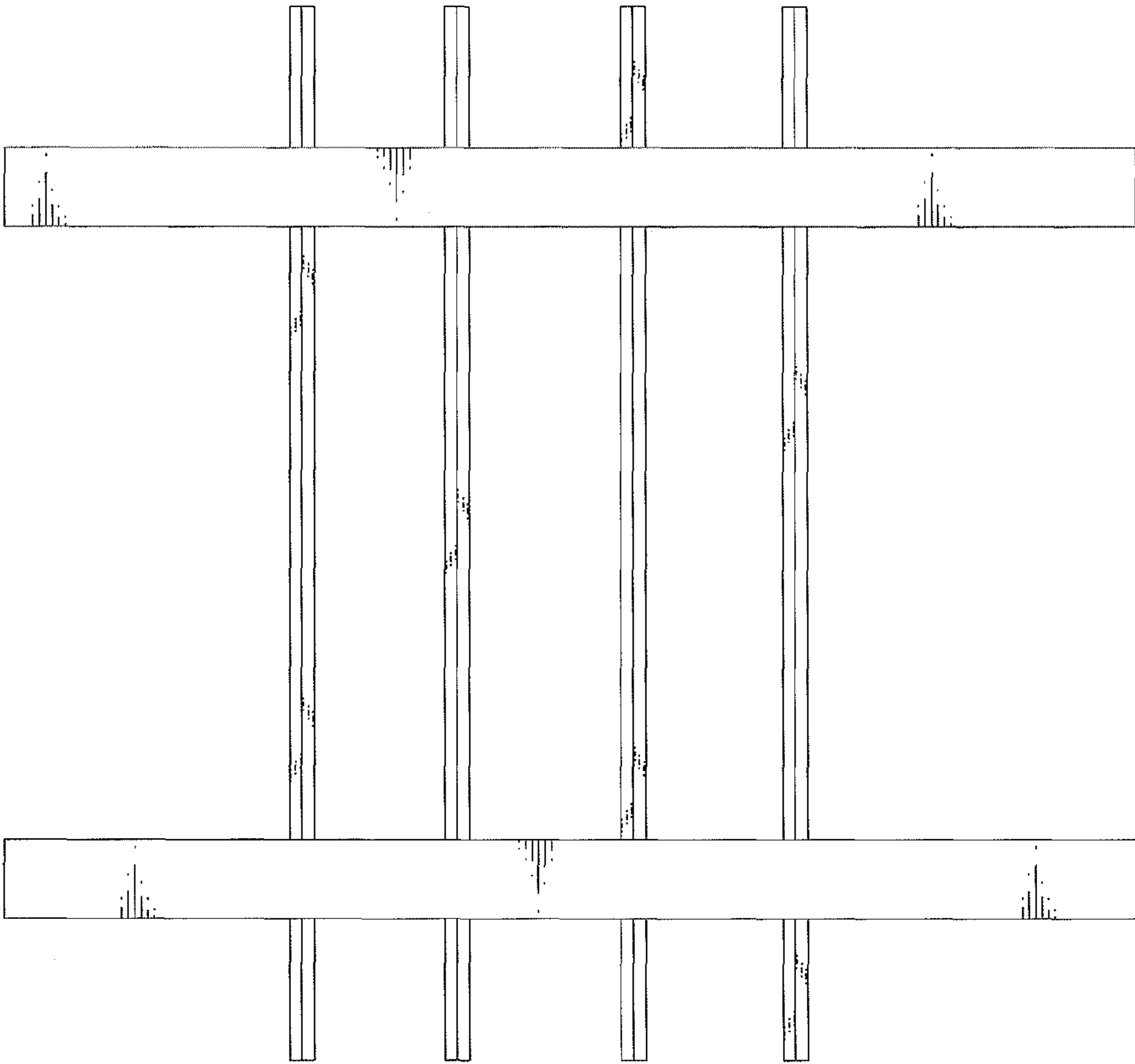


FIG. 6

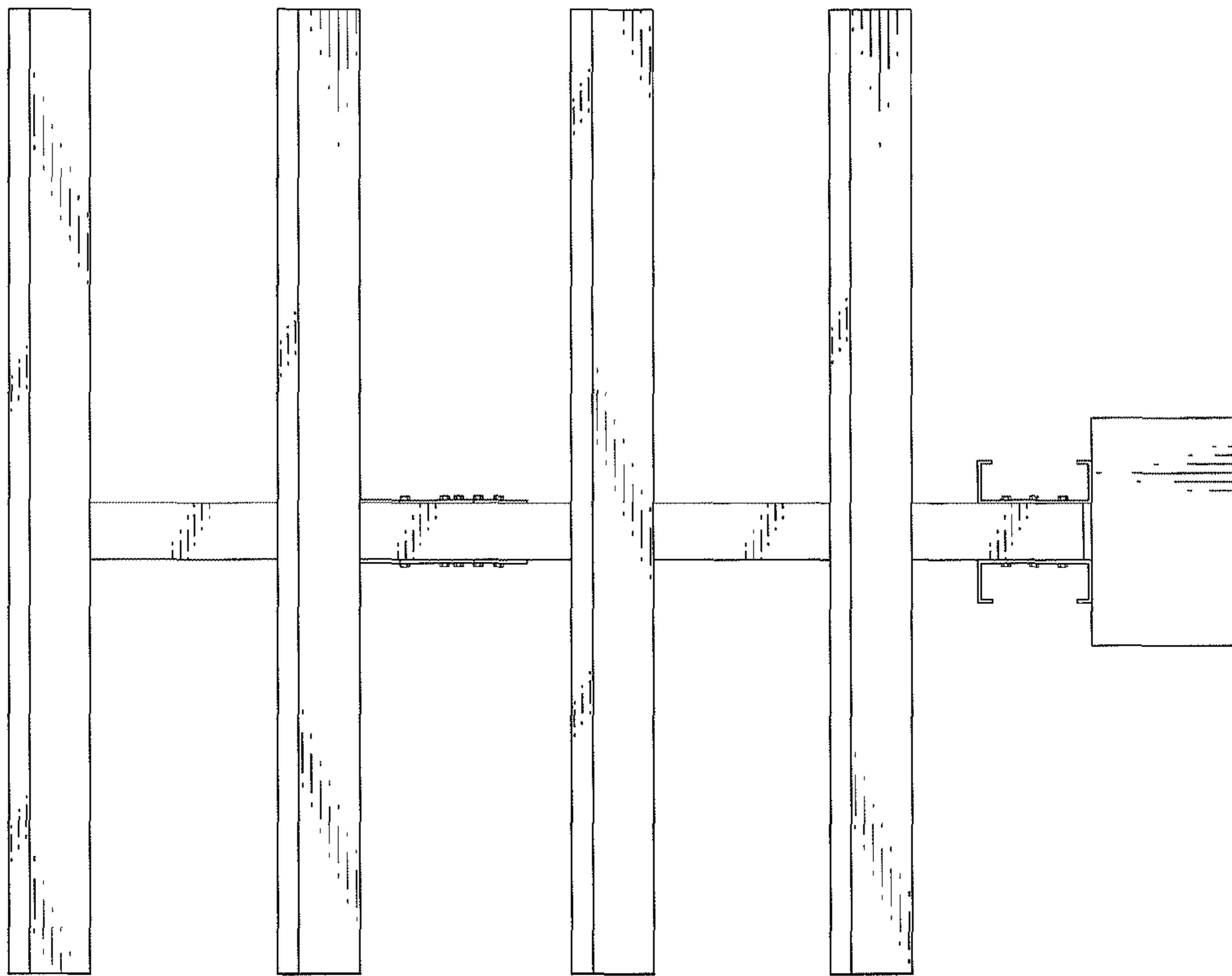


FIG. 7

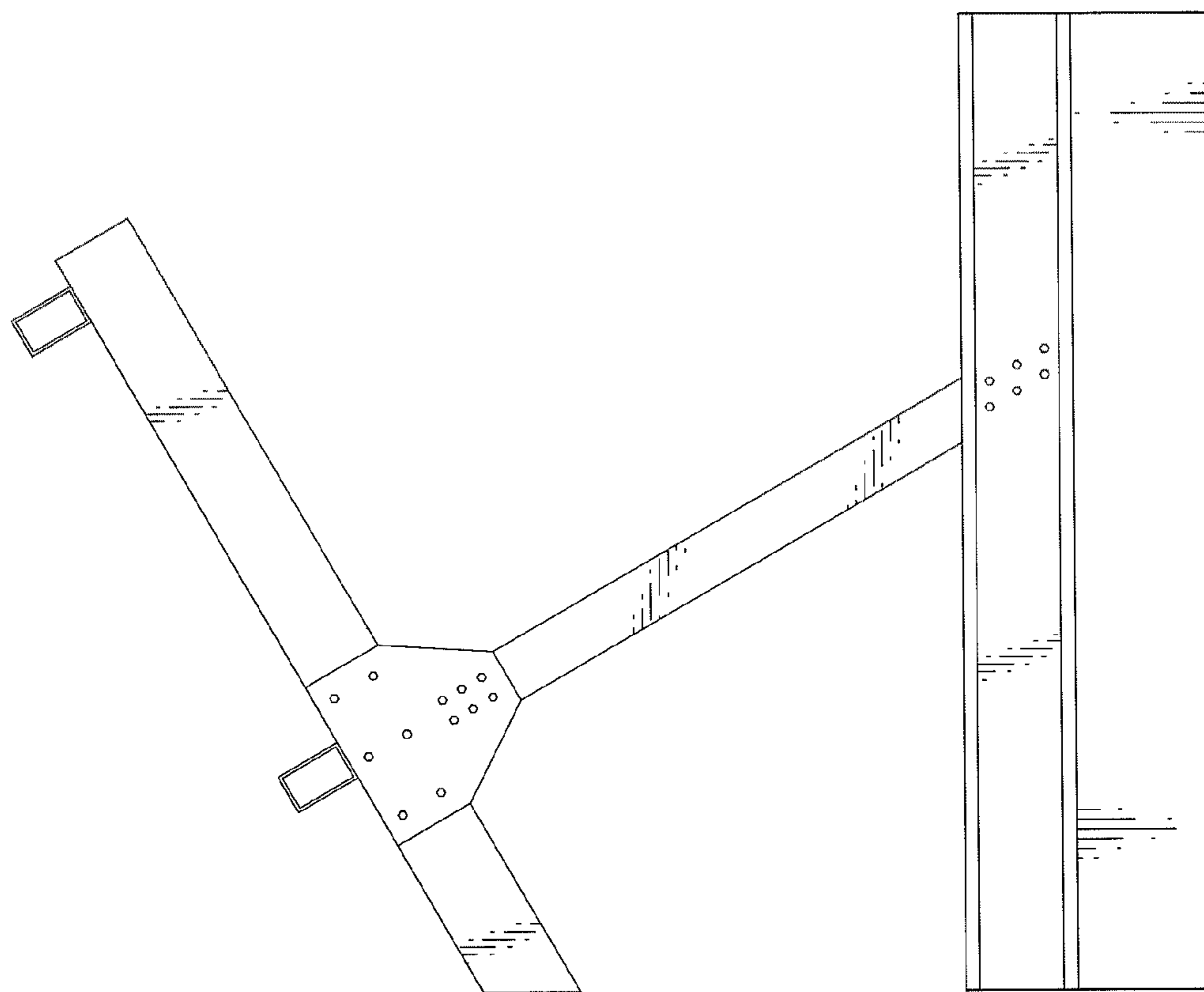


FIG. 8

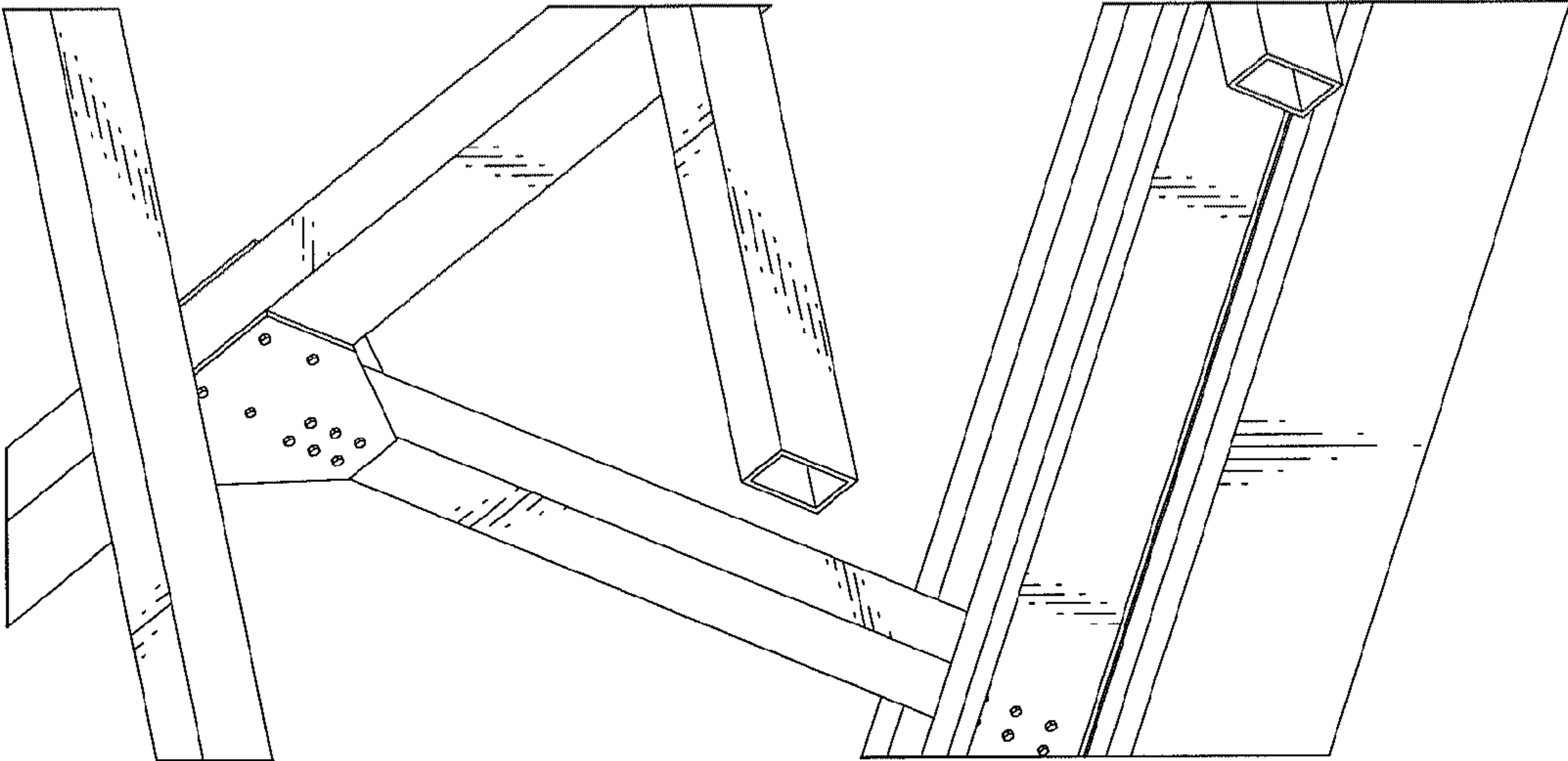


FIG. 9

FIG. 10

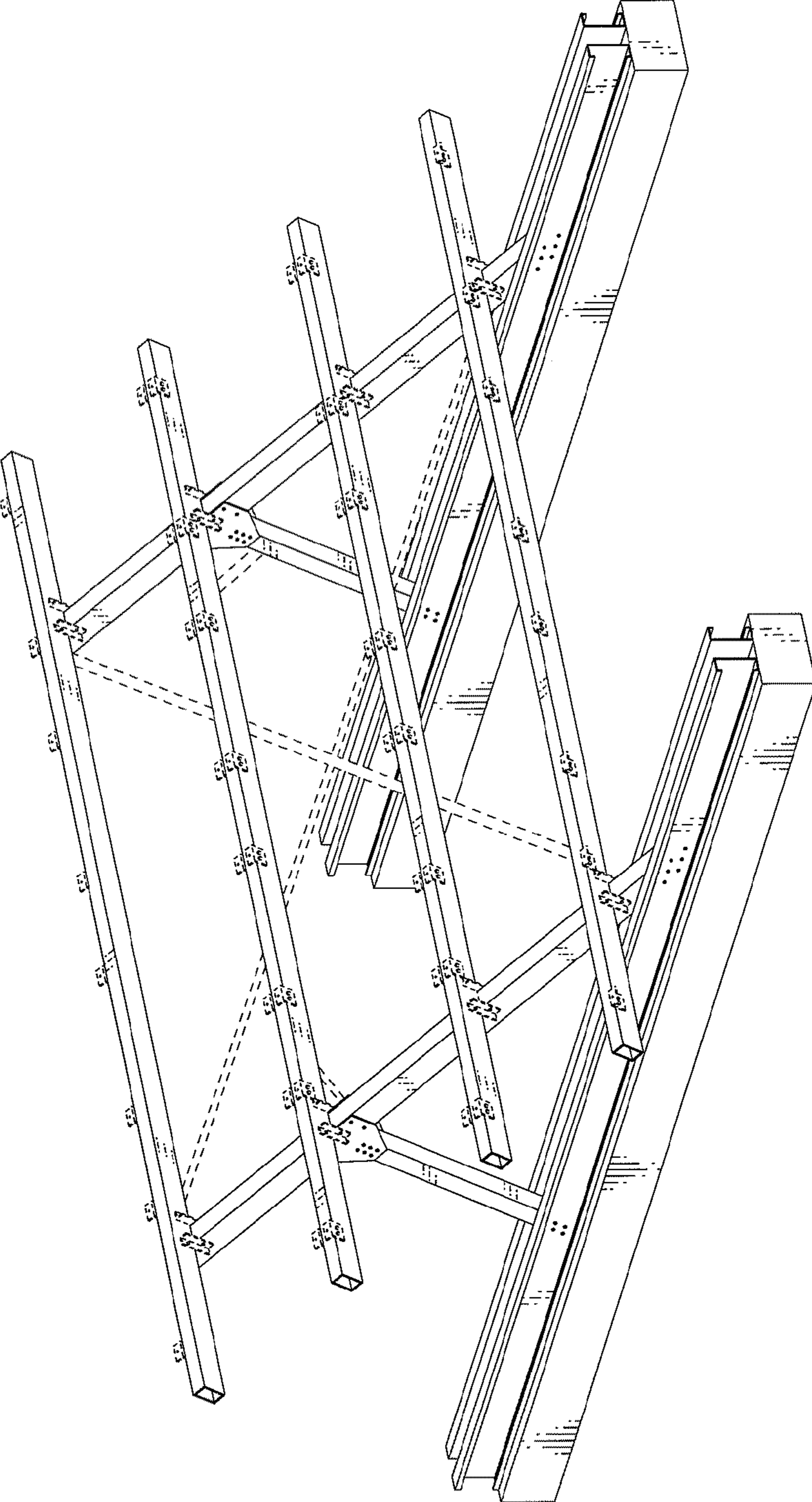


FIG. 11

