

US00D652787S

(12) **United States Design Patent**
Yang et al.

(10) **Patent No.:** **US D652,787 S**
(45) **Date of Patent:** **** Jan. 24, 2012**

(54) **PIN STRIPED THIN FILM SOLAR MODULE
FOR OUTDOOR ILLUMINATION LAMP**

(75) Inventors: **Frank Yang**, San Jose, CA (US); **Robert
Wieting**, San Jose, CA (US)

(73) Assignee: **Stion Corporation**, San Jose, CA (US)

(**) Term: **14 Years**

(21) Appl. No.: **29/377,246**

(22) Filed: **Oct. 19, 2010**

Related U.S. Application Data

(62) Division of application No. 29/338,555, filed on Jun.
12, 2009, now abandoned.

(51) **LOC (9) Cl.** **13-02**

(52) **U.S. Cl.** **D13/102**

(58) **Field of Classification Search** D13/102,
D13/101, 184, 199; D26/113; 126/569,
126/571, 578; 136/243-252, 256, 257, 260,
136/261; 351/203

See application file for complete search history.

(56) **References Cited**

U.S. PATENT DOCUMENTS

3,072,920	A *	1/1963	Yellott	126/566
D308,416	S *	6/1990	Brumbach	D23/370
6,443,572	B1 *	9/2002	Lawson	351/203
D494,536	S *	8/2004	Pu	D13/102
D537,217	S *	2/2007	Charmoille et al.	D32/25
D555,084	S *	11/2007	Sharma et al.	D13/102
D559,174	S *	1/2008	Sharma et al.	D13/102

* cited by examiner

Primary Examiner — Derrick Holland

(74) *Attorney, Agent, or Firm* — Kilpatrick Townsend &
Stockton LLP

(57) **CLAIM**

The ornamental design for a pin striped thin film solar module
for outdoor illumination lamp, as shown and described.

DESCRIPTION

FIG. 1 is a perspective view of a pin striped thin film solar
module for outdoor illumination lamp showing our new
design;

FIG. 2 is a front elevational view thereof;

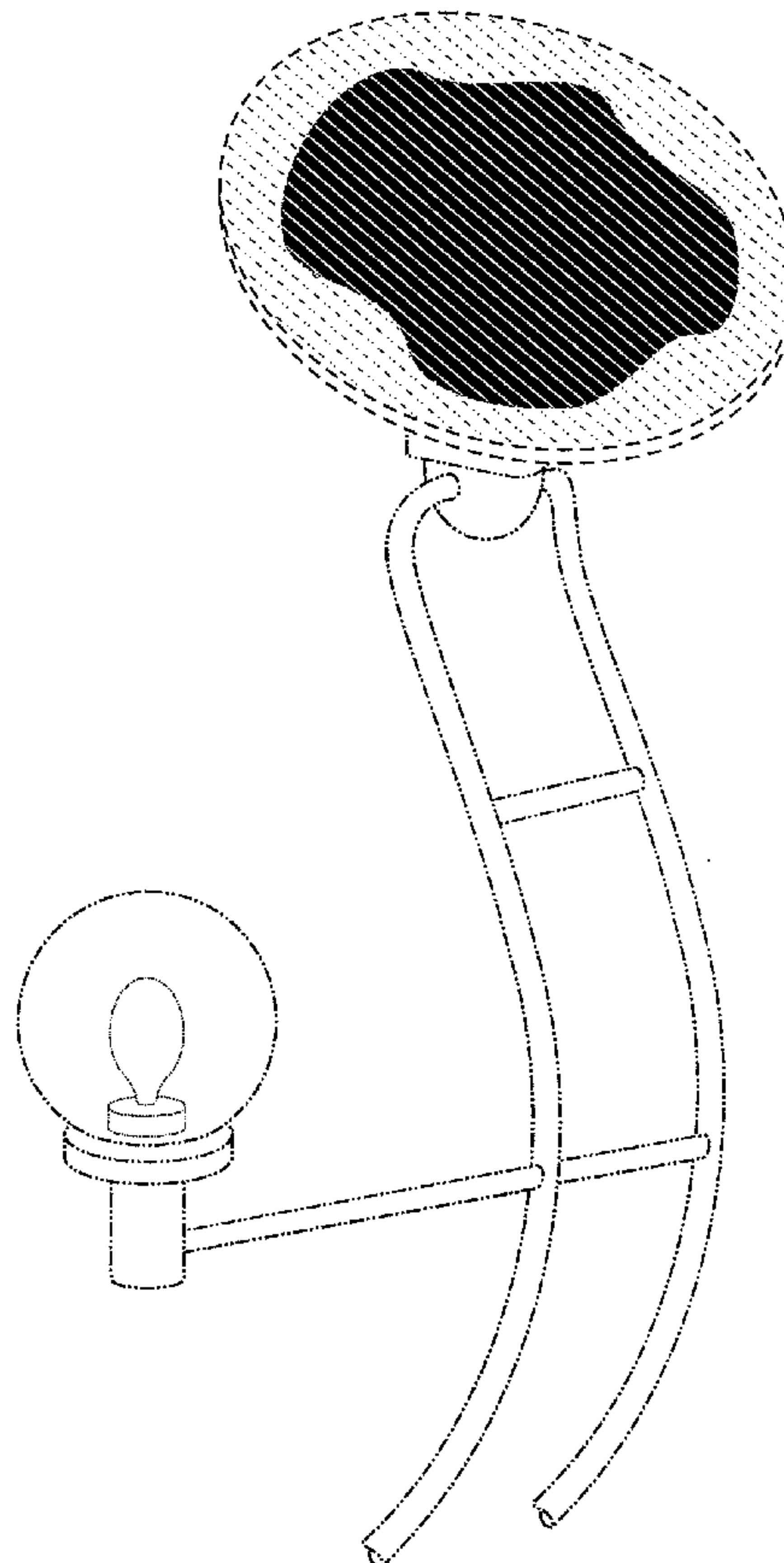
FIG. 3 is a left side elevational view thereof;

FIG. 4 is a right side elevational view thereof; and,

FIG. 5 is a top plan view thereof.

The broken lines shown represent unclaimed subject matter
and form no part of the claimed design.

1 Claim, 5 Drawing Sheets



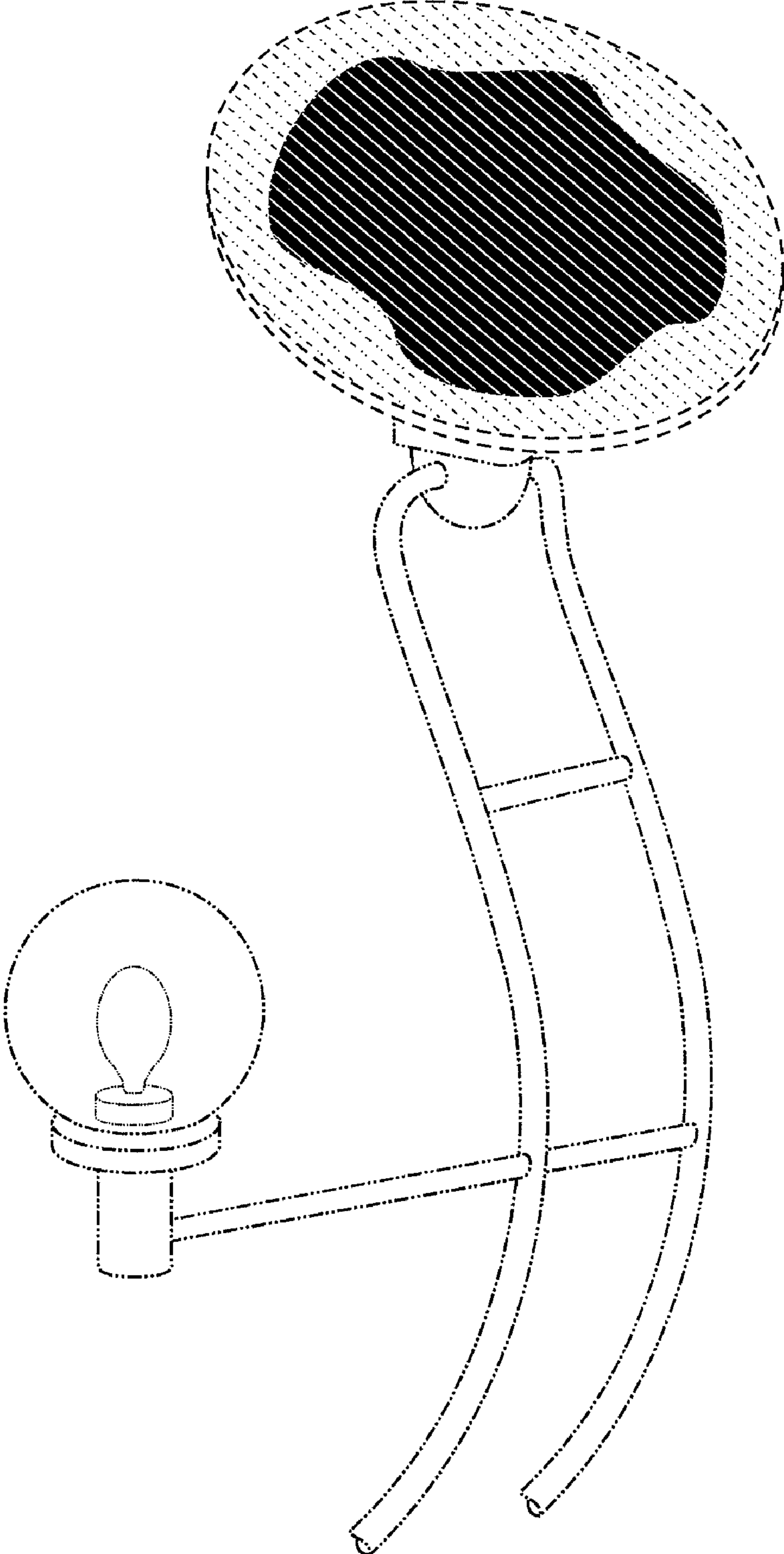


FIGURE 1

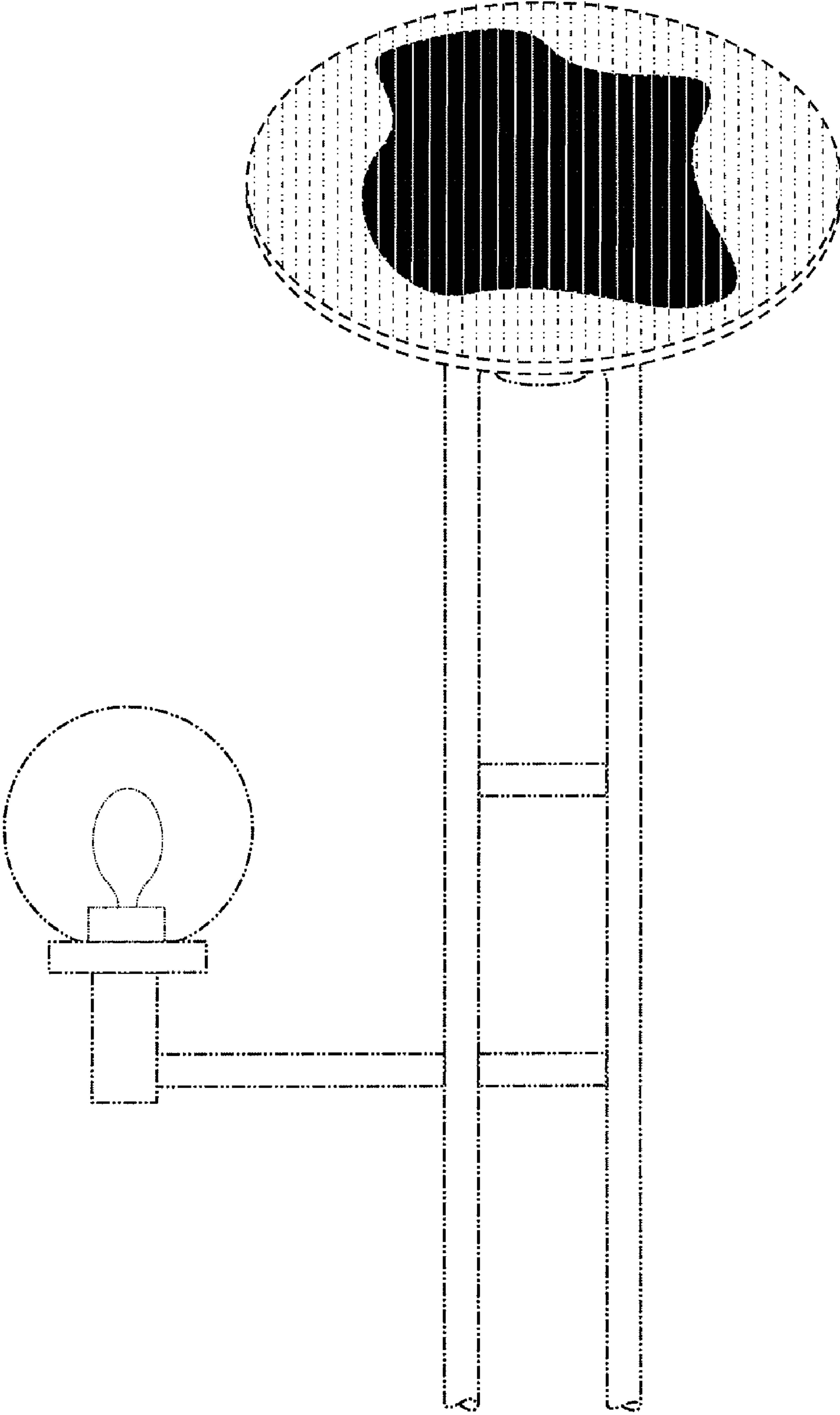


FIGURE 2

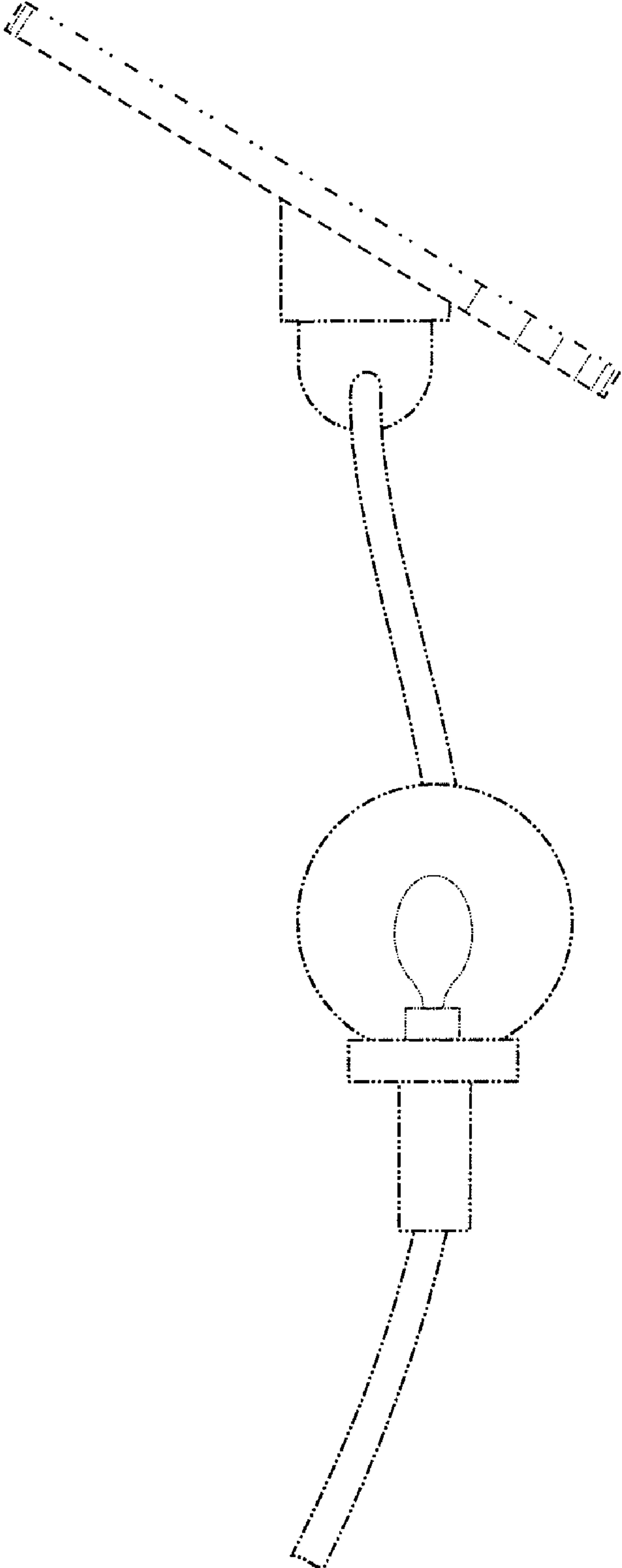


FIGURE 3

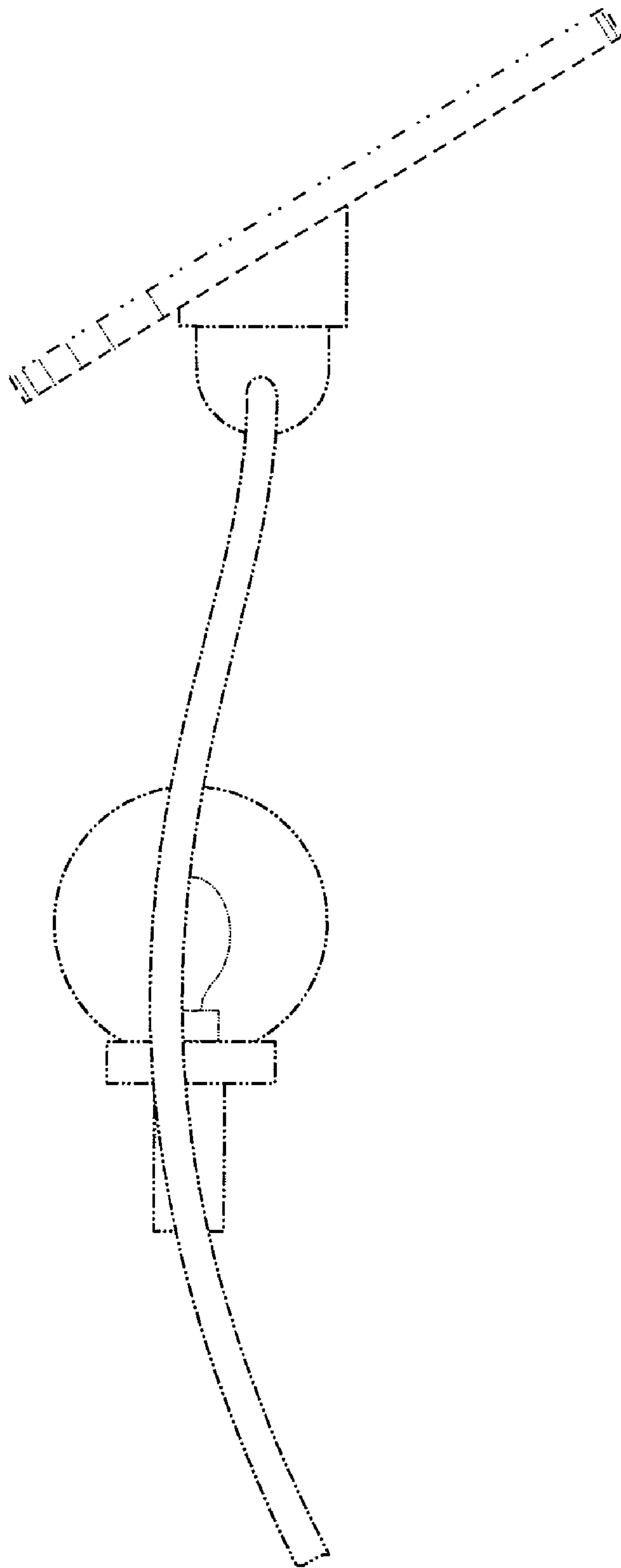


FIGURE 4

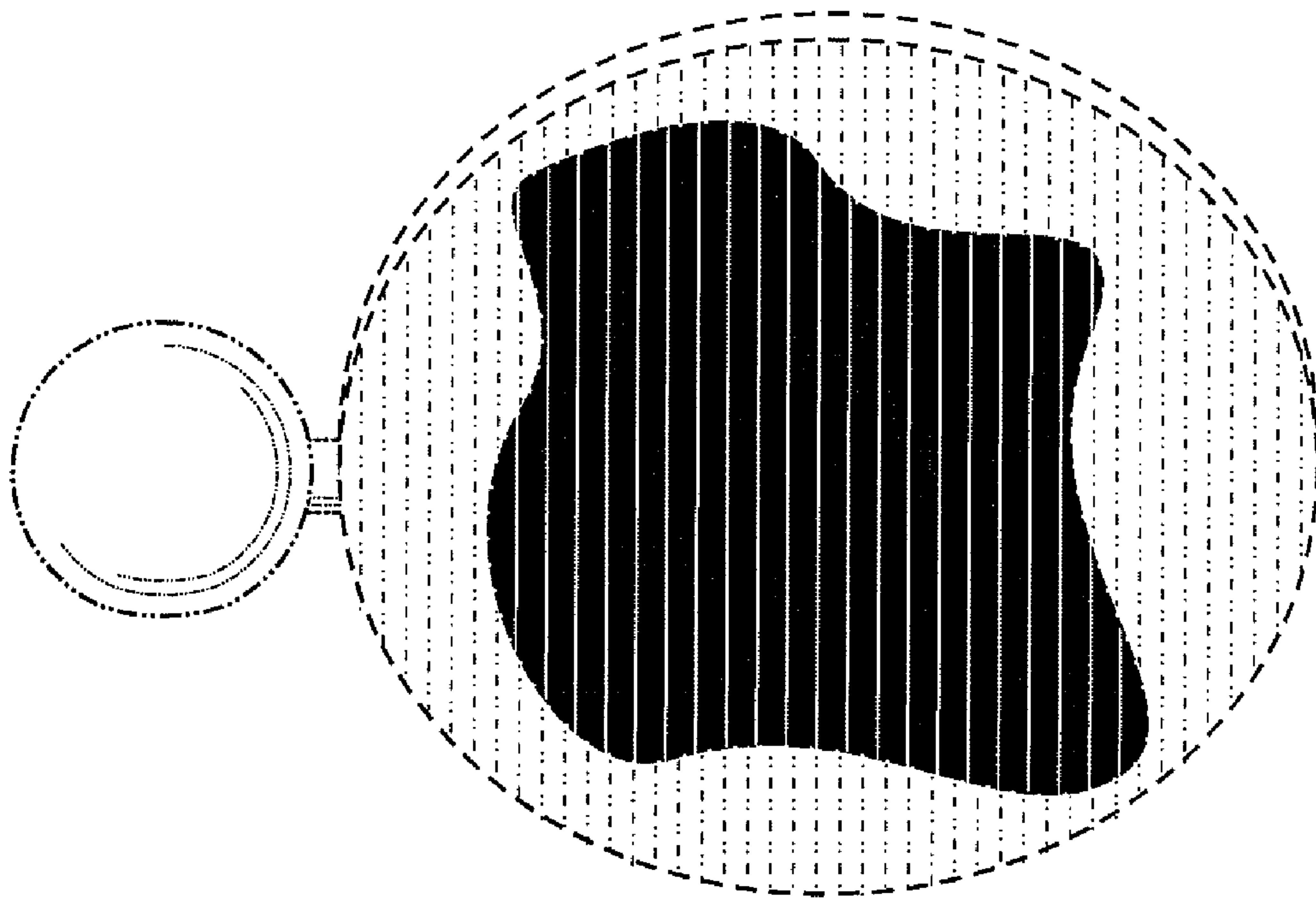


FIGURE 5