



US00D652785S

(12) **United States Design Patent**
Rittweger et al.

(10) **Patent No.:** **US D652,785 S**
(45) **Date of Patent:** **** Jan. 24, 2012**

(54) **TIRE TREAD FOR A VEHICLE TIRE**

D207,151 S * 3/1967 Wittenmyer D12/586
D429,480 S * 8/2000 Bonko D12/500
D608,727 S * 1/2010 Brown et al. D12/583

(75) Inventors: **Stefan Rittweger**, Hanover (DE);
Thomas Buchinger-Barnstorf,
Wennigsen (DE)

OTHER PUBLICATIONS

Mitas H-10 Tire; 2005 Tread Design Guide, p. 214, Row 2, Item 5.*
BHGoodrich TR134 Tire; 2006 Tread Design Guide, p. 102, Row 1,
Item 3.*

(73) Assignee: **Continental Reifen Deutschland GmbH**, Hanover (DE)

* cited by examiner

(**) Term: **14 Years**

Primary Examiner — Garth Rademaker

(21) Appl. No.: **29/344,311**

(74) *Attorney, Agent, or Firm* — Laurence A. Greenberg;
Werner H. Stemer; Ralph E. Locher

(22) Filed: **Sep. 28, 2009**

(30) **Foreign Application Priority Data**

(57) **CLAIM**

Jun. 23, 2009 (EM) 001558172

The ornamental design for a tire tread for a vehicle tire, as shown and described.

(51) **LOC (9) Cl.** **12-15**

DESCRIPTION

(52) **U.S. Cl.** **D12/590; D12/900**

(58) **Field of Classification Search** D12/500,
D12/502, 503, 568, 571, 574, 577-579, 586-591,
D12/604, 900, 901; 152/209.1, 209.3, 209.18,
152/209.19, 209.22, 209.25, 209.27, 209.28
See application file for complete search history.

FIG. 1 is a perspective view of a tire tread for a vehicle tire, showing our new design;
FIG. 2 is a front elevational view thereof;
FIG. 3 is a side elevational view thereof; and,
FIG. 4 is an enlarged partial front view thereof.

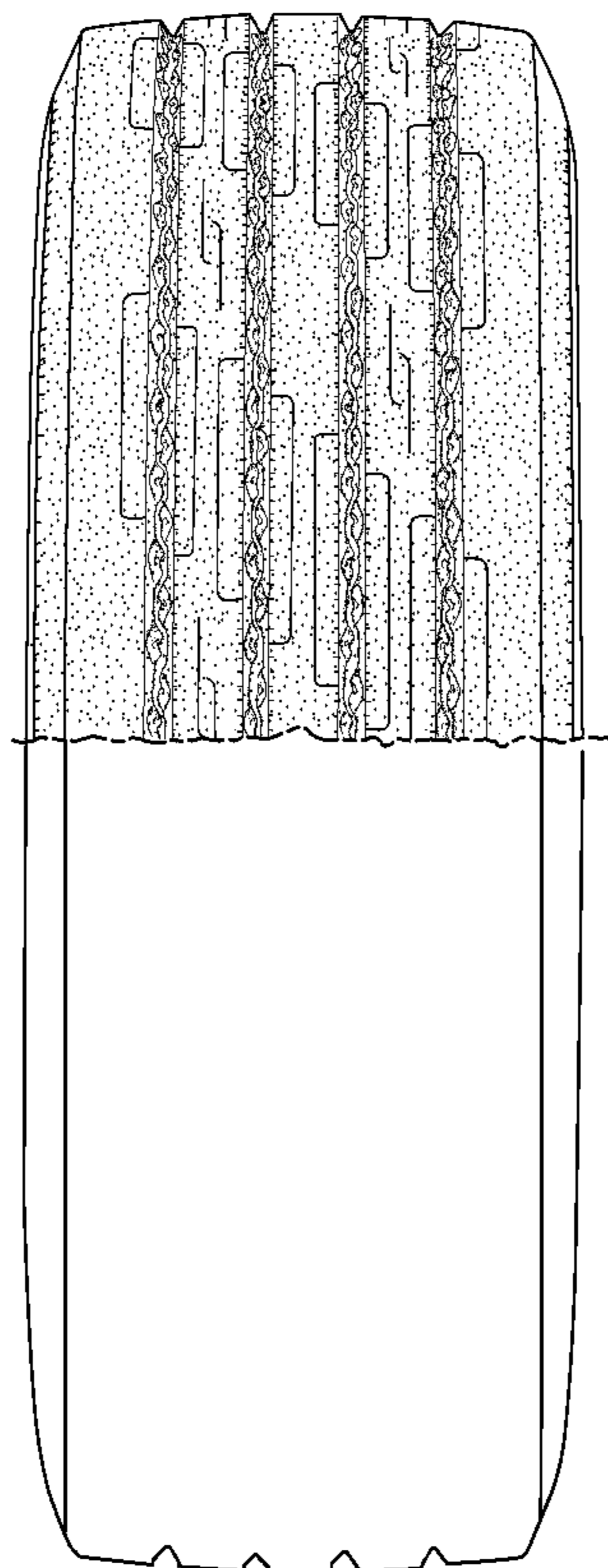
(56) **References Cited**

The vehicle tire pattern is repeated uniformly around the circumference of the structure. The dash-dot lines showing the boundaries of the illustrated detail and the broken lines depicting the sidewall of the tire do not form part of the claim.

U.S. PATENT DOCUMENTS

D63,048 S * 9/1923 Comstock et al. D12/502
D188,304 S * 6/1960 Caulkins D12/598

1 Claim, 4 Drawing Sheets



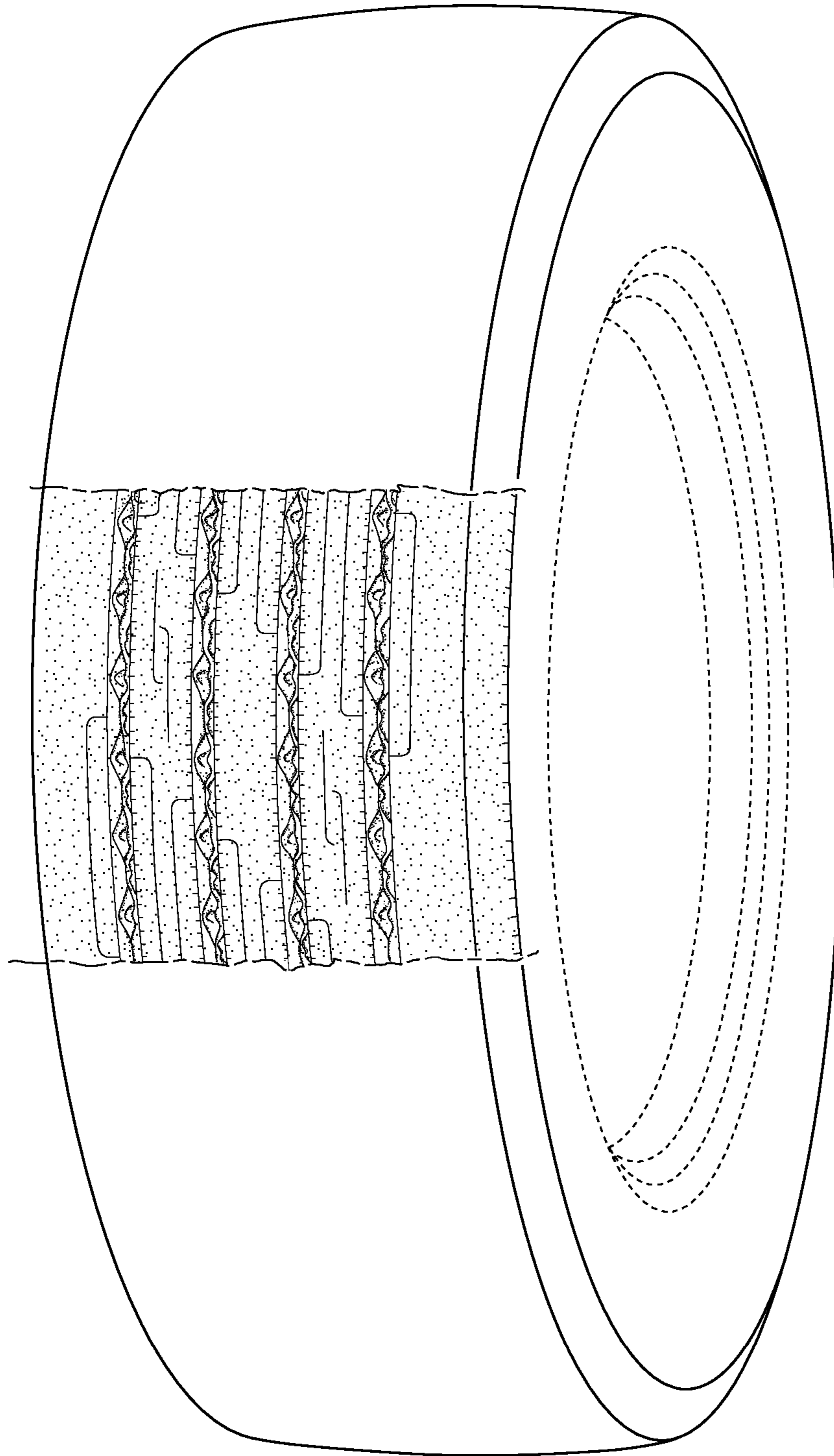


FIG. 1

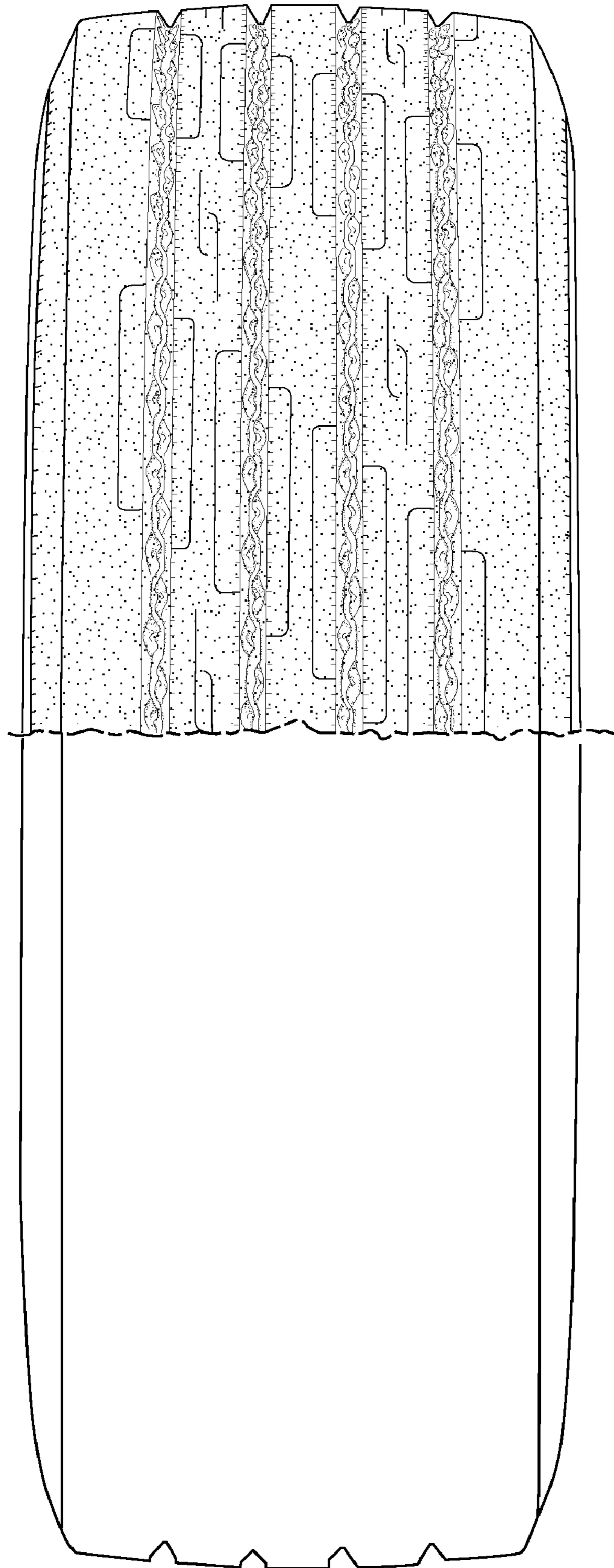


FIG. 2

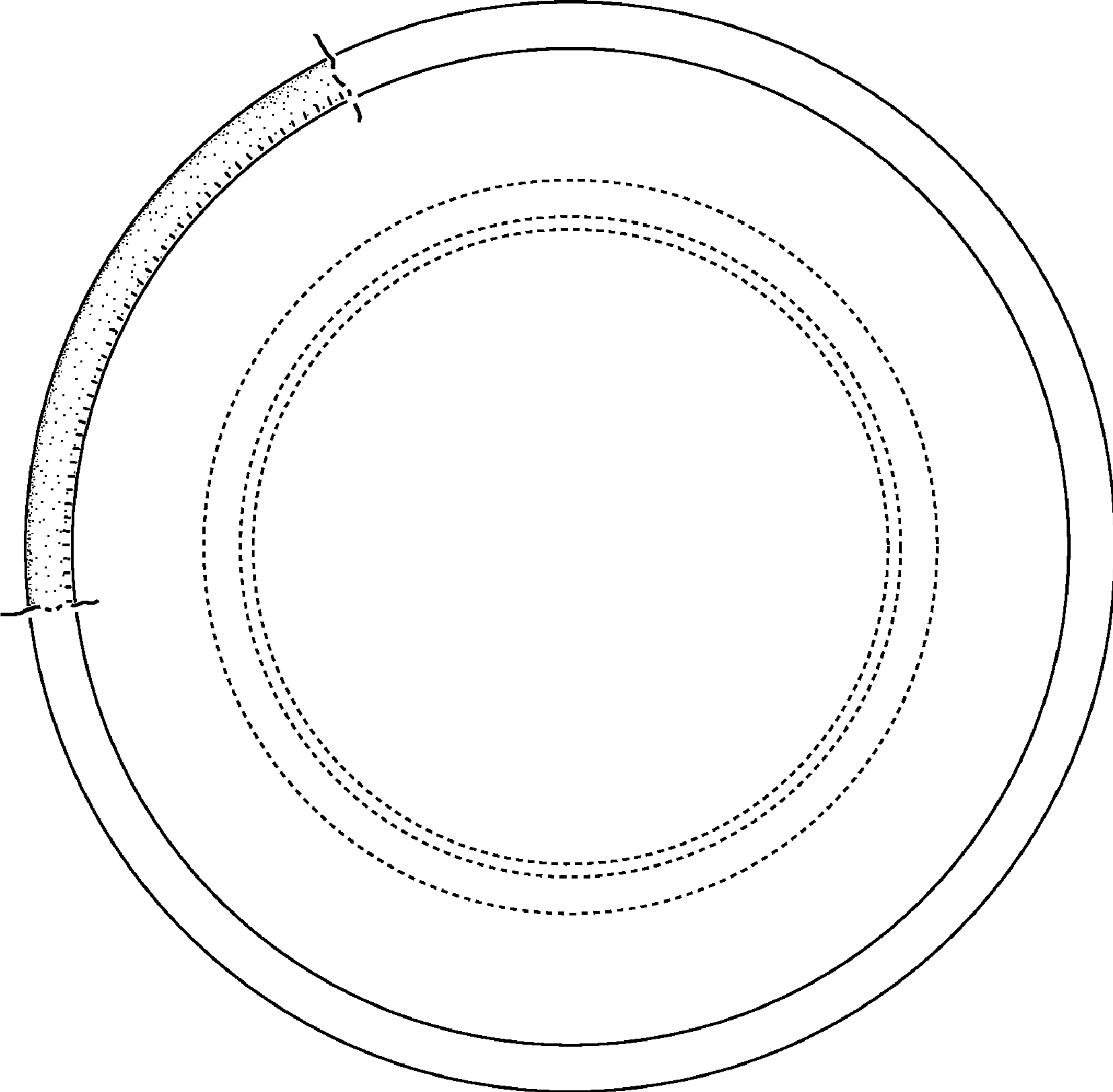


FIG. 3

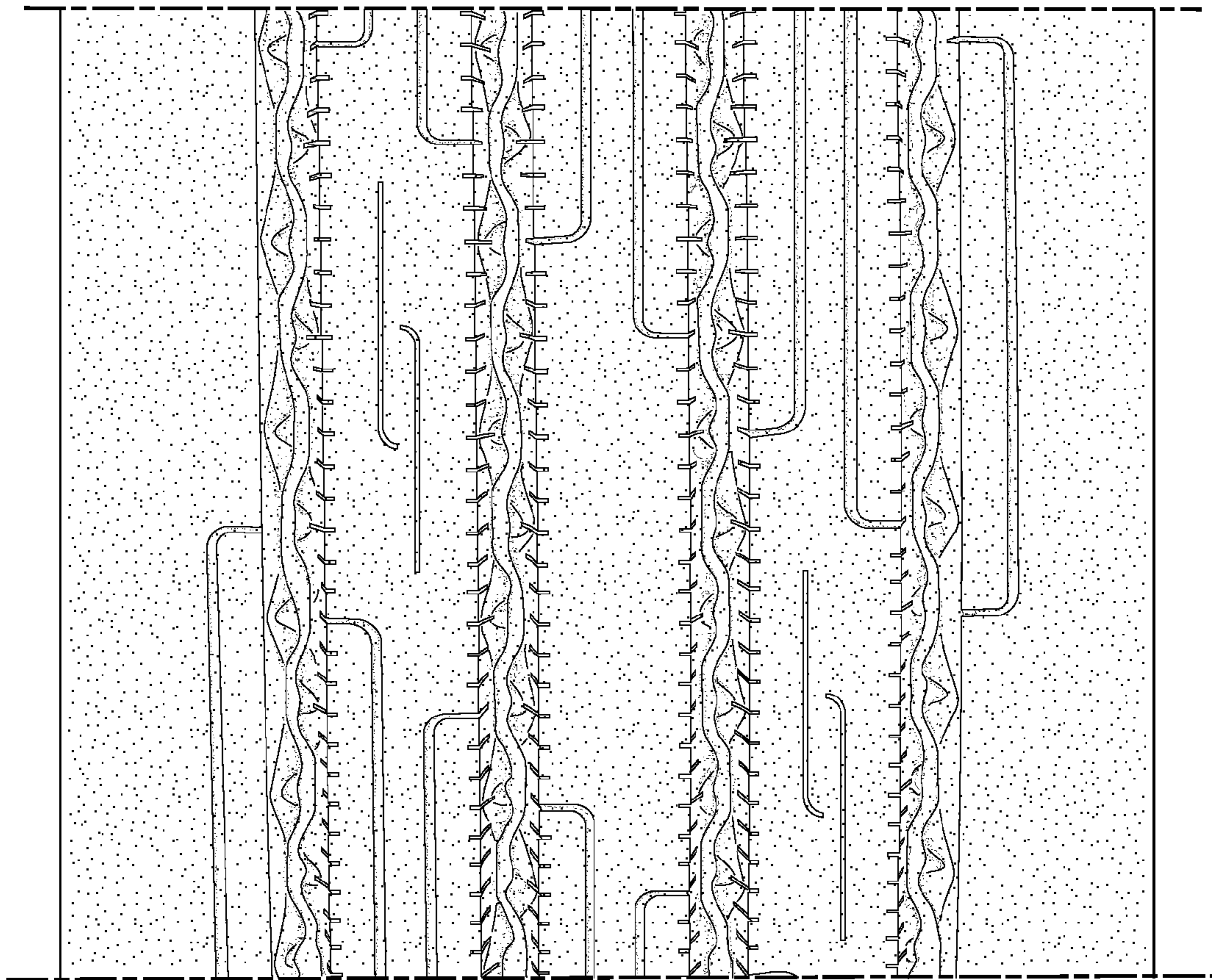


FIG. 4