



US00D652783S

(12) **United States Design Patent**
Serpell

(10) **Patent No.:** **US D652,783 S**
(45) **Date of Patent:** **** Jan. 24, 2012**

(54) **BOTTLE MOUNT**

(76) Inventor: **Steven Roy Serpell**, Bendigo (AU)

(**) Term: **14 Years**

(21) Appl. No.: **29/366,094**

(22) Filed: **Jul. 20, 2010**

(30) **Foreign Application Priority Data**

Jan. 21, 2010 (AU) 201010185

(51) **LOC (9) Cl.** **12-11**

(52) **U.S. Cl.** **D12/411**

(58) **Field of Classification Search** D12/411,
D12/420, 111, 114; 224/412-414, 419, 425,
224/427, 441, 443-461, 522, 524, 533, 42.11;
248/311.1, 313, 316.1; D7/620

See application file for complete search history.

(56) **References Cited**

U.S. PATENT DOCUMENTS

4,386,721	A *	6/1983	Shimano	224/414
4,830,239	A *	5/1989	Tackles et al.	224/414
D336,871	S *	6/1993	Lee-Chang	D12/114
D337,288	S *	7/1993	Ringle'	D12/114
5,238,160	A *	8/1993	Faulds	224/414
5,264,064	A *	11/1993	Hughes	156/281
5,301,860	A *	4/1994	Paczonay	224/414
D346,996	S *	5/1994	Blackburn	D12/411

D347,941	S *	6/1994	Minx	D12/411
D348,641	S *	7/1994	Tsushi	D12/411
D348,996	S *	7/1994	Saunders	D6/465
D507,232	S *	7/2005	Xie	D12/411
7,886,947	B2 *	2/2011	Campagnolo	224/414

* cited by examiner

Primary Examiner — Susan M Lee

Assistant Examiner — Linda G. Brooks

(74) *Attorney, Agent, or Firm* — Letham Law Firm LLC;
Lawrence Letham

(57) **CLAIM**

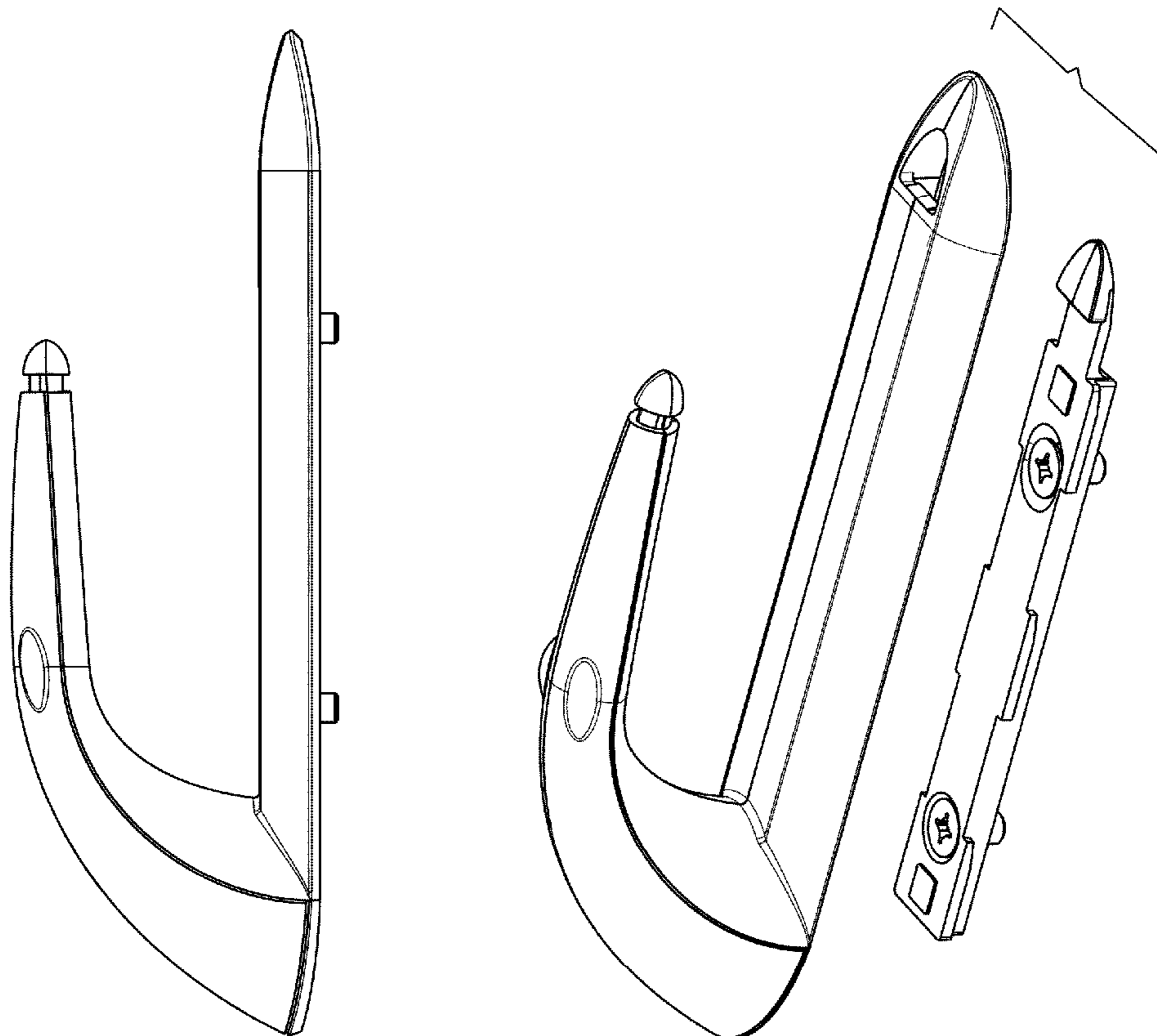
The ornamental design for a bottle mount, as shown and described.

DESCRIPTION

FIG. 1 is a front view of the bottle mount;
FIG. 2 is a side view of the bottle mount of FIG. 1, the other side being a mirror image thereof;
FIG. 3 is a rear view of the bottle mount of FIG. 1;
FIG. 4 is a top view of the bottle mount of FIG. 1;
FIG. 5 is a bottom view of the bottle mount of FIG. 1; and,
FIG. 6 is an exploded perspective view of the bottle mount of FIG. 1.

The broken lines illustrate portions of the bottle mount that form no part of the claimed design.

1 Claim, 4 Drawing Sheets



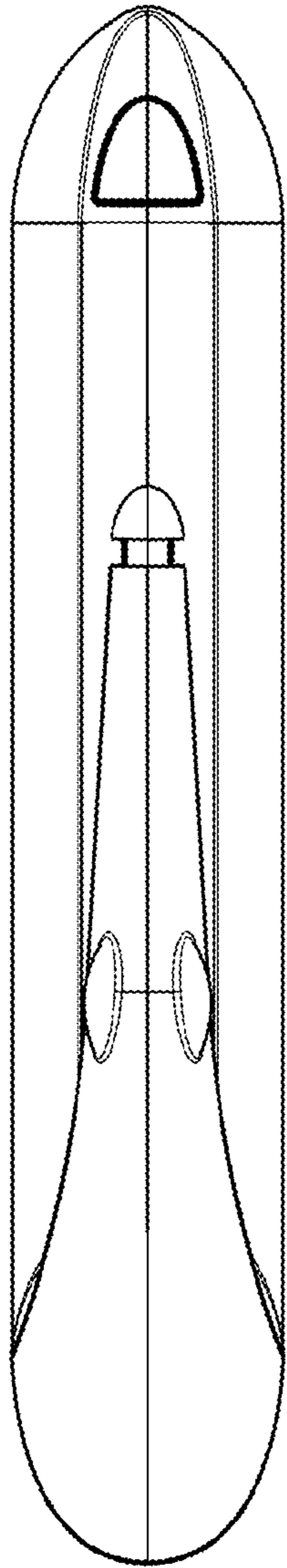


FIG. 1

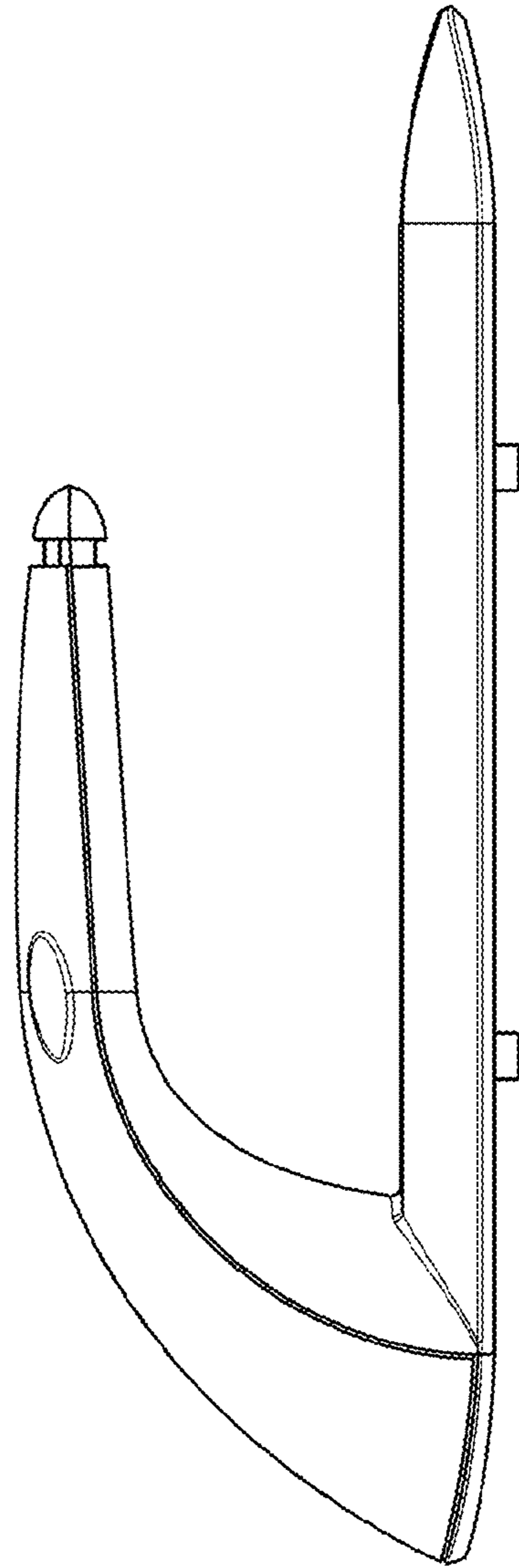


FIG. 2

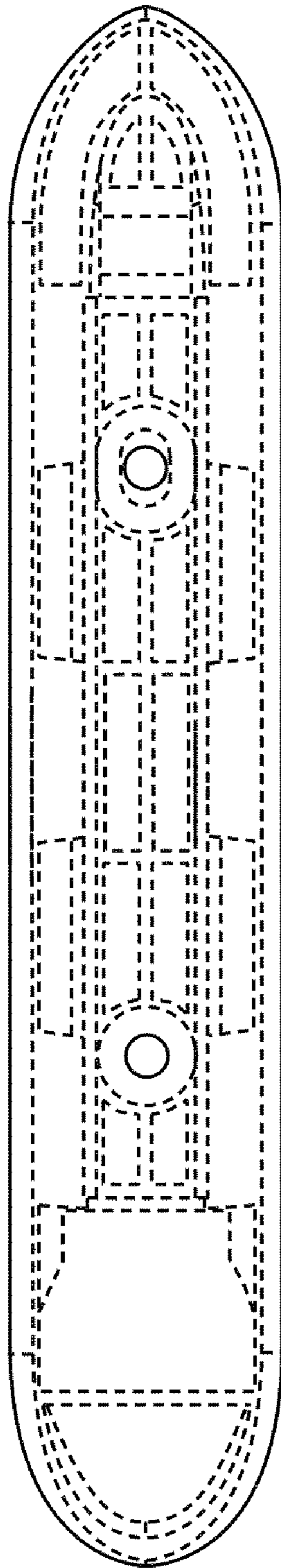


FIG. 3

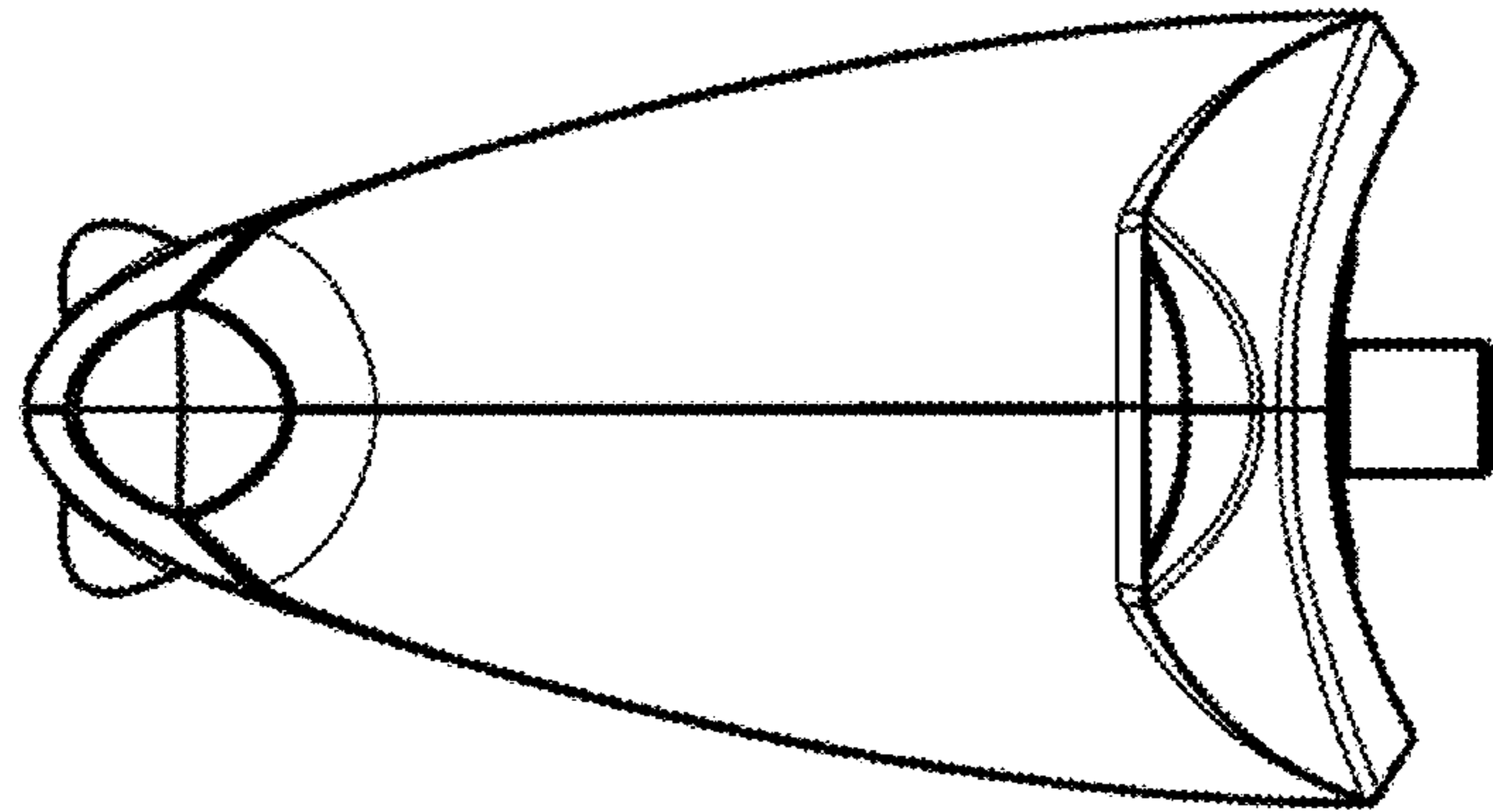


FIG. 4

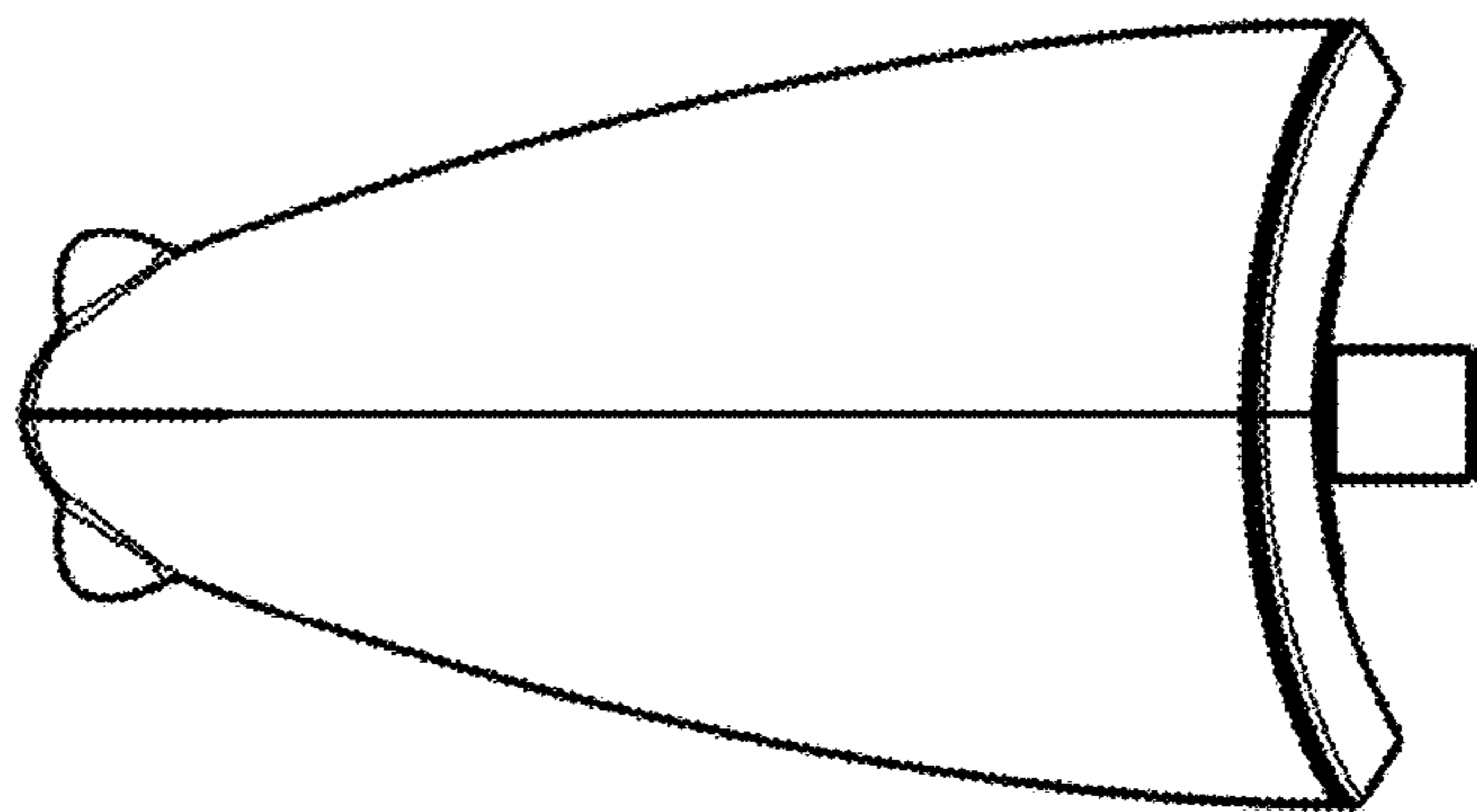


FIG. 5.

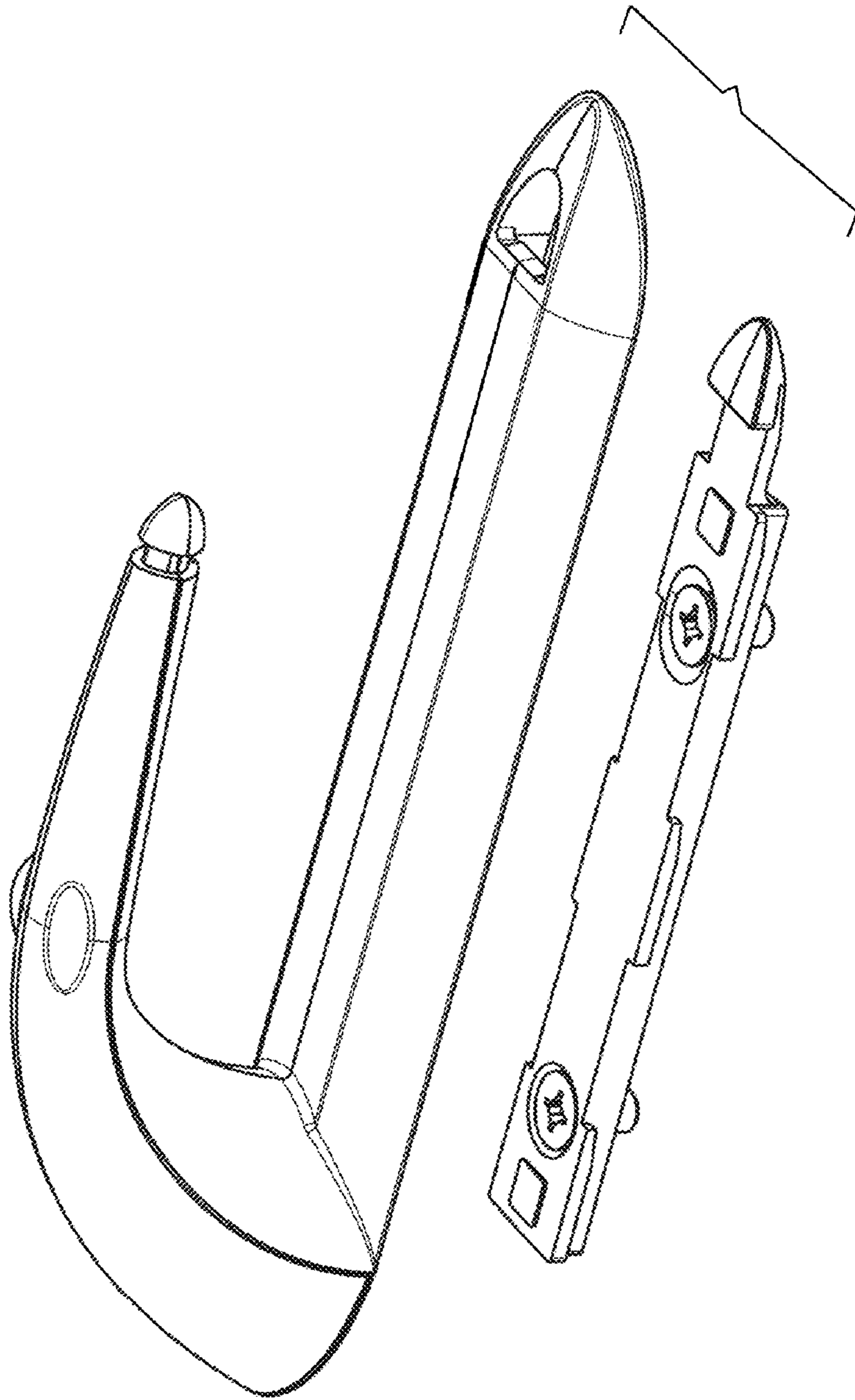


FIG. 6