



US00D652782S

(12) **United States Design Patent**  
**Sato**

(10) **Patent No.:** **US D652,782 S**  
(45) **Date of Patent:** **\*\* Jan. 24, 2012**

(54) **HOLE PLUG**

(75) Inventor: **Takehiro Sato**, Toyota (JP)

(73) Assignee: **NIFCO Inc.**, Kanagawa (JP)

(\*\*) Term: **14 Years**

(21) Appl. No.: **29/371,431**

(22) Filed: **Feb. 25, 2011**

(30) **Foreign Application Priority Data**

Sep. 3, 2010 (JP) ..... D2010-021357

(51) **LOC (9) Cl.** ..... **12-16**

(52) **U.S. Cl.** ..... **D12/400**

(58) **Field of Classification Search** ..... D12/400,  
D12/82-83, 197, 190, 406, 411; D25/52;  
40/218; D23/260

See application file for complete search history.

(56) **References Cited**

**U.S. PATENT DOCUMENTS**

D248,134 S *	6/1978	Shames et al.	.....	D23/260
D259,466 S *	6/1981	Doonan	.....	D8/499
D261,357 S *	10/1981	Doonan	.....	D8/499
4,334,632 A *	6/1982	Watanabe	.....	220/787
4,363,420 A *	12/1982	Andrews	.....	220/787
D351,220 S *	10/1994	Barnes	.....	D23/260
5,622,208 A *	4/1997	Vinson	.....	138/89
D414,694 S *	10/1999	Richter	.....	D9/439
7,347,655 B2 *	3/2008	Nagasawa et al.	.....	411/508

D613,828 S *	4/2010	Kinchen	.....	D23/260
D623,049 S *	9/2010	Zeyfang	.....	D8/397
D638,103 S *	5/2011	Roll	.....	D23/260
2004/0083593 A1 *	5/2004	Jackson et al.	.....	29/456
2004/0091335 A1 *	5/2004	Nagasawa et al.	.....	411/508
2008/0236691 A1 *	10/2008	Roll	.....	138/92
2010/0018737 A1 *	1/2010	Jackson et al.	.....	174/50

**FOREIGN PATENT DOCUMENTS**

JP	2005-170084	6/2005
JP	2010-090991	4/2010

\* cited by examiner

*Primary Examiner* — Caron D Veynar

*Assistant Examiner* — Katrina A Betton

(74) *Attorney, Agent, or Firm* — Manabu Kanesaka

(57) **CLAIM**

The ornamental design for a hole plug, as shown and described.

**DESCRIPTION**

FIG. 1 is a front view of a hole plug showing my new design; FIG. 2 is a rear view thereof; FIG. 3 is a right side view thereof; FIG. 4 is a left side view thereof; FIG. 5 is a plan view thereof; FIG. 6 is a bottom view thereof; FIG. 7 is a sectional view taken along line 7-7 in FIG. 6; and, FIG. 8 is a perspective view of the hole plug.

**1 Claim, 4 Drawing Sheets**

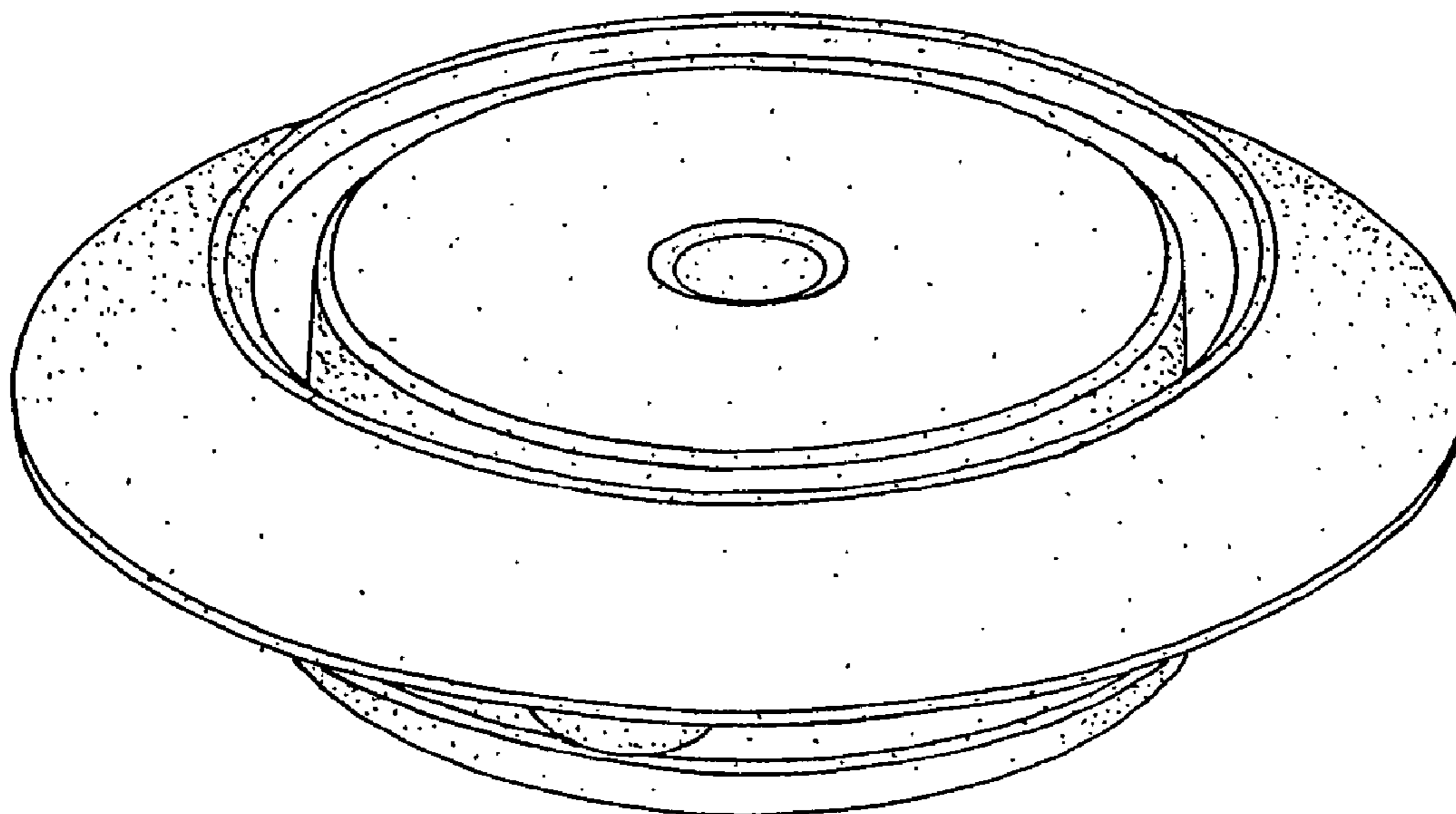


Fig. 1

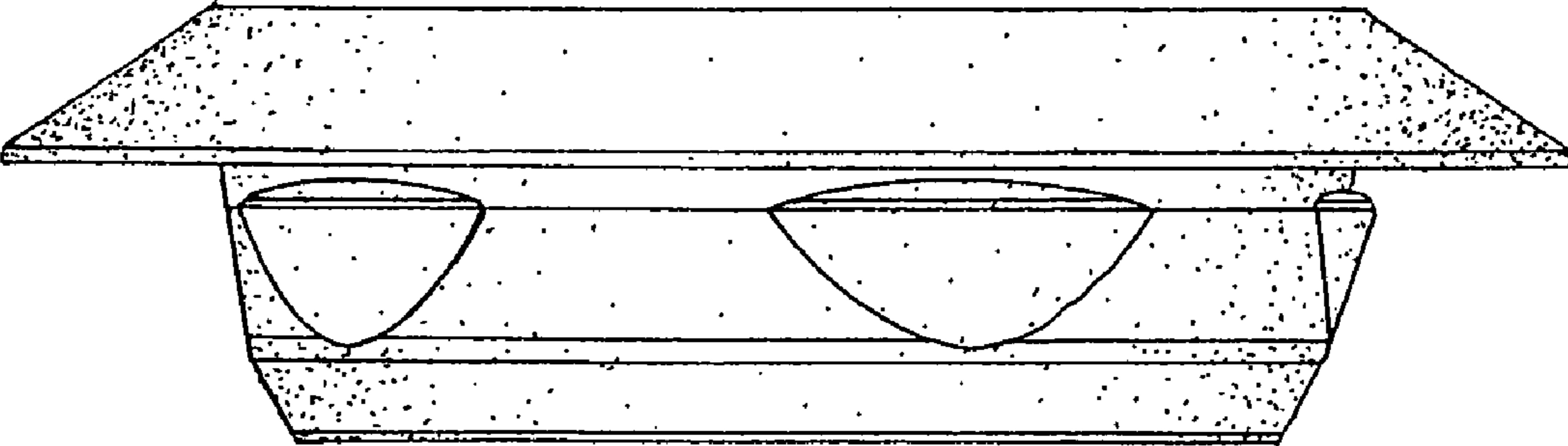


Fig. 2

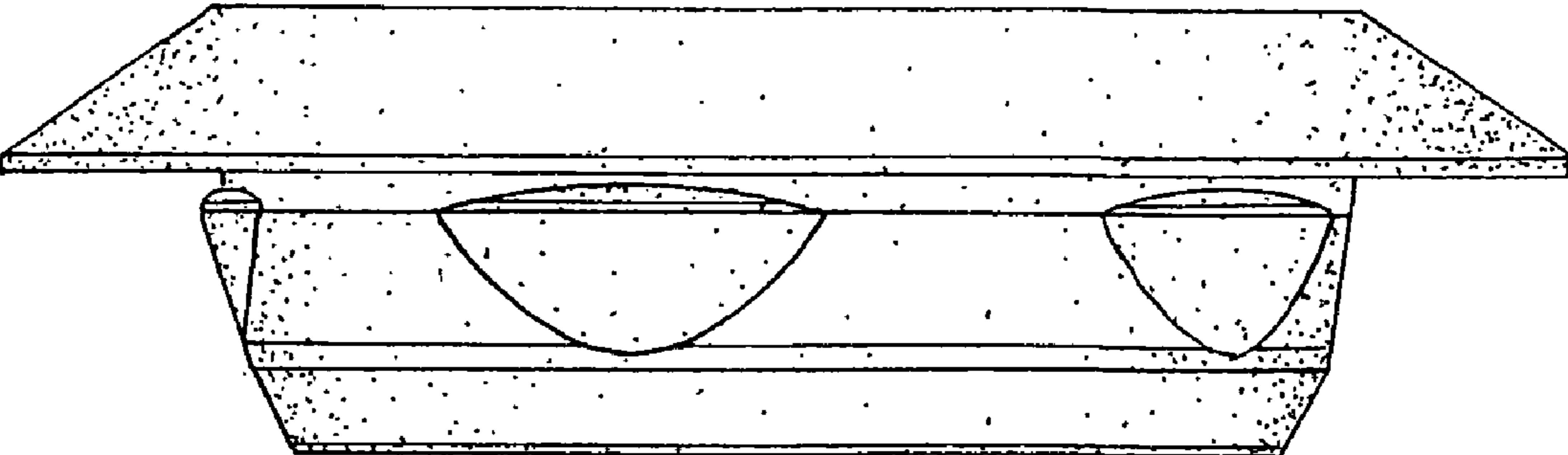


Fig. 3

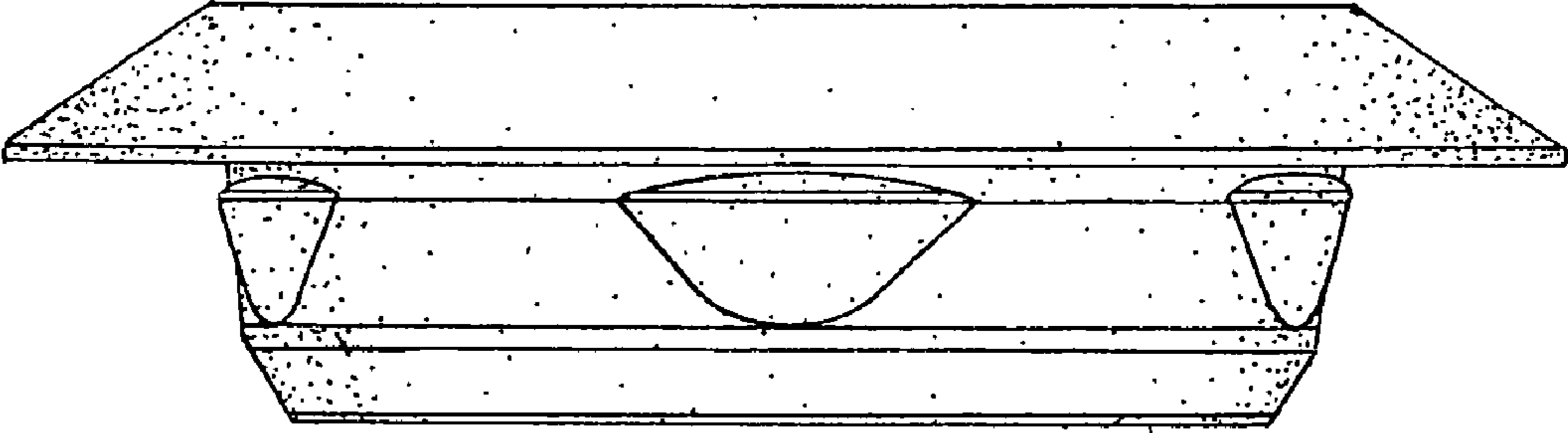


Fig. 4

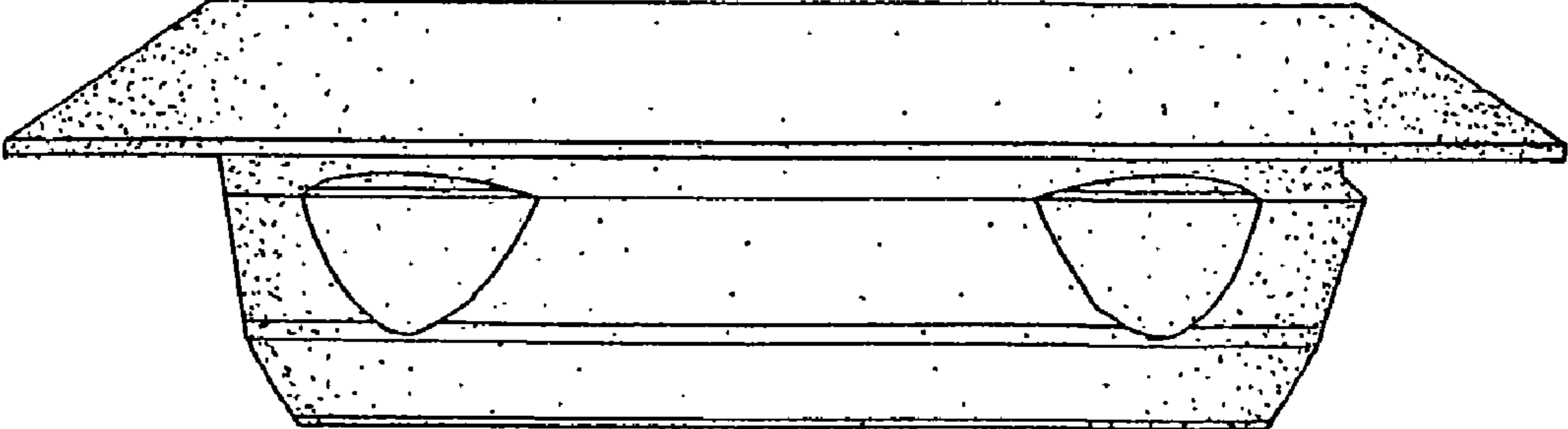


Fig. 5

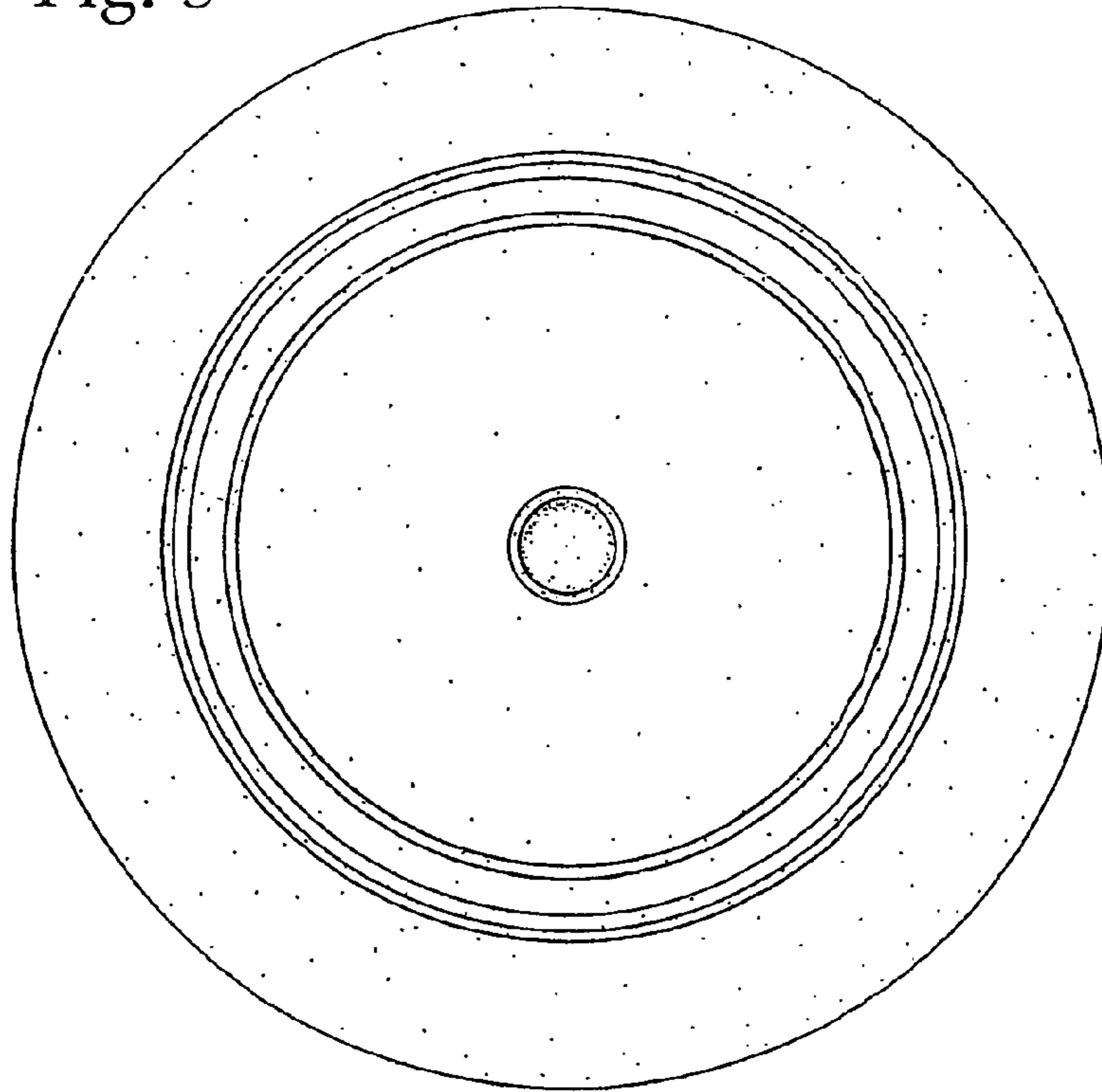


Fig. 6

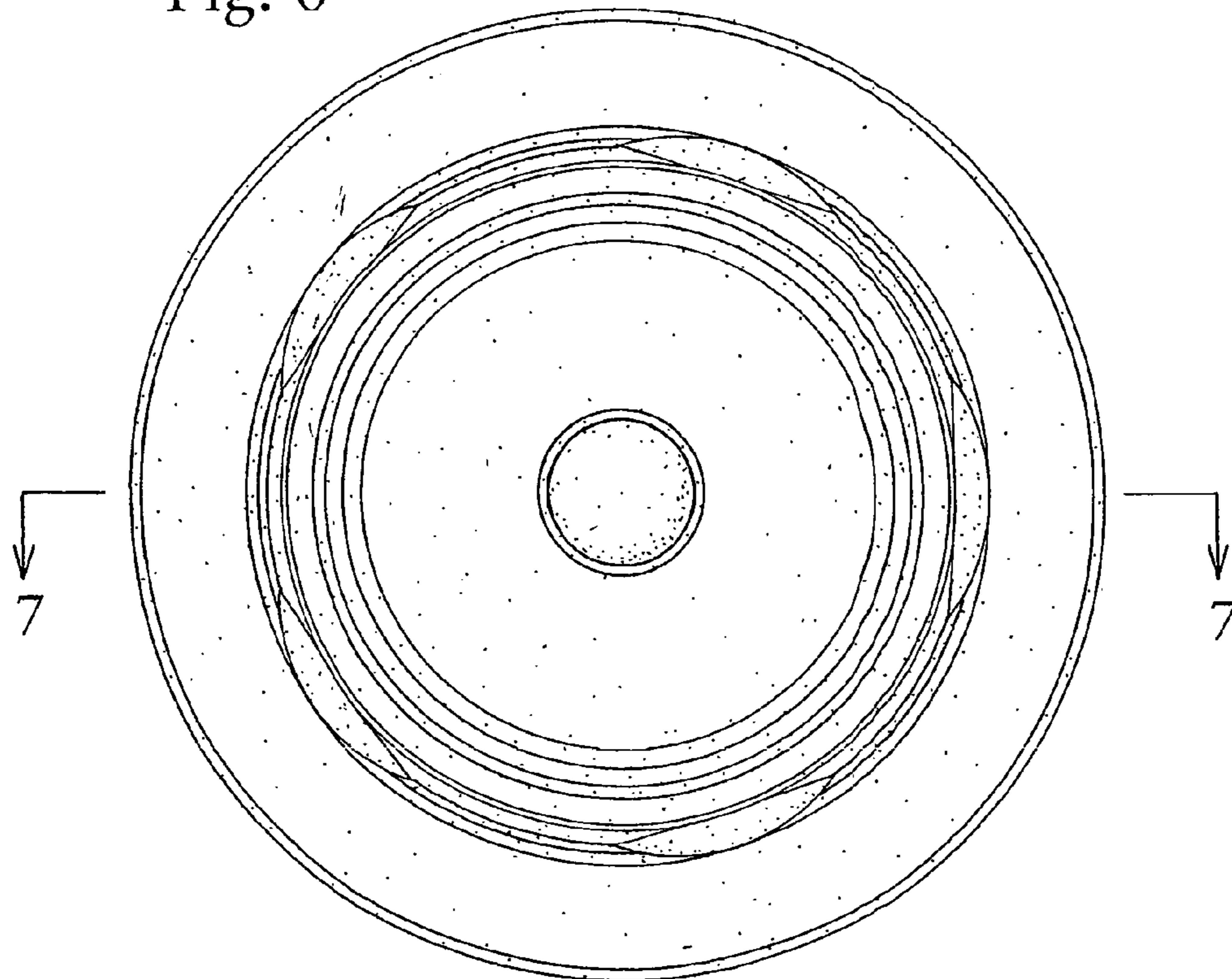


Fig. 7

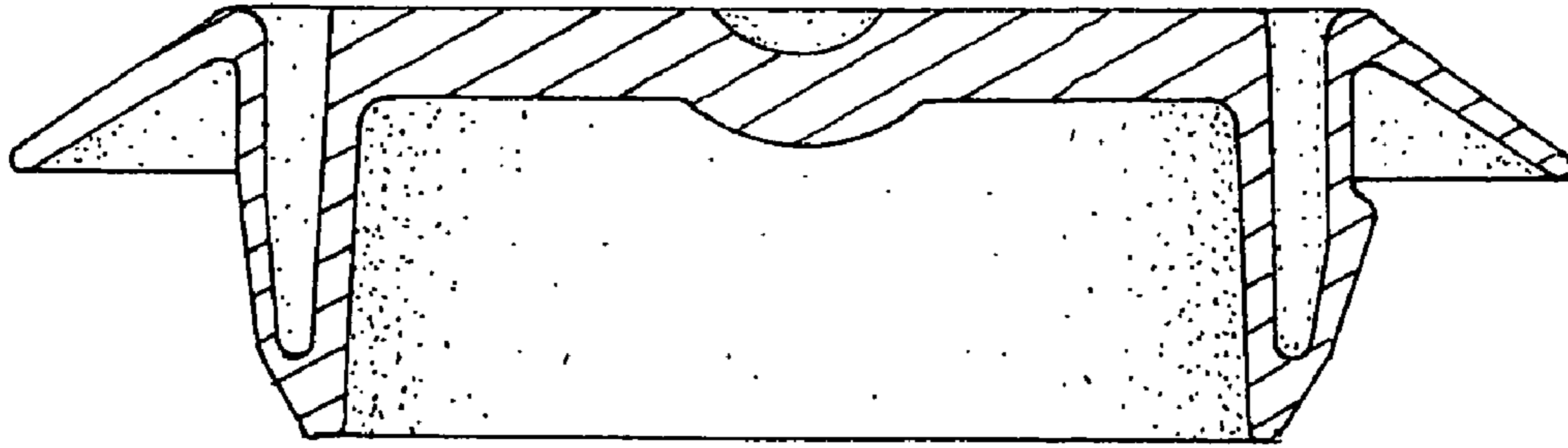


Fig. 8

