



US00D652781S

(12) **United States Design Patent**
Steckline

(10) **Patent No.:** **US D652,781 S**

(45) **Date of Patent:** **** Jan. 24, 2012**

(54) **BOAT STABILIZING SYSTEM**

(76) Inventor: **James J. Steckline**, Pasco, WA (US)

(**) Term: **14 Years**

(21) Appl. No.: **29/390,364**

(22) Filed: **Apr. 23, 2011**

(51) **LOC (9) Cl.** **12-06**

(52) **U.S. Cl.** **D12/317**

(58) **Field of Classification Search** D12/317,
D12/318; 114/39.28, 61.1, 123, 126, 230.26,
114/344, 347, 351, 364; 440/42, 51, 66
See application file for complete search history.

(56) **References Cited**

U.S. PATENT DOCUMENTS

2,509,974	A *	5/1950	Jacobs	114/126
3,827,389	A *	8/1974	Kureth	440/42
4,676,181	A *	6/1987	Oates, Jr.	114/230.26
4,862,818	A *	9/1989	Sullivan	114/126
D384,480	S *	9/1997	Patterson	D34/36
6,273,016	B1	8/2001	Gibbs		
6,659,032	B1 *	12/2003	Simon	114/123
6,928,949	B1 *	8/2005	Simon	114/347
2003/0041789	A1 *	3/2003	Hinchee	114/61.1

* cited by examiner

Primary Examiner — Cynthia M Chin

(74) *Attorney, Agent, or Firm* — QuickPatents, Inc.; Kevin Prince

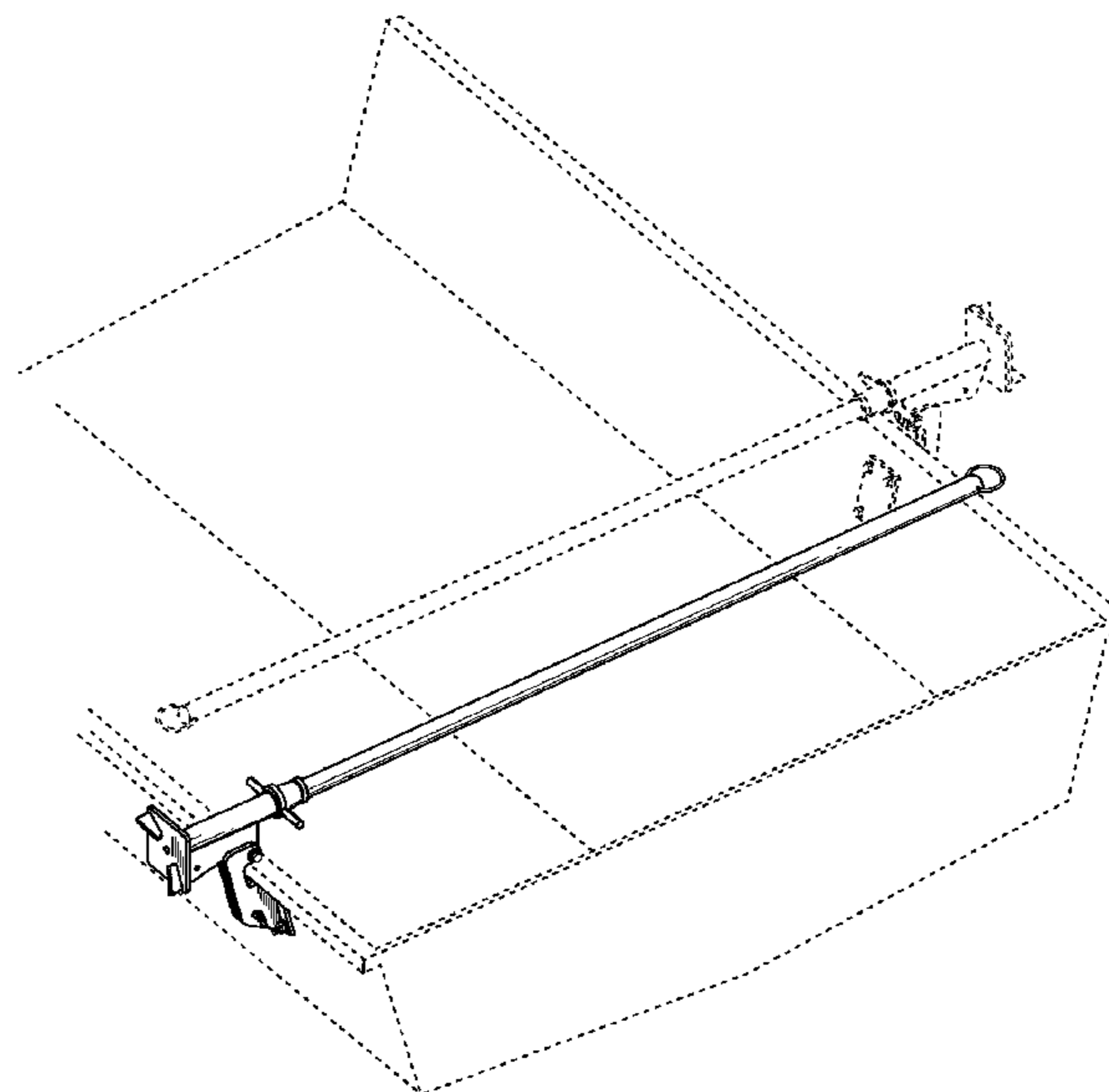
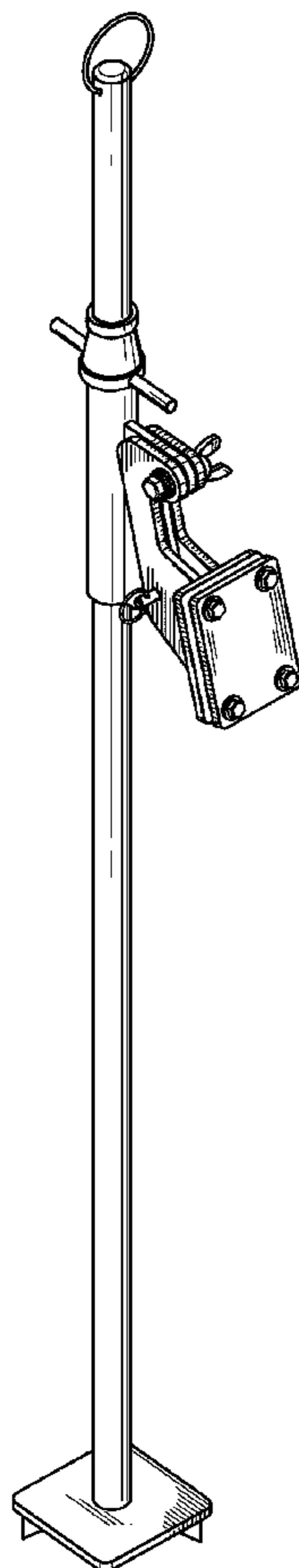
(57) **CLAIM**

I claim the ornamental design for a boat stabilizing system, as shown and described.

DESCRIPTION

FIG. 1 is a perspective view of a water system, showing my new design in a deployed position;
 FIG. 2 is a front elevational view thereof;
 FIG. 3 is a rear elevational view thereof;
 FIG. 4 is a right-side elevational view thereof;
 FIG. 5 is a left-side elevational view thereof;
 FIG. 6 is a top plan view thereof;
 FIG. 7 is a bottom plan view thereof;
 FIG. 8 is a perspective view thereof, illustrated in a stowed position; and,
 FIG. 9 is a rear elevational view of FIG. 8.
 The broken lines showing a boat and another boat stabilizing system in FIGS. 8 and 9 depict environmental matter and form no part of the claimed design.

1 Claim, 3 Drawing Sheets



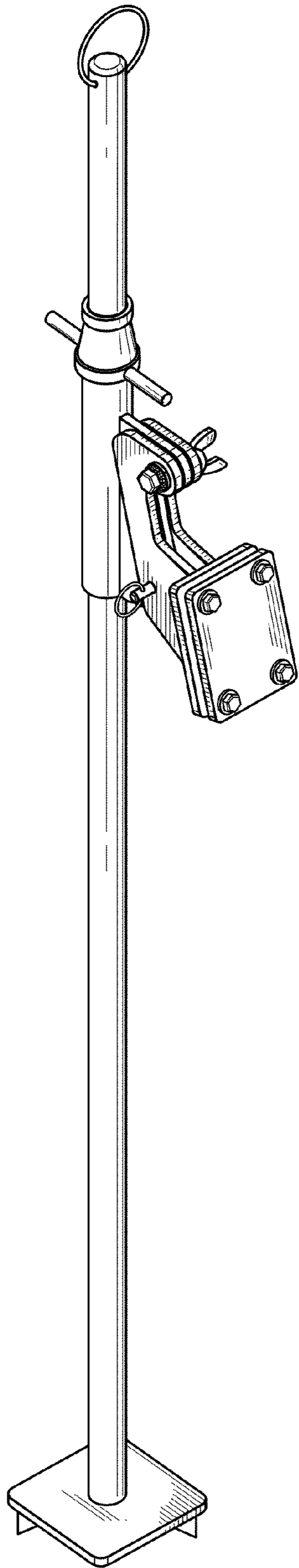


FIG. 1

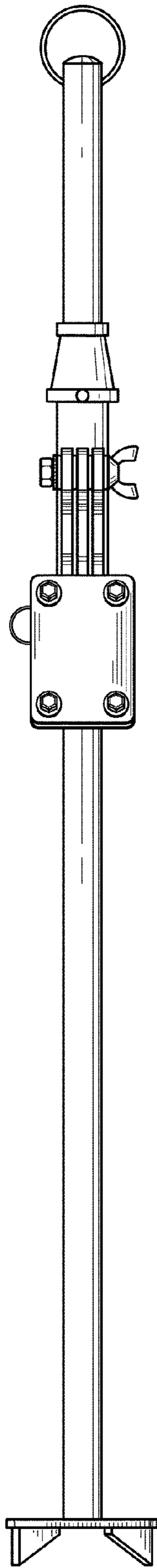


FIG. 2

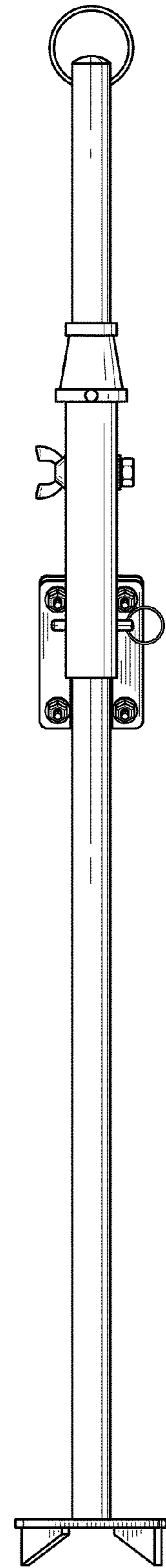


FIG. 3

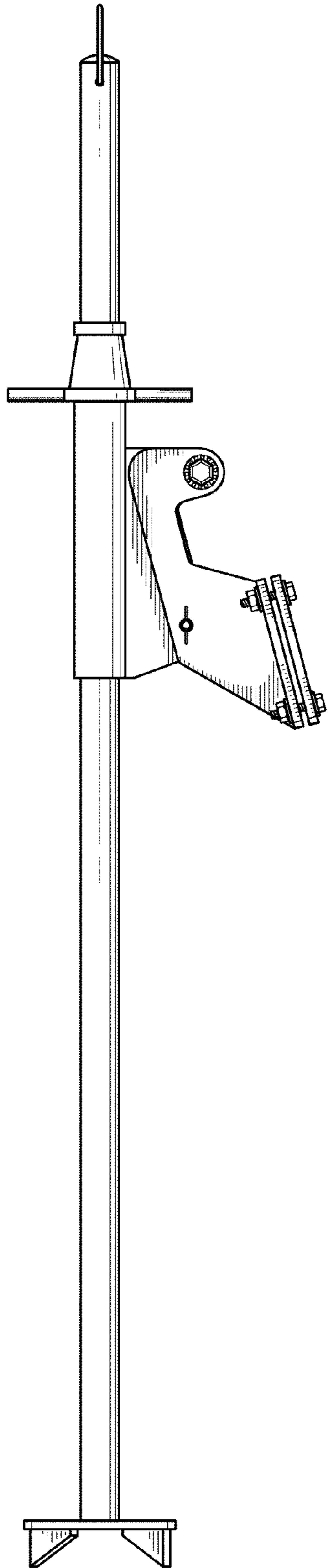


FIG. 4

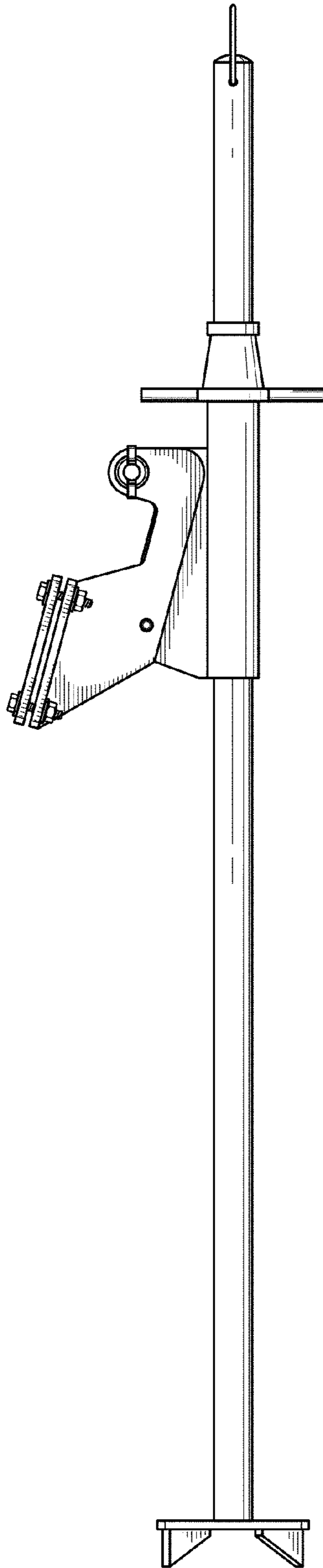


FIG. 5

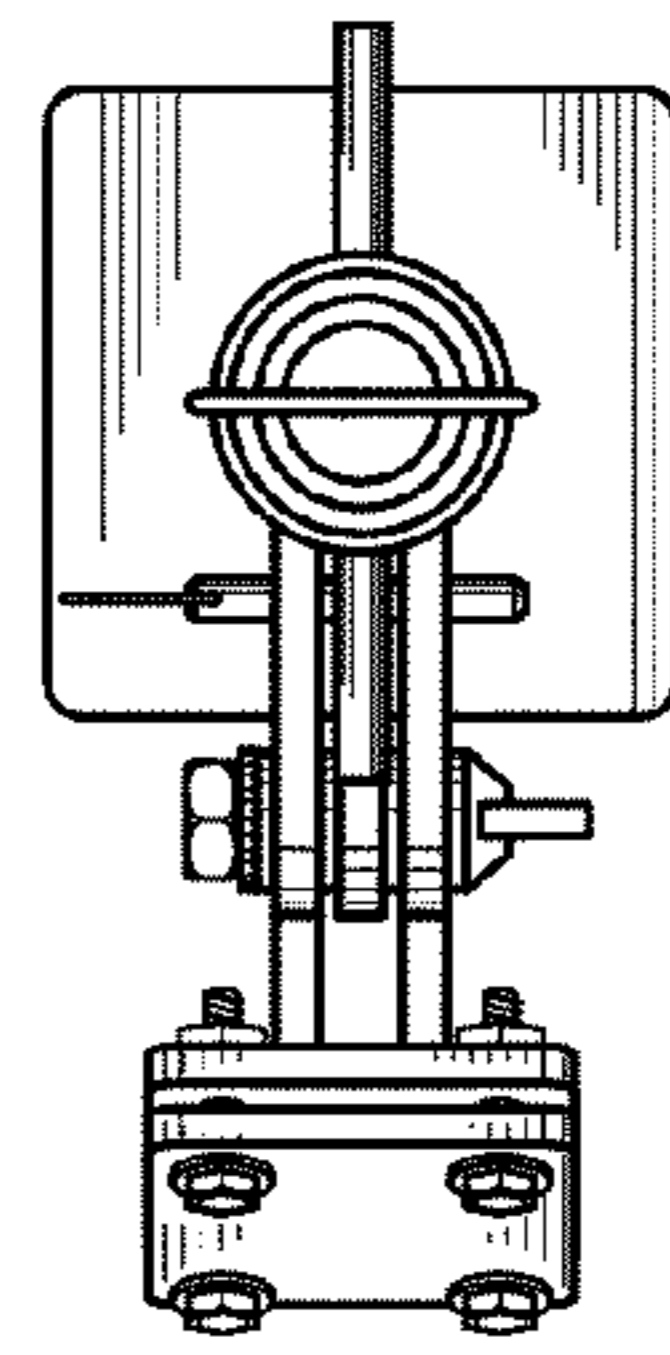


FIG. 6

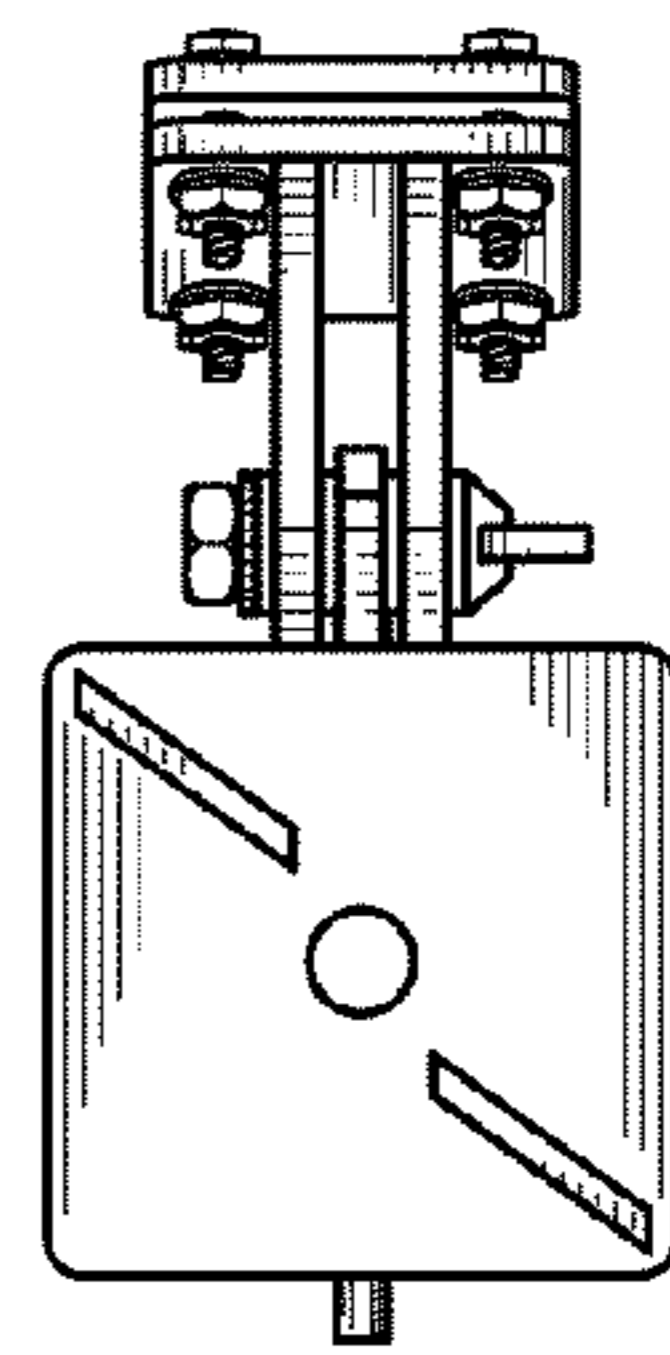


FIG. 7

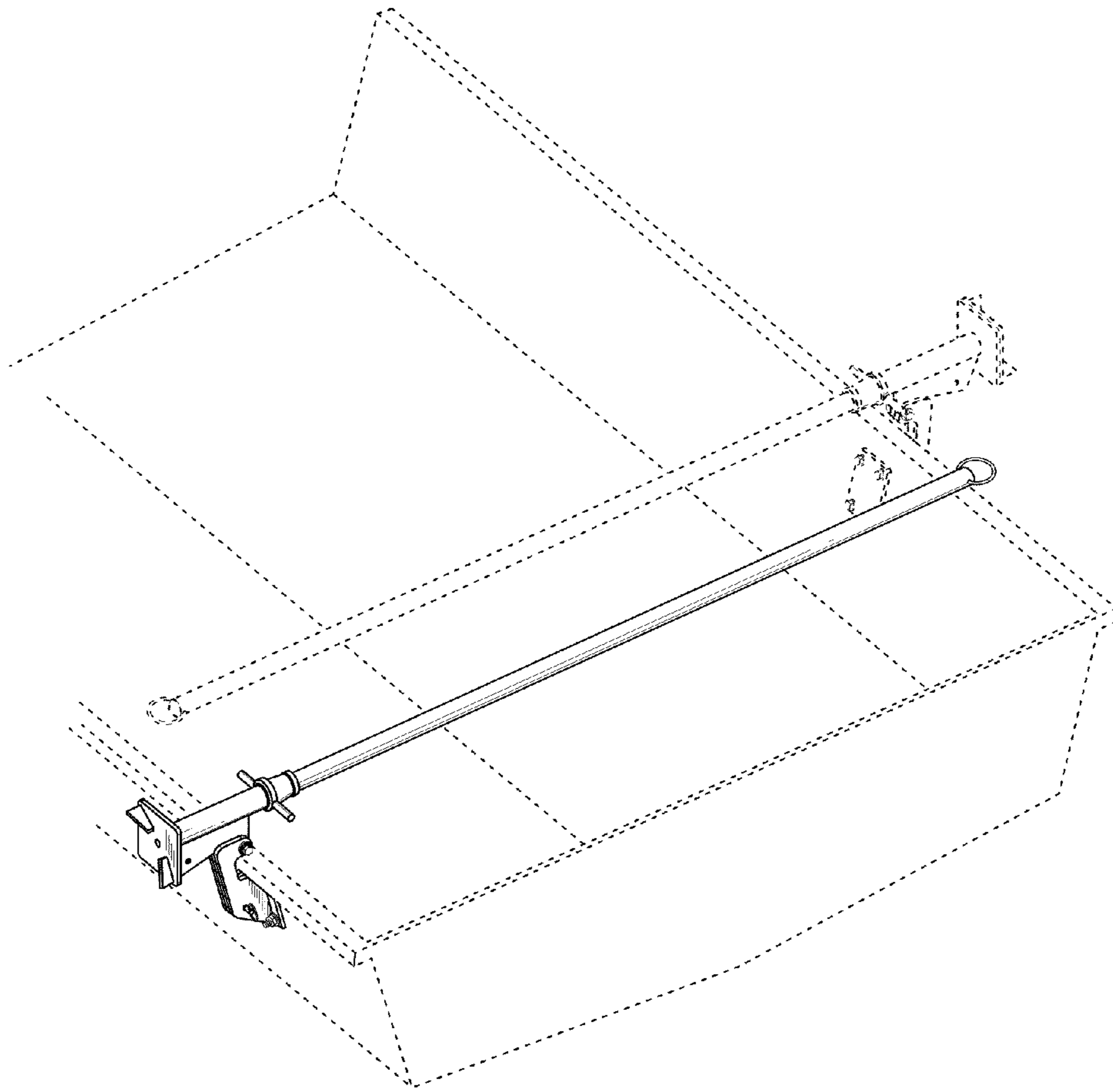


FIG. 8

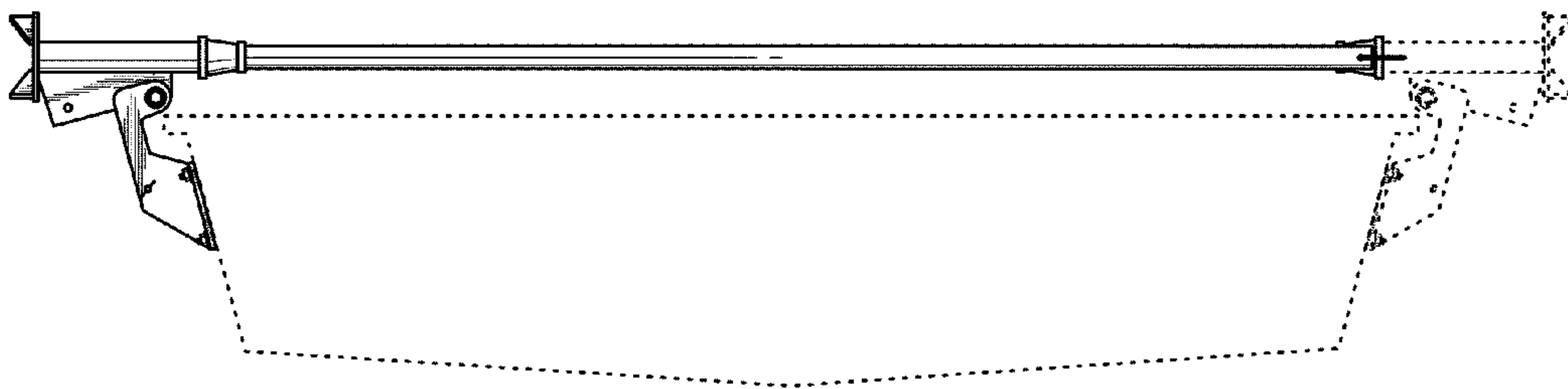


FIG. 9