



US00D652775S

(12) **United States Design Patent**
Spera

(10) **Patent No.:** **US D652,775 S**
(45) **Date of Patent:** **** Jan. 24, 2012**

(54) **TRAILER OPEN RECEIVER HITCH STEP**

(76) Inventor: **Michael Spera**, Golden, CO (US)

(**) Term: **14 Years**

(21) Appl. No.: **29/314,201**

(22) Filed: **Mar. 16, 2009**

(51) **LOC (9) Cl.** **12-16**

(52) **U.S. Cl.** **D12/203**

(58) **Field of Classification Search** D12/203,
D12/162; 280/166, 491.3, 491.5, 416.1,
280/497, 163-164.1, 169, 153.5, 848; 224/519,
224/524, 497; 182/90-92; D25/68-69, 62;
428/81-82; 238/14; 187/200-202; 105/444,
105/449; 414/390, 391, 399, 537; 14/71.1,
14/71.3

See application file for complete search history.

(56) **References Cited**

U.S. PATENT DOCUMENTS

3,980,319	A *	9/1976	Kirkpatrick	280/166
4,231,583	A *	11/1980	Learn	280/166
D331,899	S *	12/1992	Brisson	D12/162
D354,263	S *	1/1995	Clark et al.	D12/162
D355,878	S *	2/1995	Jenkins et al.	D12/162
D372,001	S *	7/1996	Alford	D12/104
D374,645	S *	10/1996	Hanson et al.	D12/162
D382,526	S *	8/1997	Kass et al.	D12/162
D384,316	S *	9/1997	Freeman, Jr.	D12/162
5,716,064	A *	2/1998	Frerichs	280/166
D399,803	S *	10/1998	Hilmen	D12/162
D430,835	S *	9/2000	McCoy et al.	D12/162

6,170,843	B1 *	1/2001	Maxwell et al.	280/166
6,439,589	B1 *	8/2002	Payne	280/163
D487,237	S *	3/2004	Newport	D12/162
7,100,928	B1 *	9/2006	VanValkenburgh	280/164.1
D559,164	S *	1/2008	Spera	D12/203
7,390,003	B1 *	6/2008	Sylvia	280/166
7,661,693	B1 *	2/2010	Lipski	280/491.5
7,766,357	B2 *	8/2010	Arvanites	280/166
7,775,536	B2 *	8/2010	Shumway	280/164.1
7,954,836	B2 *	6/2011	Mann	280/163
7,967,311	B2 *	6/2011	Phillips	280/166
2008/0011797	A1 *	1/2008	Newbill	224/502
2010/0294819	A1 *	11/2010	Spera	224/519

* cited by examiner

Primary Examiner — Caron D Veynar

Assistant Examiner — Katrina A Betton

(74) *Attorney, Agent, or Firm* — Scott L. Terrell, P.C.; Scott L. Terrell

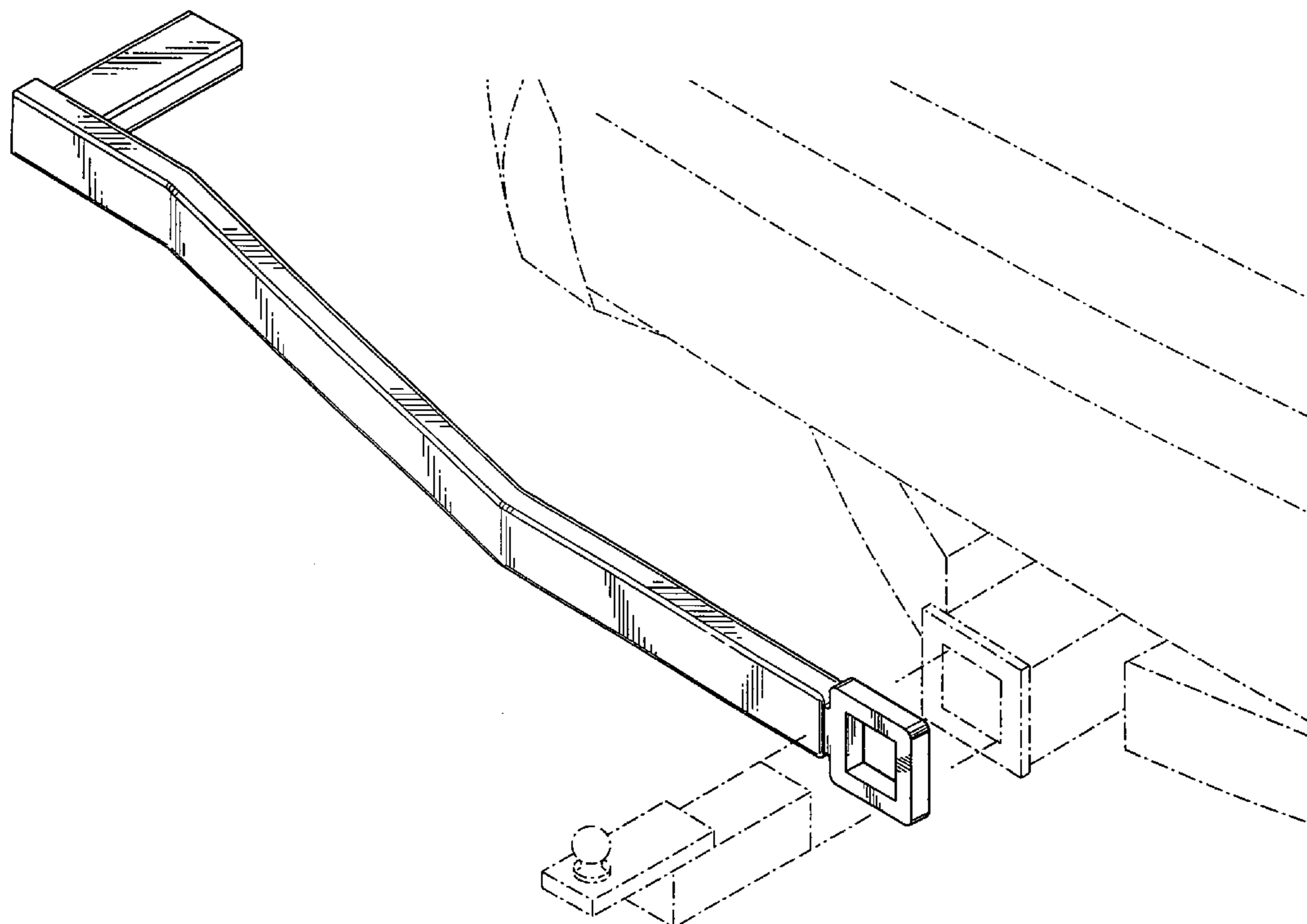
(57) **CLAIM**

The ornamental design for an open receiver trailer hitch step as shown, and described.

DESCRIPTION

FIG. 1 is a front view of the trailer hitch step.
FIG. 2 is a back view of the trailer hitch step.
FIG. 3 is a left side view of the trailer hitch step.
FIG. 4 is a right side view of the trailer hitch step.
FIG. 5 is a top view of the trailer hitch step.
FIG. 6 is a bottom view of the trailer hitch step; and,
FIG. 7 is a perspective view of the trailer hitch step from the right corner.

1 Claim, 3 Drawing Sheets



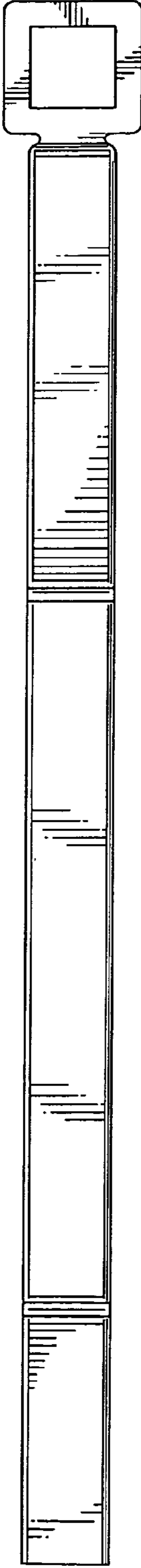


FIG.1

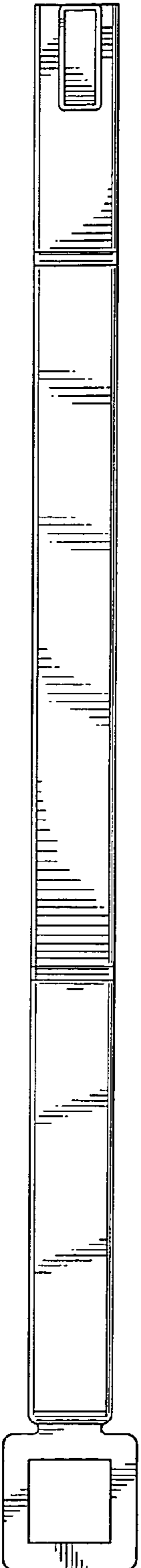


FIG.2

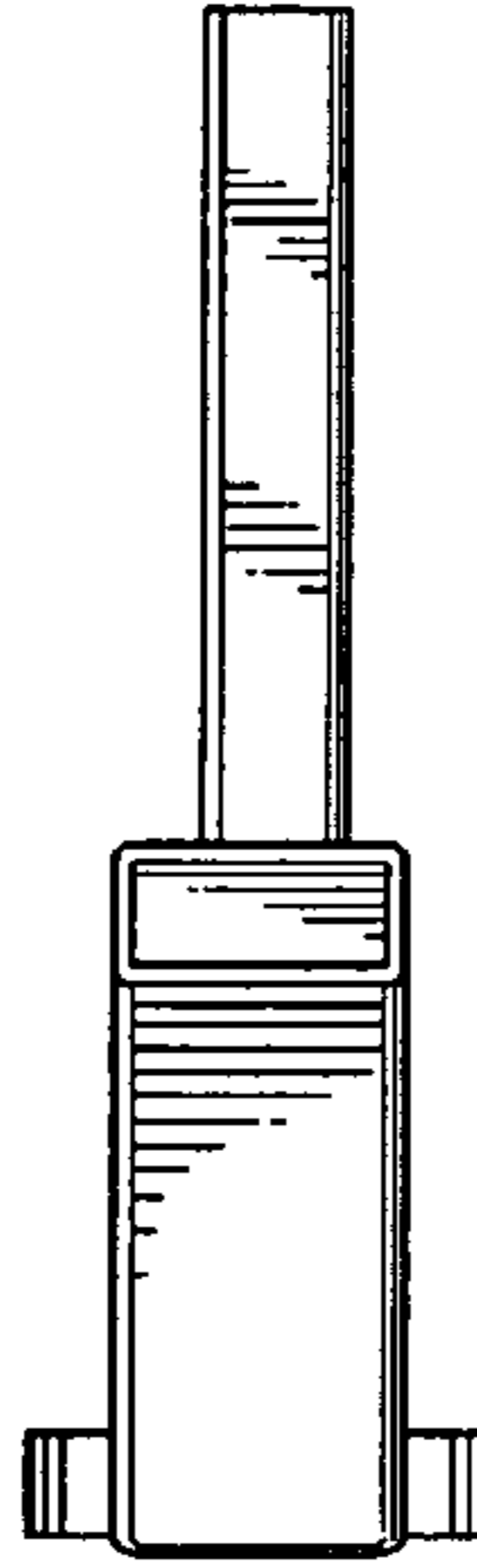


FIG.4

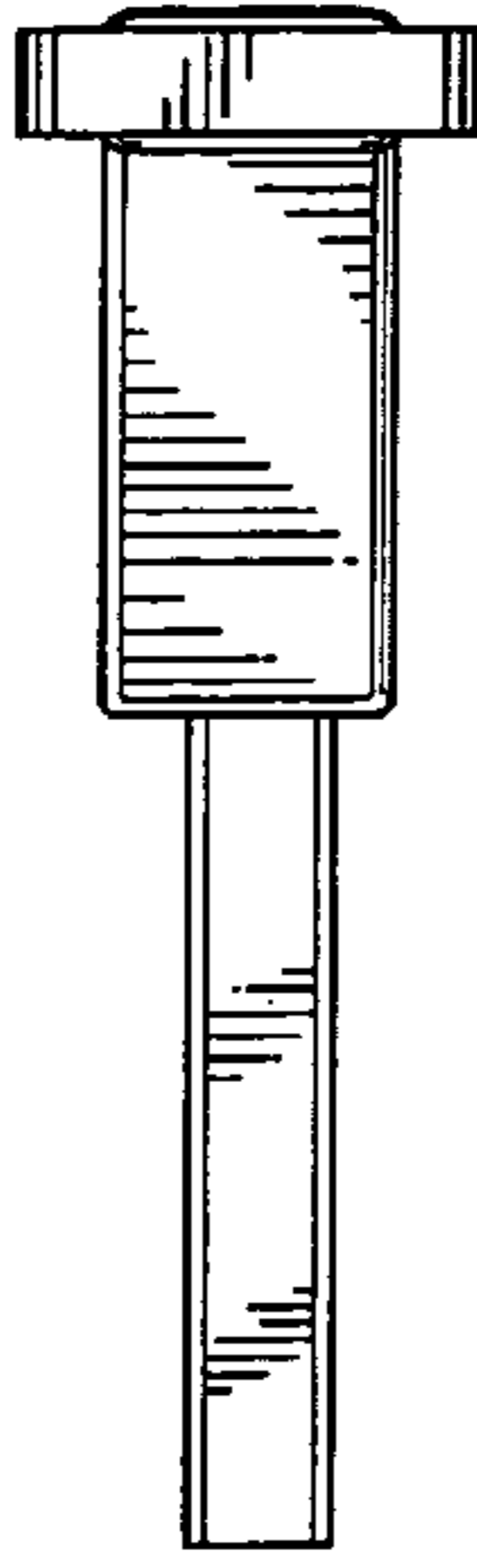


FIG.3

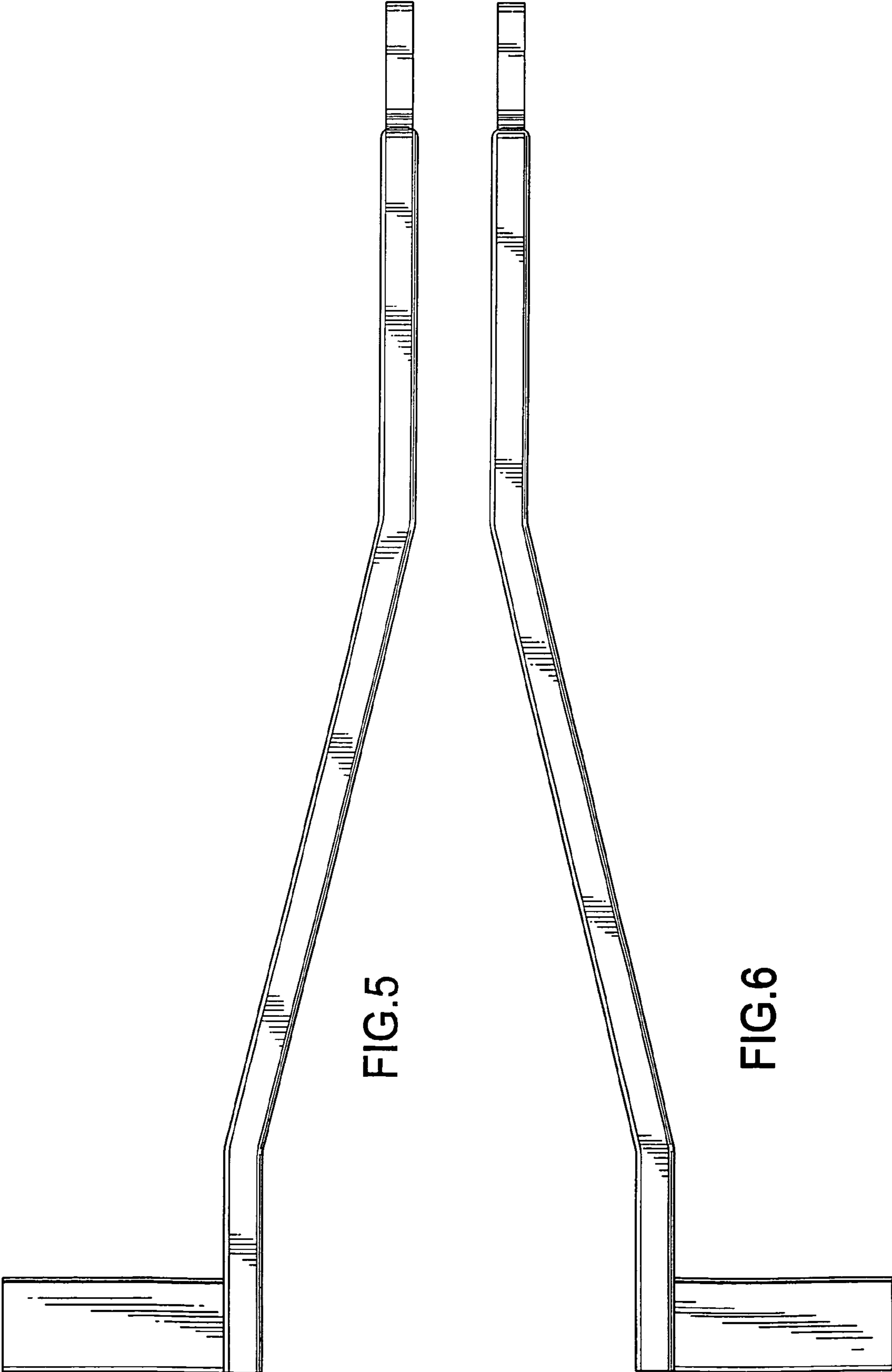


FIG.5

FIG.6

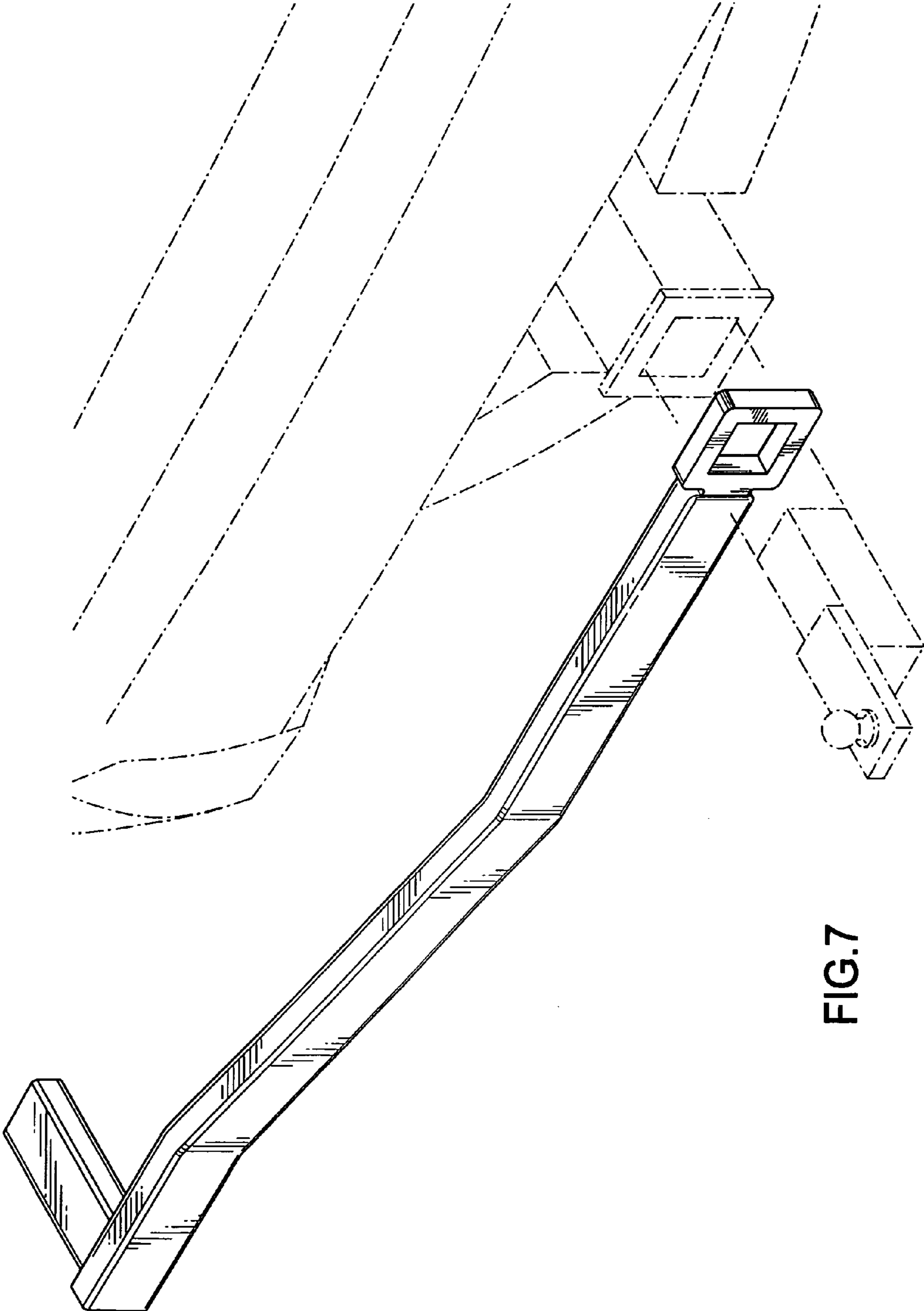


FIG. 7