

US00D652774S

(12) **United States Design Patent**  
**Aris et al.**

(10) **Patent No.:** **US D652,774 S**  
(45) **Date of Patent:** **\*\* Jan. 24, 2012**

(54) **SKIRT OF A TRUCK VEHICLE**

(56)

**References Cited**

(75) Inventors: **Steve Charles Aris**, Ann Arbor, MI (US); **Glen Joel Durmisevich**, Rochester Hills, MI (US); **Christopher Lee Koonce**, Albion, IN (US); **George McCowan**, Fort Wayne, IN (US); **John Song**, Ypsilanti, MI (US); **Rachele Barbara Cocks**, Columbia City, IN (US); **Mark Douglas Oberly**, Muncie, IN (US); **Ron Schoon**, Littleton, CO (US)

U.S. PATENT DOCUMENTS

D522,944	S	*	6/2006	Beigel et al.	.....	D12/196
D522,945	S	*	6/2006	Beigel et al.	.....	D12/196
D579,843	S	*	11/2008	Beigel et al.	.....	D12/196
D593,466	S	*	6/2009	Williams et al.	.....	D12/184
D597,005	S	*	7/2009	Golden et al.	.....	D12/184
D597,006	S	*	7/2009	Golden et al.	.....	D12/184

\* cited by examiner

*Primary Examiner* — Melody N Brown

(74) *Attorney, Agent, or Firm* — Jeffrey P. Calfa; Mark C. Bach; Gerald W. Askew

(73) Assignee: **International Truck Intellectual Property Company, LLC**, Warrenville, IL (US)

(57) **CLAIM**

The ornamental design for a skirt of a truck vehicle, as shown and described.

(\*\*) Term: **14 Years**

**DESCRIPTION**

(21) Appl. No.: **29/367,773**

(22) Filed: **Aug. 12, 2010**

(51) **LOC (9) Cl.** ..... **12-16**

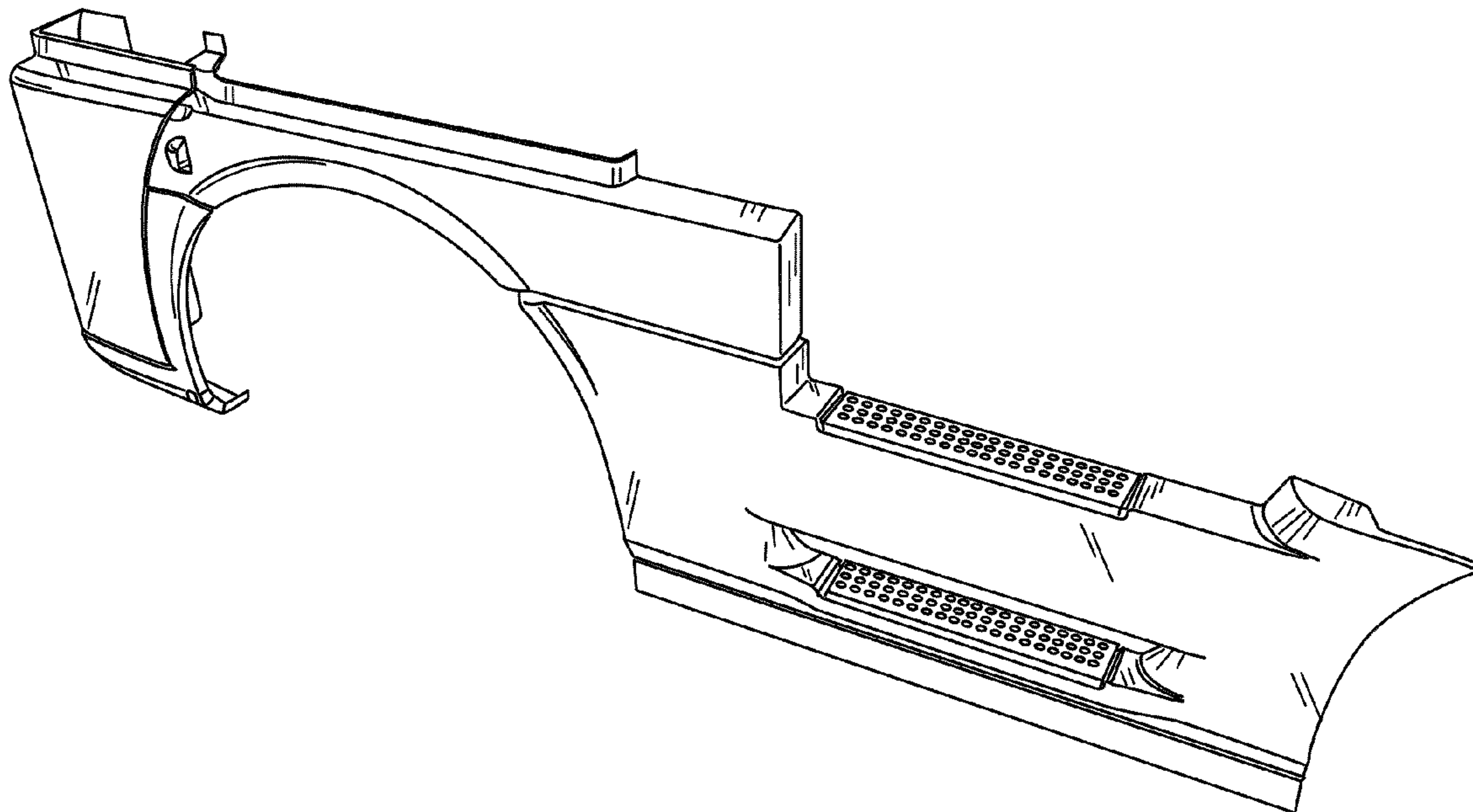
(52) **U.S. Cl.** ..... **D12/196; D12/184**

(58) **Field of Classification Search** ..... D12/184, D12/196, 90-92, 181, 96; 280/152.1, 847-849, 280/851; 296/181.1, 181.5, 183.1

FIG. 1 is a left, front perspective view of a skirt of a truck vehicle showing our new design; FIG. 2 is a right side elevation view thereof; FIG. 3 is a front elevation view thereof; and, FIG. 4 is a top plan view thereof.

See application file for complete search history.

**1 Claim, 4 Drawing Sheets**



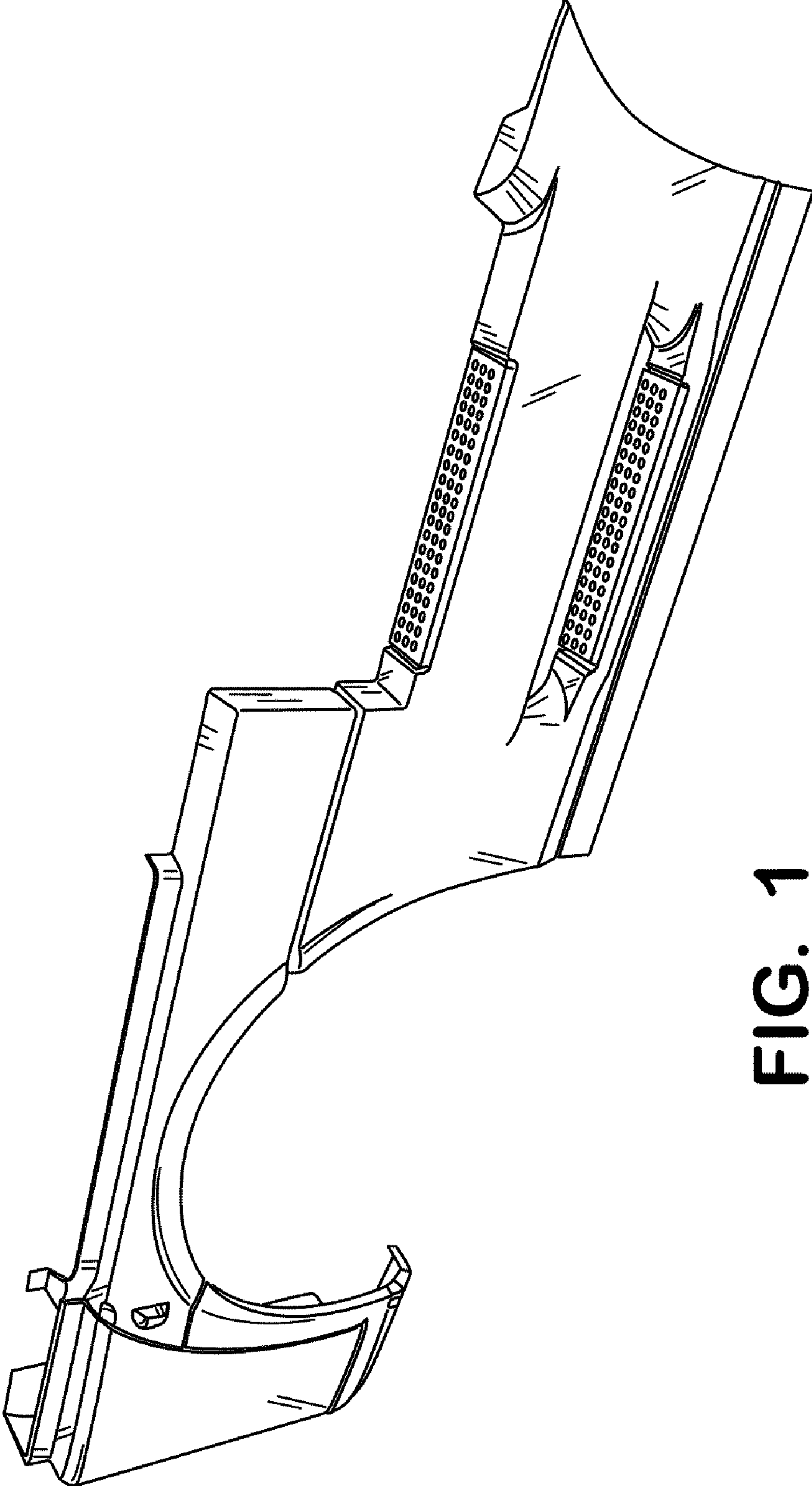
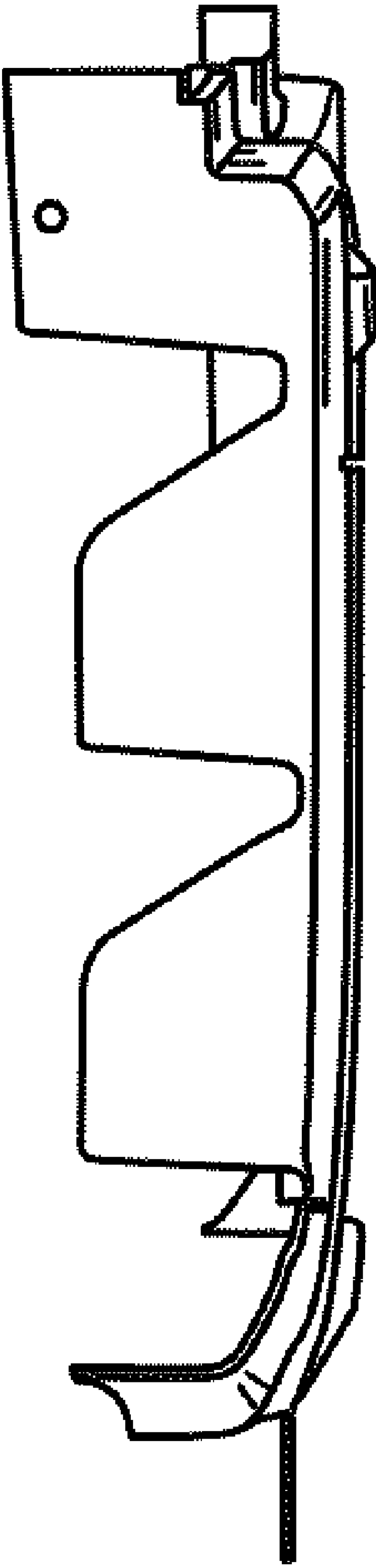


FIG. 1



**FIG. 2**

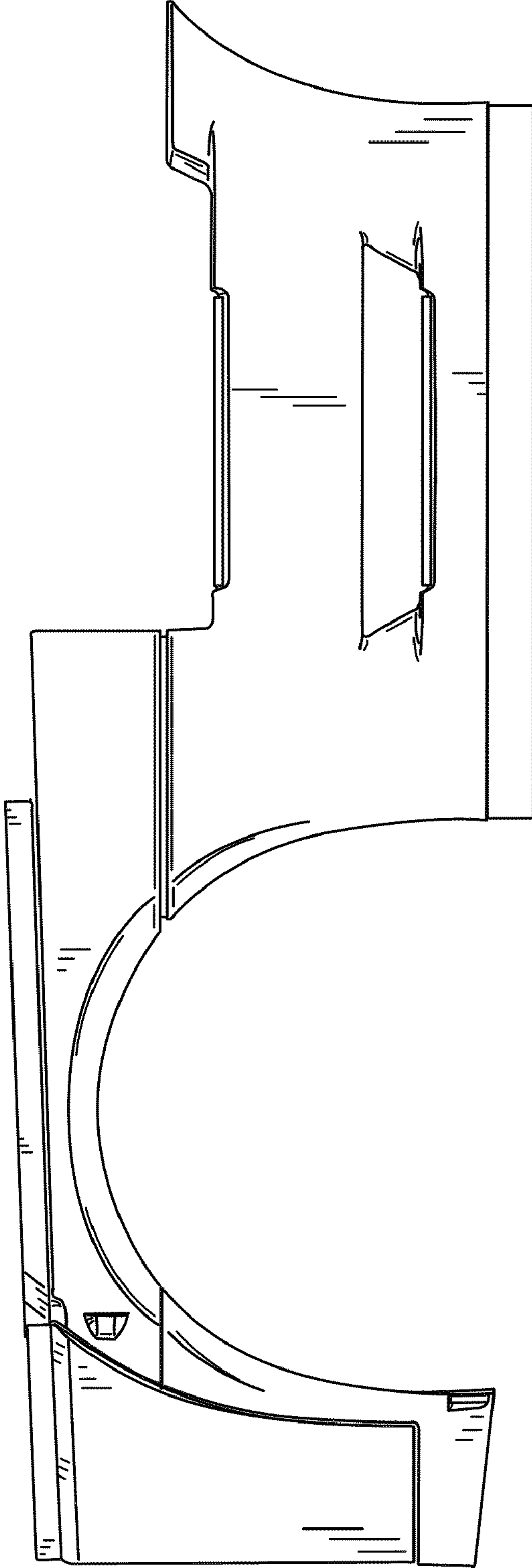


FIG. 3

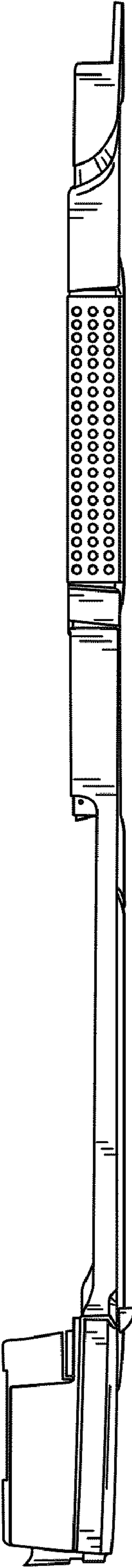


FIG. 4