



US00D652772S

(12) **United States Design Patent**
Ishikawa et al.

(10) **Patent No.:** **US D652,772 S**

(45) **Date of Patent:** **** Jan. 24, 2012**

(54) **FRONT TOP COVER FOR MOTOR SCOOTER**

(75) Inventors: **Takehiro Ishikawa**, Saitama-ken (JP);
Kenji Shimizu, Saitama-ken (JP)

(73) Assignee: **Honda Motor Co., Ltd.**, Tokyo (JP)

(**) Term: **14 Years**

(21) Appl. No.: **29/385,988**

(22) Filed: **Feb. 23, 2011**

(30) **Foreign Application Priority Data**

Aug. 23, 2010 (JP) 2010-020347

(51) **LOC (9) Cl.** **12-11**

(52) **U.S. Cl.** **D12/186**

(58) **Field of Classification Search** D12/182,
D12/184, 186, 110, 114, 126; 180/219, 220,
180/68.1; 296/77.1, 78.1, 180.1, 192, 193.01,
296/193.09; 280/152.1, 152.3, 847, 848,
280/852, 770, 288.4

See application file for complete search history.

(56) **References Cited**

U.S. PATENT DOCUMENTS

D538,212 S * 3/2007 Shimada et al. D12/182
D583,737 S * 12/2008 Kitayama et al. D12/186
D602,813 S * 10/2009 Chao et al. D12/110
D644,961 S * 9/2011 Watanabe et al. D12/110

* cited by examiner

Primary Examiner — Susan M Lee

Assistant Examiner — Linda G. Brooks

(74) *Attorney, Agent, or Firm* — Westerman, Hattori,
Daniels & Adrian, LLP

(57) **CLAIM**

The ornamental design for a front top cover for motor scooter,
as shown and described.

DESCRIPTION

FIG. 1 is a perspective view from the front side of a front top cover for motor scooter.

FIG. 2 is a perspective view from the front side thereof.

FIG. 3 is a perspective view from the rear side thereof.

FIG. 4 is a perspective view from the rear side thereof.

FIG. 5 is a front elevation view thereof.

FIG. 6 is a rear elevation view thereof.

FIG. 7 is a left side elevation view thereof.

FIG. 8 is a right side elevation view thereof.

FIG. 9 is a top plan view thereof.

FIG. 10 is a bottom plan view thereof; and,

FIG. 11 is a referential view showing use thereof.

The portions of the front top cover for motor scooter shown in broken lines are for the purpose of showing environmental structure only and form no part of the claimed design.

1 Claim, 11 Drawing Sheets

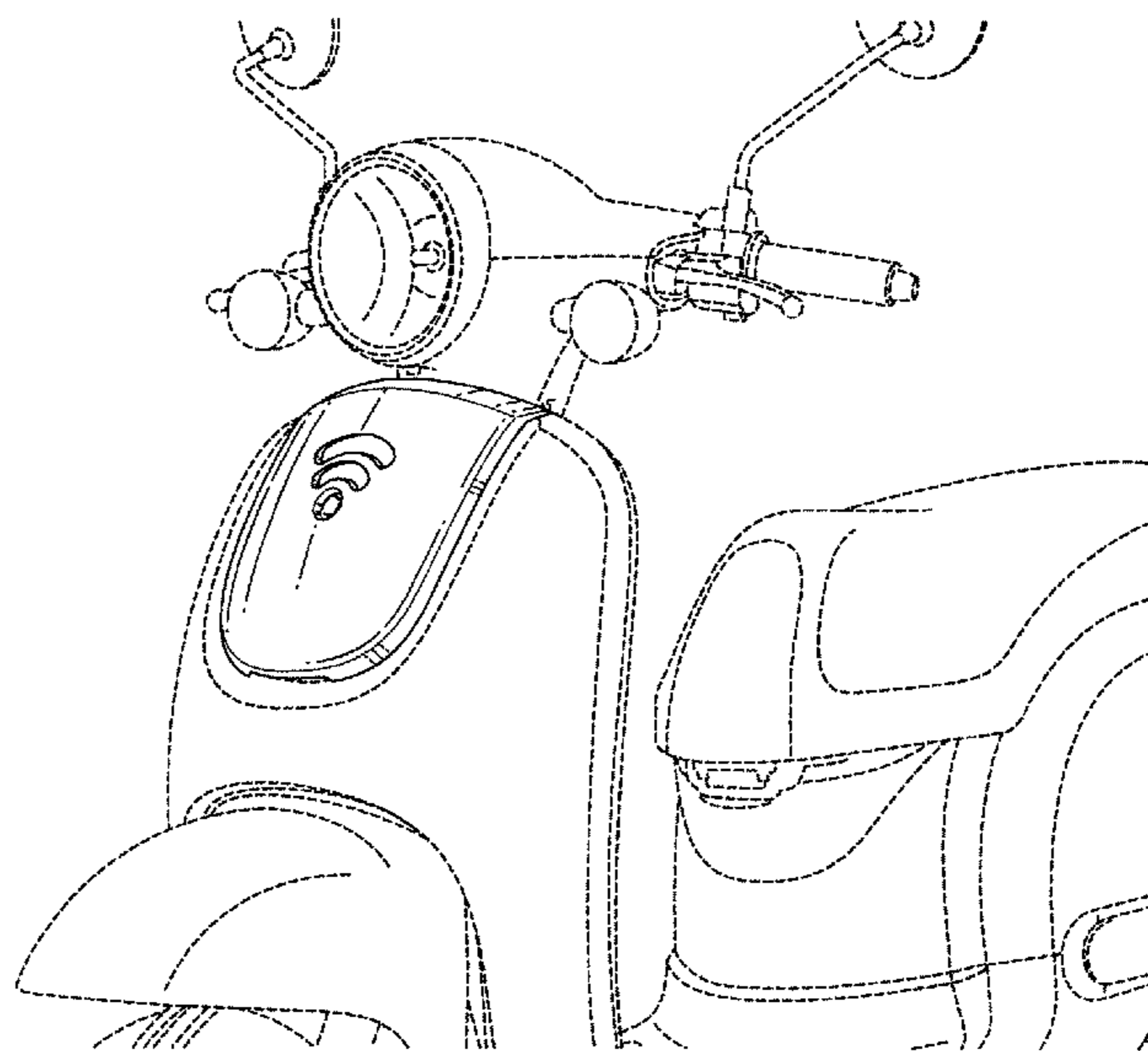
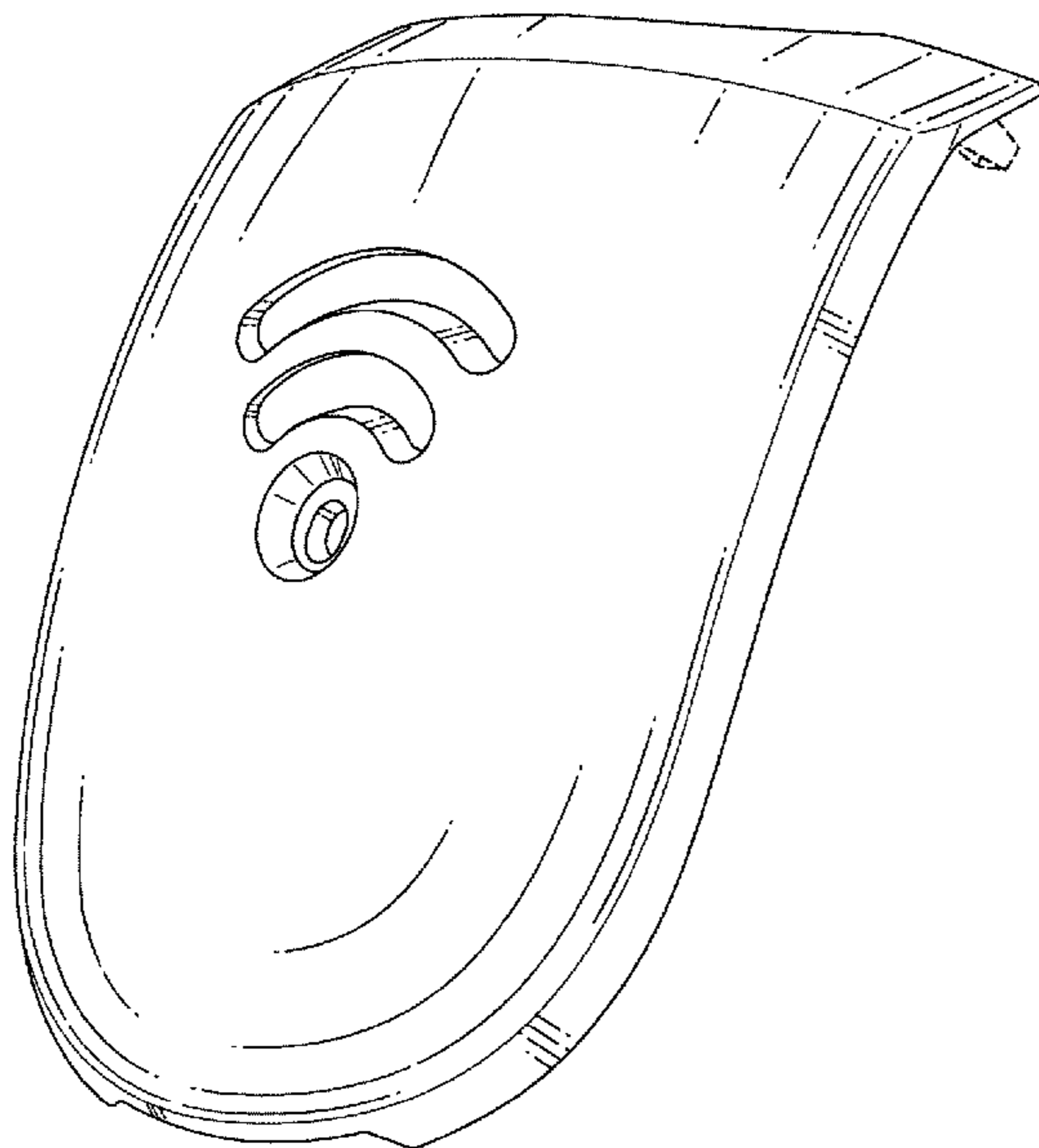


FIG. 1

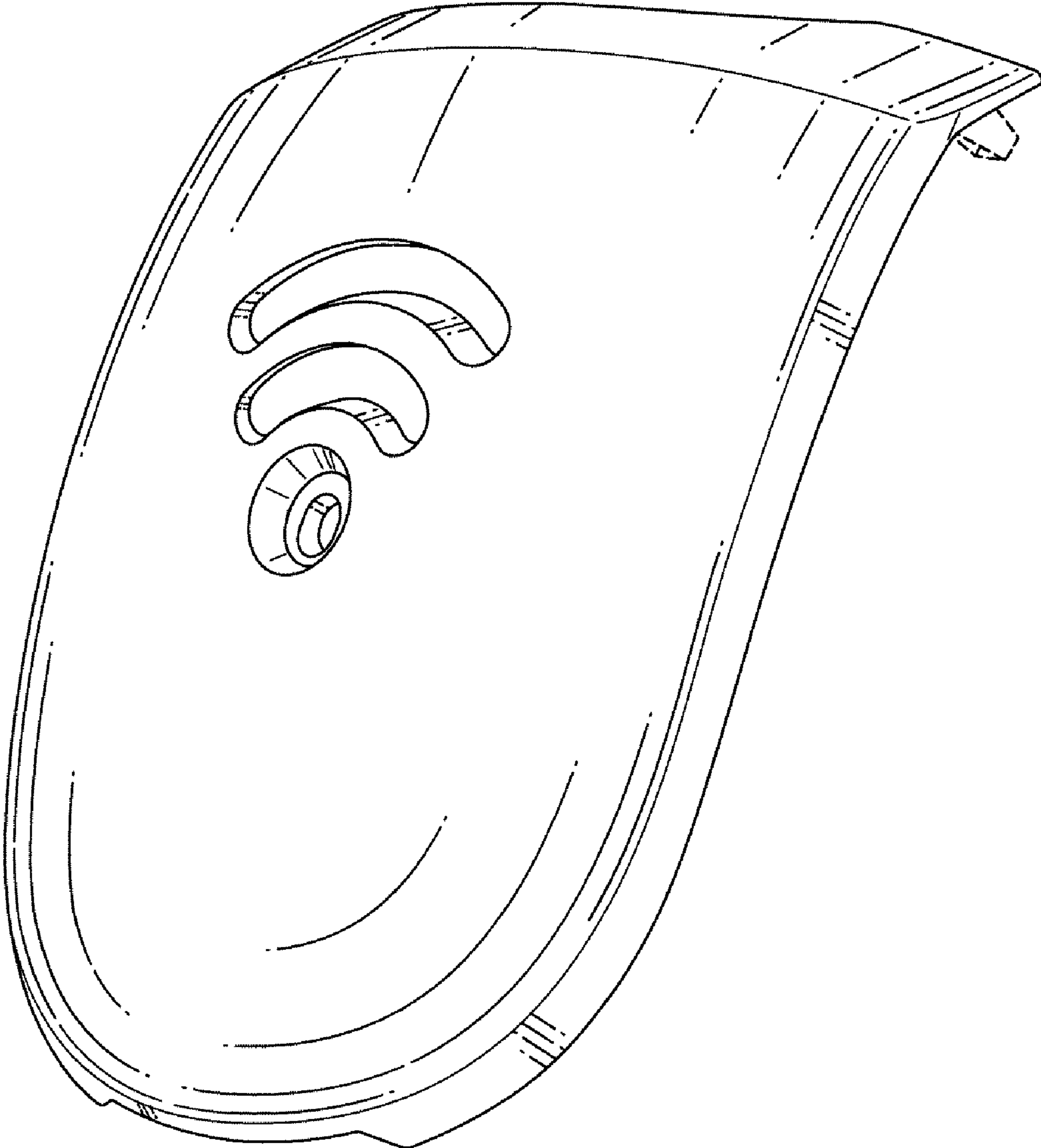


FIG. 2

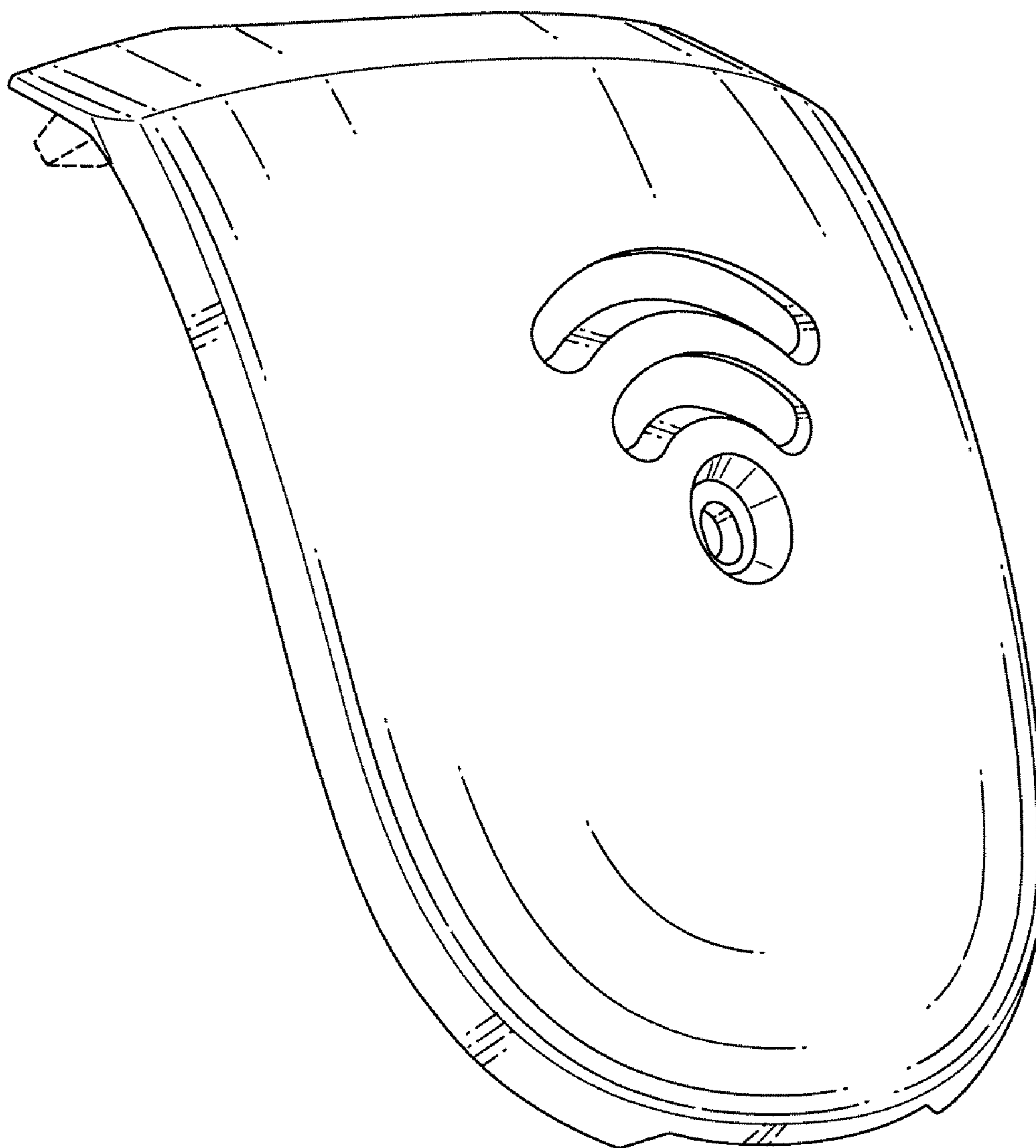


FIG. 3

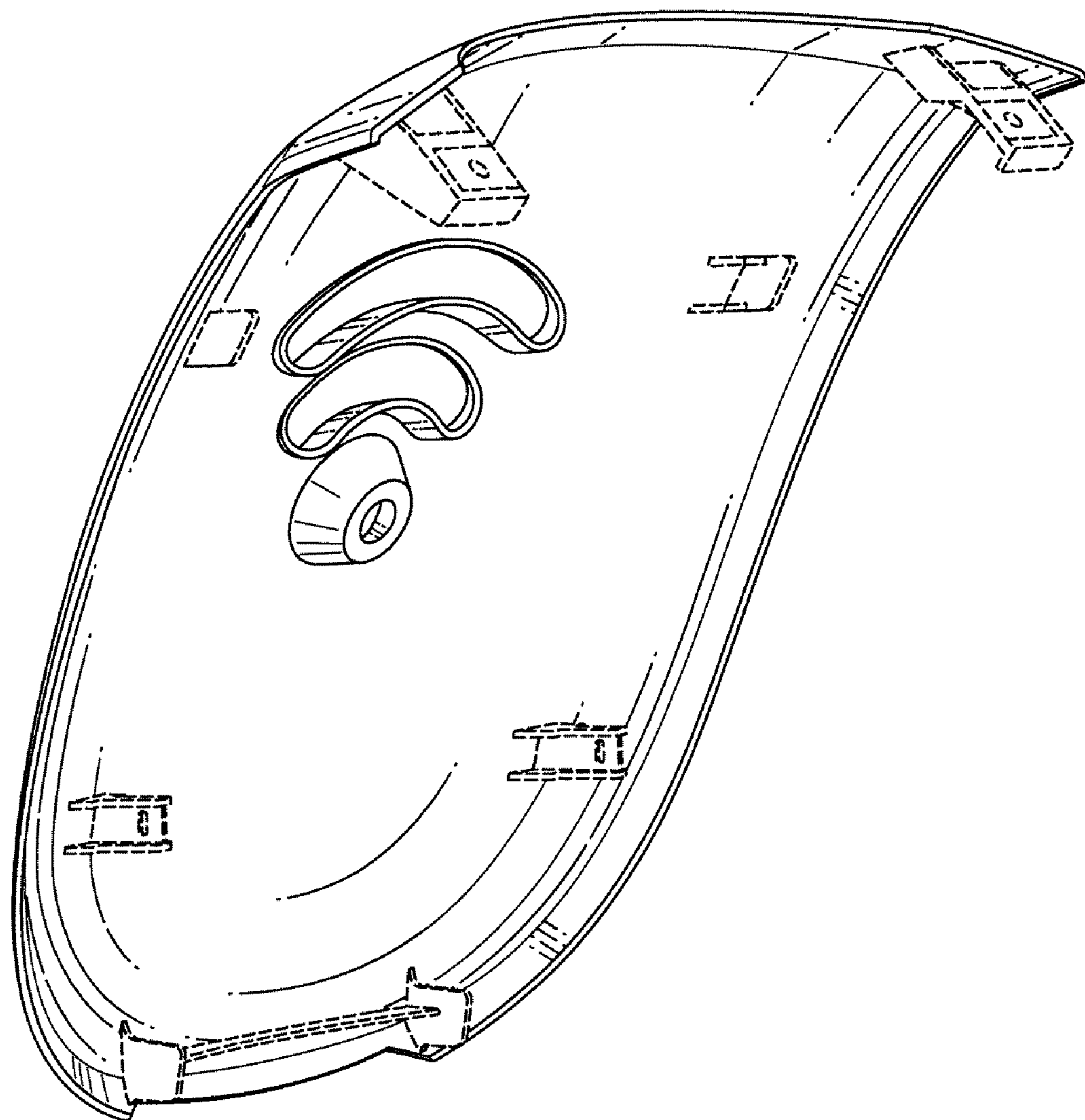


FIG. 4

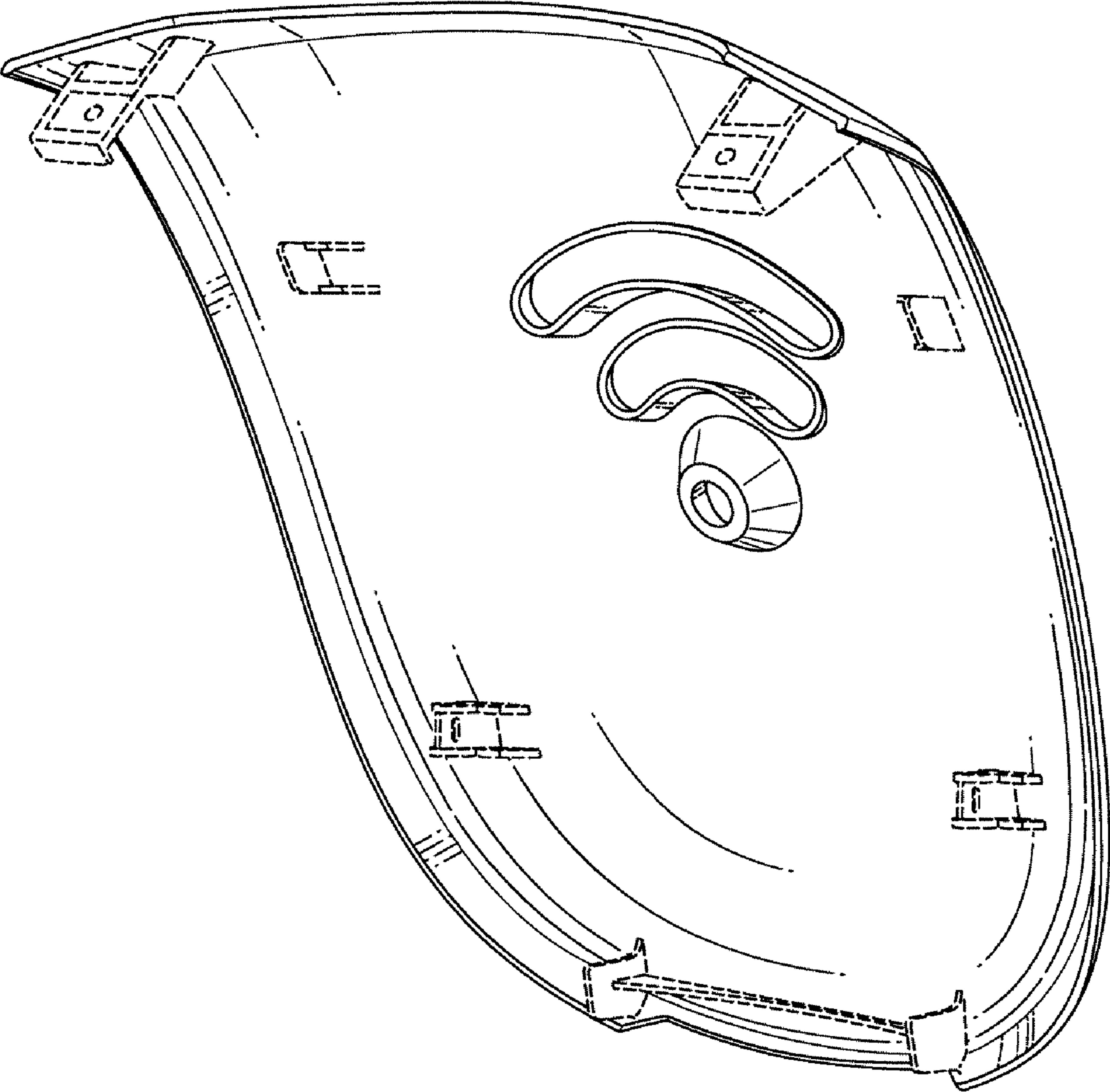


FIG. 5

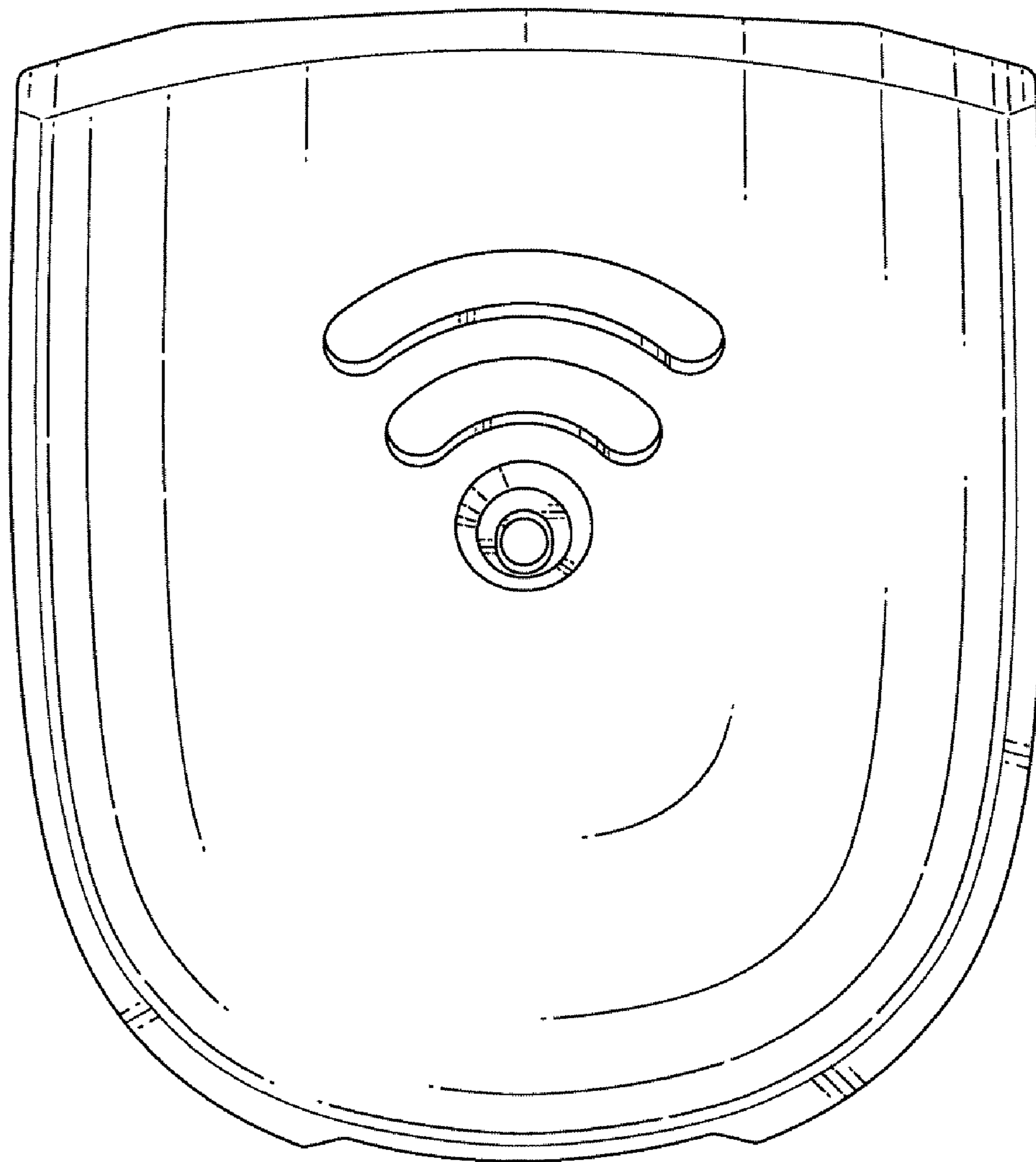


FIG. 6

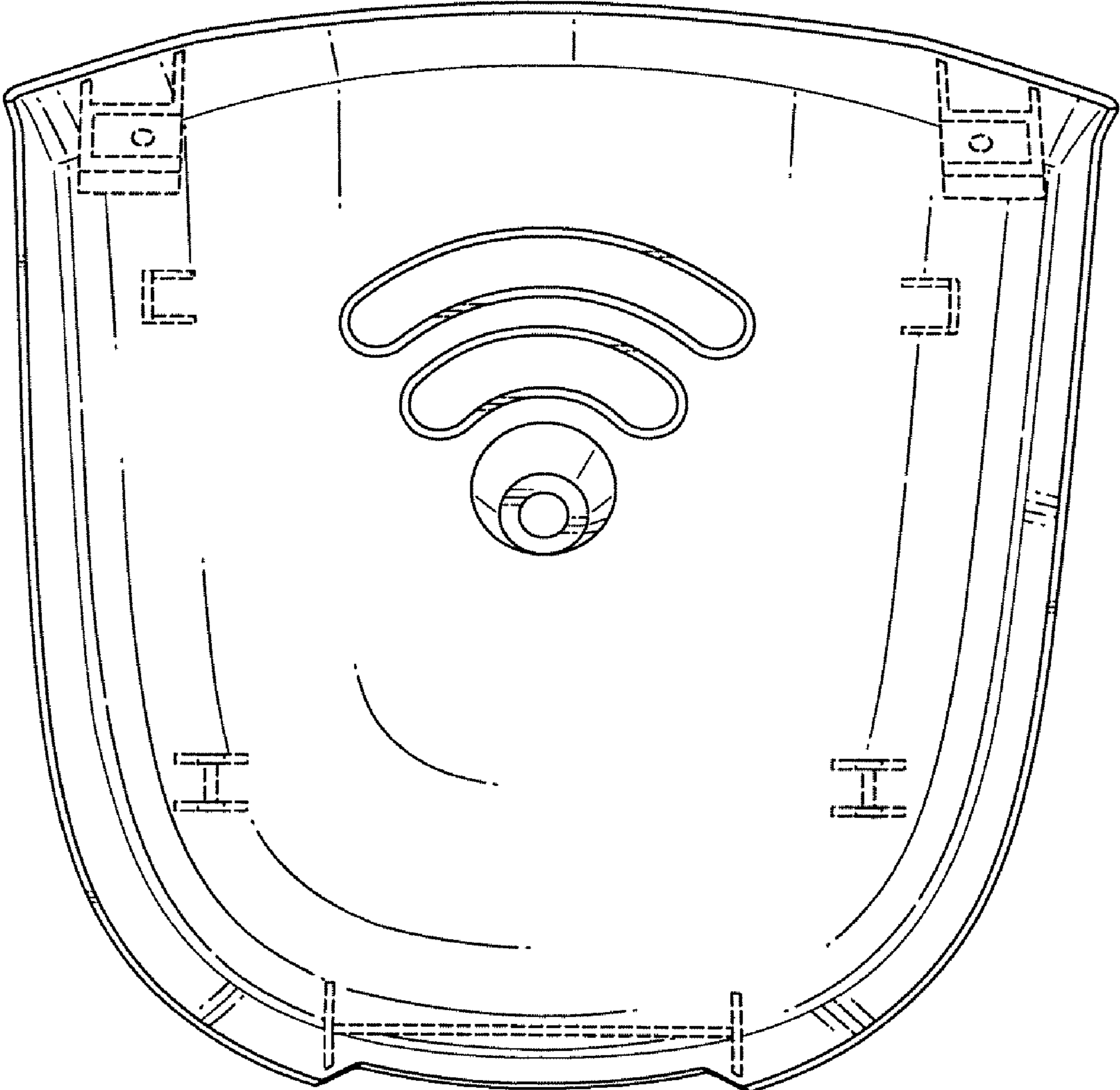


FIG. 7

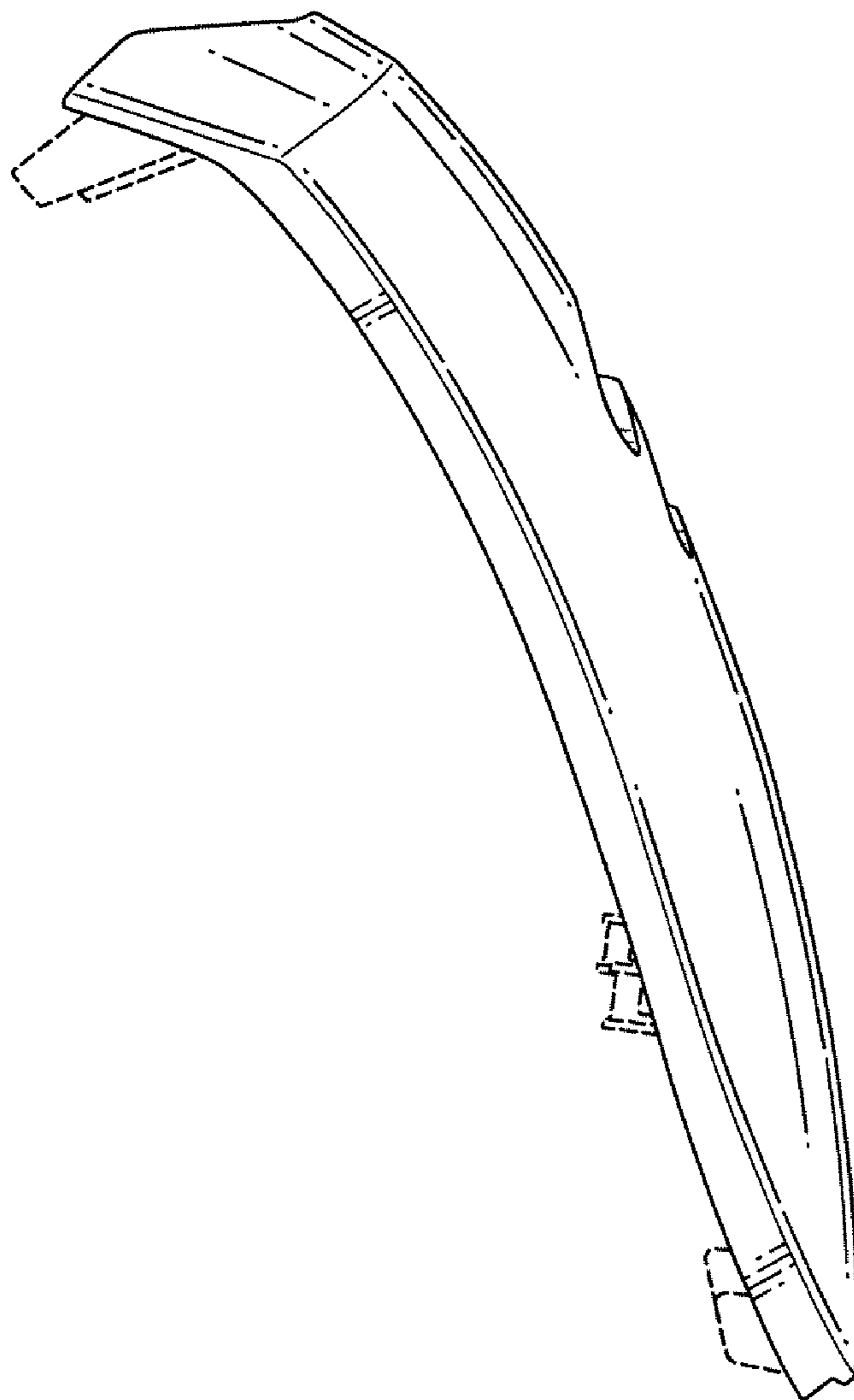


FIG. 8

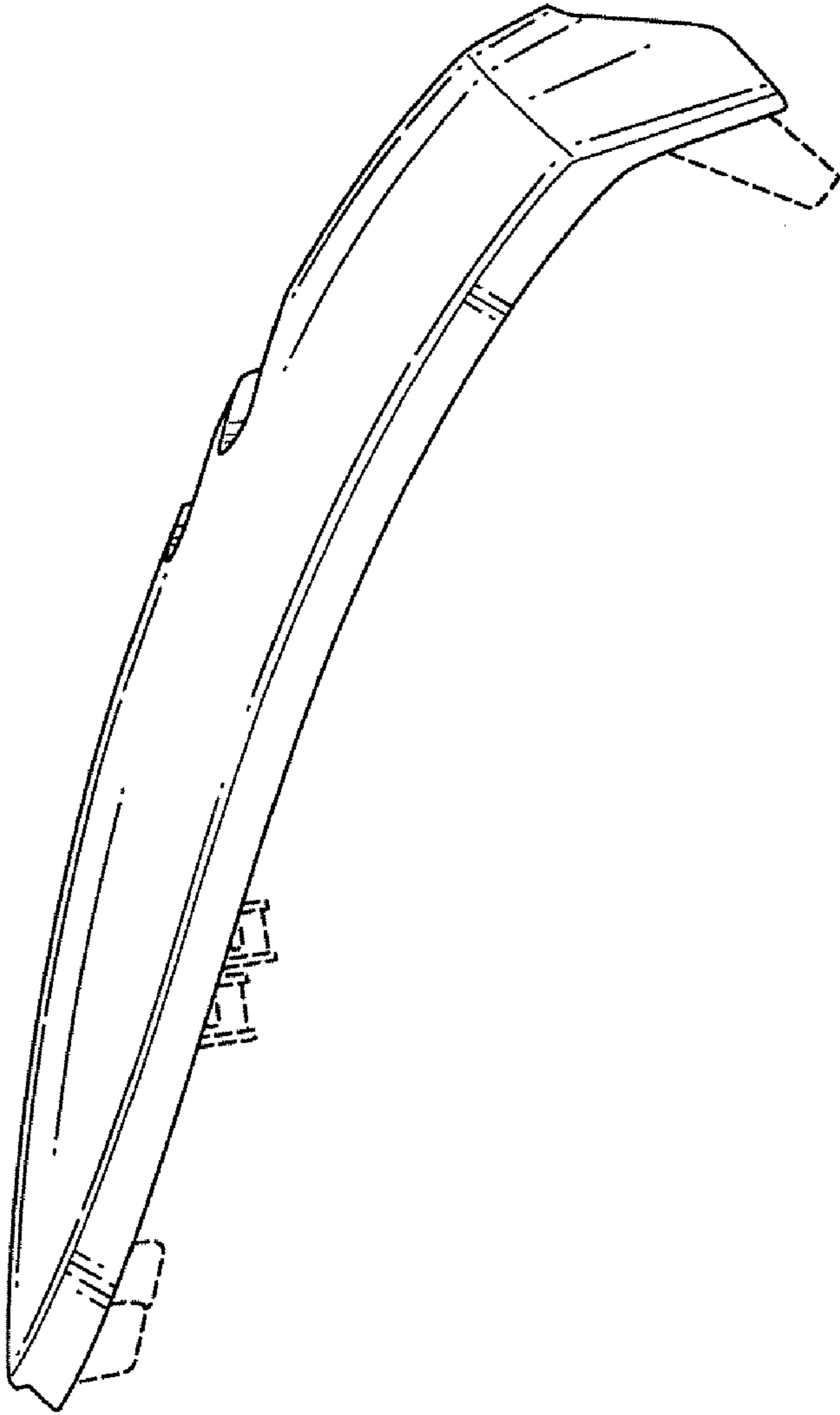


FIG. 9

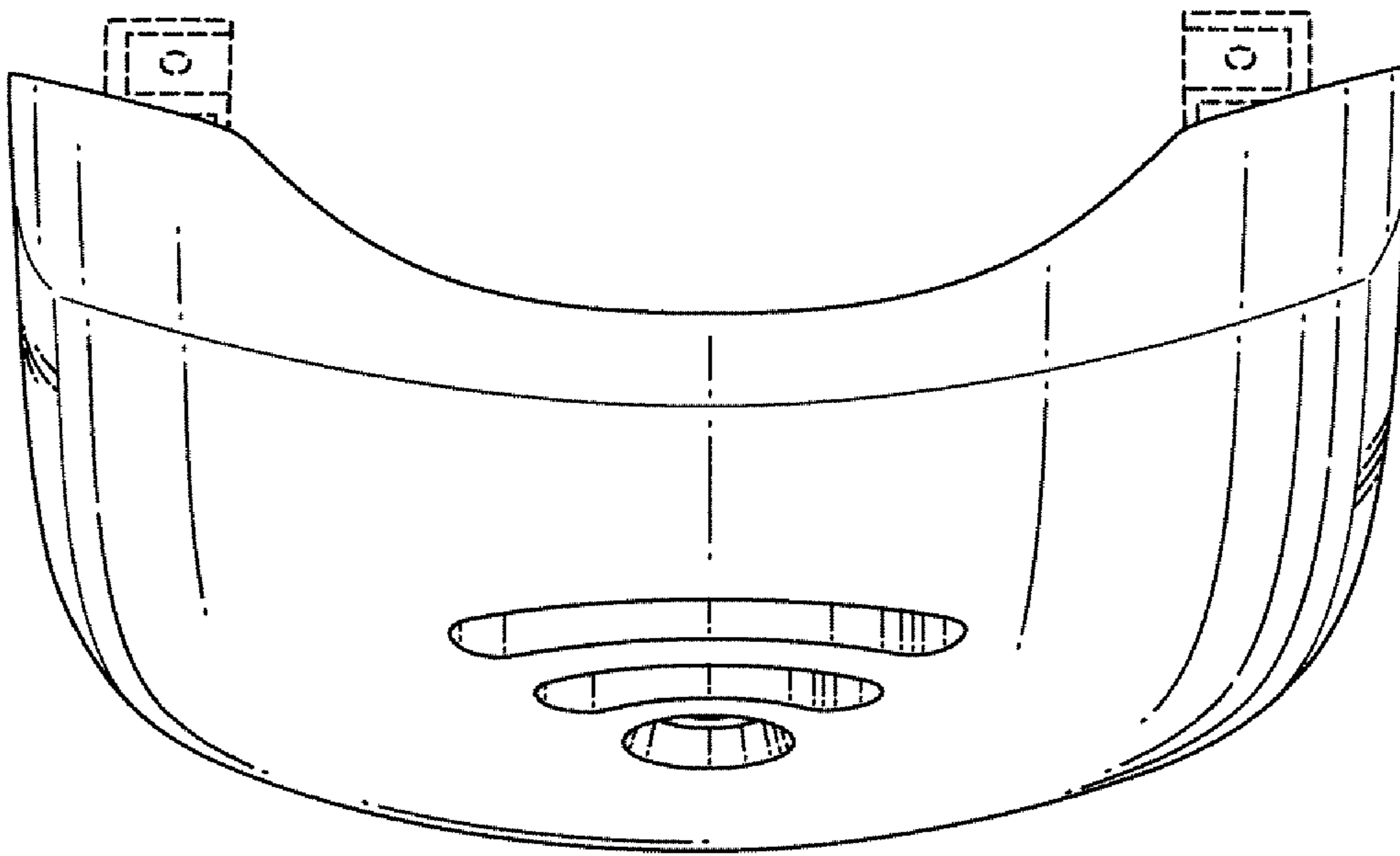


FIG. 10

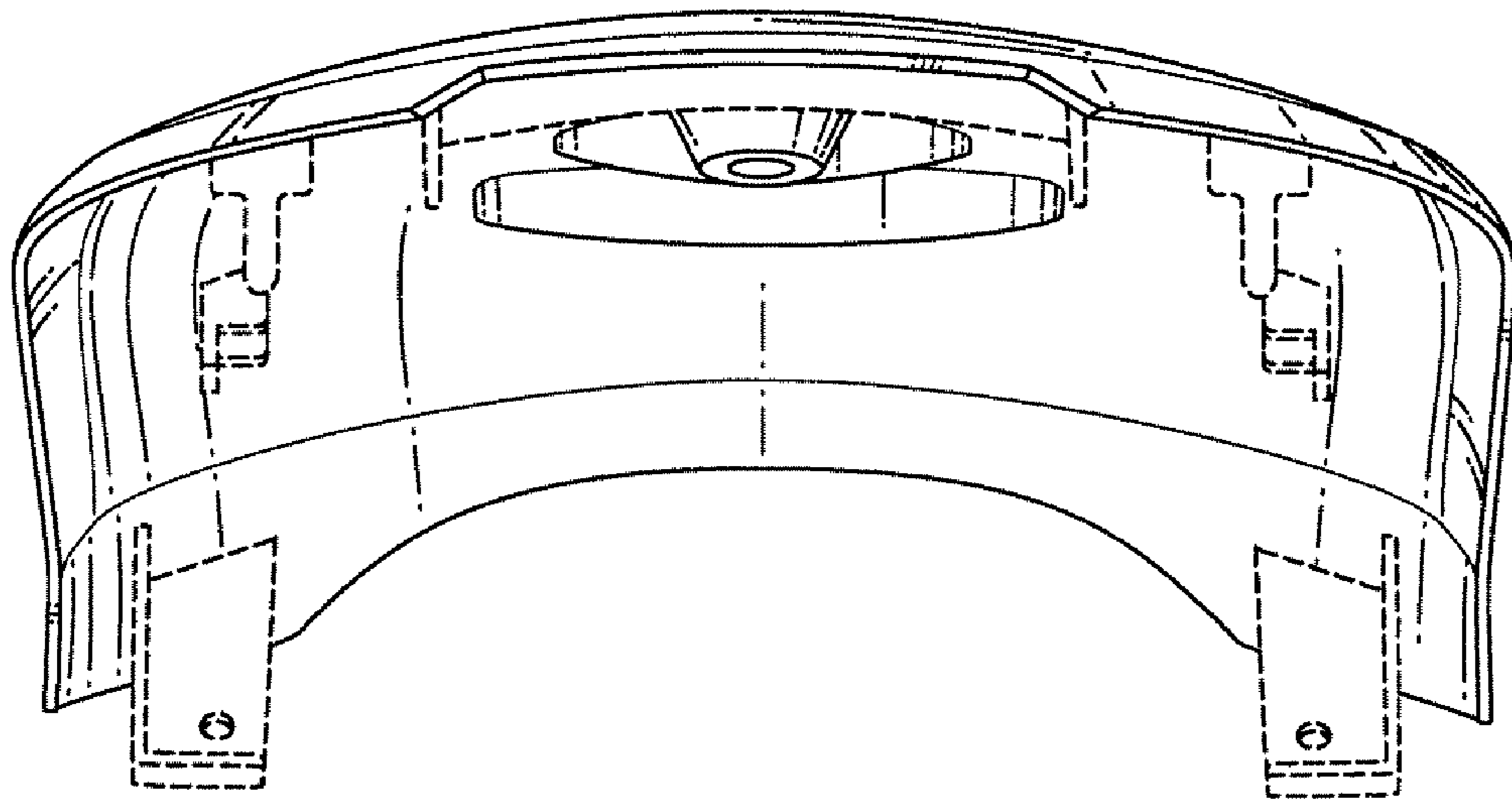


FIG. 11

