



US00D652771S

(12) **United States Design Patent**
Deturt

(10) **Patent No.:** **US D652,771 S**
(45) **Date of Patent:** **** Jan. 24, 2012**

(54) **COMBINED VEHICLE GUARD AND DAMPENER**

D583,712 S * 12/2008 Voss D12/93
7,520,534 B2 * 4/2009 Longchamp 280/847
D611,880 S * 3/2010 Voss D12/93

* cited by examiner

(76) Inventor: **Duane George Deturt**, Shawnee, OK
(US)

Primary Examiner — Philip Hyder

Assistant Examiner — Cynthia Underwood

(**) Term: **14 Years**

(74) *Attorney, Agent, or Firm* — QuickPatents, Inc.; Kevin Prince

(21) Appl. No.: **29/378,886**

(57) **CLAIM**

The ornamental design for a combined vehicle guard and dampener, as shown and described.

(22) Filed: **Nov. 10, 2010**

DESCRIPTION

(51) **LOC (9) Cl.** **12-16**

(52) **U.S. Cl.** **D12/184; D12/185**

(58) **Field of Classification Search** D12/184,
D12/181, 400, 185, 190, 173, 96, 97, 93;
D9/419, 424, 433, 432; D25/57, 118; 180/89.12,
180/89.13, 89.67; 220/495.03; 229/122.31;
296/184.1; 293/128; 280/152.1, 847-851

See application file for complete search history.

FIG. 1 is a perspective view of a combined vehicle guard and dampener, showing the new design;
FIG. 2 is a front elevational view thereof;
FIG. 3 is a rear elevational view thereof;
FIG. 4 is a left-side elevational view thereof;
FIG. 5 is a right-side elevational view thereof;
FIG. 6 is a top plan view thereof; and,
FIG. 7 is a bottom plan view thereof.

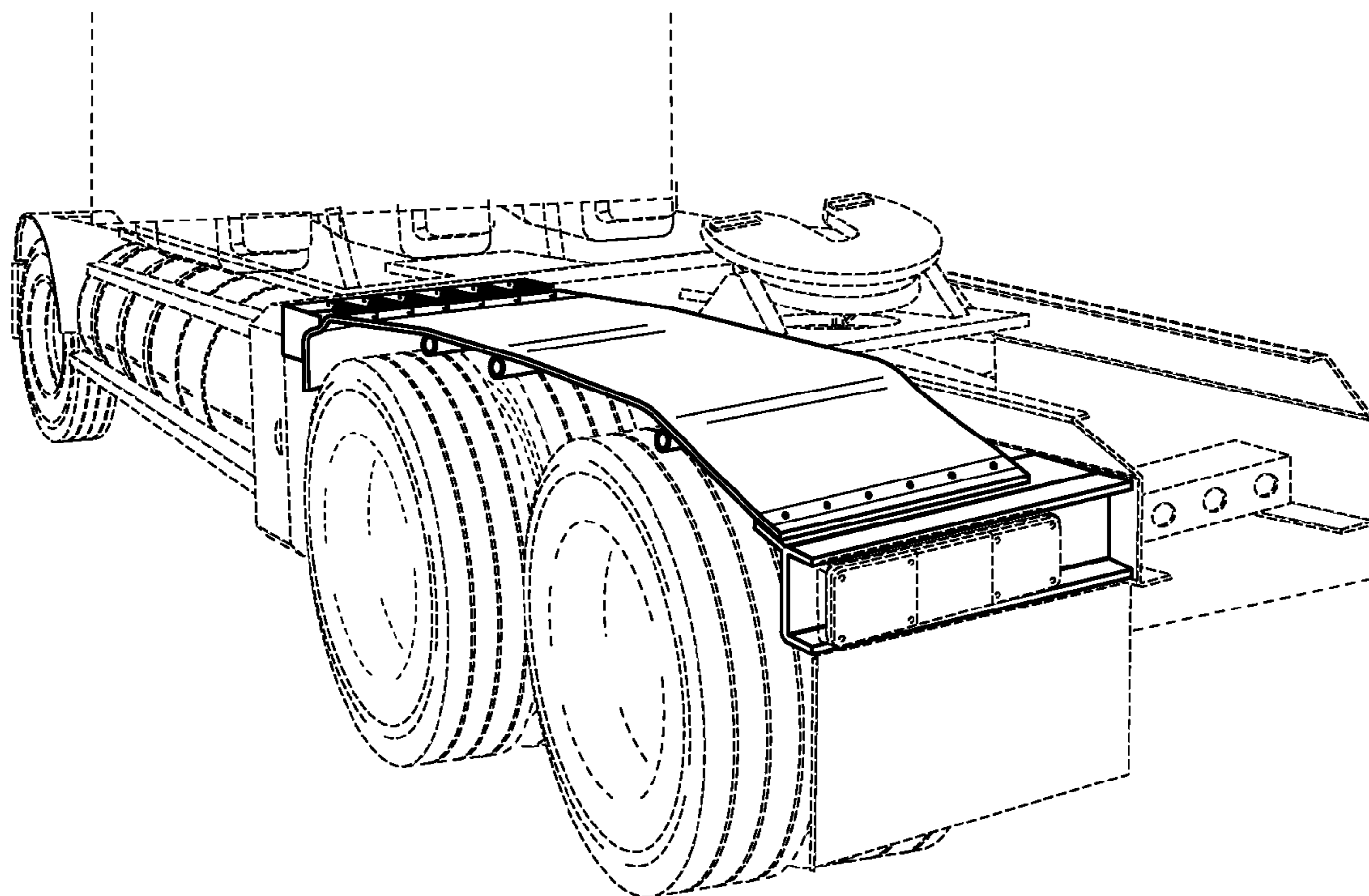
The broken lines showing a truck in FIGS. 1 and 4 are included for the purpose of illustrating the invention in use, and form no part of the claimed design. A left wheel guard and dampener is illustrated, it being understood that the right wheel guard and dampener is a mirror image thereof and has been omitted for clarity of illustration.

(56) **References Cited**

U.S. PATENT DOCUMENTS

D390,521 S * 2/1998 Hellhake et al. D12/185
5,950,975 A * 9/1999 Zieske 248/291.1
7,185,920 B2 * 3/2007 Drummond 280/851
7,222,884 B2 * 5/2007 Callan et al. 280/848
7,316,429 B2 * 1/2008 Viegner 285/340
D579,835 S * 11/2008 Vanaria D12/184
D579,837 S * 11/2008 Vanaria D12/184

1 Claim, 4 Drawing Sheets



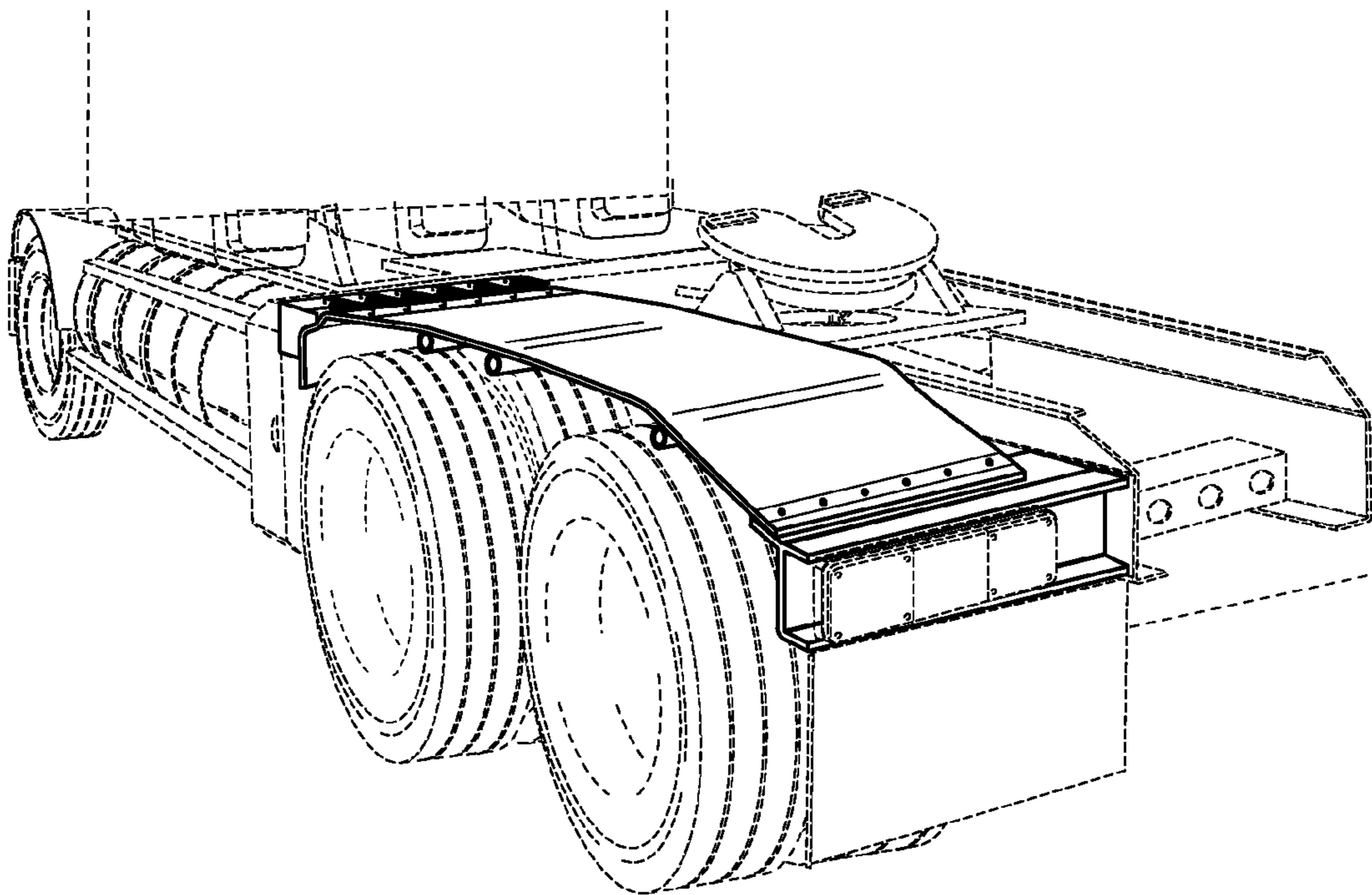


FIG. 1

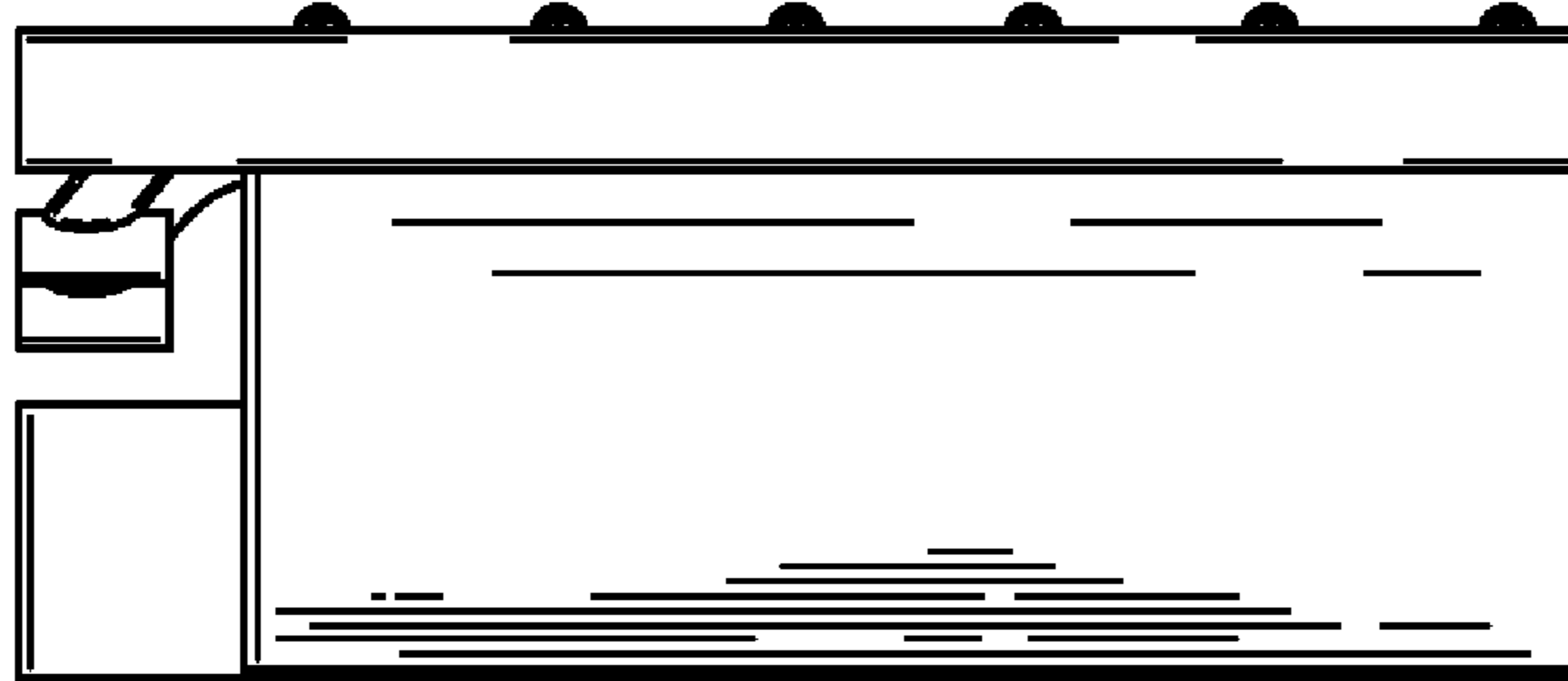


FIG. 2

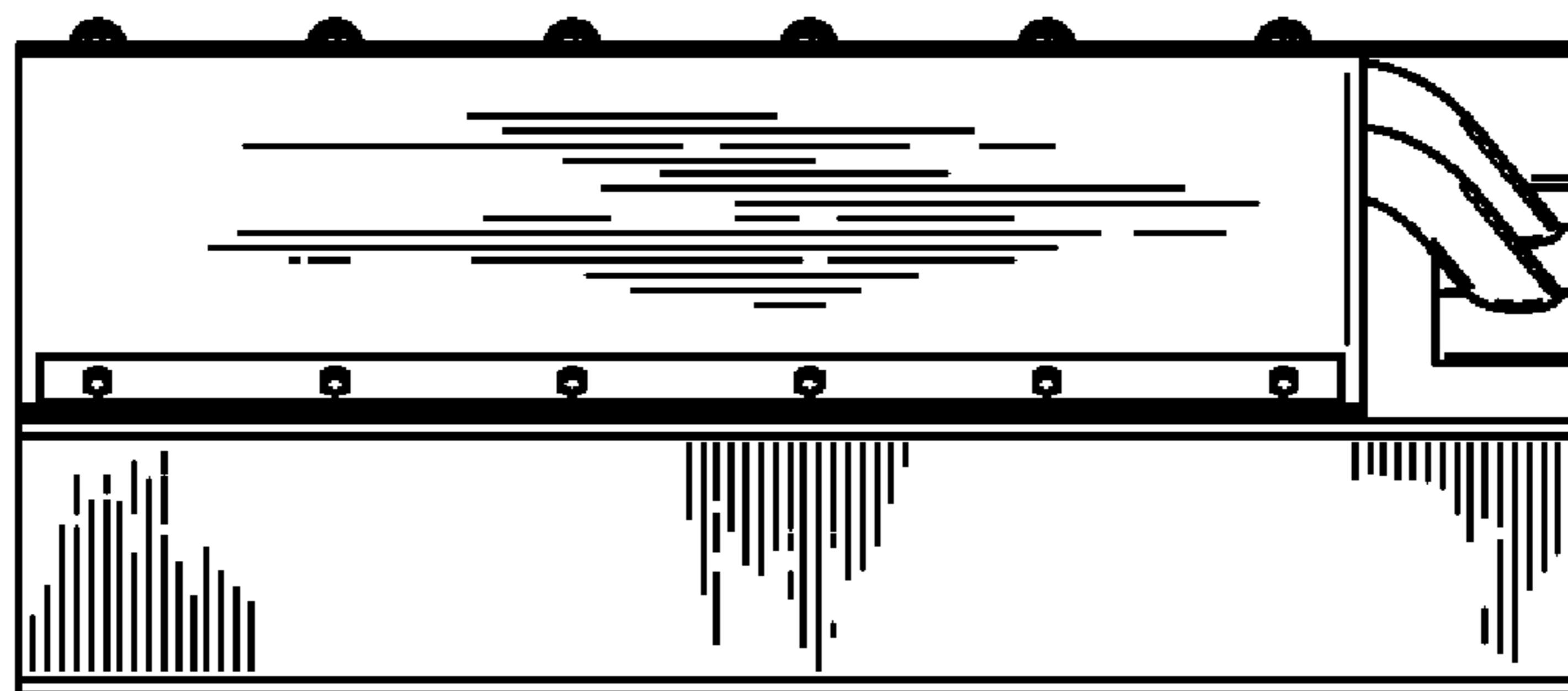


FIG. 3

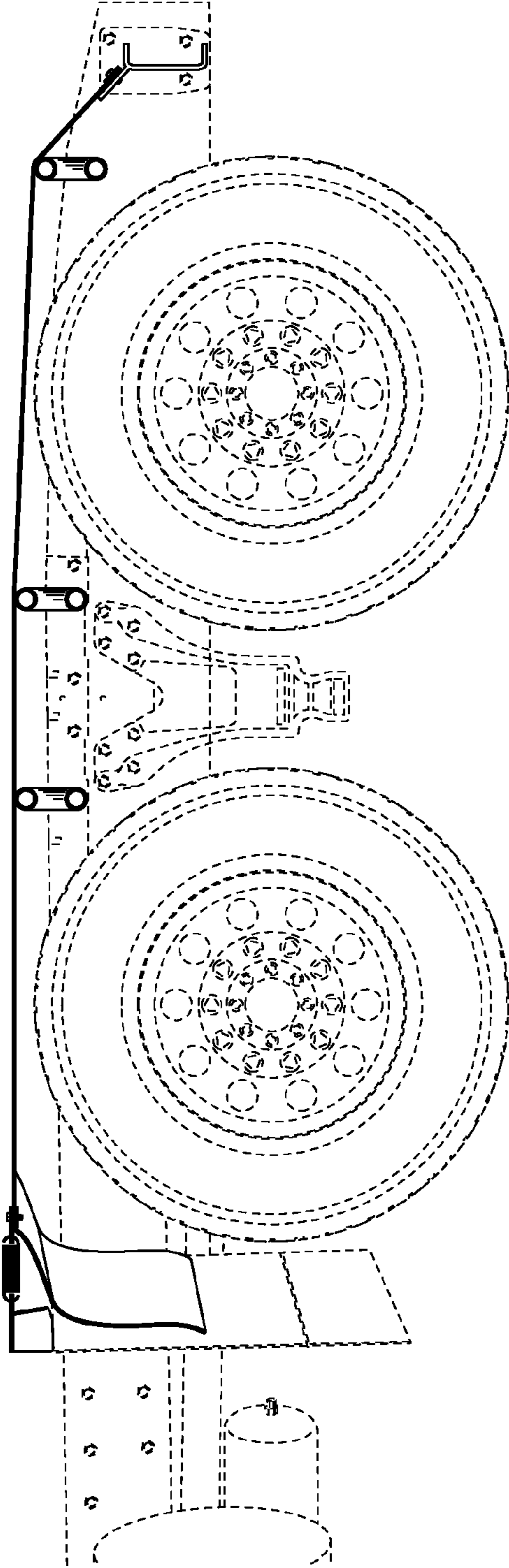


FIG. 4

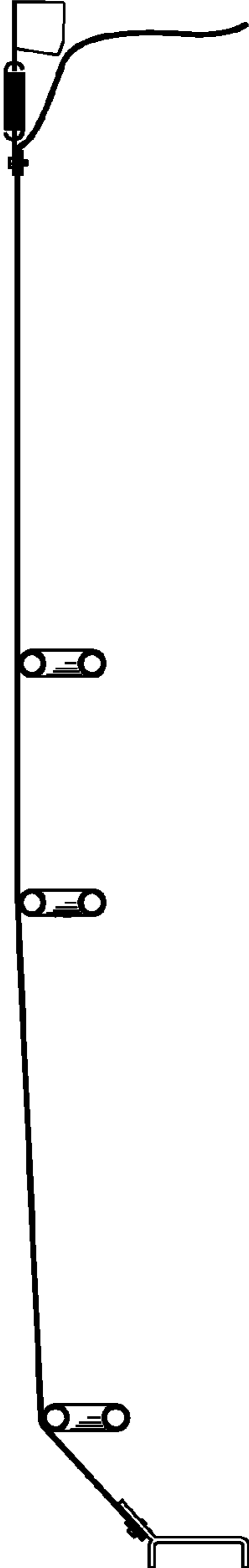


FIG. 5

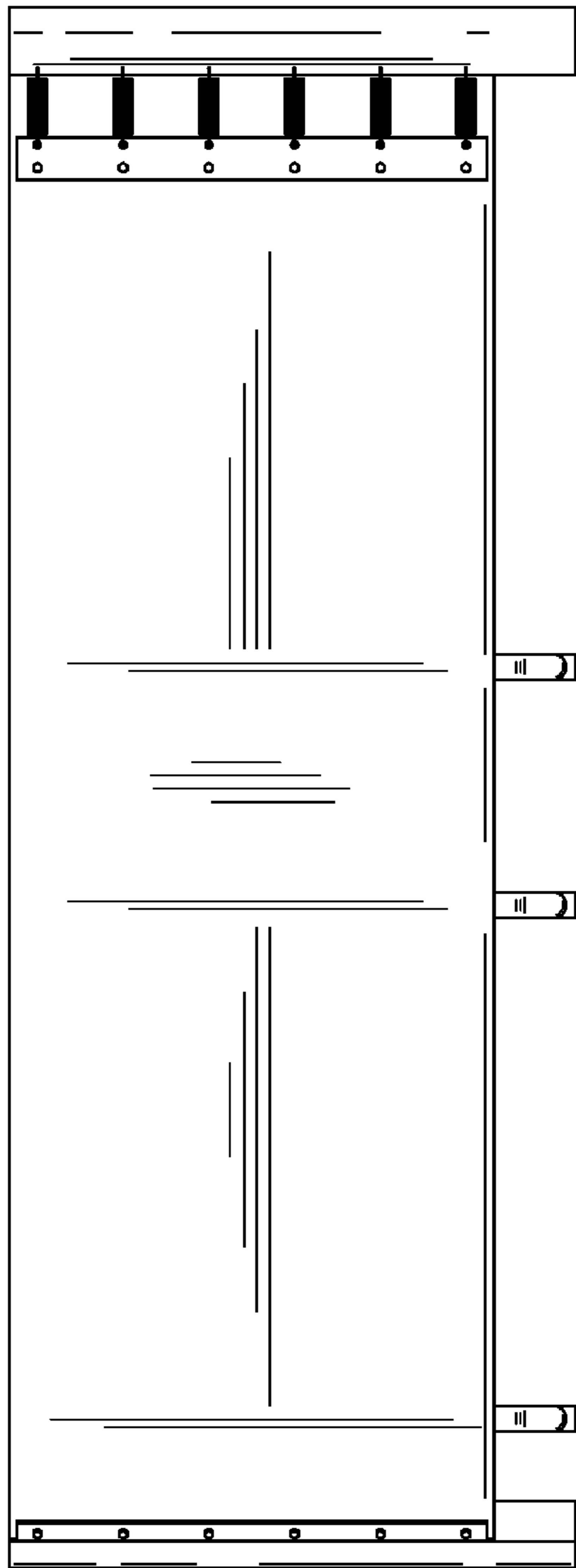


FIG. 6

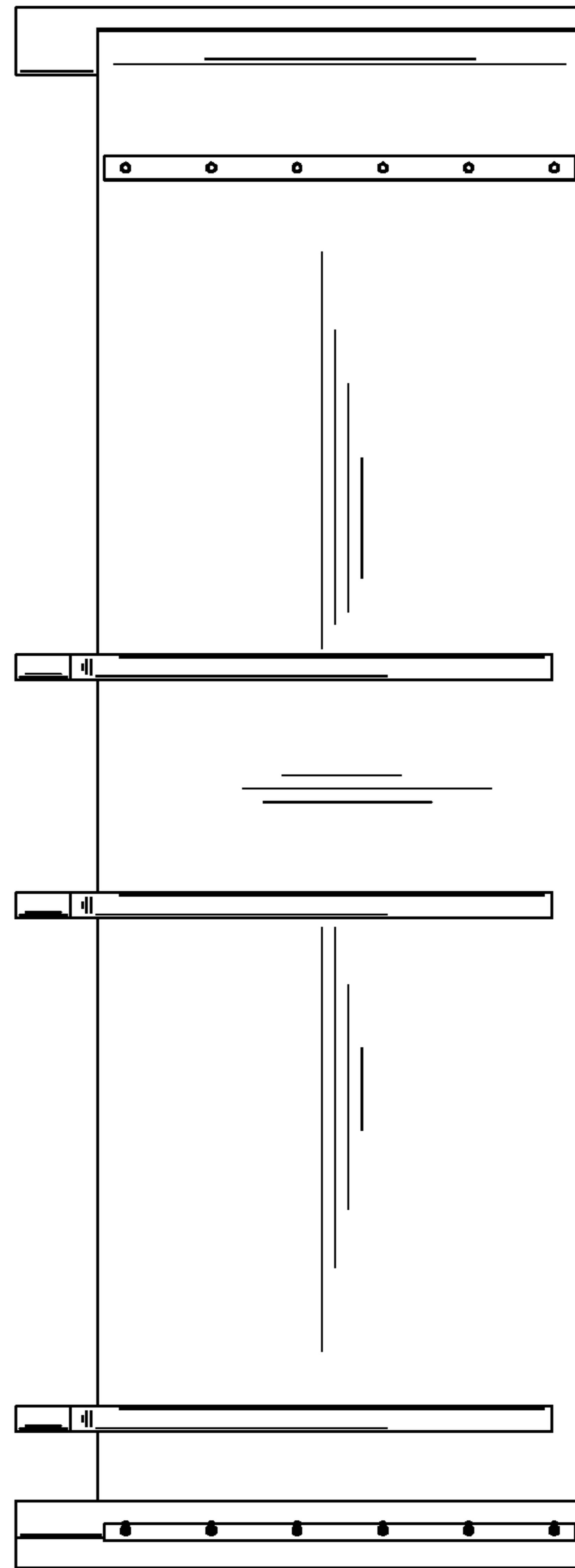


FIG. 7