



US00D652752S

(12) **United States Design Patent**
Fernandez et al.

(10) **Patent No.:** **US D652,752 S**
(45) **Date of Patent:** **** Jan. 24, 2012**

(54) **SIGNAL SHIFT DEVICE**

(75) Inventors: **Mark Fernandez**, Fullerton, CA (US);
Kim Kwok, Irvine, CA (US)

(73) Assignee: **National Signal, Inc.**, Fullerton, CA
(US)

(**) Term: **14 Years**

(21) Appl. No.: **29/389,627**

(22) Filed: **Apr. 14, 2011**

(51) **LOC (9) Cl.** **10-05**

(52) **U.S. Cl.** **D10/113.4**

(58) **Field of Classification Search** D10/113.4,
D10/114.1, 109.1; 340/908, 908.1, 936;
345/1.3, 55; 40/448, 541
See application file for complete search history.

(56) **References Cited**

U.S. PATENT DOCUMENTS

4,087,785	A *	5/1978	Dodich	340/908.1
4,593,265	A *	6/1986	McKenney	340/908.1
5,231,393	A *	7/1993	Strickland	340/936
5,257,020	A *	10/1993	Morse	340/908.1
5,914,698	A *	6/1999	Nicholson et al.	345/1.3
6,101,750	A *	8/2000	Blesener et al.	40/448
6,972,689	B1 *	12/2005	Morgan et al.	340/815.4

7,268,701	B2 *	9/2007	Rohl	340/908
2005/0012636	A1 *	1/2005	Gallagher et al.	340/815.45
2005/0162342	A1 *	7/2005	Luoma et al.	345/55
2007/0251132	A1 *	11/2007	Luoma et al.	40/541

* cited by examiner

Primary Examiner — Caron D Veynar

Assistant Examiner — George D Kirschbaum

(74) *Attorney, Agent, or Firm* — Hani Z. Sayed; Rutan & Tucker, LLP

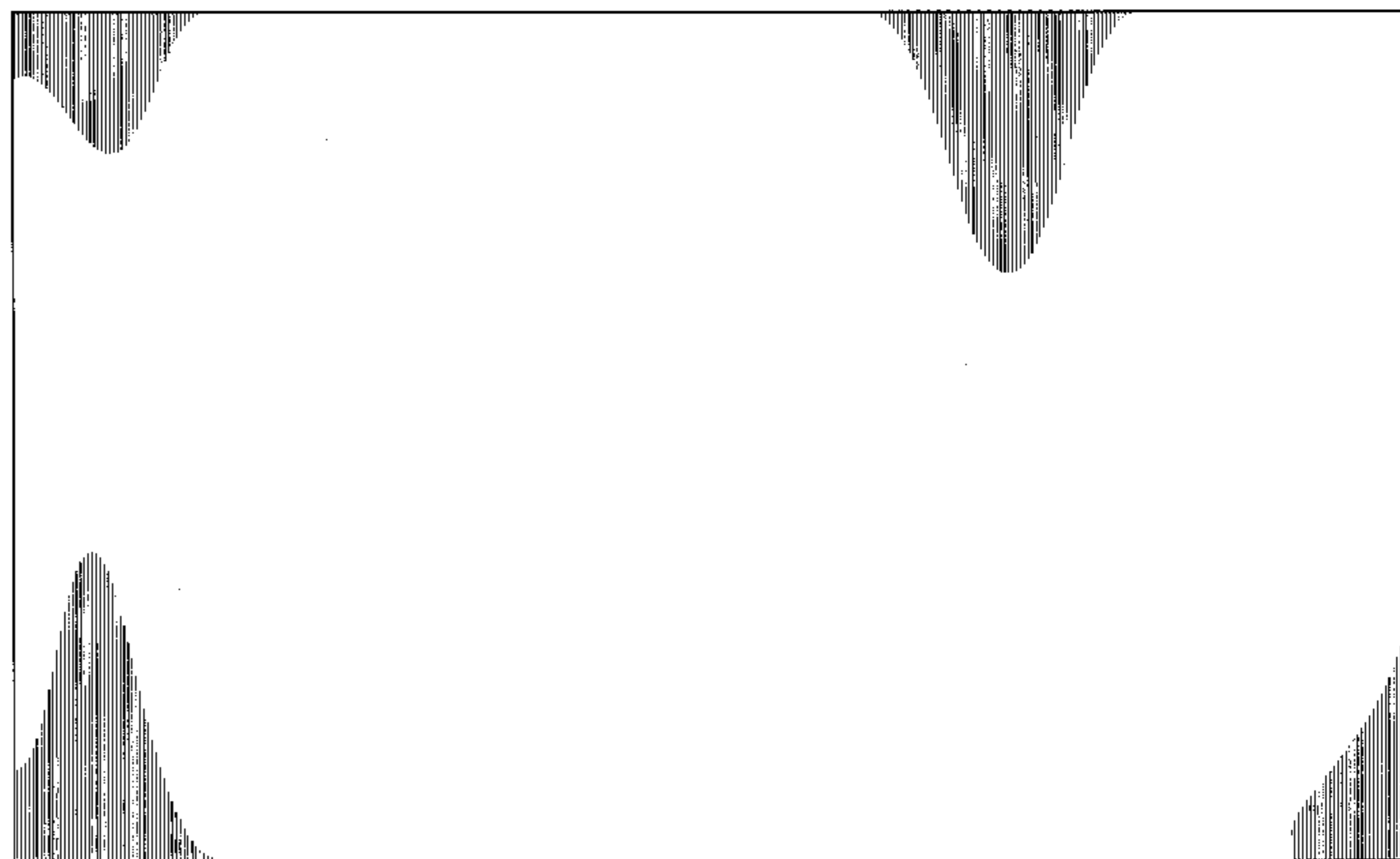
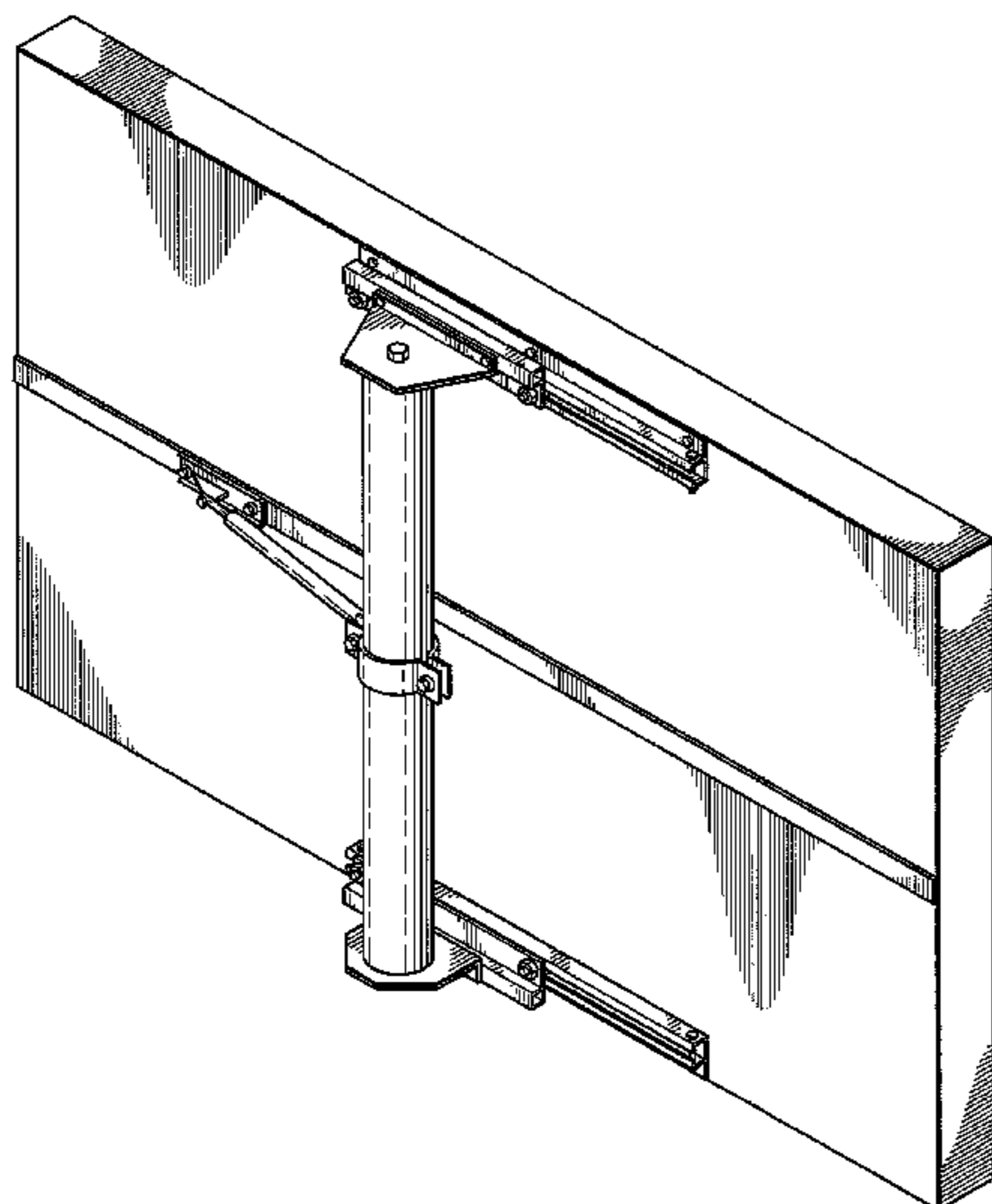
(57) **CLAIM**

The ornamental design for signal shift device, as shown and described.

DESCRIPTION

FIG. 1 is a front, top, right side perspective view;
FIG. 2 is a front elevation view;
FIG. 3 is a rear elevation view;
FIG. 4 is a right side elevation view;
FIG. 5 is a left side elevation view;
FIG. 6 is a top plane view;
FIG. 7 is a bottom plane view; and,
FIG. 8 is a front, top, right side perspective view.
In the drawings, the broken line showing of a sign trailer depicts environmental subject matter and forms no part of the claim.

1 Claim, 6 Drawing Sheets



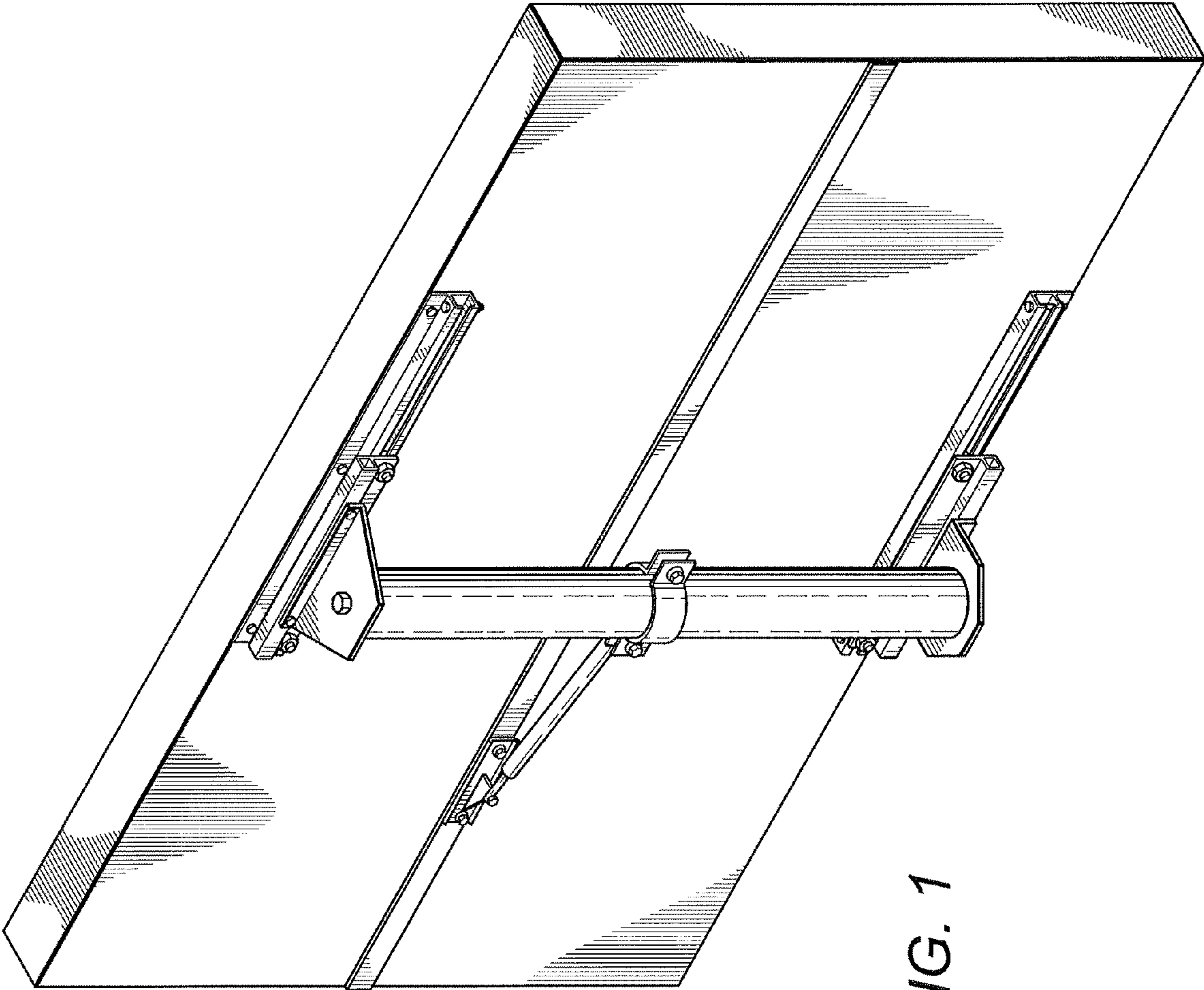


FIG. 1

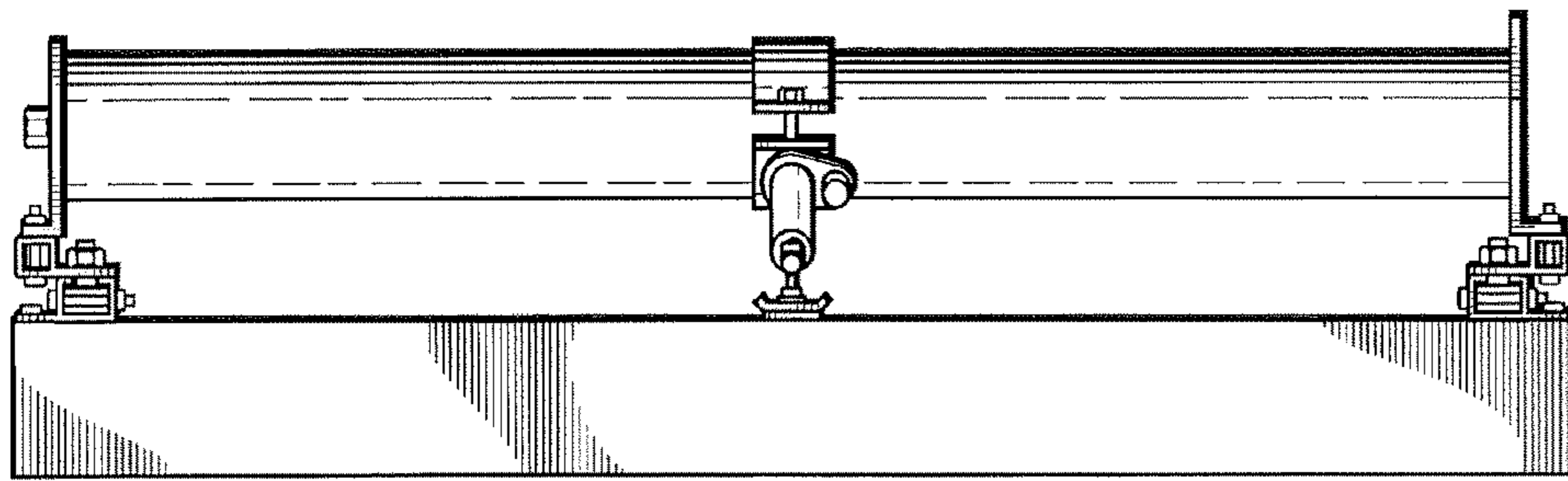


FIG. 3

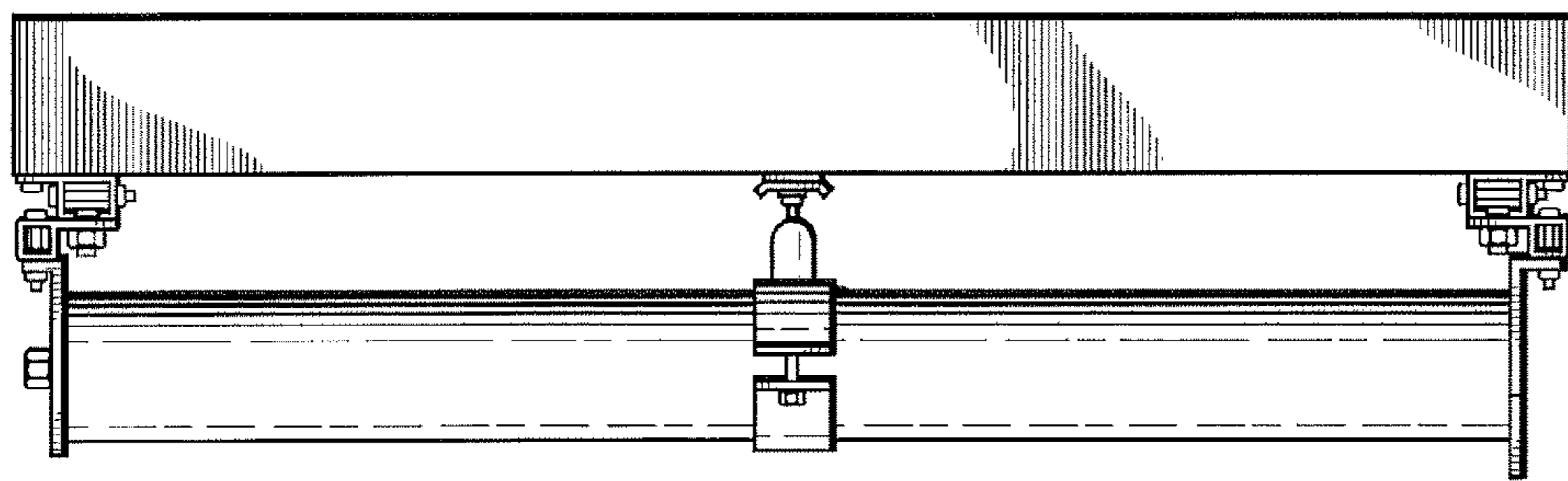


FIG. 2

FIG. 4

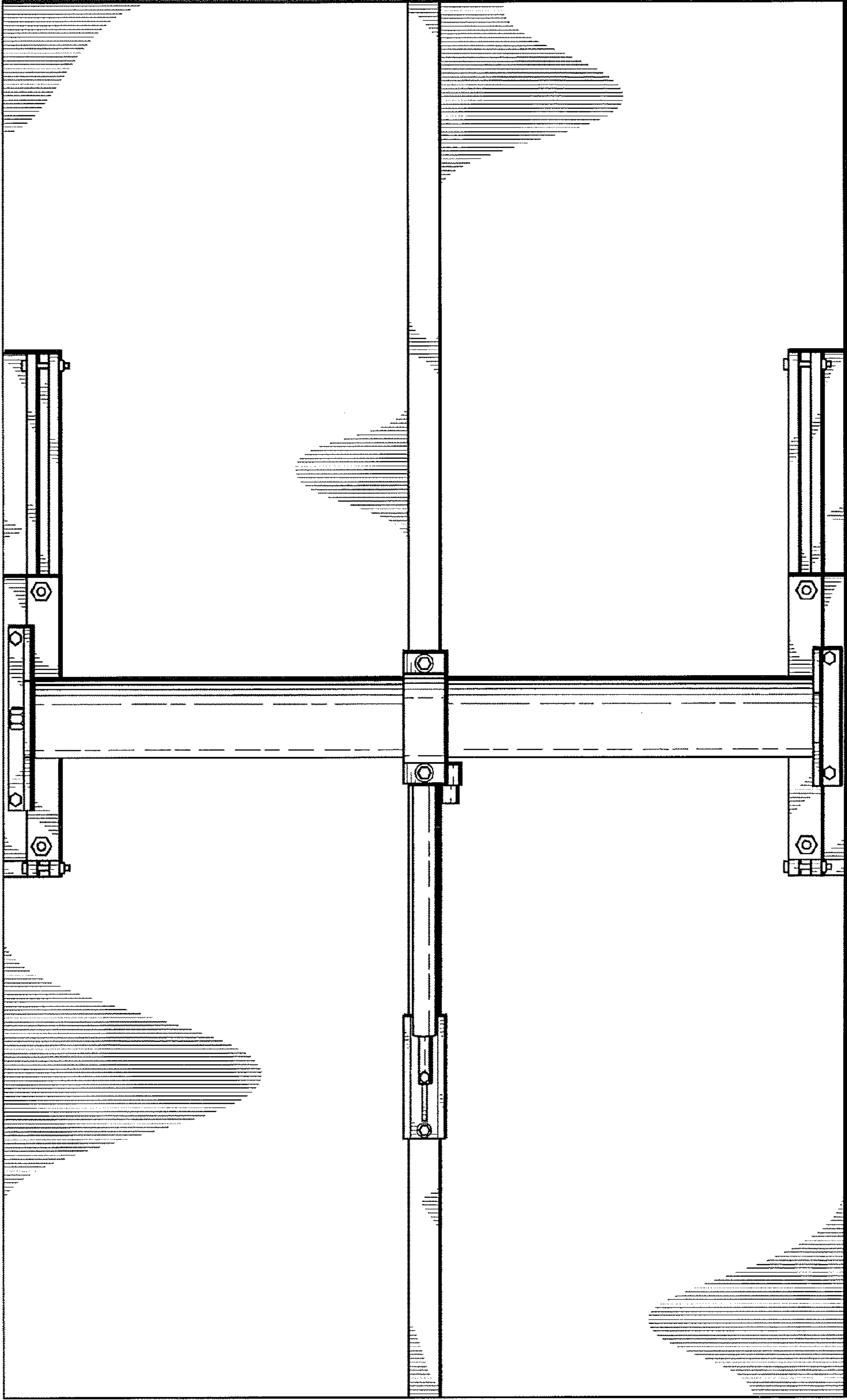


FIG. 5

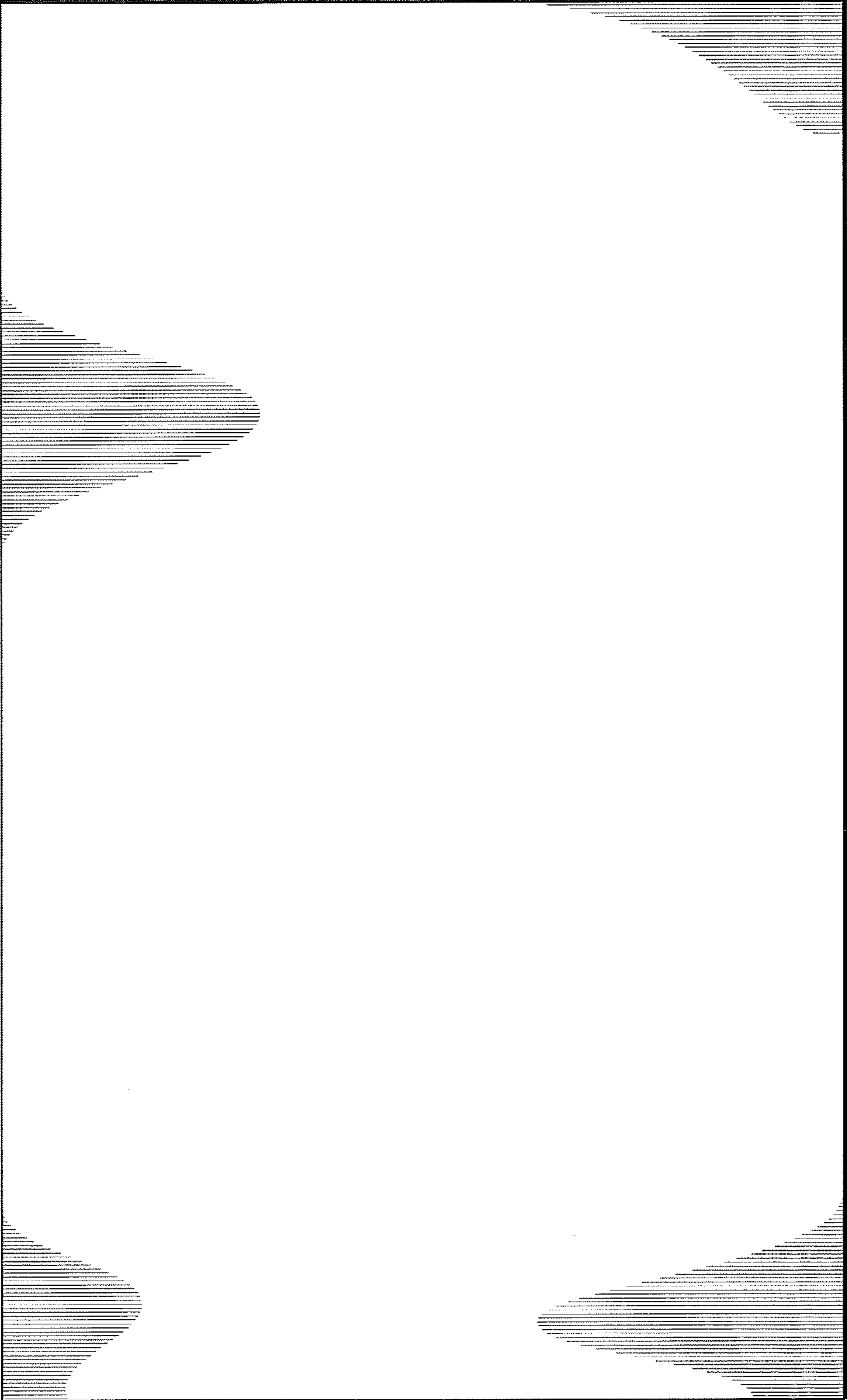


FIG. 6

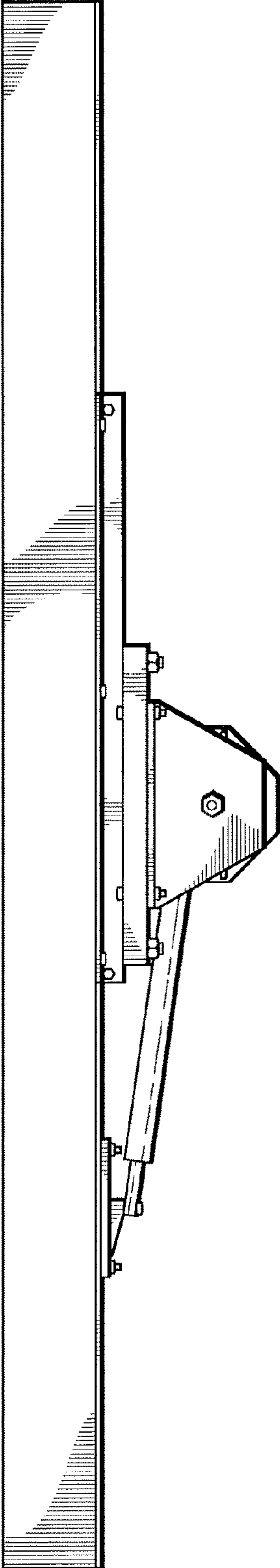


FIG. 7

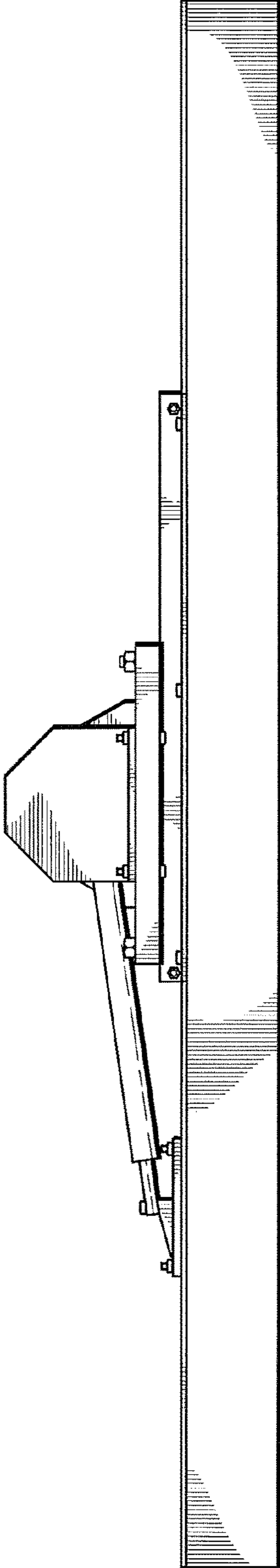


FIG. 8

