



US00D652747S

(12) **United States Design Patent**
Ferris

(10) **Patent No.:** **US D652,747 S**
(45) **Date of Patent:** **** Jan. 24, 2012**

(54) **DIAGNOSTIC RET CONTROLLER**

(75) Inventor: **Matthew D. Ferris**, Plano, TX (US)

(73) Assignee: **Andrew LLC**, Hickory, NC (US)

(**) Term: **14 Years**

(21) Appl. No.: **29/359,724**

(22) Filed: **Apr. 14, 2010**

(51) **LOC (9) Cl.** **10-04**

(52) **U.S. Cl.** **D10/49; D10/78**

(58) **Field of Classification Search** **D10/49,**
D10/78; 342/359

See application file for complete search history.

(56) **References Cited**

U.S. PATENT DOCUMENTS

D367,430	S	*	2/1996	Greenberg et al.	D10/49
D510,044	S	*	9/2005	Ribeiro et al.	D10/78
D518,394	S	*	4/2006	Lipscomb et al.	D10/78
D570,716	S	*	6/2008	Gerold	D10/78
D572,615	S	*	7/2008	Gerold	D10/78
D606,433	S	*	12/2009	Whitcomb et al.	D10/78

* cited by examiner

Primary Examiner — Antoine D Davis

(74) *Attorney, Agent, or Firm* — Husch Blackwell LLP

(57) **CLAIM**

The ornamental design for a diagnostic RET controller, as shown and described.

DESCRIPTION

FIG. 1 is a perspective view of the diagnostic RET controller design;

FIG. 2 is a second perspective view of the diagnostic RET controller design;

FIG. 3 is a right side view of the diagnostic RET controller design;

FIG. 4 is a back side view of the diagnostic RET controller design;

FIG. 5 is a front view thereof;

FIG. 6 is left side view thereof;

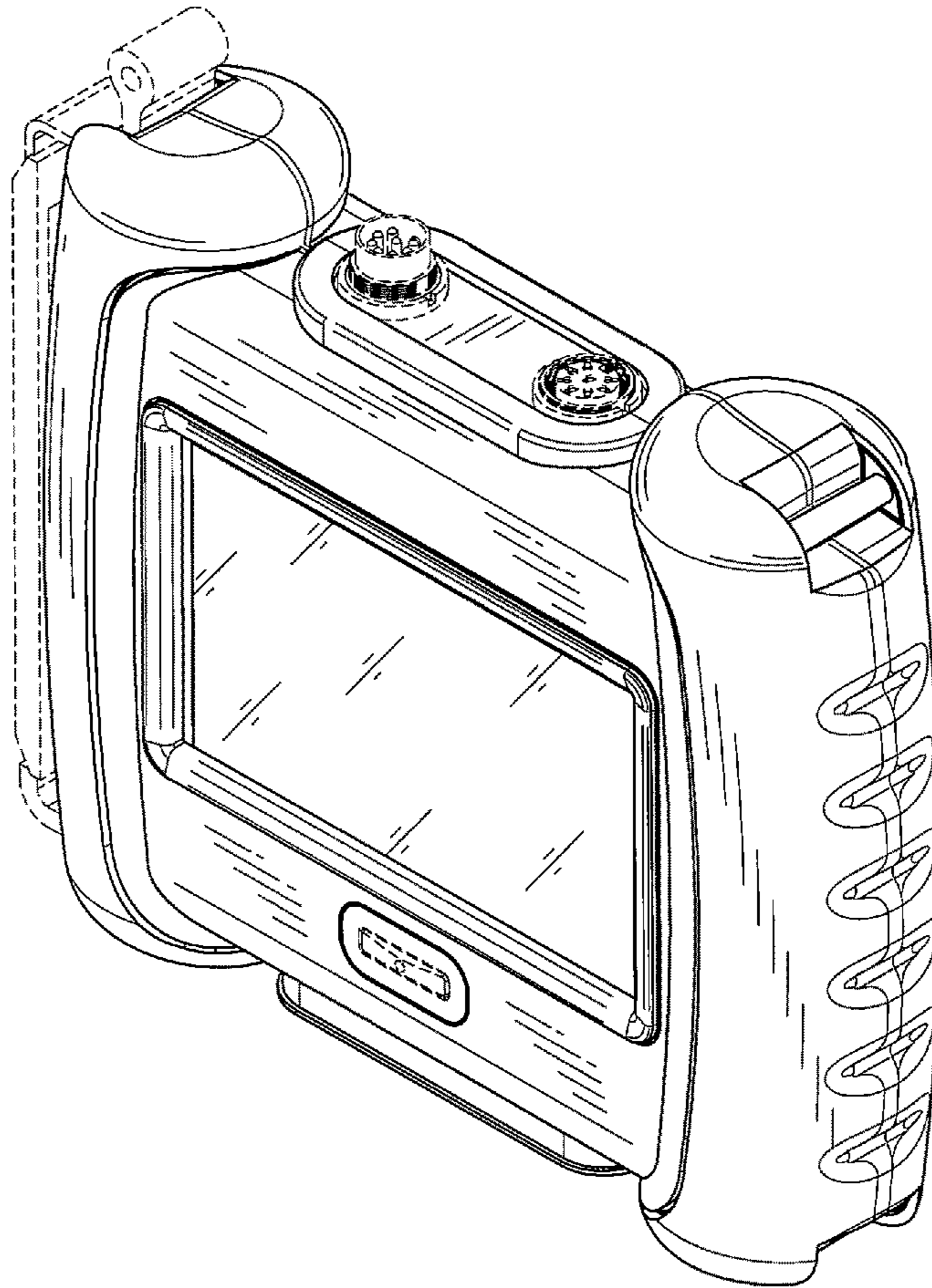
FIG. 7 is a top view thereof;

FIG. 8 is a bottom view thereof; and,

FIG. 9 is a third perspective view of the diagnostic RET controller design, with a bottom flap in an open position.

The phantom line showing of environment is for illustrative purposes only.

1 Claim, 6 Drawing Sheets



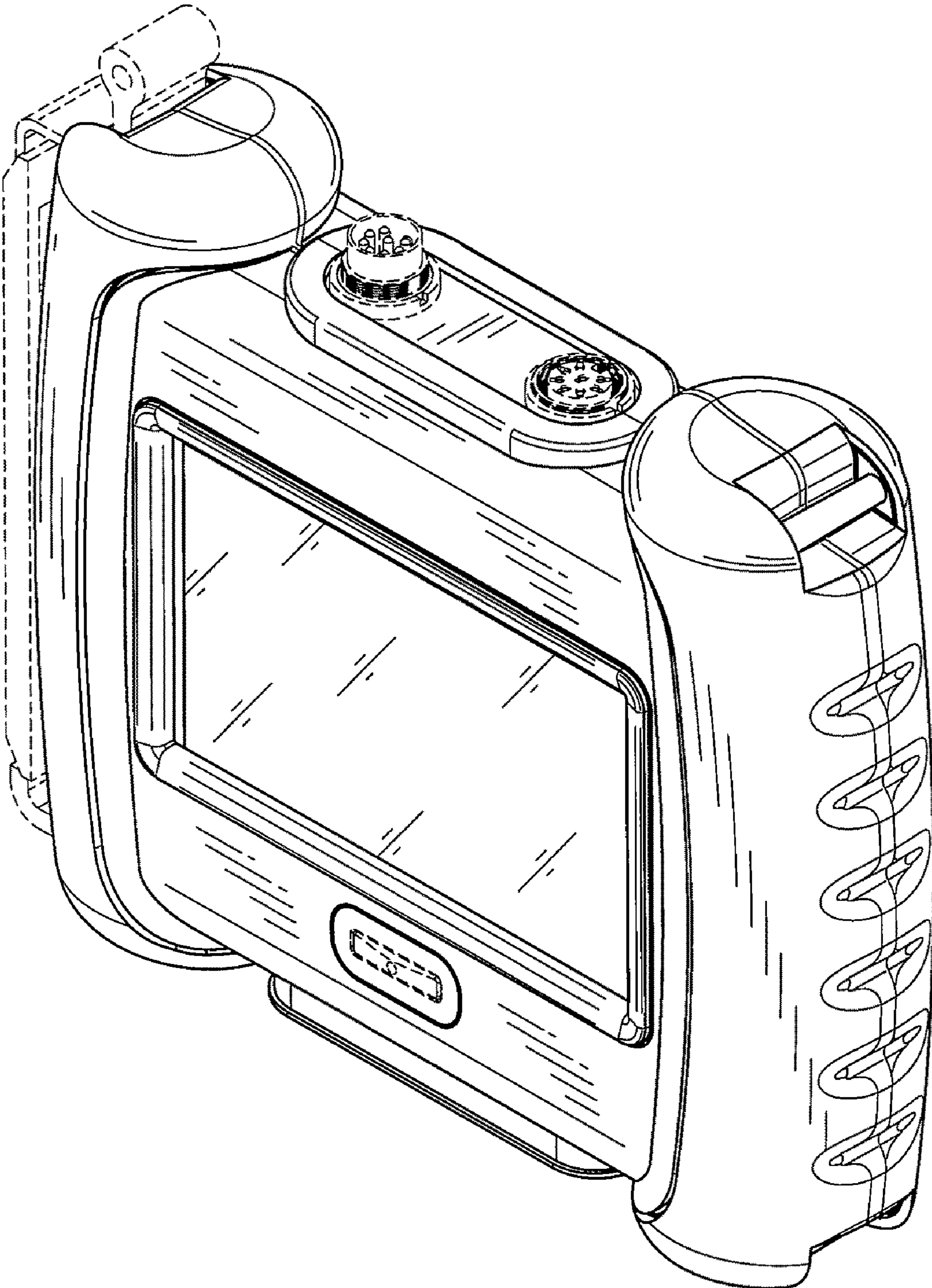


FIG. 1

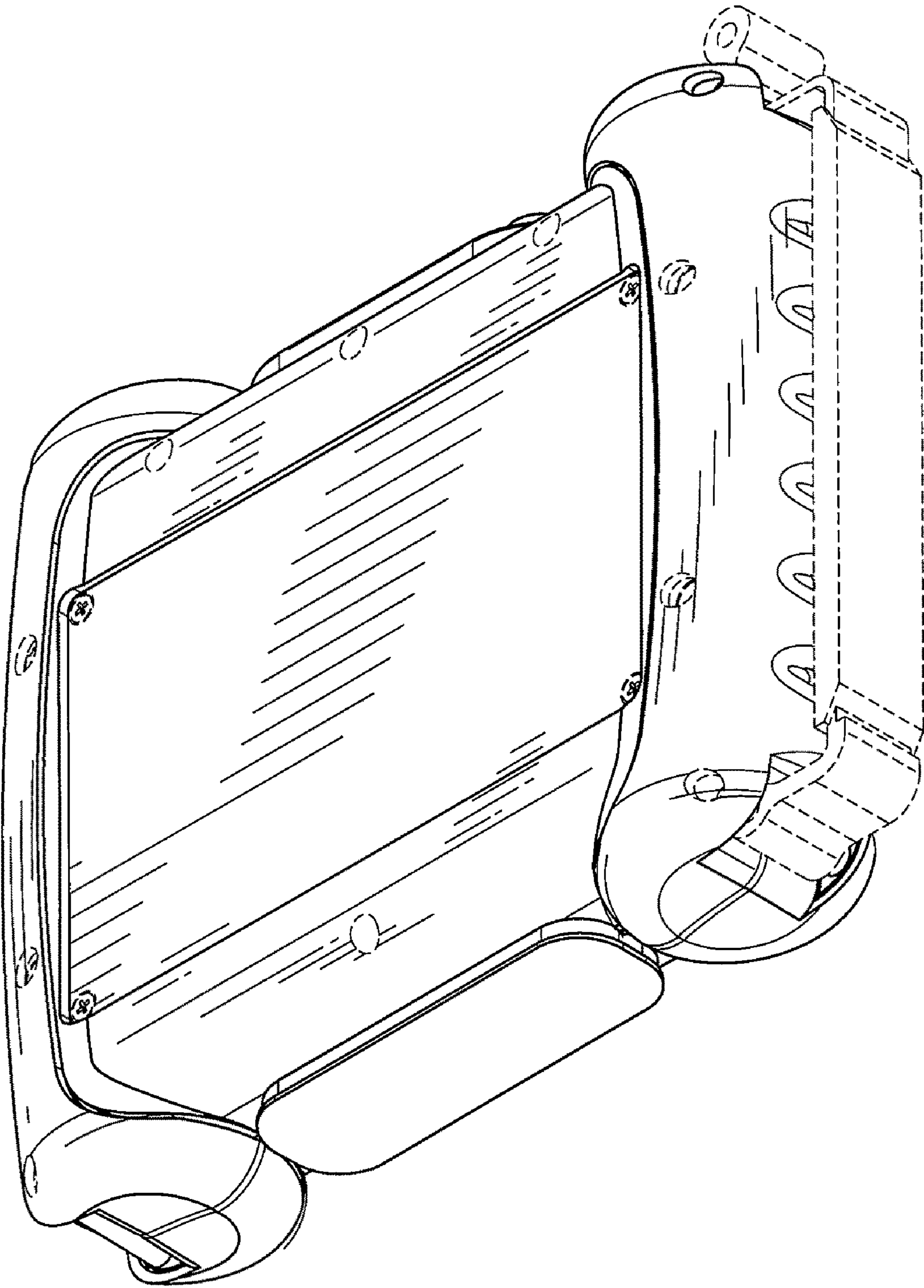


FIG. 2

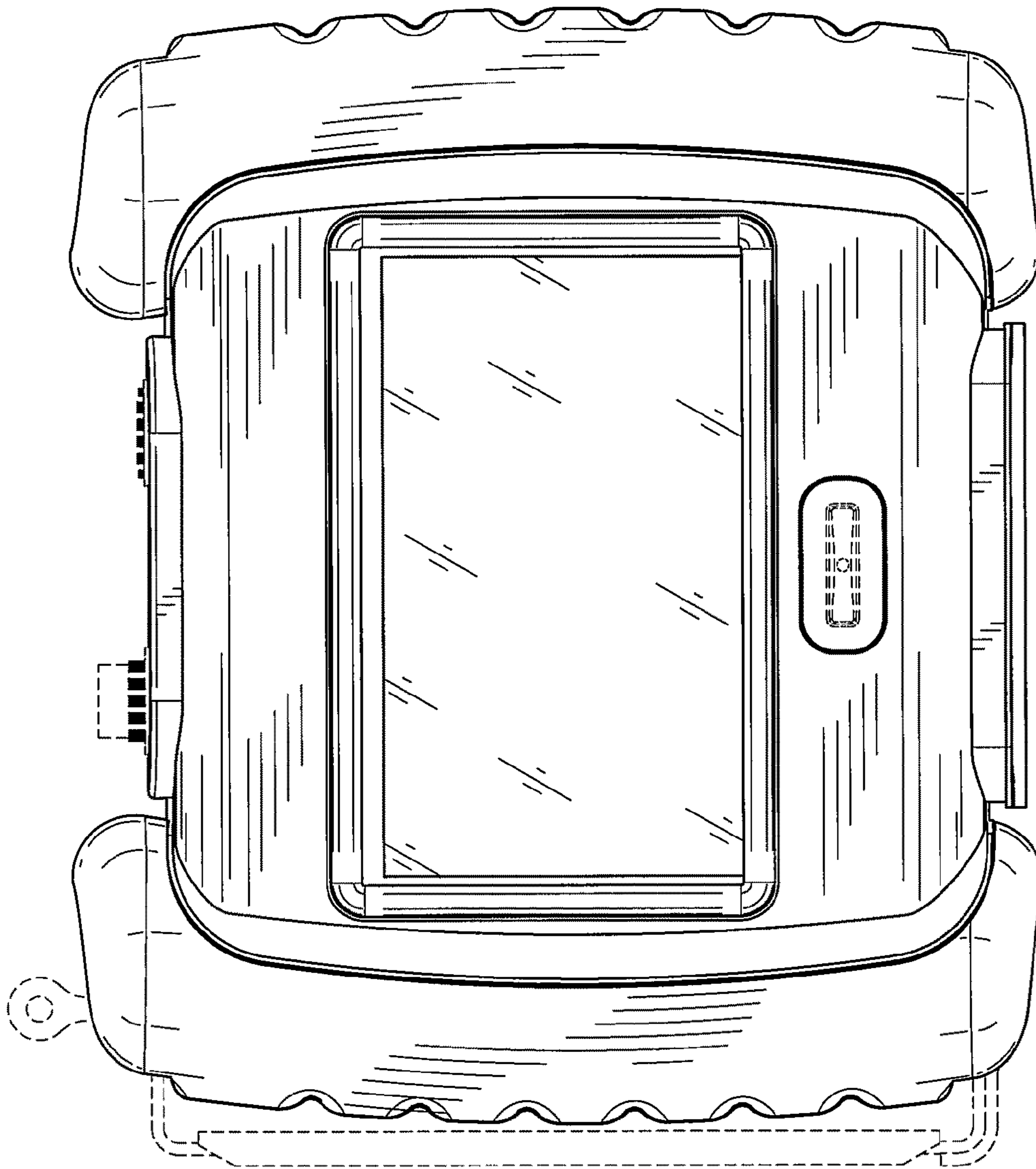


FIG. 4

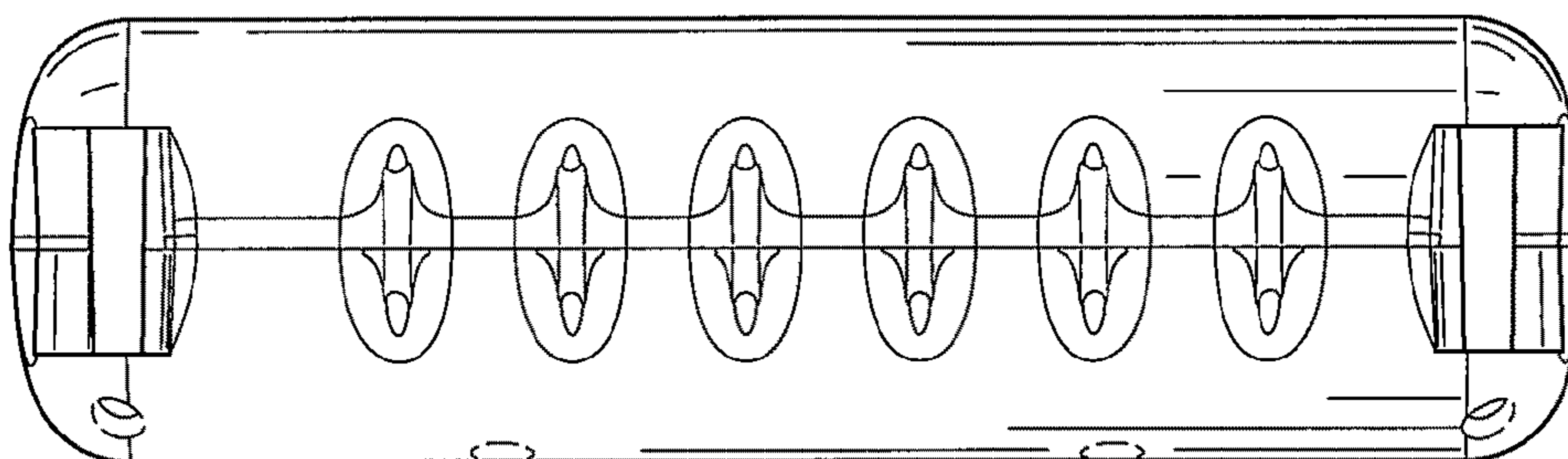


FIG. 3

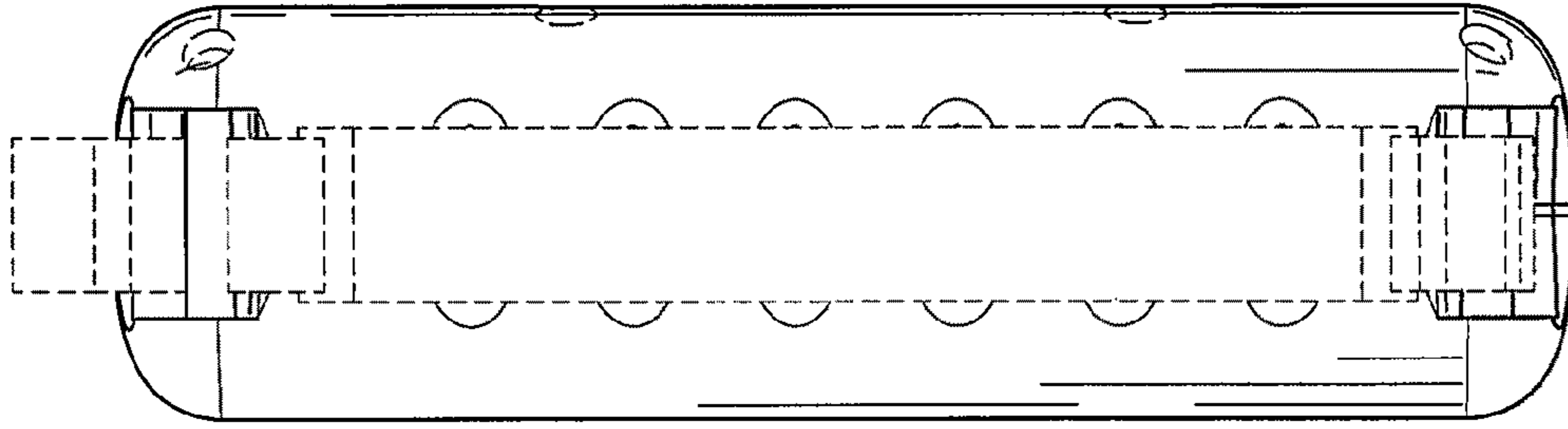


FIG. 6

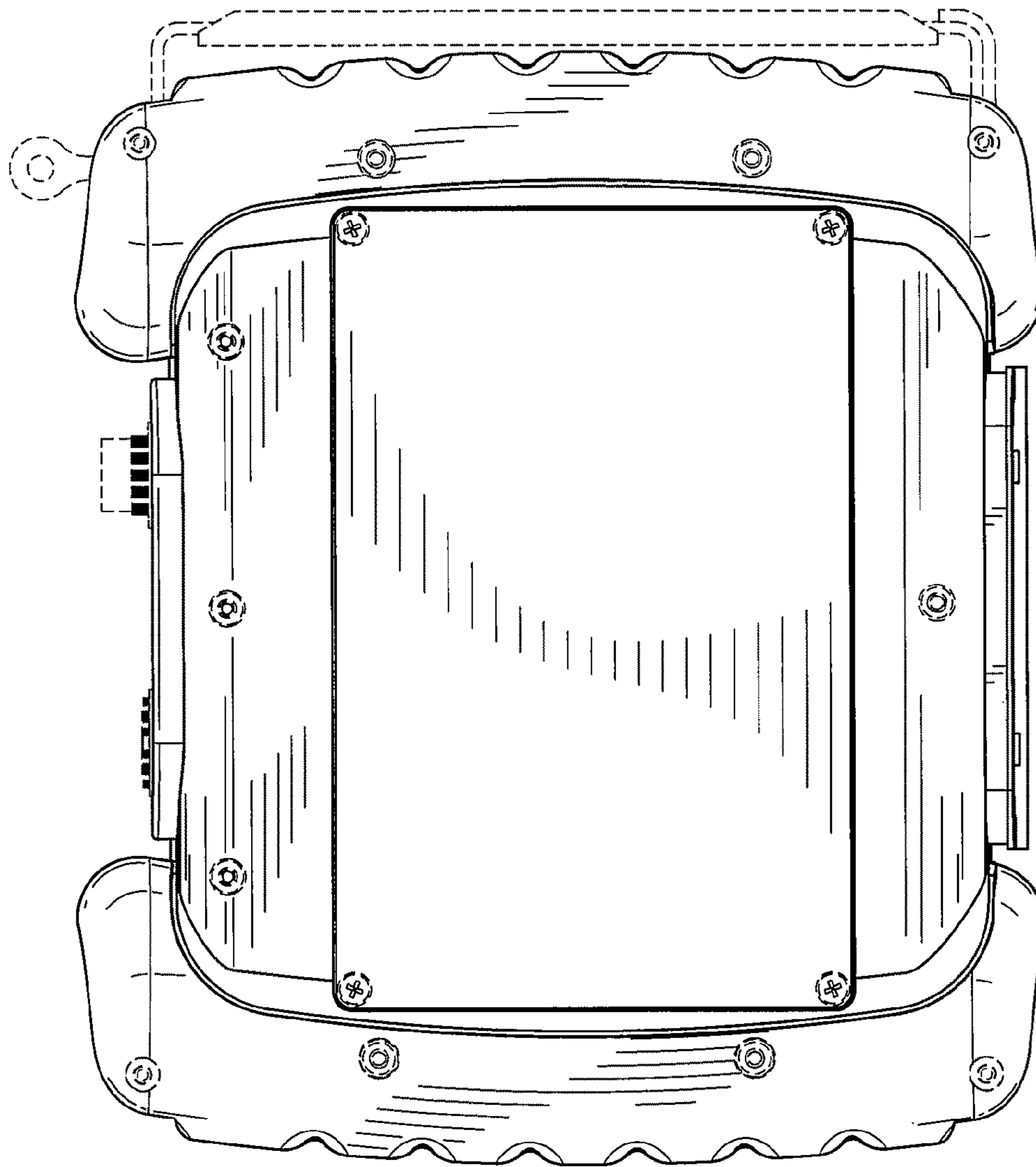


FIG. 5

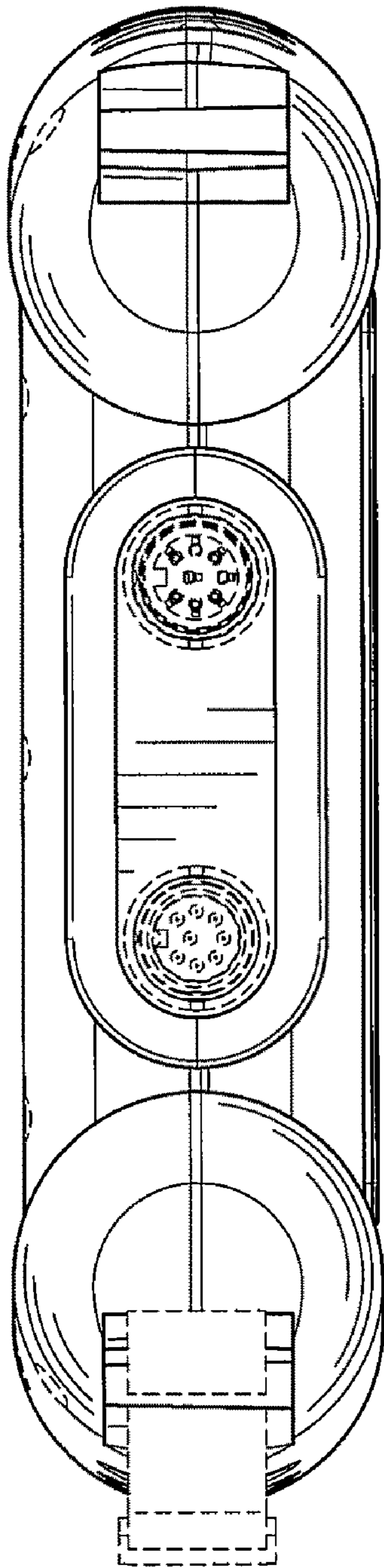


FIG. 7

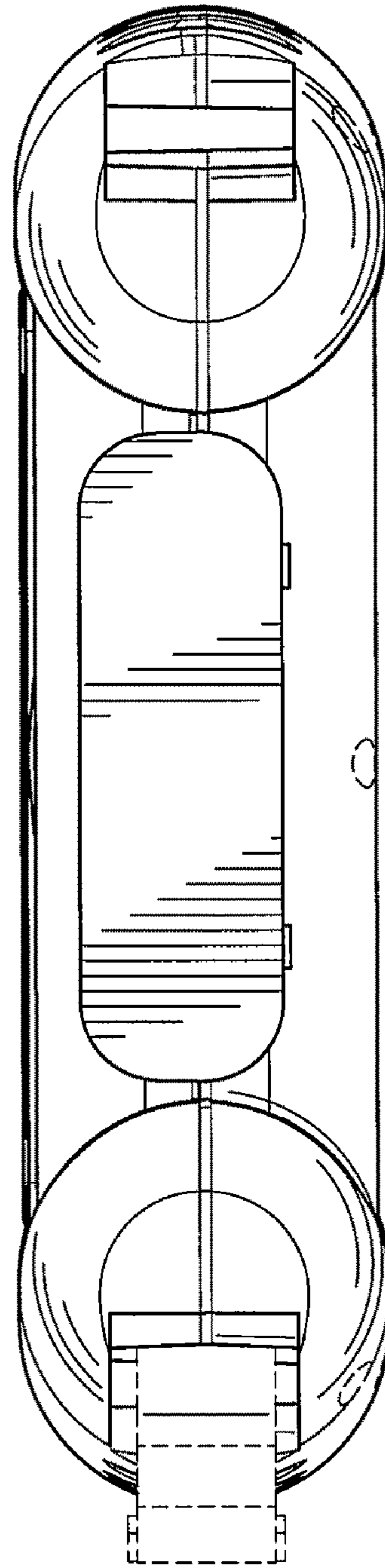


FIG. 8

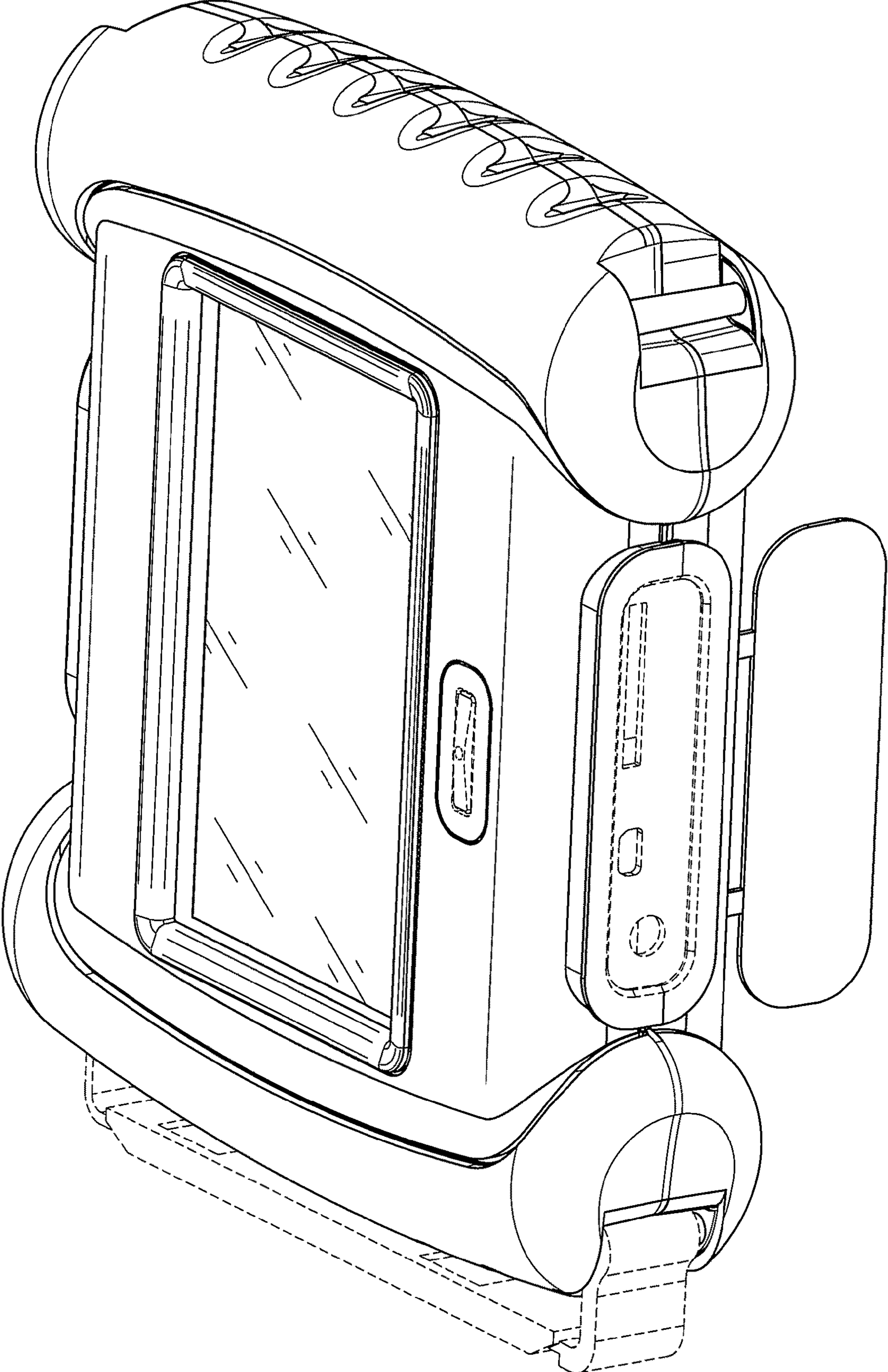


FIG. 9