



US00D652746S

(12) **United States Design Patent**  
**Lee et al.**

(10) **Patent No.:** **US D652,746 S**  
(45) **Date of Patent:** **\*\* Jan. 24, 2012**

(54) **MEASURING CUP**

(75) Inventors: **Stuart Harvey Lee**, Forest Hills, NY  
(US); **Jochen Schaepers**, New York, NY  
(US); **Christian von Heifner**, Brooklyn,  
NY (US)

(73) Assignee: **Robinson Home Products Inc.**,  
Buffalo, NY (US)

(\*\*) Term: **14 Years**

(21) Appl. No.: **29/397,738**

(22) Filed: **Jul. 20, 2011**

(51) **LOC (9) Cl.** ..... **10-04**

(52) **U.S. Cl.** ..... **D10/46.2**

(58) **Field of Classification Search** ..... D10/46.2,  
D10/46.3; D7/691, 692; 73/426-429; 30/324-328;  
294/55; 220/6

See application file for complete search history.

(56) **References Cited**

U.S. PATENT DOCUMENTS

D518,391 S \* 4/2006 McGuyer ..... D10/46.2  
D588,947 S \* 3/2009 Curtin ..... D10/46.2  
2005/0127073 A1\* 6/2005 Kusuma et al. .... 220/6  
\* cited by examiner

*Primary Examiner* — Terry Wallace

(74) *Attorney, Agent, or Firm* — Brian B. Shaw, Esq.;  
Stephen B. Salal, Esq.; Harter Secrest & Emery LLP

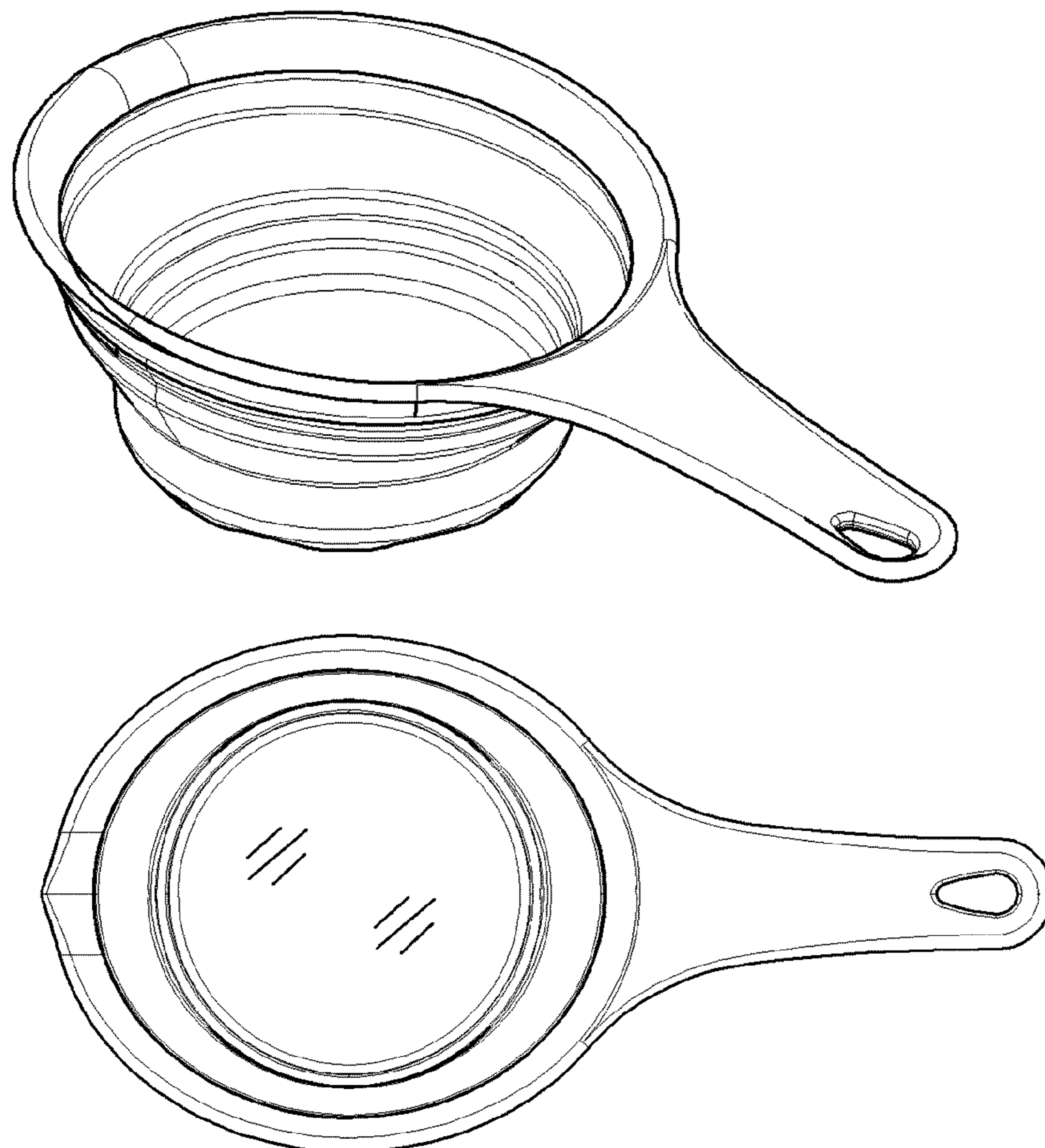
(57) **CLAIM**

The ornamental design for a measuring cup, as shown and described.

**DESCRIPTION**

FIG. 1 is a perspective view of a measuring cup.  
FIG. 2 is a top plan view of the measuring cup of FIG. 1.  
FIG. 3 is a front elevation view of the measuring cup of FIG. 1.  
FIG. 4 is a left elevation view of the measuring cup of FIG. 1.  
FIG. 5 is a rear elevation view of the measuring cup of FIG. 1.  
FIG. 6 is a right elevation view of the measuring cup of FIG. 1; and,  
FIG. 7 is a bottom plan view of the measuring cup of FIG. 1.

**1 Claim, 2 Drawing Sheets**



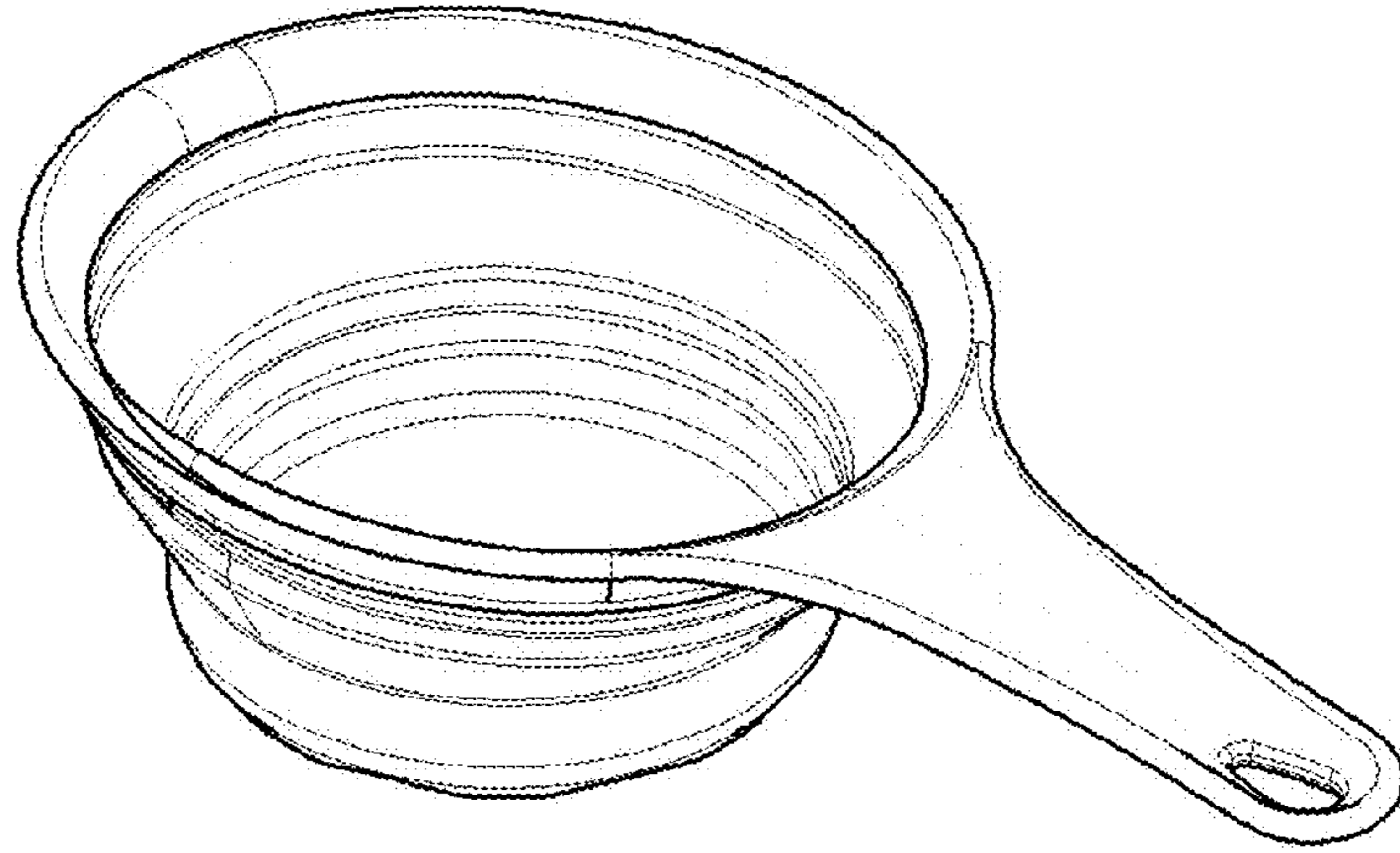


FIG. 1

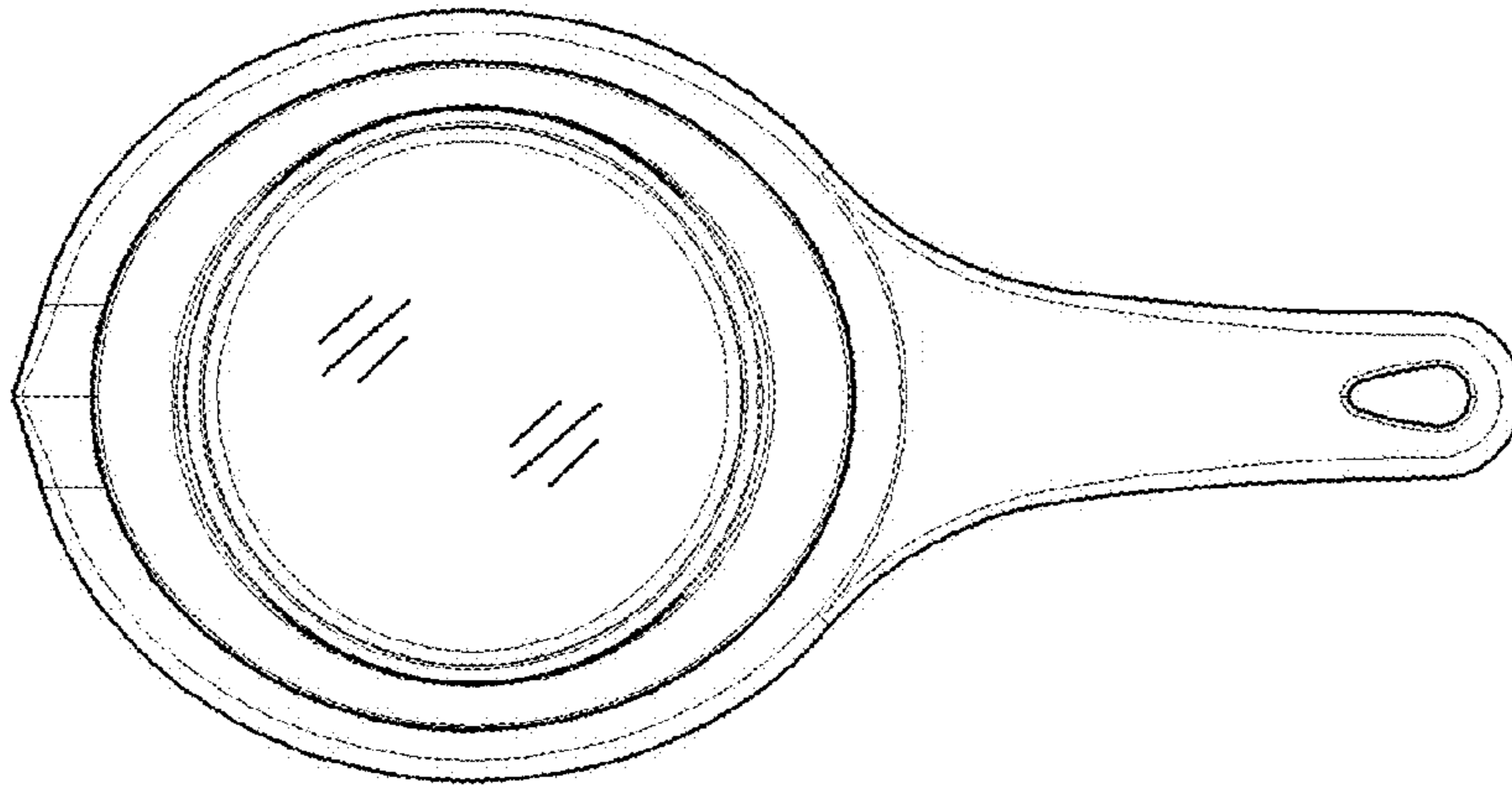


FIG. 2

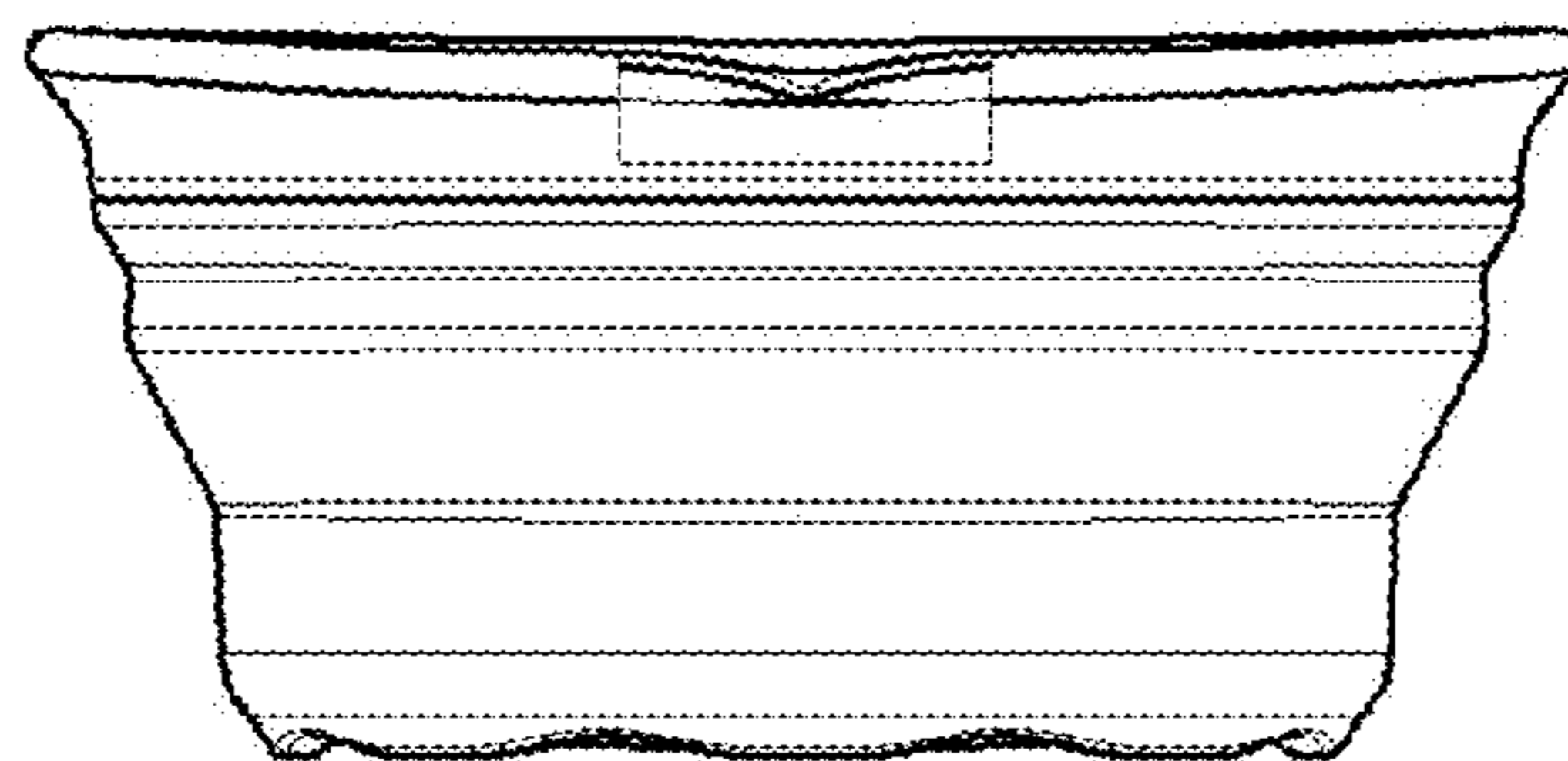


FIG. 3

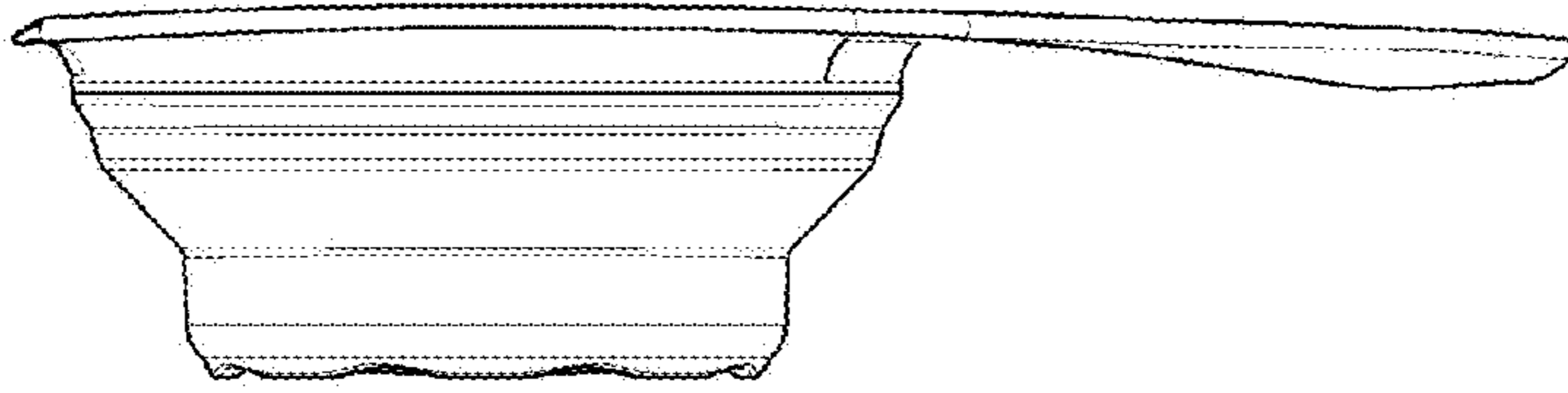


FIG. 4

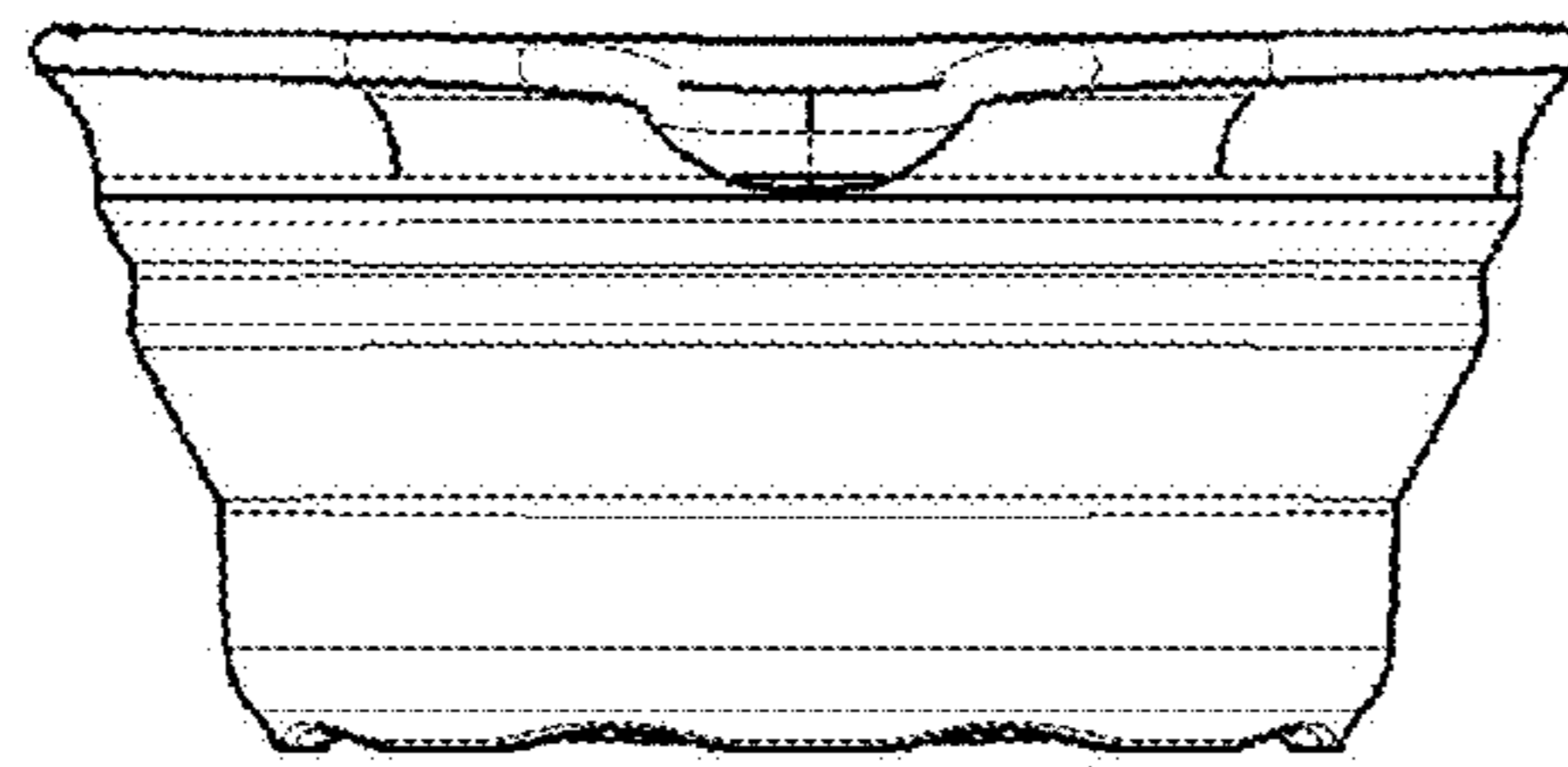


FIG. 5

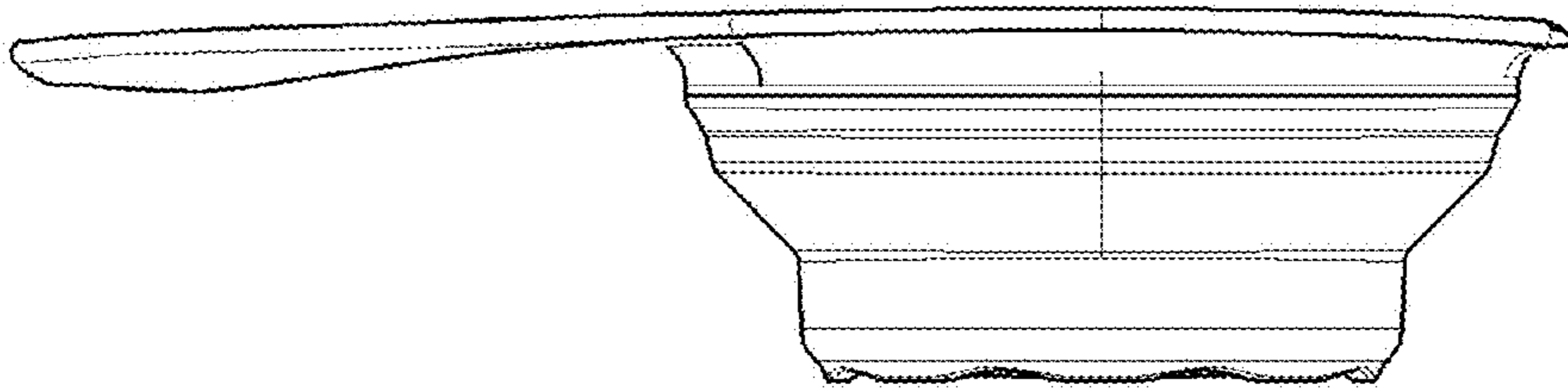


FIG. 6

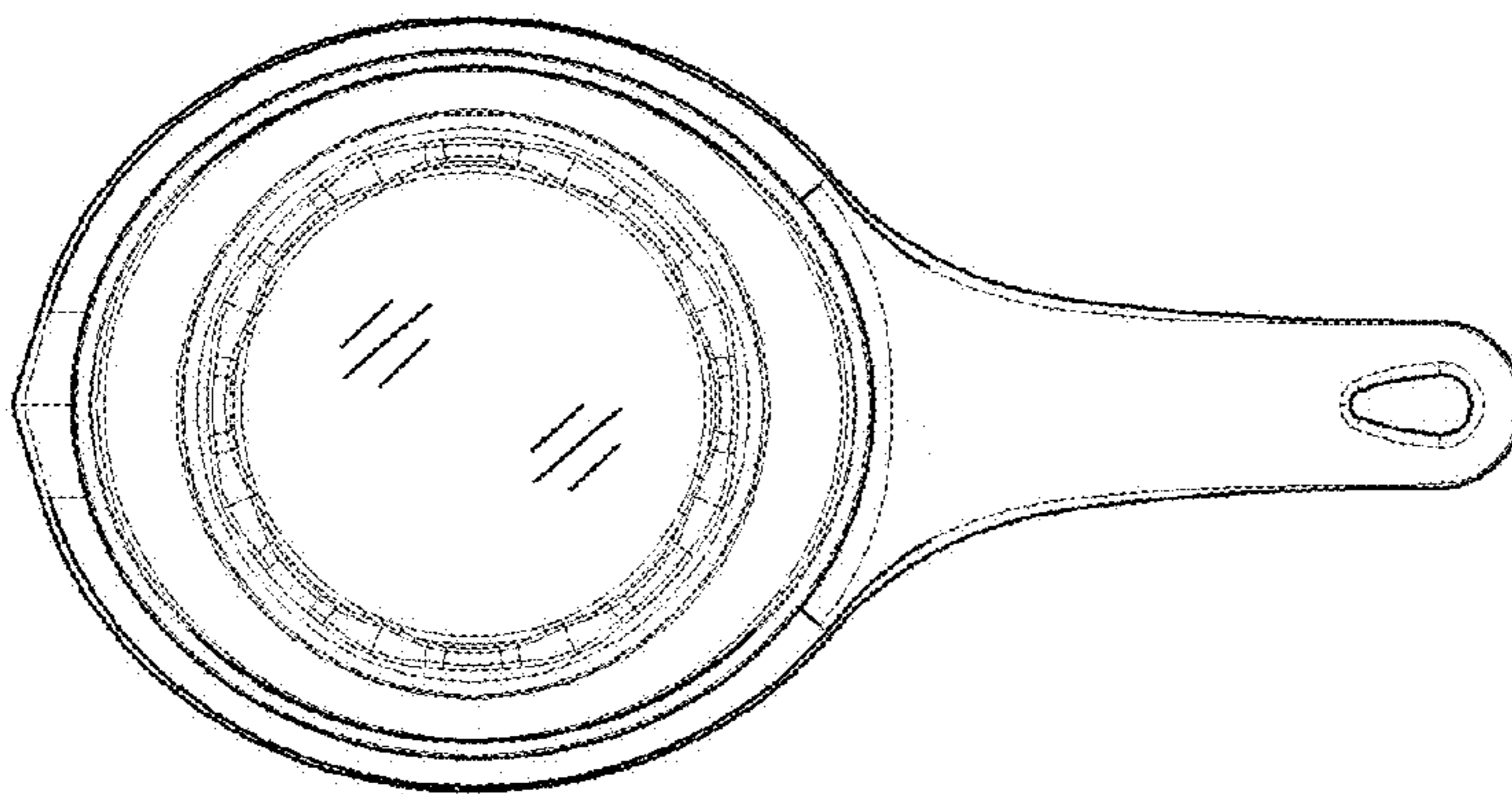


FIG. 7