



US00D652745S

(12) **United States Design Patent**
Lee et al.

(10) **Patent No.:** **US D652,745 S**
(45) **Date of Patent:** **** Jan. 24, 2012**

(54) **LIQUID MEASURING CUP**

(75) Inventors: **Stuart Harvey Lee**, Forest Hills, NY (US); **Jochen Schaeppers**, New York, NY (US); **Christian von Heifner**, Brooklyn, NY (US)

(73) Assignee: **Robinson Home Products Inc.**, Buffalo, NY (US)

(**) Term: **14 Years**

(21) Appl. No.: **29/397,735**

(22) Filed: **Jul. 20, 2011**

(51) **LOC (9) Cl.** **10-04**

(52) **U.S. Cl.** **D10/46.2**

(58) **Field of Classification Search** D10/46.2,
D10/46.3; 294/55; 73/426-429; D7/312,
D7/314, 316; 220/6, 8

See application file for complete search history.

(56) **References Cited**

U.S. PATENT DOCUMENTS

3,490,290 A * 1/1970 Bilson 73/427
5,439,128 A * 8/1995 Fishman 220/8
5,575,398 A * 11/1996 Robbins, III 220/8
D404,663 S * 1/1999 Prindle D10/46.2
D522,313 S * 6/2006 Oyler et al. D7/543

D562,159 S * 2/2008 Griffith et al. D10/46.2
D577,615 S * 9/2008 Markfelder D10/46.2
D580,799 S * 11/2008 Curtin D10/46.2
2005/0127073 A1 * 6/2005 Kusuma et al. 220/6

* cited by examiner

Primary Examiner — Terry Wallace

(74) *Attorney, Agent, or Firm* — Brian B. Shaw, Esq.;
Stephen B. Salai, Esq.; Harter Secrest & Emery LLP

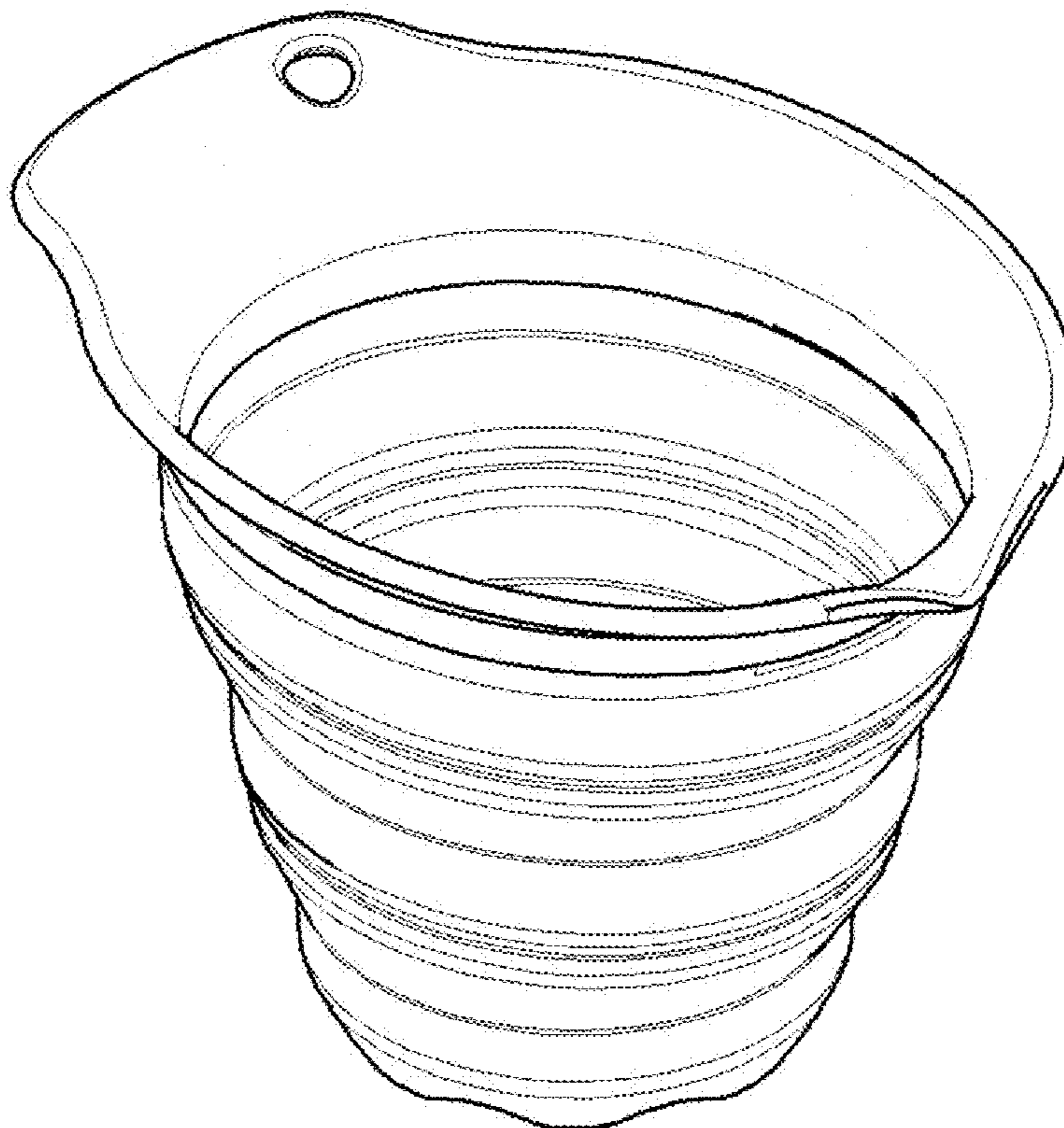
(57) **CLAIM**

The ornamental design for a liquid measuring cup, as shown and described.

DESCRIPTION

FIG. 1 is a perspective view of a liquid measuring cup.
FIG. 2 is a top plan view of the liquid measuring cup of FIG. 1.
FIG. 3 is a rear elevation view of the liquid measuring cup of FIG. 1.
FIG. 4 is a left elevation view of the liquid measuring cup of FIG. 1.
FIG. 5 is a front elevation view of the liquid measuring cup of FIG. 1.
FIG. 6 is a right elevation view of the liquid measuring cup of FIG. 1; and,
FIG. 7 is a bottom plan view of the liquid measuring cup of FIG. 1.

1 Claim, 4 Drawing Sheets



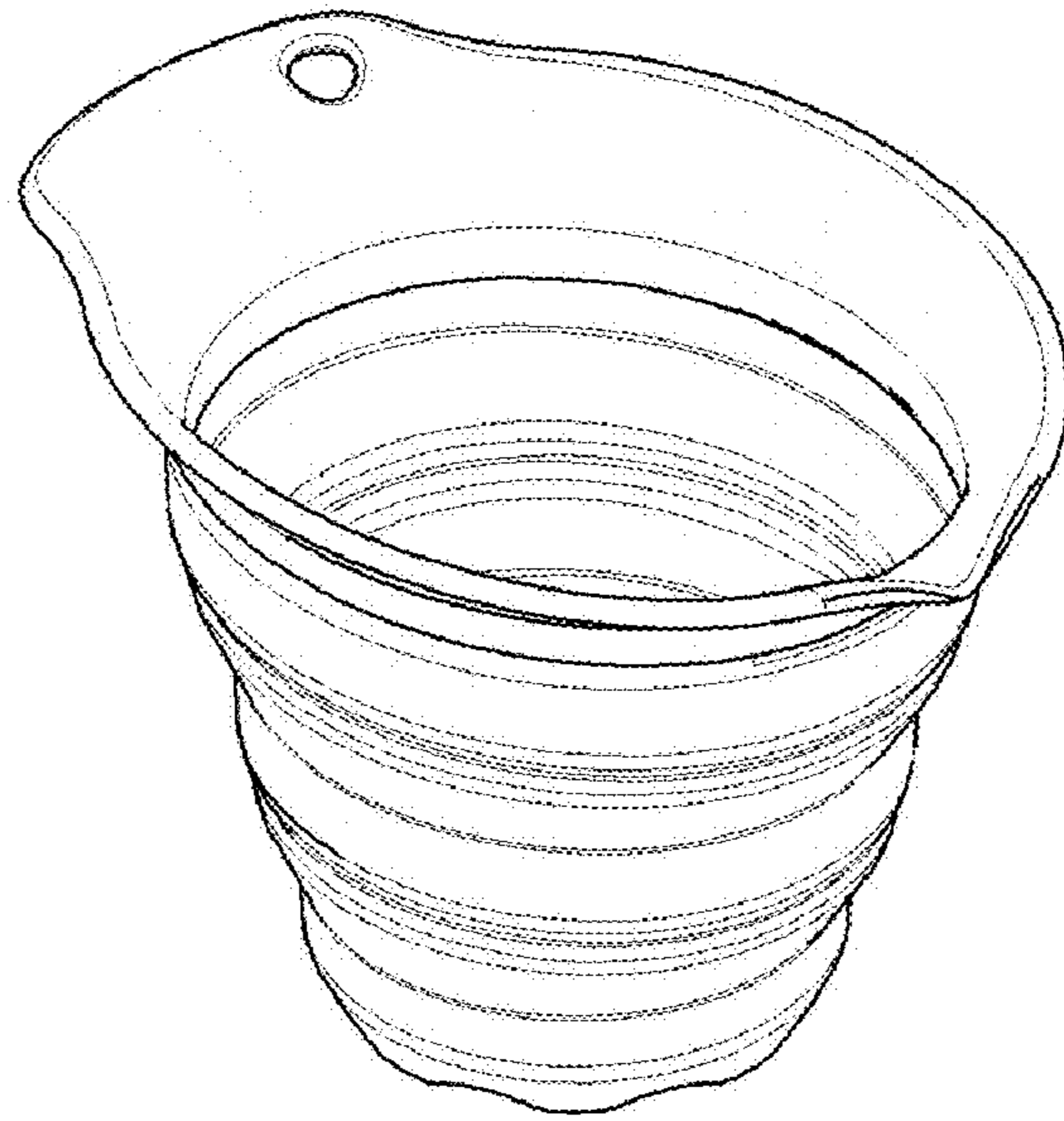


FIG. 1

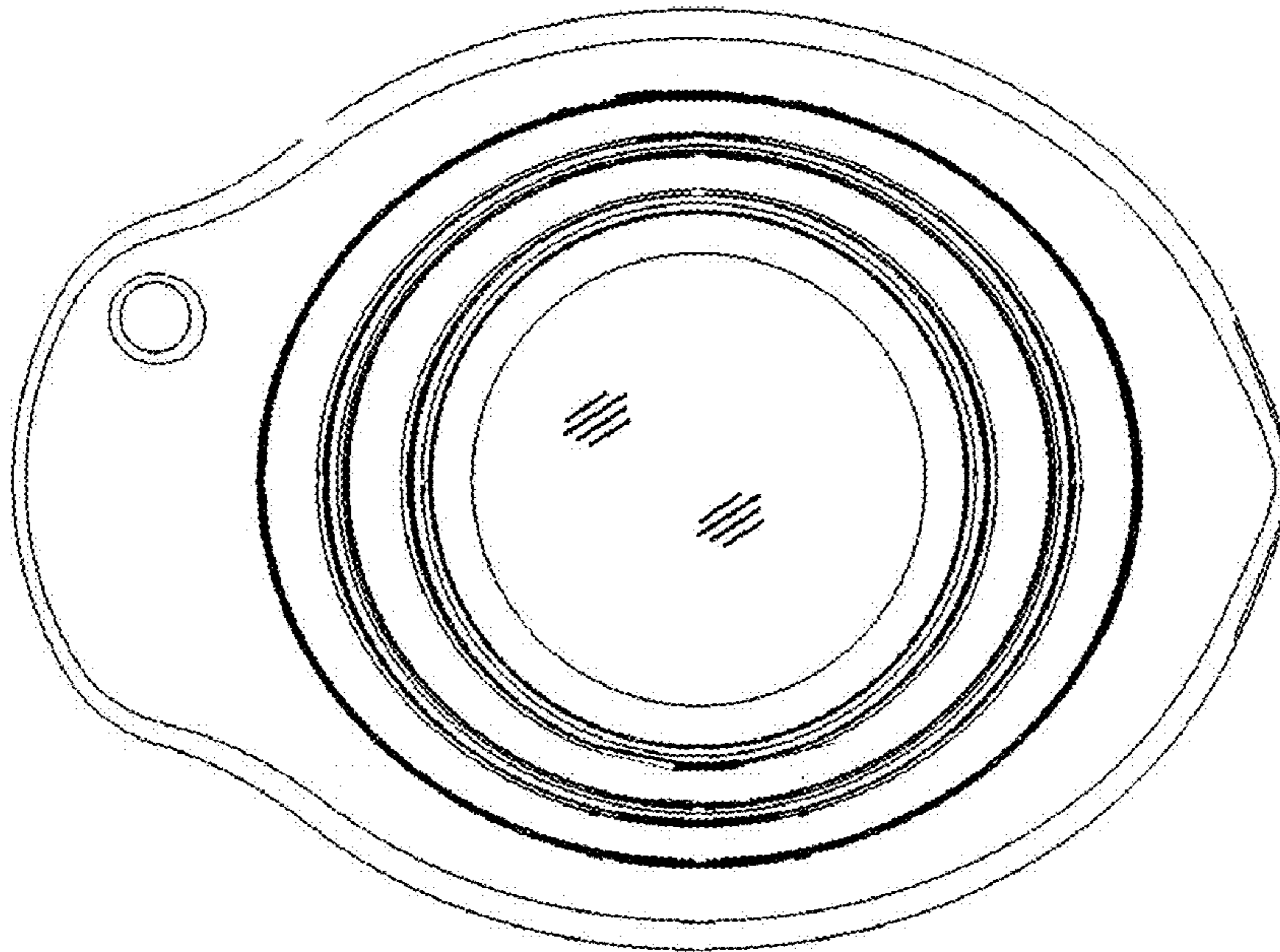


FIG. 2

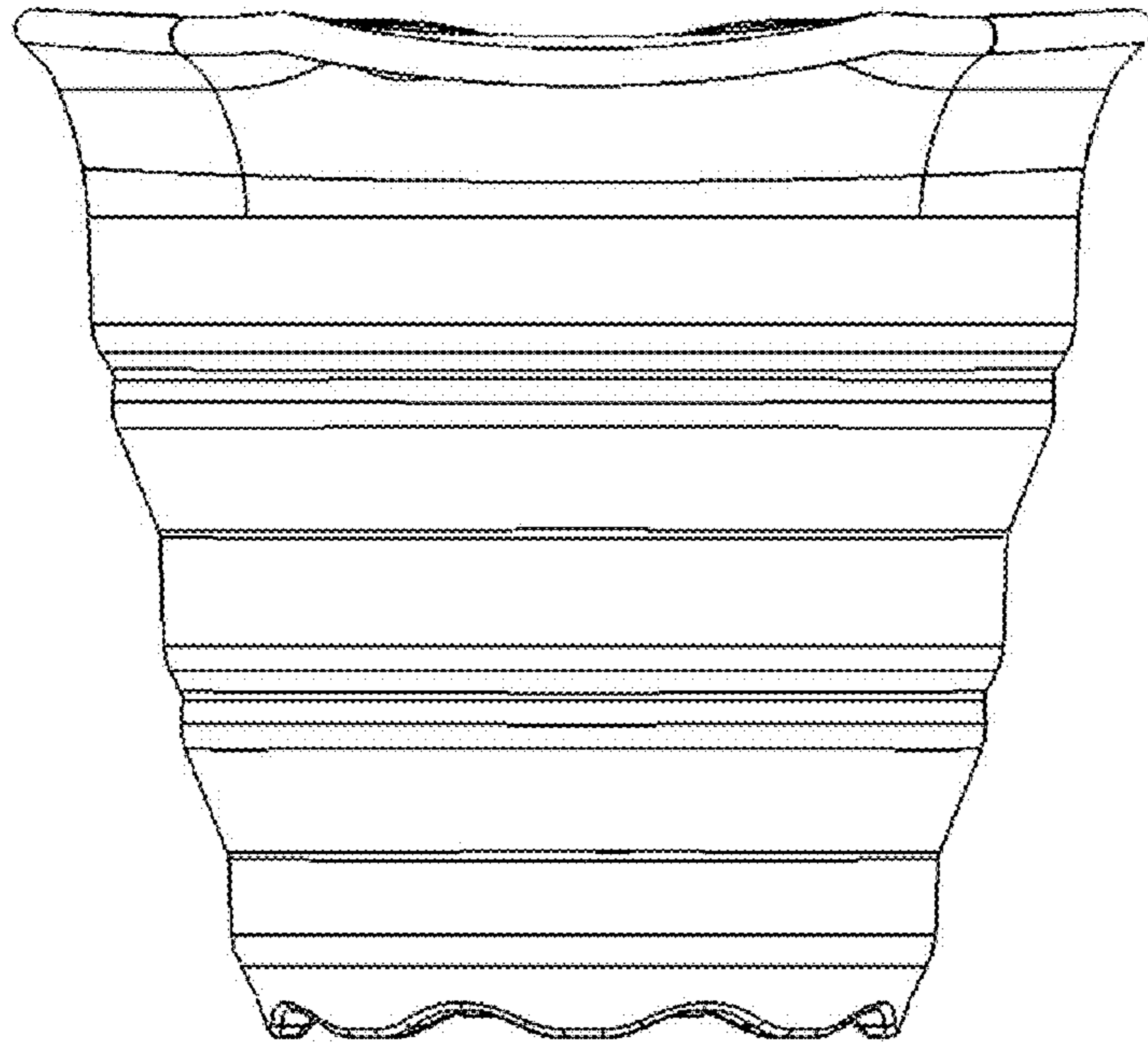


FIG. 3

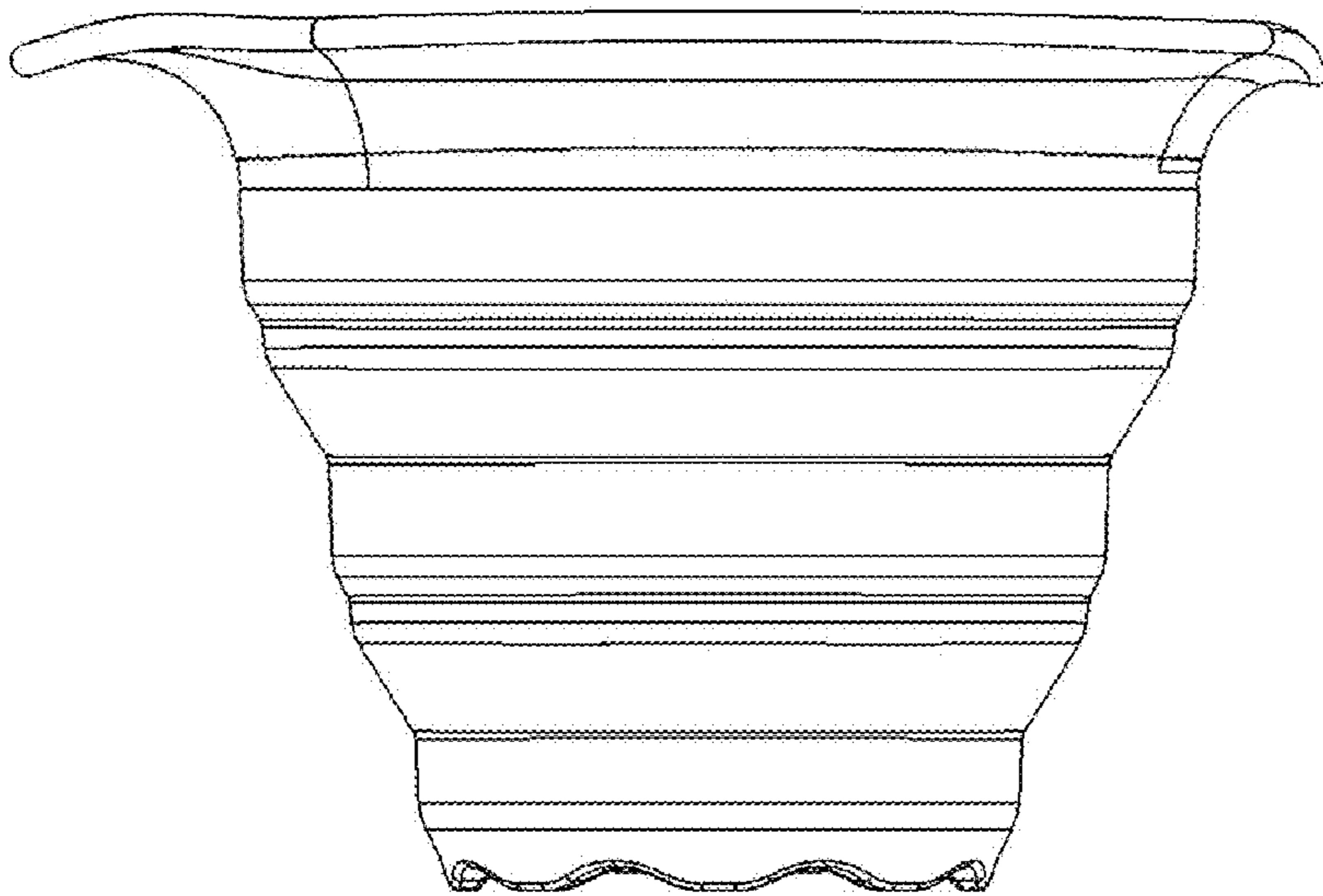


FIG. 4

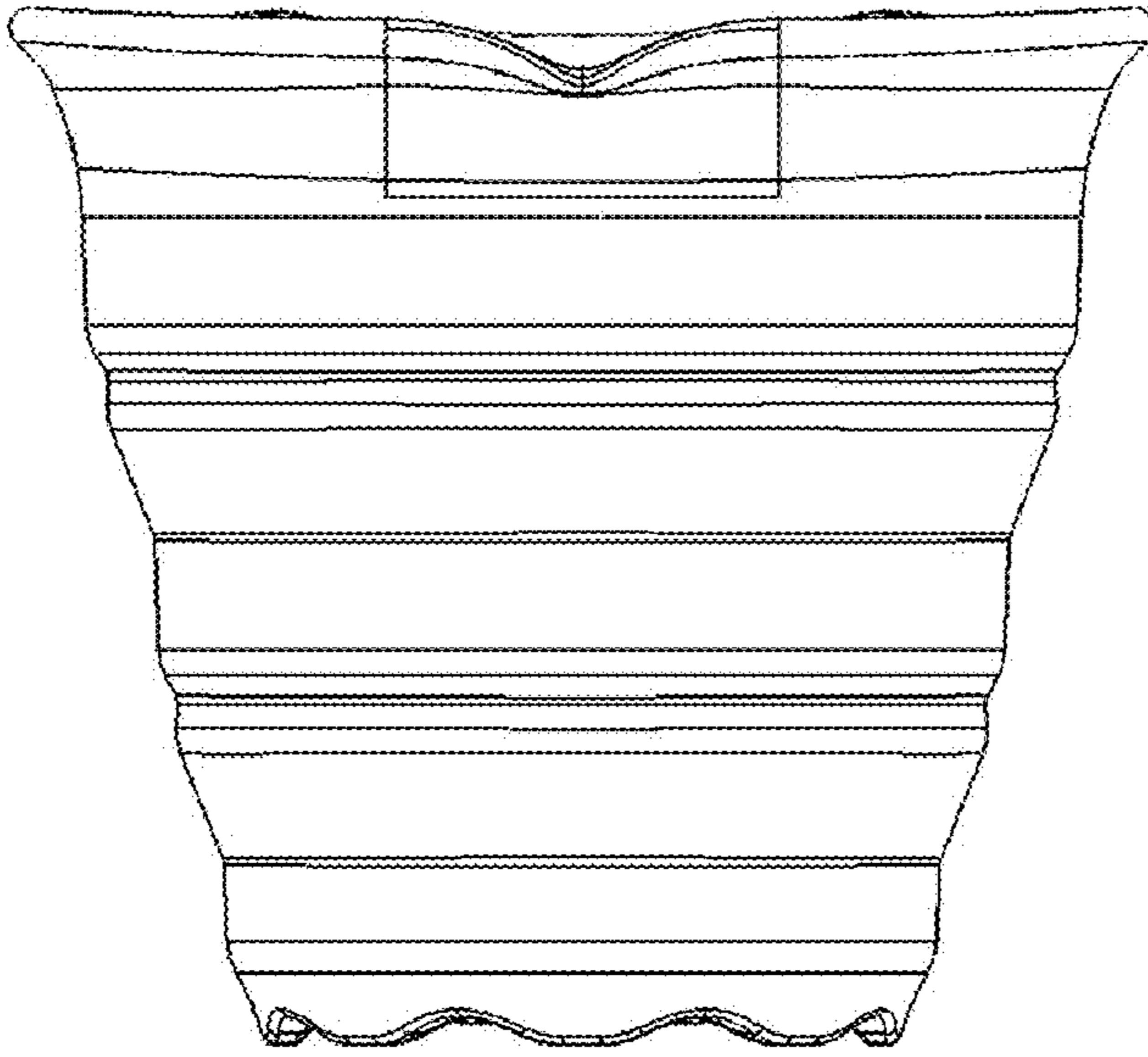


FIG. 5

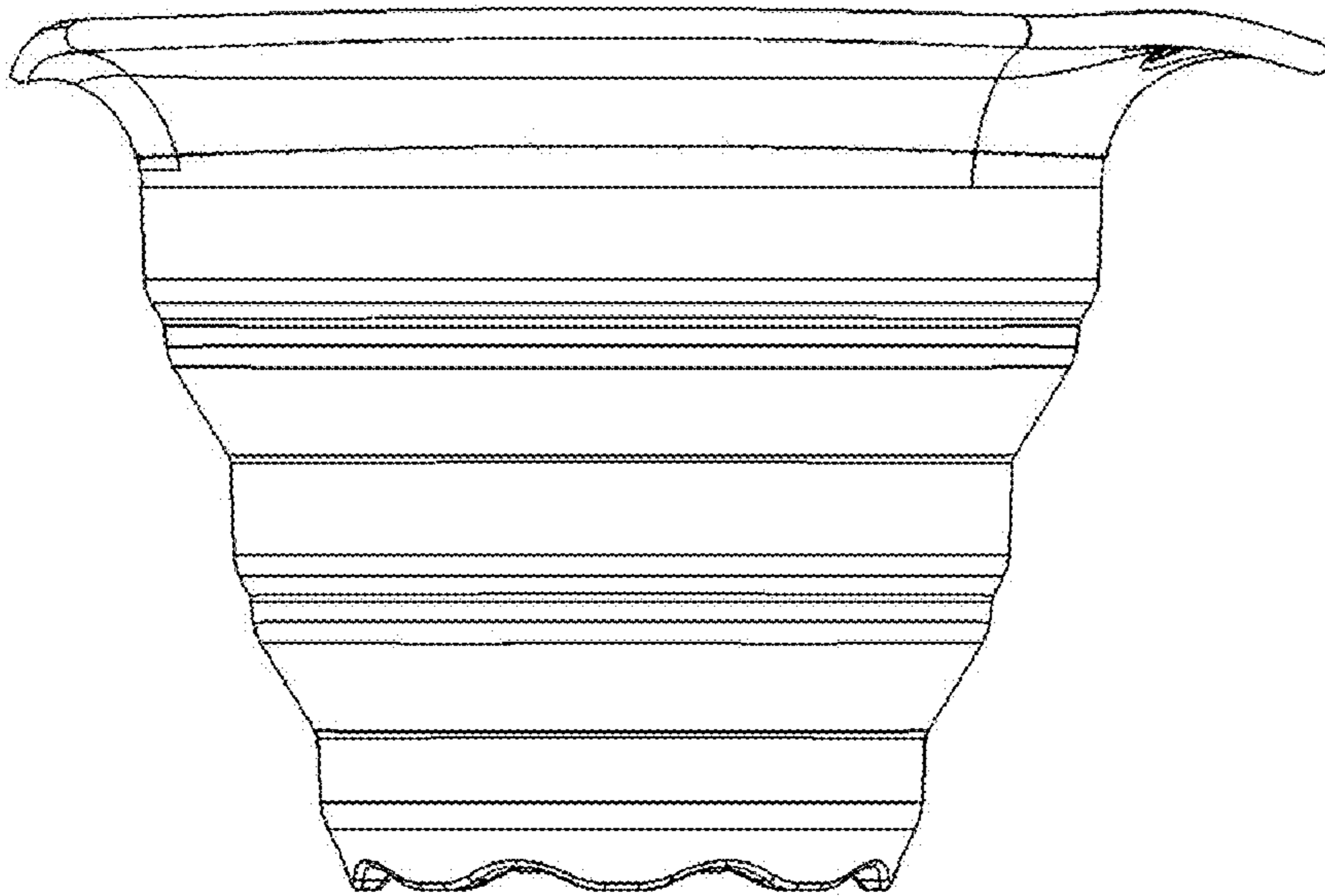


FIG. 6

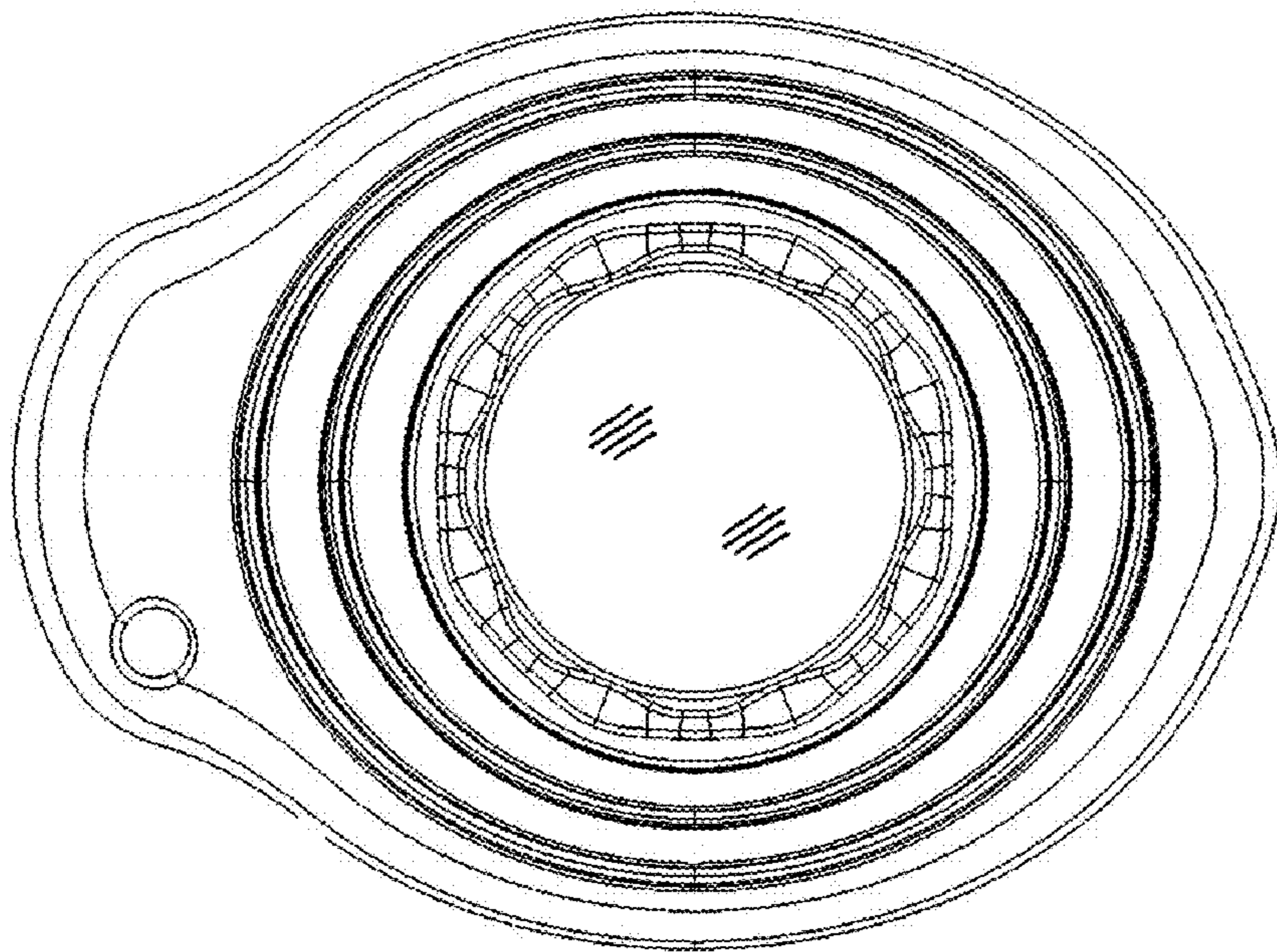


FIG. 7