



US00D652743S

(12) **United States Design Patent**
Pilz

(10) **Patent No.:** **US D652,743 S**
(45) **Date of Patent:** **** Jan. 24, 2012**

- (54) **CLOCK**
 - (76) Inventor: **Olaf Pilz**, Amtsgericht München (DE)
 - (**) Term: **14 Years**
 - (21) Appl. No.: **29/383,819**
 - (22) Filed: **Jan. 21, 2011**
 - (51) **LOC (9) Cl.** **10-01**
 - (52) **U.S. Cl.** **D10/22**
 - (58) **Field of Classification Search** D10/1-29;
368/276, 277, 286, 316, 317
- See application file for complete search history.

Primary Examiner — Lucy Lieberman
(74) *Attorney, Agent, or Firm* — QuickPatents, Inc.; Kevin Prince

(57) **CLAIM**

The ornamental design for a clock, as shown and described.

DESCRIPTION

FIG. 1 is a perspective view of a clock, showing the new design;
 FIG. 2 is an exploded perspective view thereof;
 FIG. 3 is a front elevational view of the clock shown in an assembled condition;
 FIG. 4 is a rear elevational view of the clock shown in the assembled condition;
 FIG. 5 is an exploded left-side elevational view thereof, the right-side elevational view being a mirror image thereof;
 FIG. 6 is a top plan view of the clock shown in the assembled condition, the bottom, left and right side views of the assembled clock are the same; and,
 FIG. 7 is a rear perspective view of the clock shown in the assembled condition.

The broken lines in the figures depict environmental matter, and form no part of the claimed design.

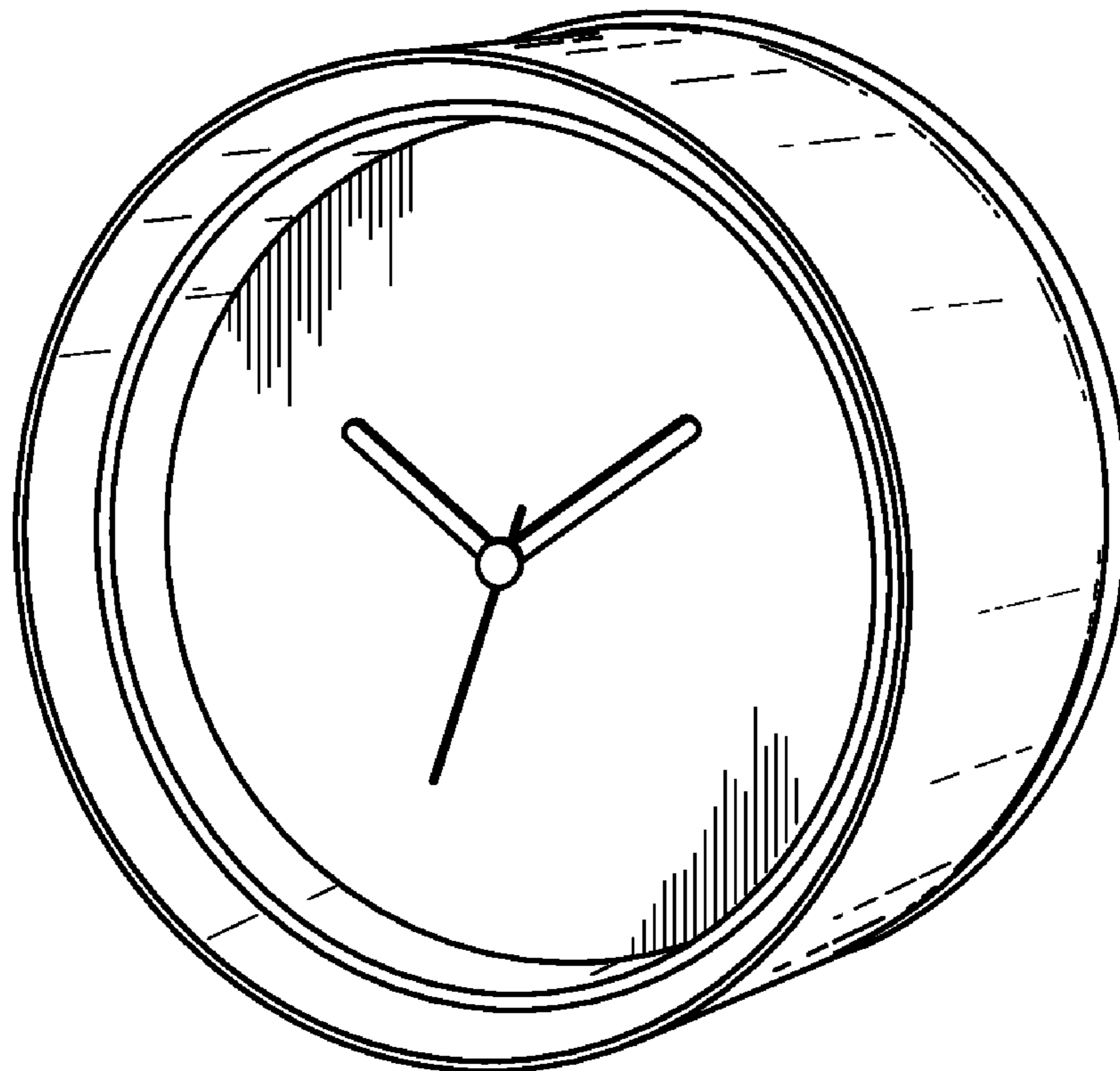
(56) **References Cited**

U.S. PATENT DOCUMENTS

D50,988 S *	7/1917	Hoche	D10/2
D61,170 S *	7/1922	Macomber	D10/22
D91,086 S *	11/1933	Rainbault	D10/1
D115,553 S *	7/1939	Harris	D10/22
D147,361 S *	8/1947	Bentzinger	D10/22
D279,764 S *	7/1985	Rhoades	D10/23
D330,678 S *	11/1992	Prudhomme	D10/23
D416,814 S *	11/1999	Welsh	D10/31
D442,092 S *	5/2001	Liao	D10/22
D543,870 S *	6/2007	Bhavnani	D10/23
D553,511 S *	10/2007	Sacca	D10/22
D592,974 S *	5/2009	Hinton	D10/6
D601,041 S *	9/2009	Yadon et al.	D10/2
D614,510 S *	4/2010	Cooney	D10/22
D622,162 S *	8/2010	Yen et al.	D10/2

* cited by examiner

1 Claim, 4 Drawing Sheets



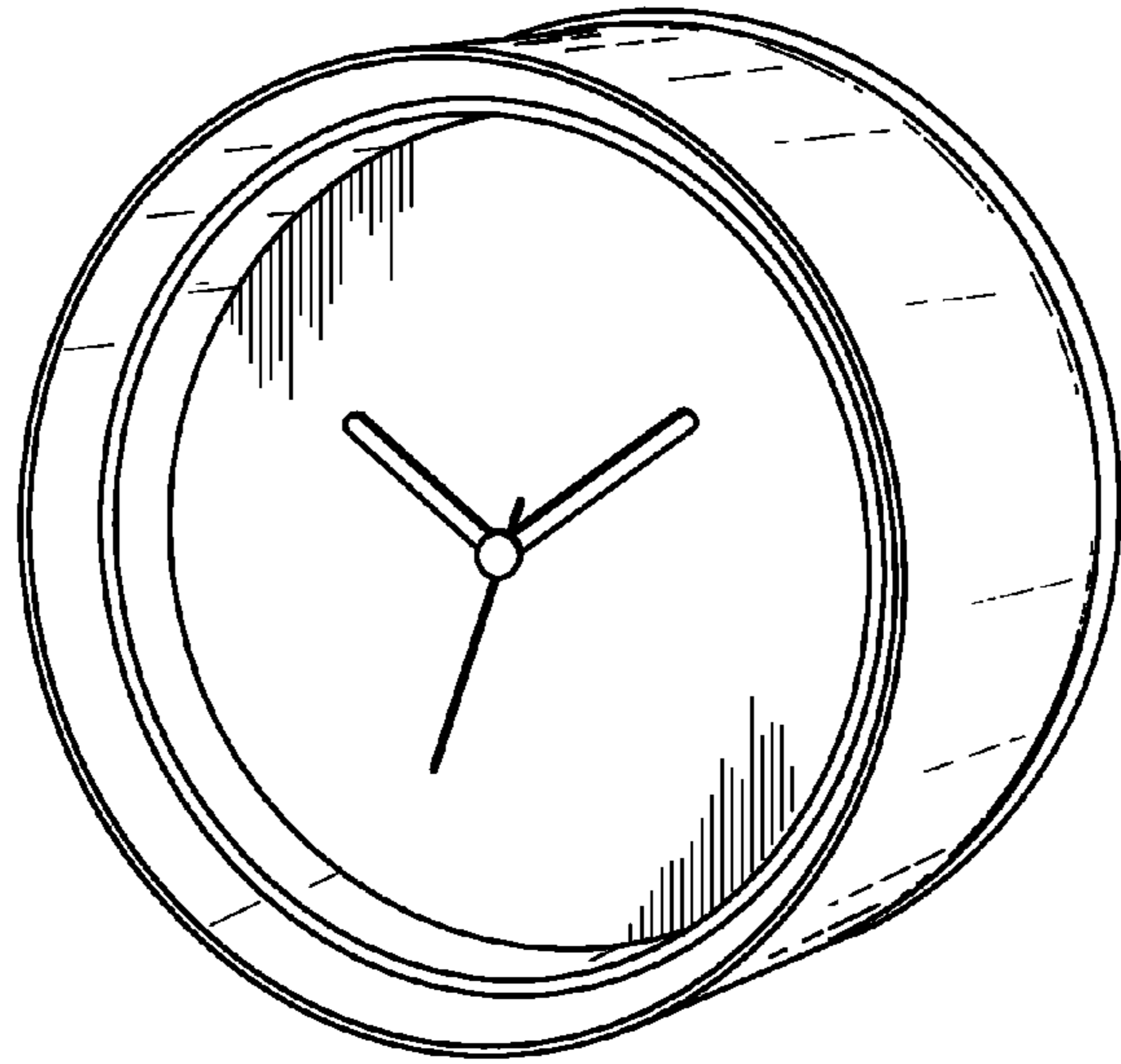


FIG. 1

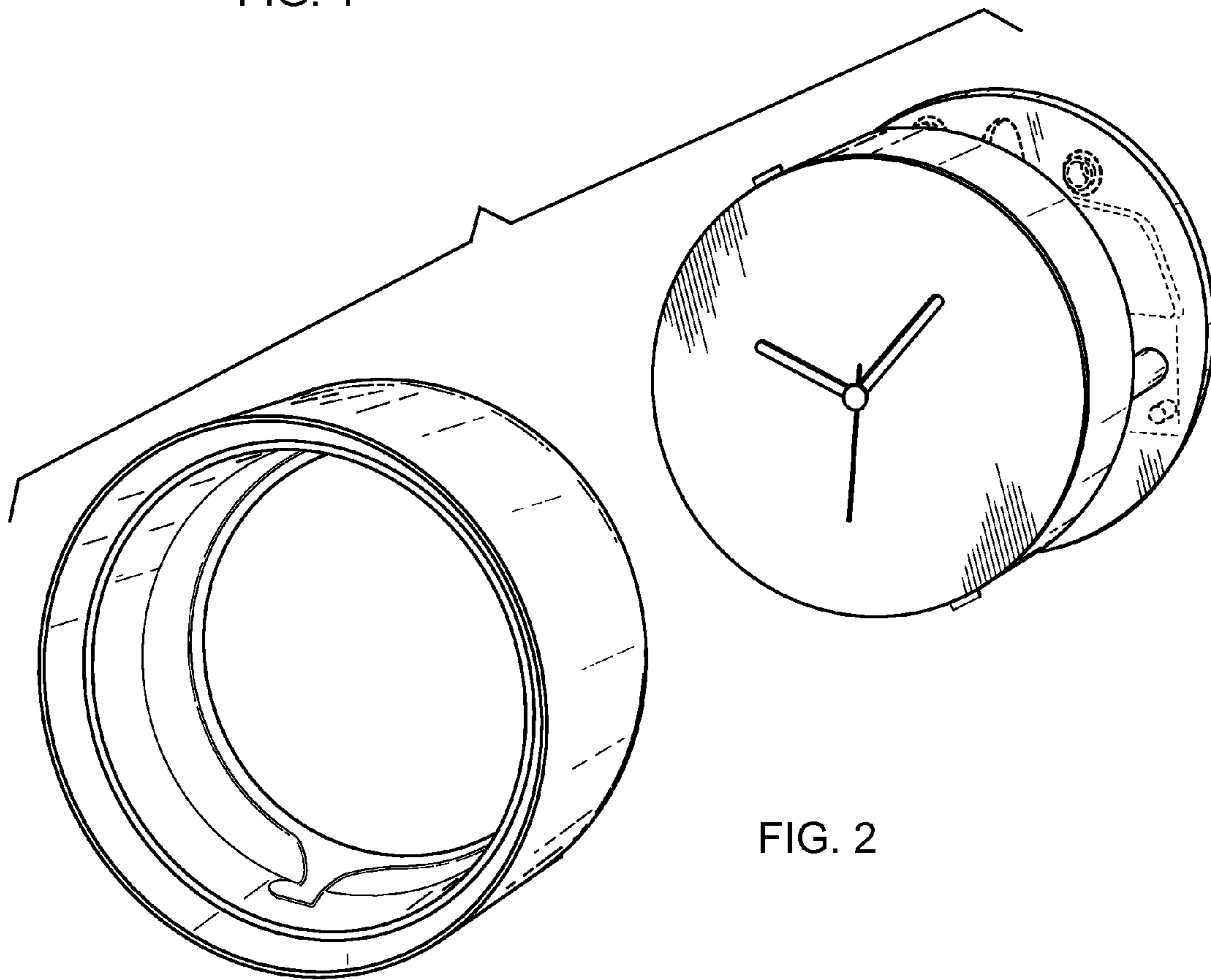


FIG. 2

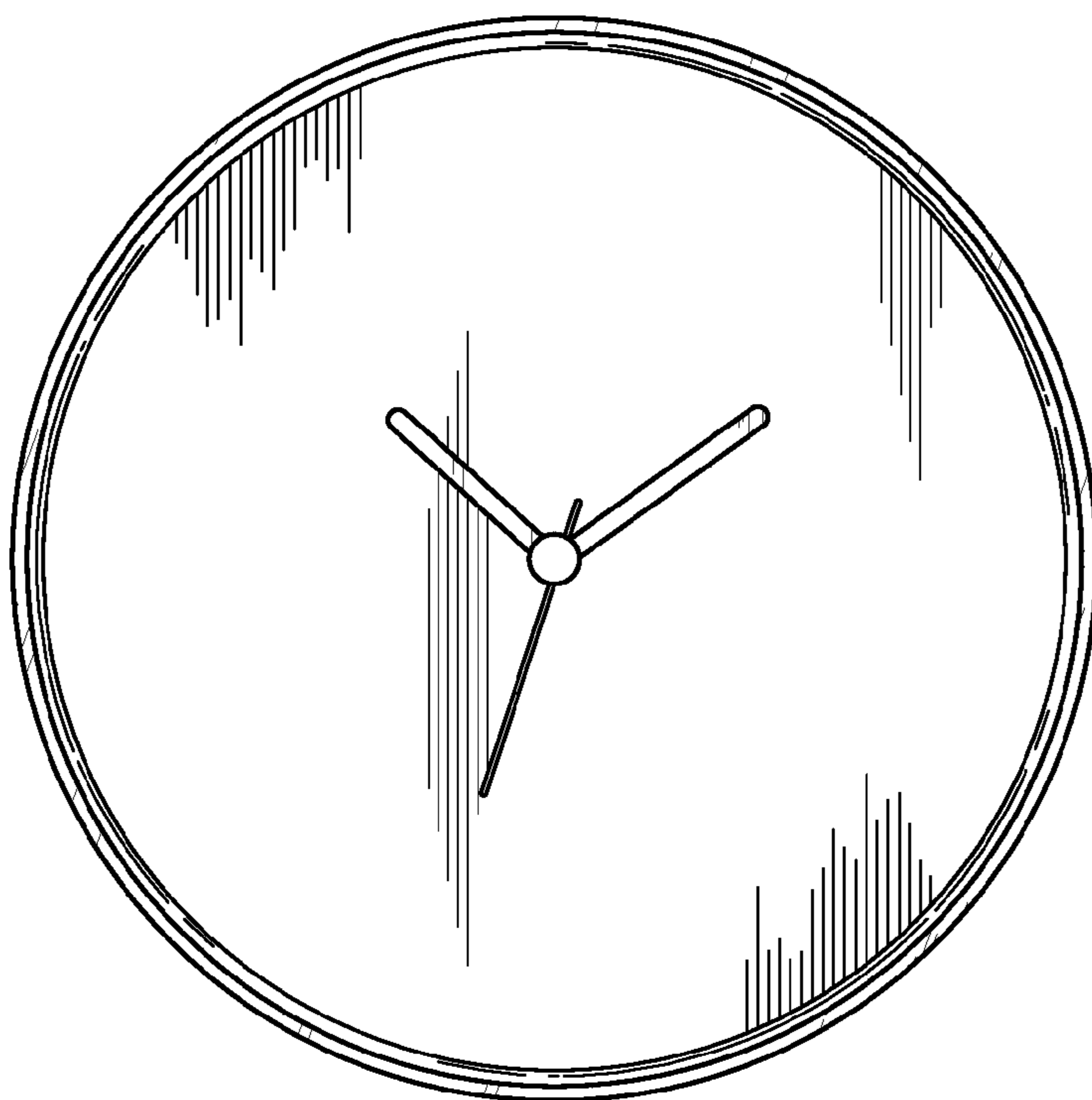


FIG. 3

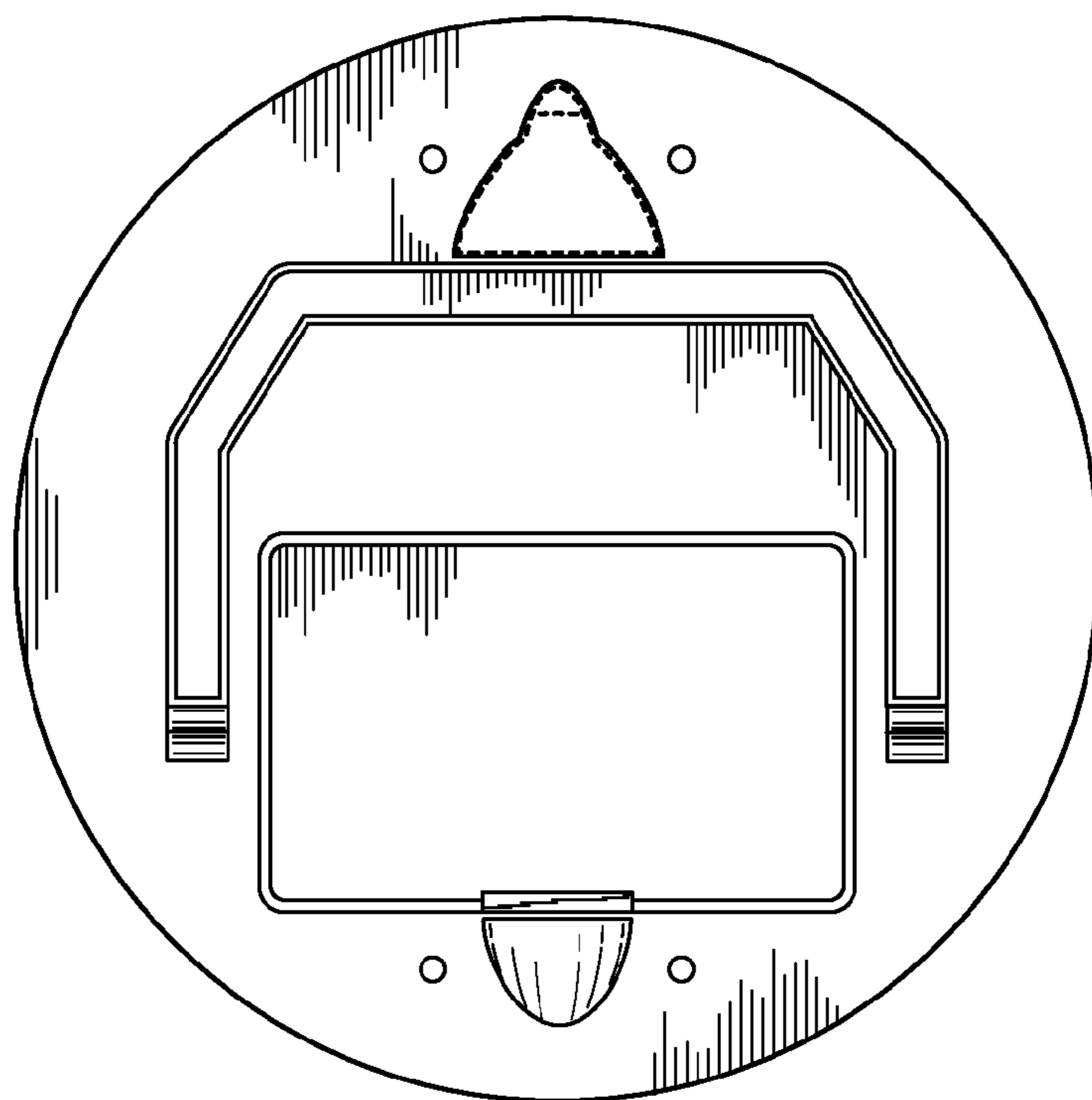


FIG. 4

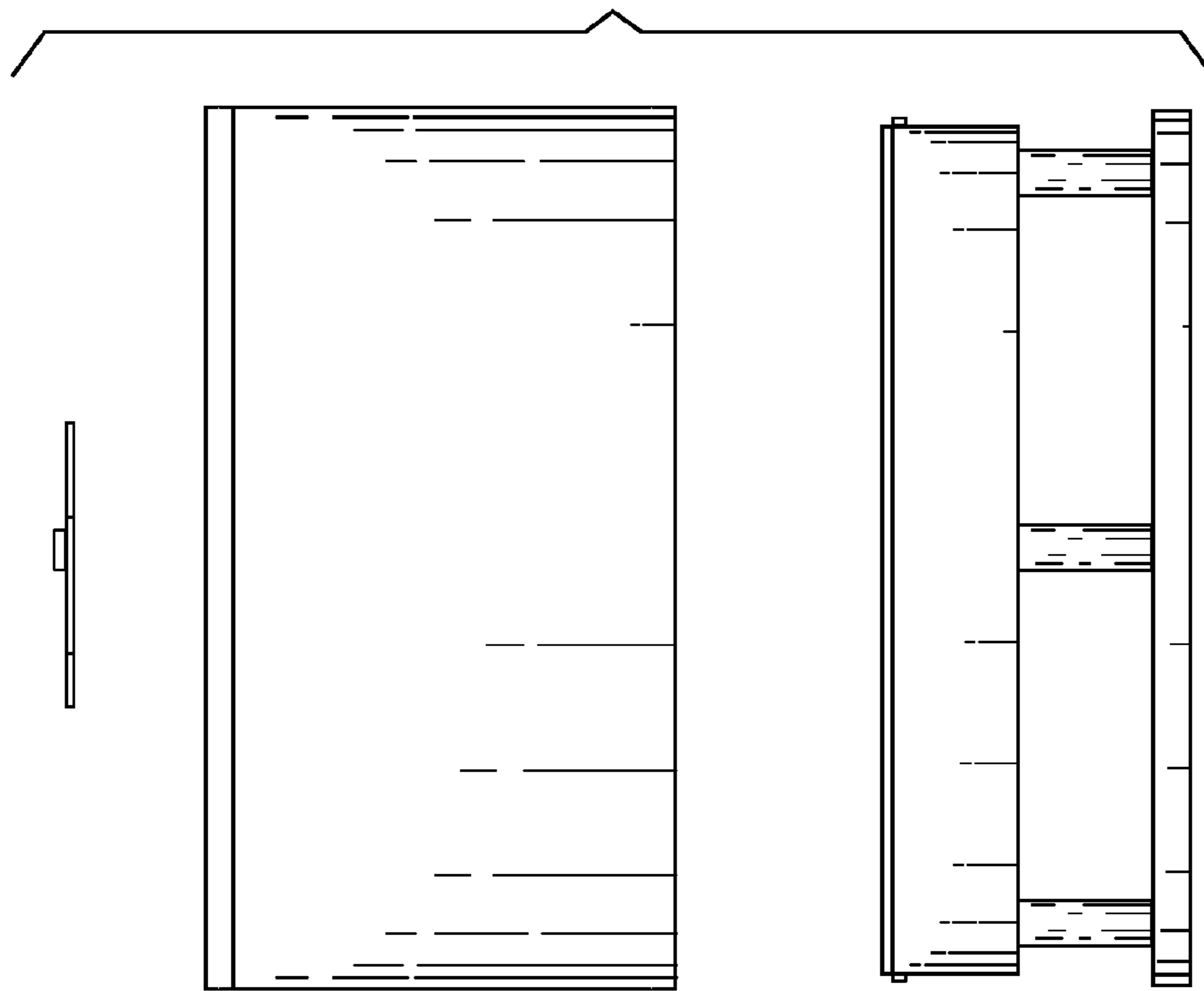


FIG. 5

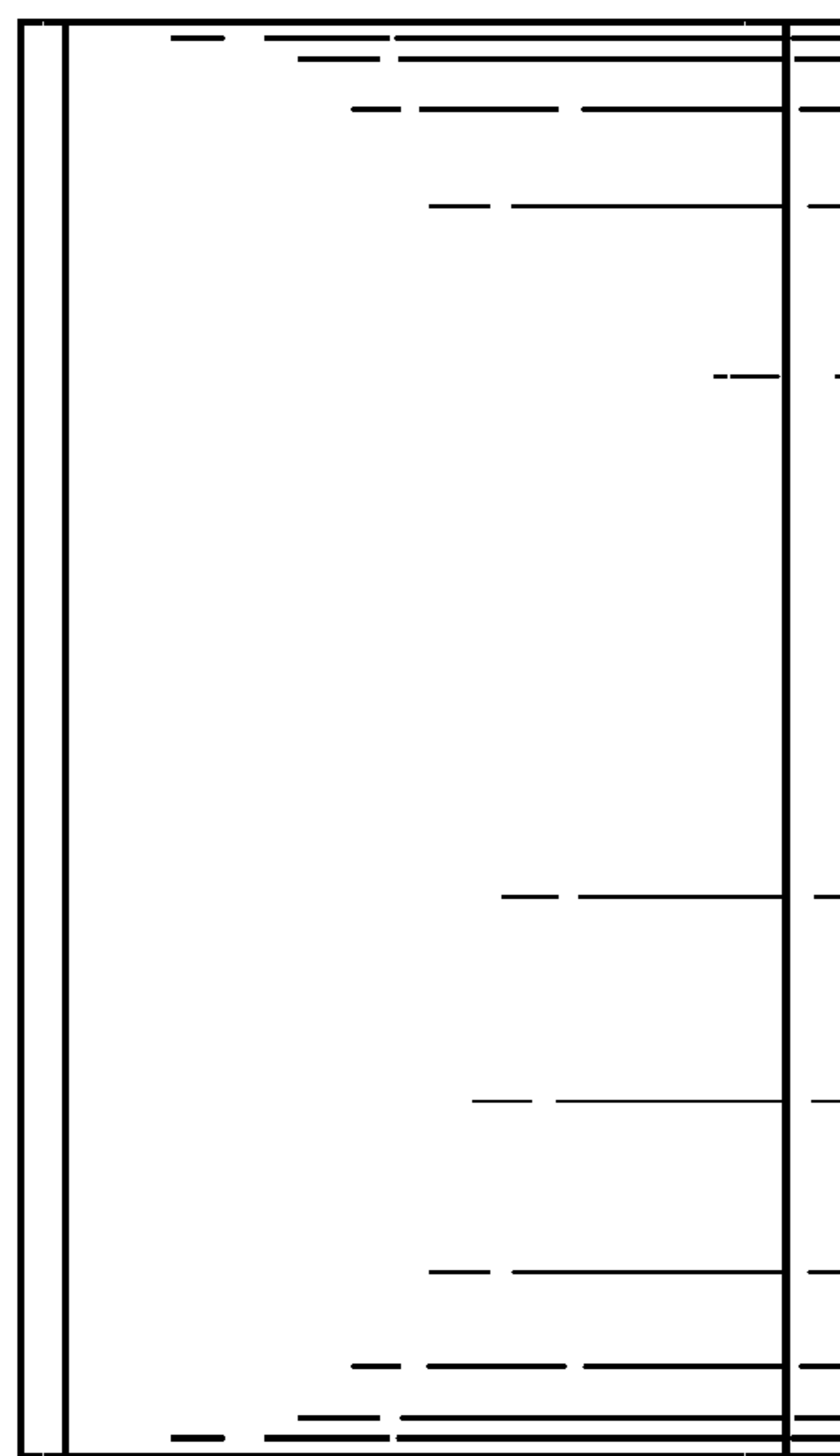


FIG. 6

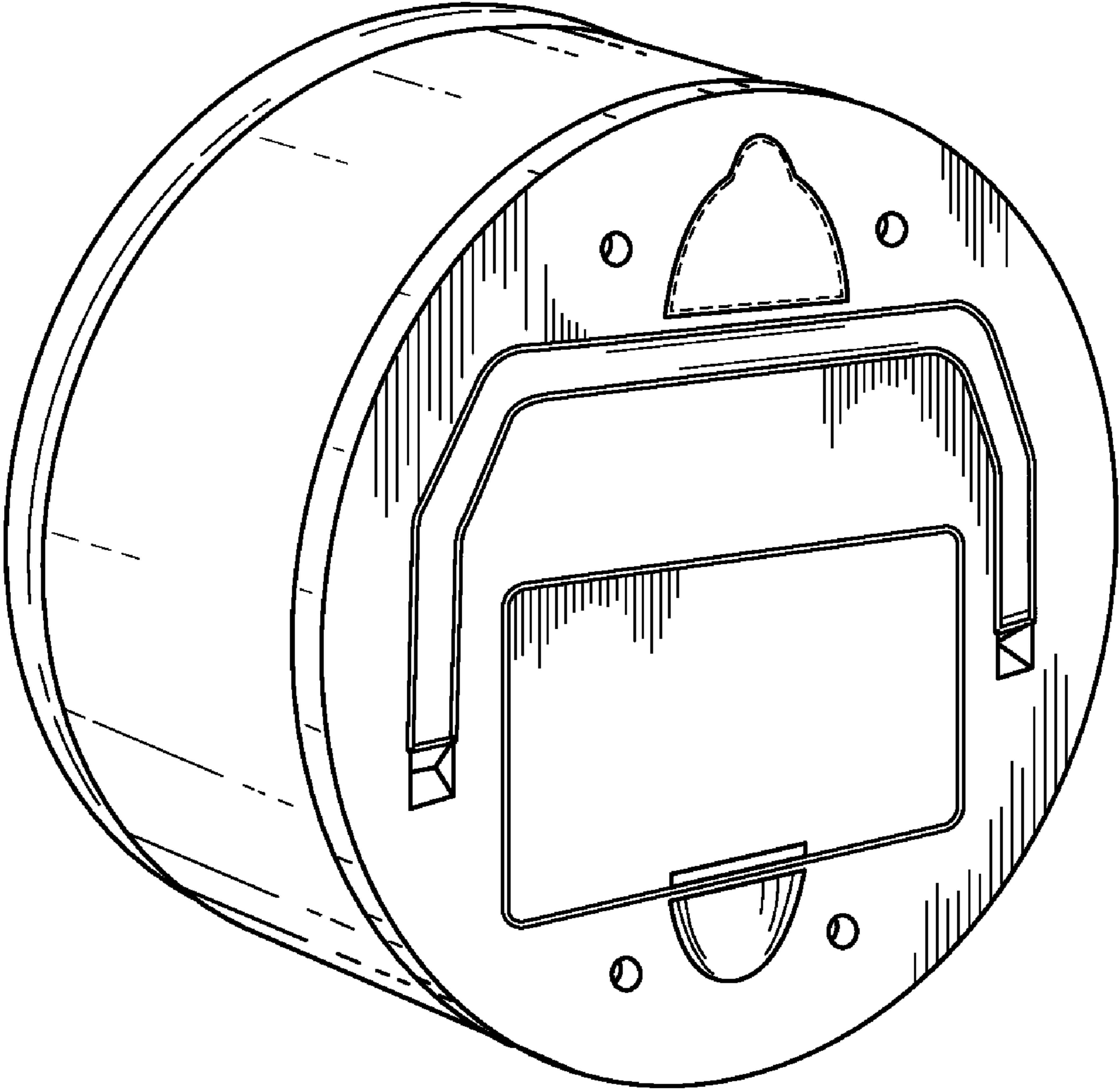


FIG. 7