



US00D652734S

(12) **United States Design Patent**
Ungrady et al.

(10) **Patent No.:** **US D652,734 S**
(45) **Date of Patent:** **** Jan. 24, 2012**

(54) **CONTAINER**

(75) Inventors: **Eric B. Ungrady**, Mt. Wolf, PA (US);
Justin A. Howell, New Cumberland, PA
(US); **Luis Carvallo**, York, PA (US);
Hassan Mourad, Canton, MI (US);
Mark Borger, York, PA (US)

(73) Assignee: **Graham Packaing Company, L.P.**,
York, PA (US)

(**) Term: **14 Years**

(21) Appl. No.: **29/392,598**

(22) Filed: **May 24, 2011**

(51) **LOC (9) Cl.** **09-01**

(52) **U.S. Cl.** **D9/538; D9/539; D9/551; D9/553;**
D9/556; D9/558

(58) **Field of Classification Search** D9/682,
D9/684, 686, 693-694, 516, 537-541, 544-546,
D9/551, 553, 559-561, 564, 566, 569-571,
D9/573-575; 215/381-385; D24/121, 197-199,
D24/224; 220/660, 669-670, 675
See application file for complete search history.

(56) **References Cited**

U.S. PATENT DOCUMENTS

D387,671	S	*	12/1997	Panella	D9/538
D448,673	S	*	10/2001	Bretz et al.	D9/538
D453,004	S		1/2002	Hirata		
D466,813	S		12/2002	Thierjung et al.		
D468,213	S	*	1/2003	Moore et al.	D9/559 X
D488,722	S	*	4/2004	Evans et al.	D9/538
D488,723	S	*	4/2004	Evans et al.	D9/538
6,929,138	B2	*	8/2005	Melrose et al.	215/381
D545,198	S		6/2007	Hatcher et al.		
D547,665	S		7/2007	Lepoitevin		

D548,087	S		8/2007	Wolf		
7,318,533	B2	*	1/2008	Kelley	215/384
D573,031	S	*	7/2008	Hestehave	D9/560 X
D610,015	S	*	2/2010	Yourist et al.	D9/538
D610,016	S	*	2/2010	Yourist et al.	D9/538
D610,017	S	*	2/2010	Howell et al.	D9/538
D612,257	S	*	3/2010	Wurster et al.	D9/574 X
7,748,551	B2	*	7/2010	Gatewood et al.	215/381
D623,530	S	*	9/2010	Ungrady et al.	D9/557 X
D623,531	S	*	9/2010	Ungrady et al.	D9/539 X
D626,848	S	*	11/2010	Chewning et al.	D9/539 X
D630,515	S	*	1/2011	Bretz et al.	D9/553 X
D637,495	S	*	5/2011	Gill et al.	D9/558 X
2004/0016716	A1	*	1/2004	Melrose et al.	215/381
2010/0320218	A1	*	12/2010	Tanaka	220/721

* cited by examiner

Primary Examiner — Carol P Rademaker

(74) *Attorney, Agent, or Firm* — Knoble Yoshida & Dunleavy, LLC

(57) **CLAIM**

The ornamental design for a container, as shown and described.

DESCRIPTION

FIG. 1 is a top, front, right side perspective view of a container showing our new design;

FIG. 2 is a bottom, front, right side perspective view thereof;

FIG. 3 is a front elevational view thereof, the rear elevational view being identical;

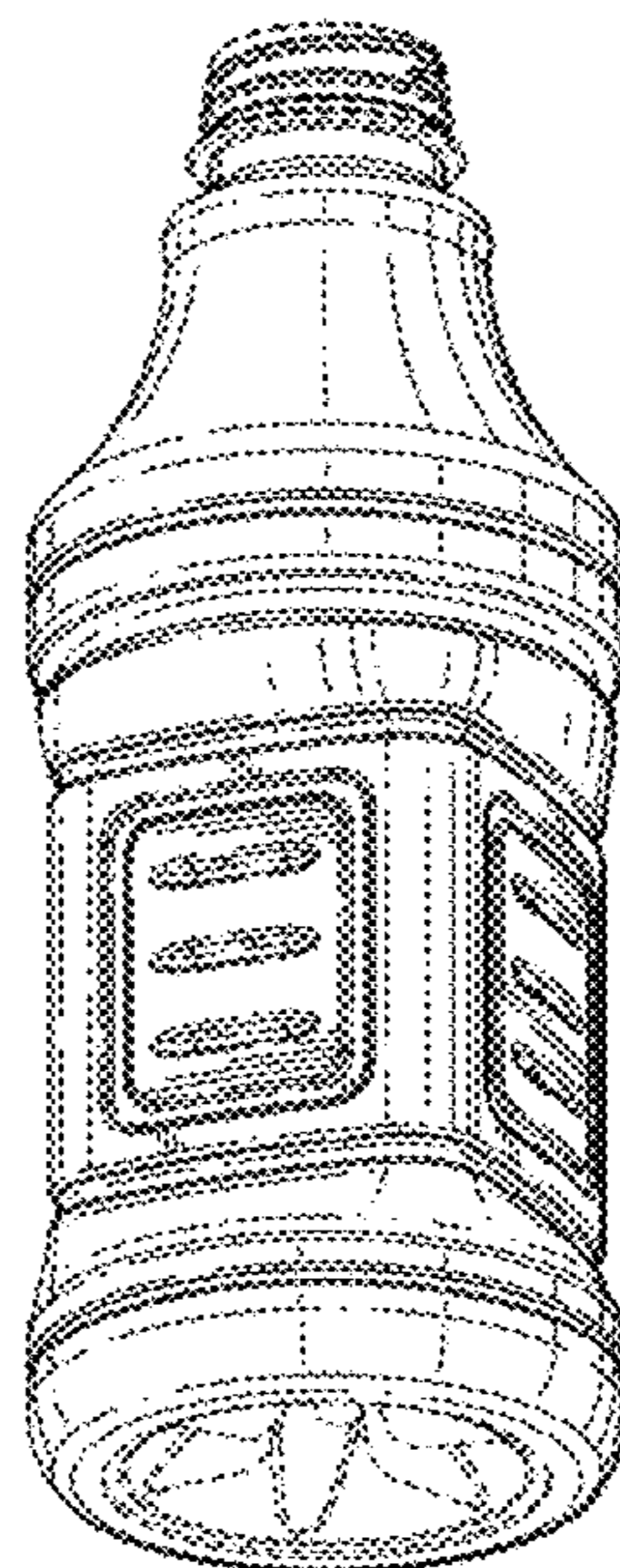
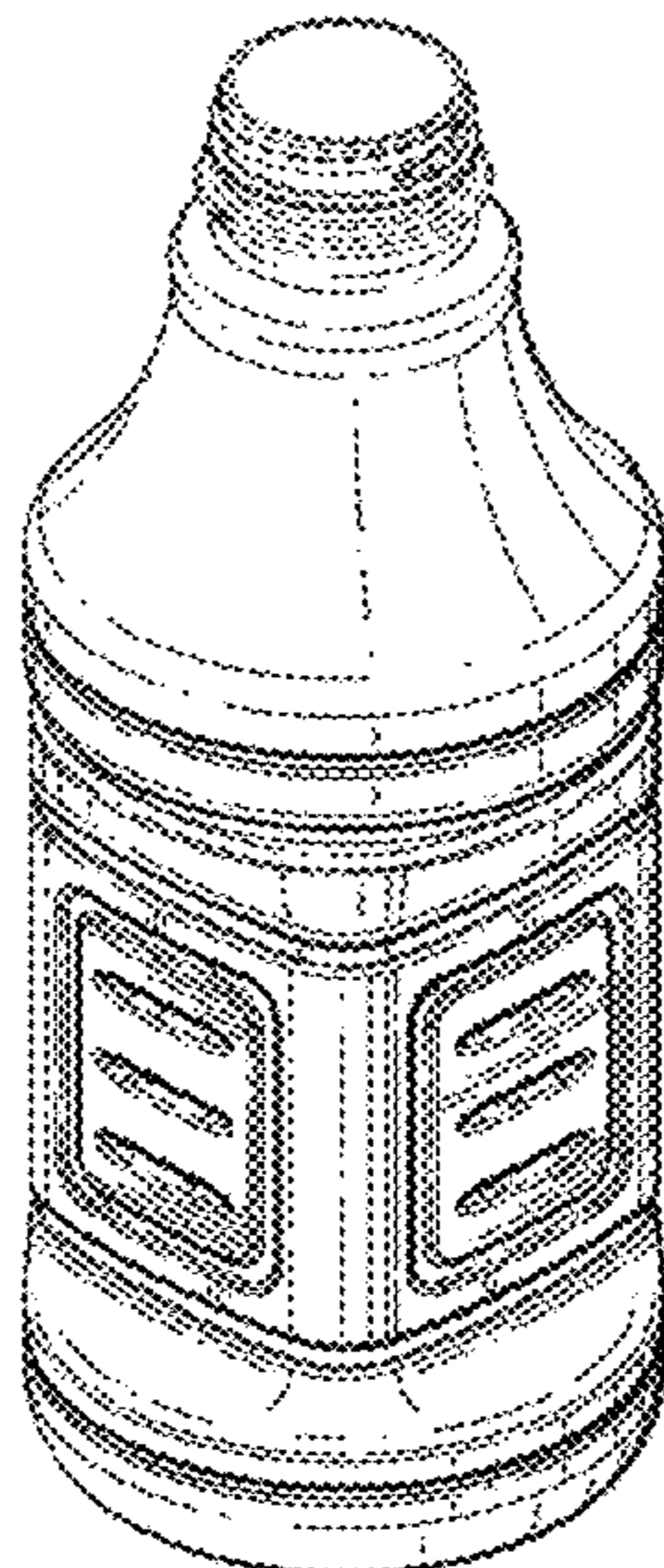
FIG. 4 is a right side elevational view thereof, the left side elevational view being identical;

FIG. 5 is a top plan view thereof; and,

FIG. 6 is a bottom plan view thereof.

The dash-dash-dash broken lines shown in the drawings are included for the purpose of illustrating environmental structure and form no part of the claimed design.

1 Claim, 5 Drawing Sheets



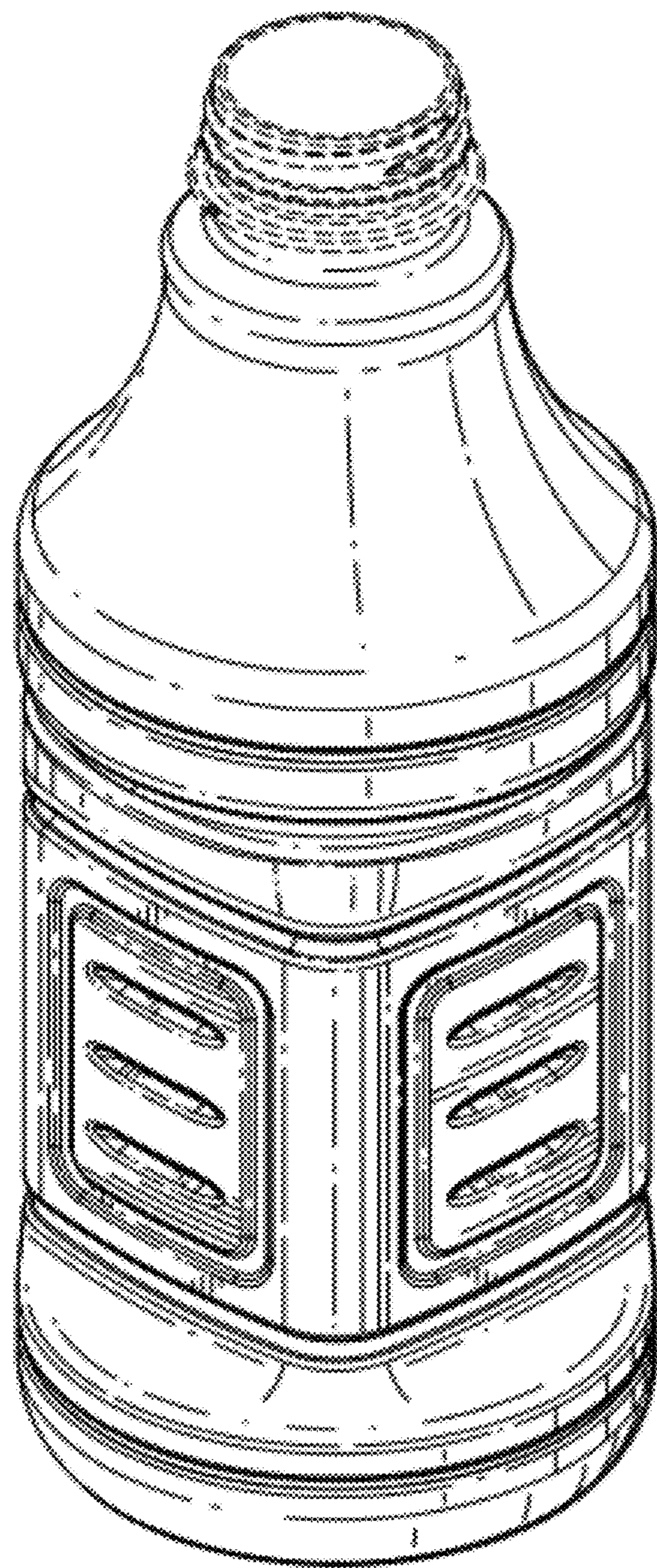


FIG. 1

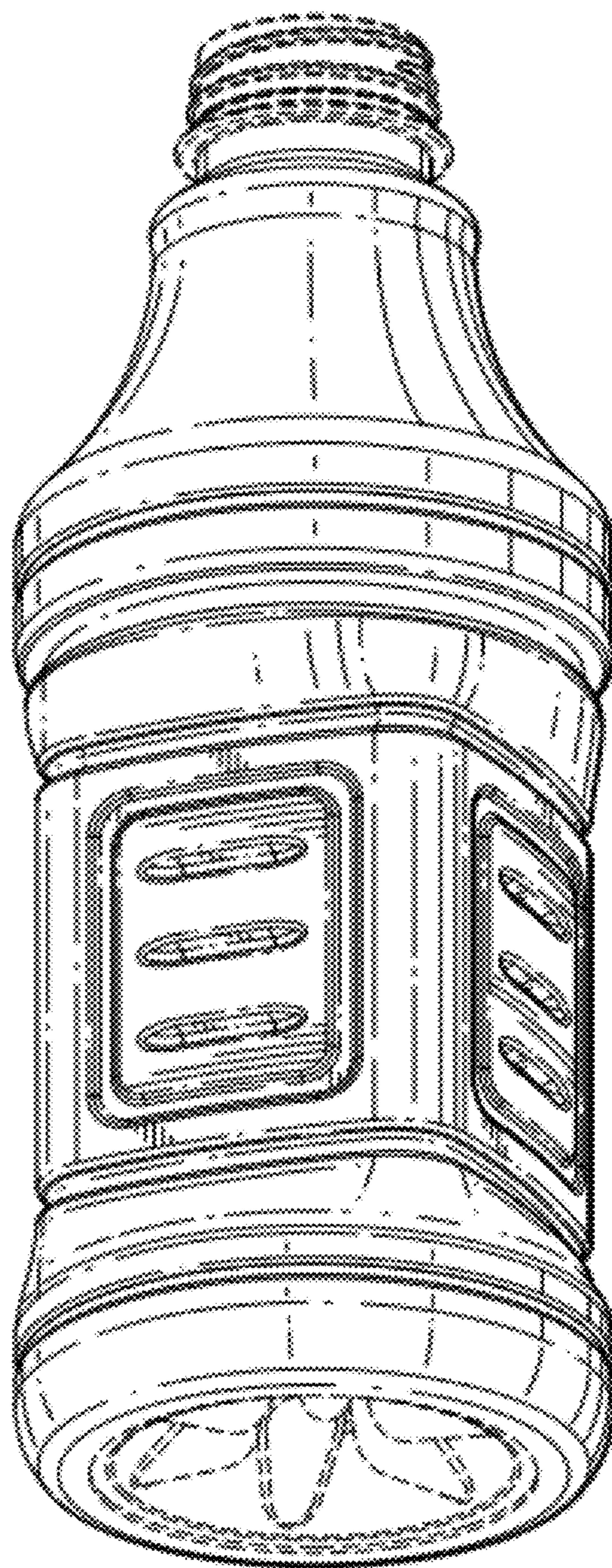


FIG. 2

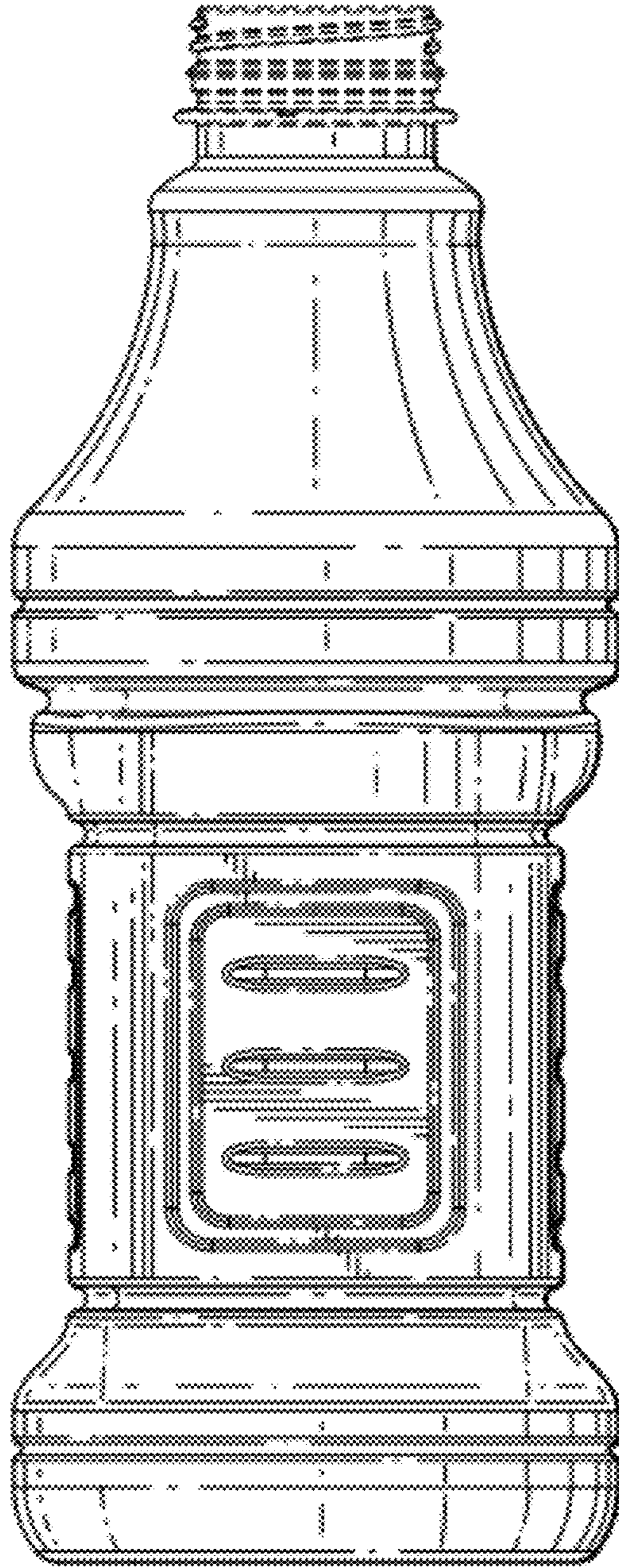


FIG. 3

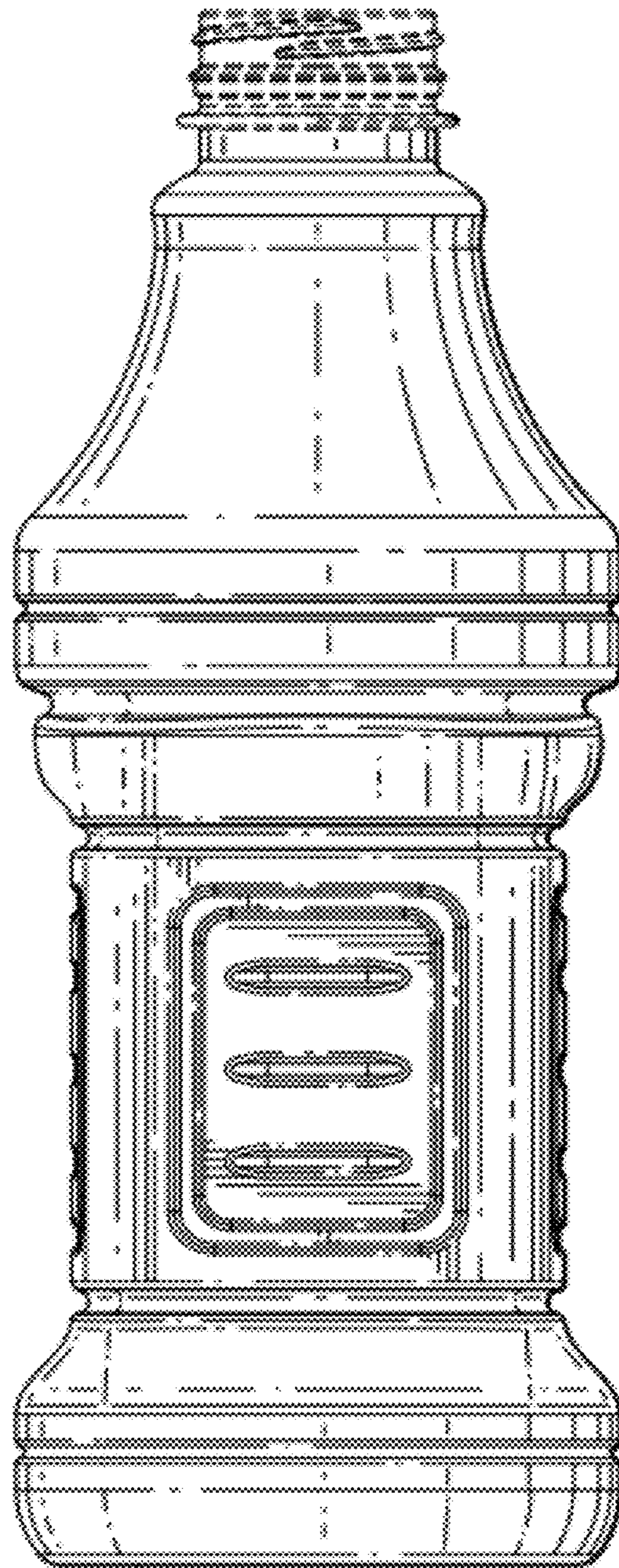


FIG. 4

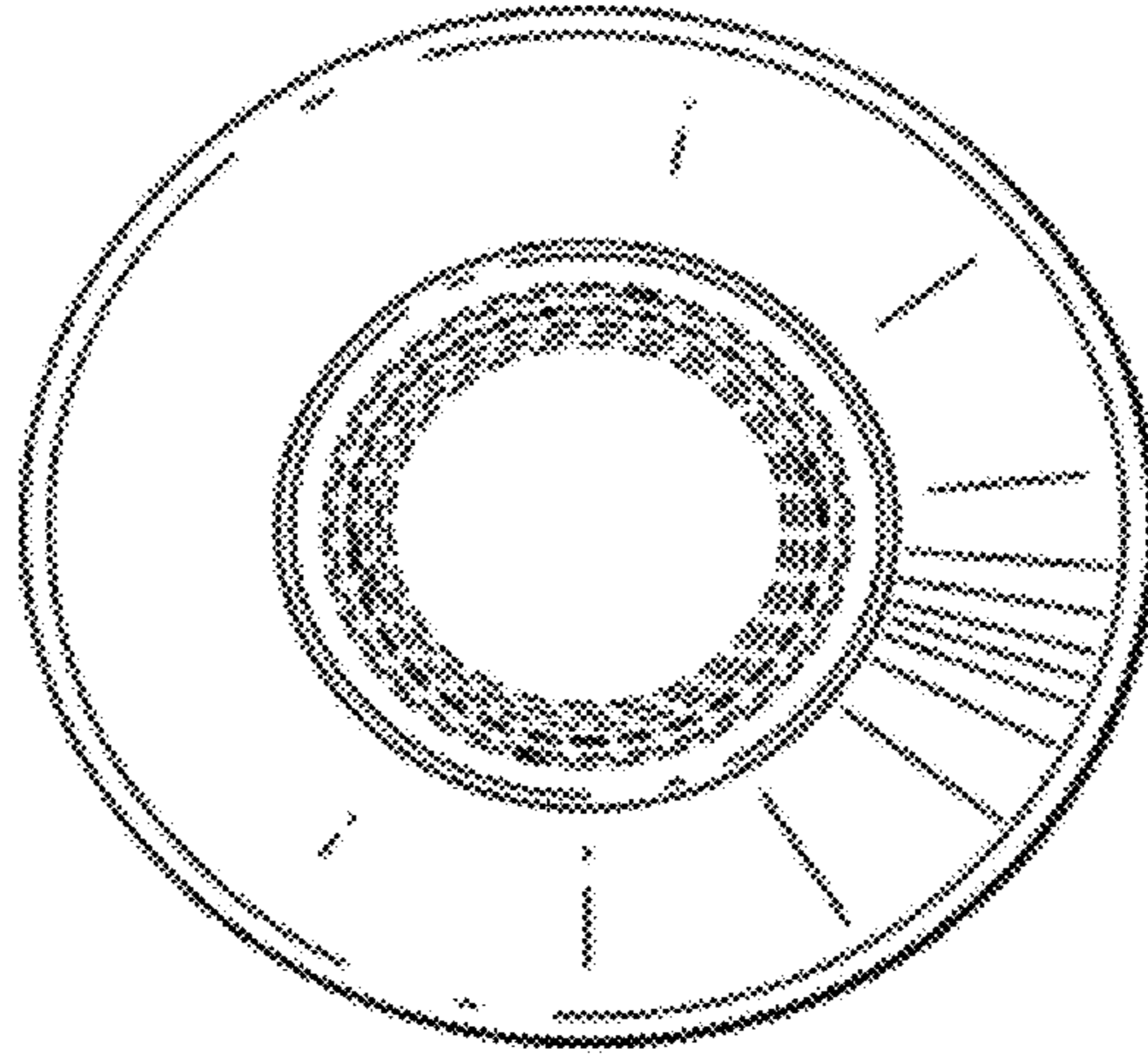


FIG. 5

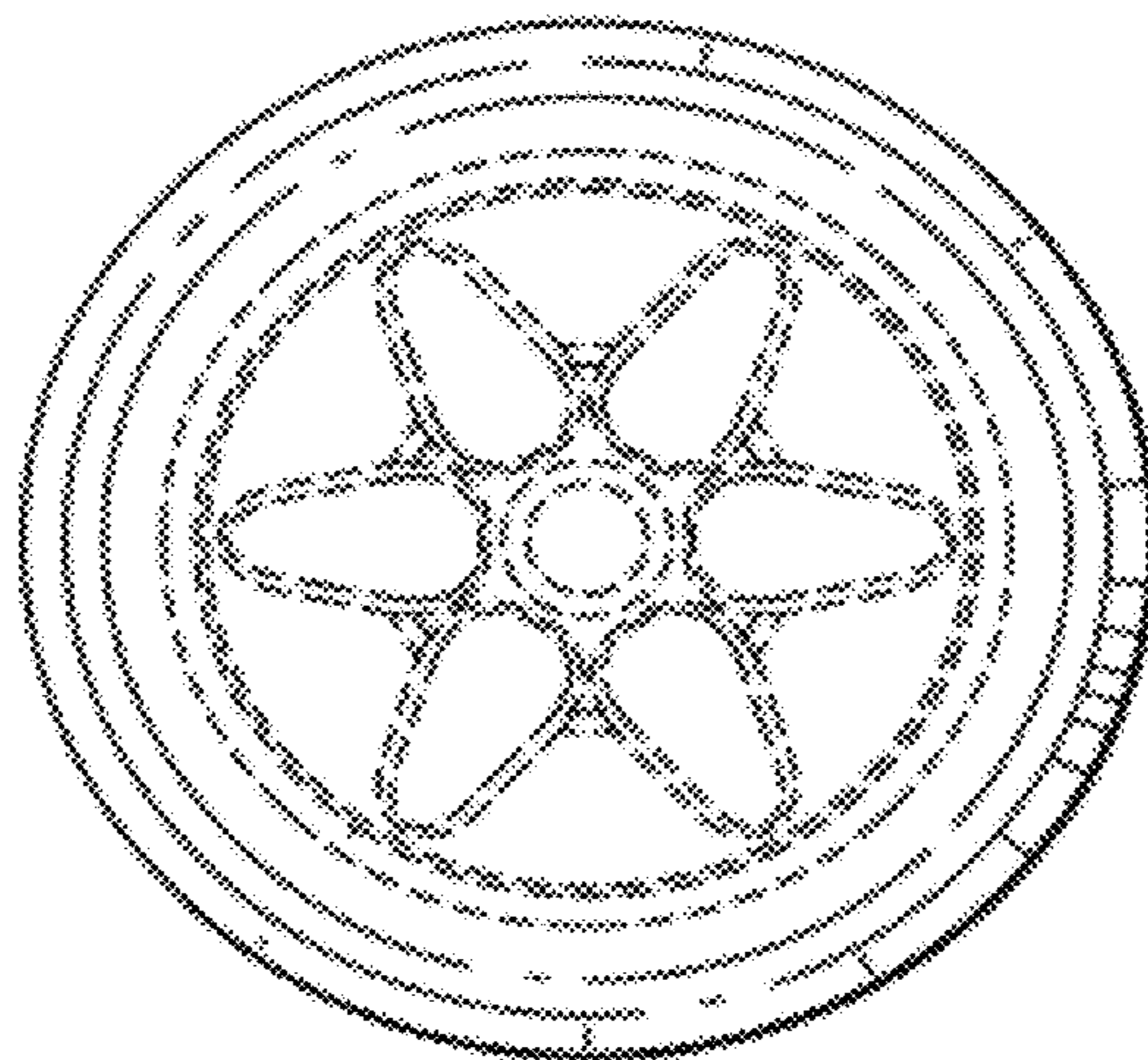


FIG. 6