



US00D652732S

(12) **United States Design Patent**
Oommen et al.

(10) **Patent No.:** **US D652,732 S**
(45) **Date of Patent:** **** Jan. 24, 2012**

(54) **BOTTLE**

(75) Inventors: **Roy Oommen**, Bloomfield, NJ (US);
Florian Godet, Octeville-sur-mer (FR);
Fabien Druart, Octeville-sur-mer (FR)

(73) Assignee: **PepsiCo, Inc.**, Purchase, NY (US)

(**) Term: **14 Years**

(21) Appl. No.: **29/379,123**

(22) Filed: **Nov. 15, 2010**

(51) **LOC (9) Cl.** **09-01**

(52) **U.S. Cl.** **D9/538; D9/539; D9/552; D9/556;**
D9/557; D9/571

(58) **Field of Classification Search** D9/502,
D9/516, 690–693, 537–541, 545–546, 549,
D9/552, 556–558, 565, 569–571, 574; 215/382–384;
220/660, 669, 675
See application file for complete search history.

(56) **References Cited**

U.S. PATENT DOCUMENTS

D67,221 S *	5/1925	Miller	D9/557
D67,464 S *	6/1925	Johnson	D9/552
D105,416 S *	7/1937	Sherman	D9/552 X
D111,212 S *	9/1938	Meyer	D9/552
D213,037 S *	12/1968	Pettengill	D9/558
D214,157 S *	5/1969	Pettengill	D9/558
3,871,541 A *	3/1975	Adomaitis	215/375
D267,233 S *	12/1982	Aoki	D9/556 X
D387,284 S	12/1997	Briggs et al.		
D391,493 S	3/1998	Panella et al.		
5,735,421 A *	4/1998	Deemer et al.	215/382
5,740,934 A *	4/1998	Brady	215/381
D404,651 S *	1/1999	Warner et al.	D9/552
D406,065 S	2/1999	Cheng		
D409,493 S	5/1999	Waggaman		
D412,441 S	8/1999	Cheng et al.		
D414,112 S	9/1999	Waggaman et al.		
5,988,417 A	11/1999	Cheng		
D425,424 S	5/2000	Cheng et al.		

D429,151 S *	8/2000	Cheng et al.	D9/552 X
D429,156 S	8/2000	Williams et al.		
6,149,024 A *	11/2000	Deemer et al.	215/382
D435,219 S	12/2000	Williams et al.		
D443,519 S	6/2001	Warner et al.		
D449,533 S	10/2001	Helps et al.		
D463,292 S	9/2002	Del Bianco		
D480,650 S *	10/2003	Moore et al.	D9/540
D506,139 S *	6/2005	Zboch et al.	D9/539
D507,971 S	8/2005	Harris et al.		
6,929,139 B2	8/2005	Darr		
6,971,530 B2	12/2005	Darr		
D522,874 S	6/2006	Livingston et al.		

(Continued)

FOREIGN PATENT DOCUMENTS

EM 000936547-0001 3/2008

Primary Examiner — Carol P Rademaker

(74) *Attorney, Agent, or Firm* — Banner & Witcoff, Ltd.

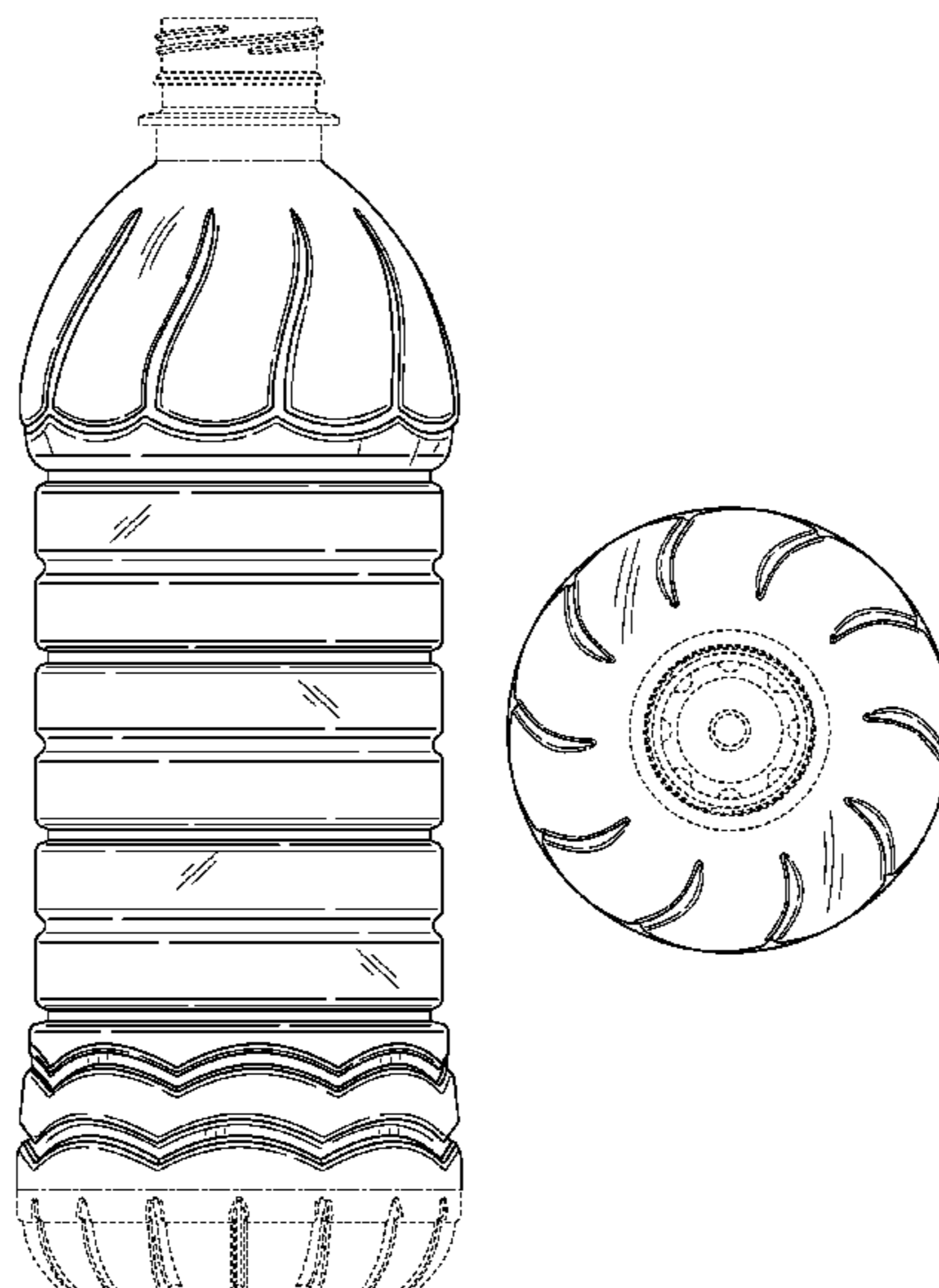
(57) **CLAIM**

The ornamental design for a bottle, as shown and described.

DESCRIPTION

FIG. 1 is a top, front, right perspective view of a bottle showing our new design;
 FIG. 2 is a front elevational view thereof;
 FIG. 3 is a right side elevational view thereof;
 FIG. 4 is a rear elevational view thereof;
 FIG. 5 is a left side elevational view thereof;
 FIG. 6 is a top plan view thereof;
 FIG. 7 is a bottom plan view thereof; and,
 FIG. 8 is a bottom, front, right perspective view thereof.
 The dot-dash-dot-dash-dot-dash broken lines shown in the drawings represent unclaimed boundaries of the claimed design.
 The dot-dot-dot-dot-dot-dot broken lines shown in the drawings are included for the purpose of illustrating environmental structure and form no part of the claimed design.

1 Claim, 7 Drawing Sheets



US D652,732 S

Page 2

U.S. PATENT DOCUMENTS						
D523,341 S	6/2006	Livingston et al.		7,469,796 B2	12/2008	Kamineni
D527,267 S *	8/2006	Zboch et al.	D9/516	D586,224 S	2/2009	Darr et al.
D528,422 S	9/2006	Darr et al.		D587,588 S	3/2009	Fraser et al.
D545,684 S *	7/2007	DeMaso et al.	D9/557	D601,901 S *	10/2009	Lepoitevin D9/538
D546,687 S	7/2007	Boukobza		D601,902 S *	10/2009	Bourne D9/571 X
D547,186 S	7/2007	Boukobza		D601,903 S	10/2009	Lepoitevin
D552,477 S	10/2007	Hermel		D601,904 S *	10/2009	Lepoitevin D9/556 X
D556,044 S	11/2007	Hirata		D601,906 S	10/2009	Leruste
D556,581 S	12/2007	Yamada		D602,367 S	10/2009	Lepoitevin
D557,138 S	12/2007	Boukobza		D603,711 S	11/2009	Lepoitevin
D558,581 S	1/2008	Lockman et al.		D607,733 S	1/2010	Lepoitevin
D560,502 S	1/2008	Darr		D618,552 S	6/2010	Dabrowski
D560,506 S	1/2008	Lepoitevin		D619,011 S *	7/2010	Zoppas D9/541
D561,042 S	2/2008	Darr		D619,899 S	7/2010	Mero
D565,419 S	4/2008	Darr		D622,597 S	8/2010	Dabrowski
D566,571 S	4/2008	Darr		D623,067 S	9/2010	Lovelace
D566,572 S	4/2008	Darr		D623,950 S	9/2010	Eugui
D576,050 S	9/2008	Darr		D626,850 S *	11/2010	Zoppas D9/574 X
D576,051 S	9/2008	Darr		D628,074 S *	11/2010	Mero et al. D9/557 X
D576,496 S	9/2008	Darr		D637,495 S *	5/2011	Gill et al. D9/538
D576,497 S	9/2008	Ozer		2007/0257003 A1	11/2007	Colloud
D579,337 S	10/2008	Druart		2010/0230378 A1	9/2010	Colloud
D582,775 S	12/2008	Pedmo et al.				

* cited by examiner

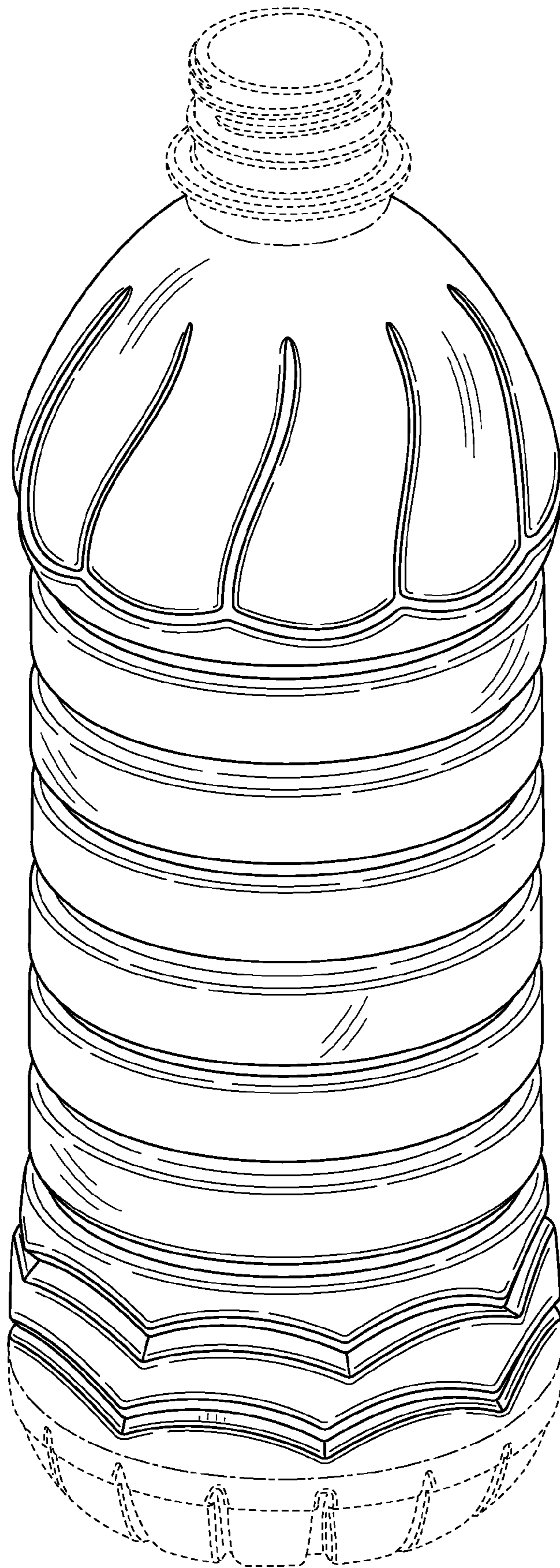


FIG. 1

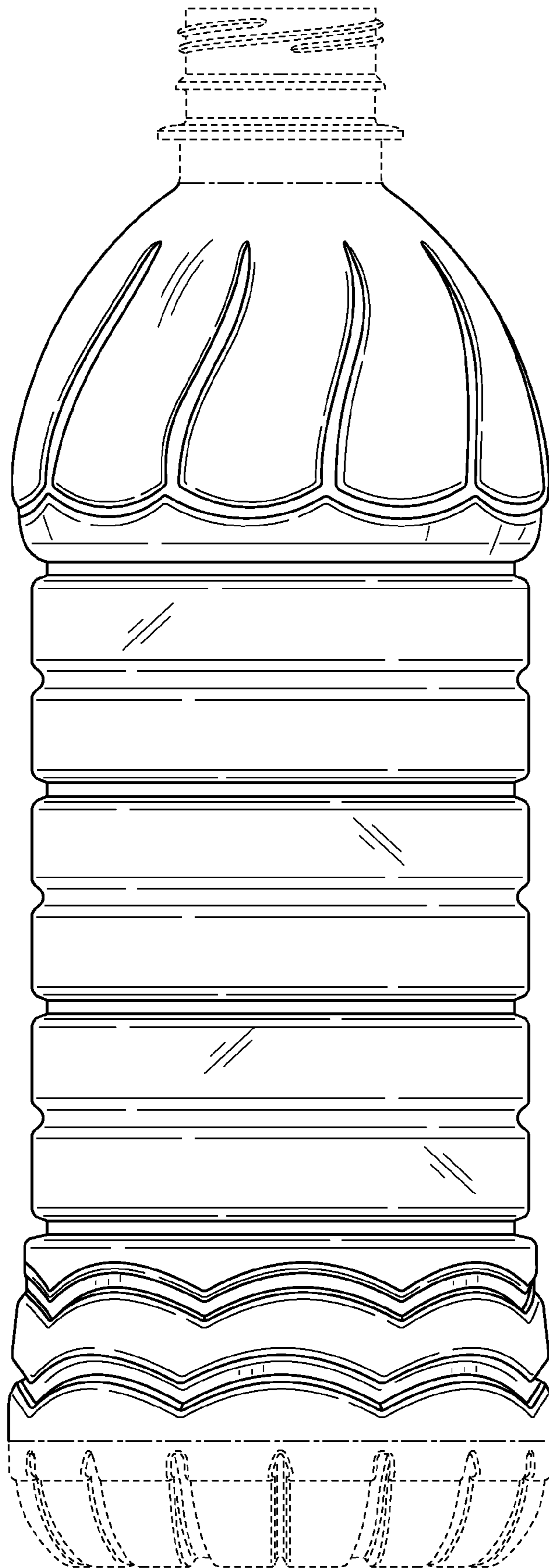


FIG. 2

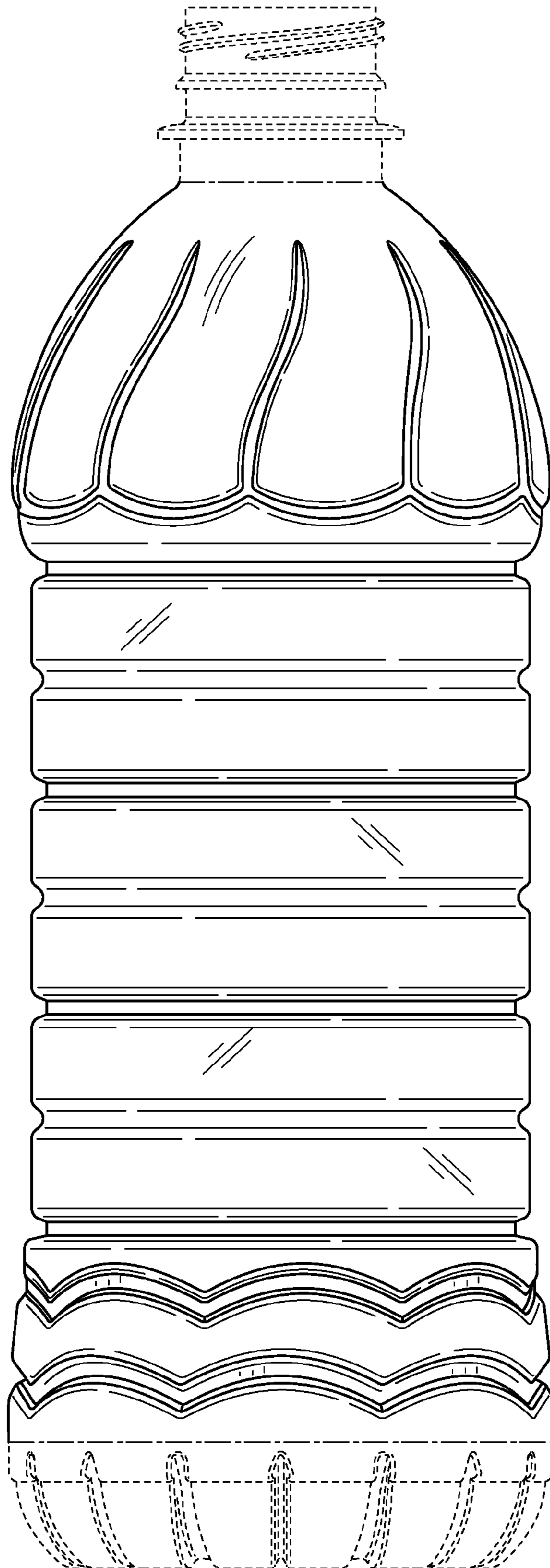


FIG. 3

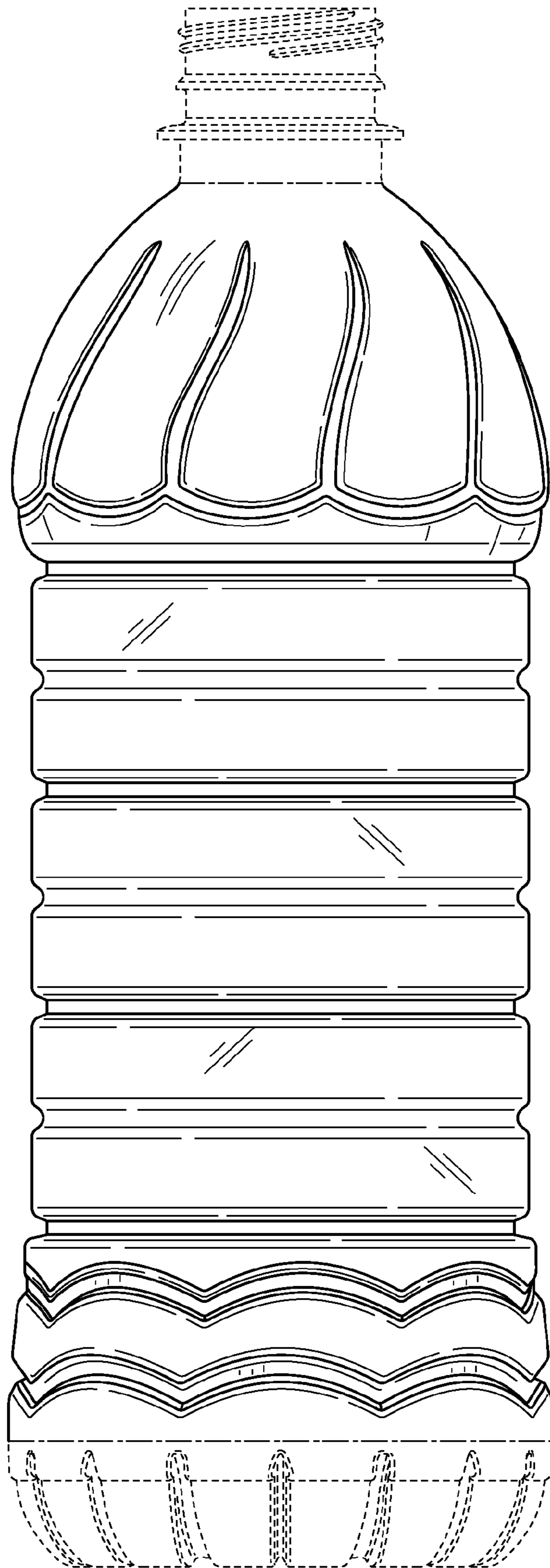


FIG. 4

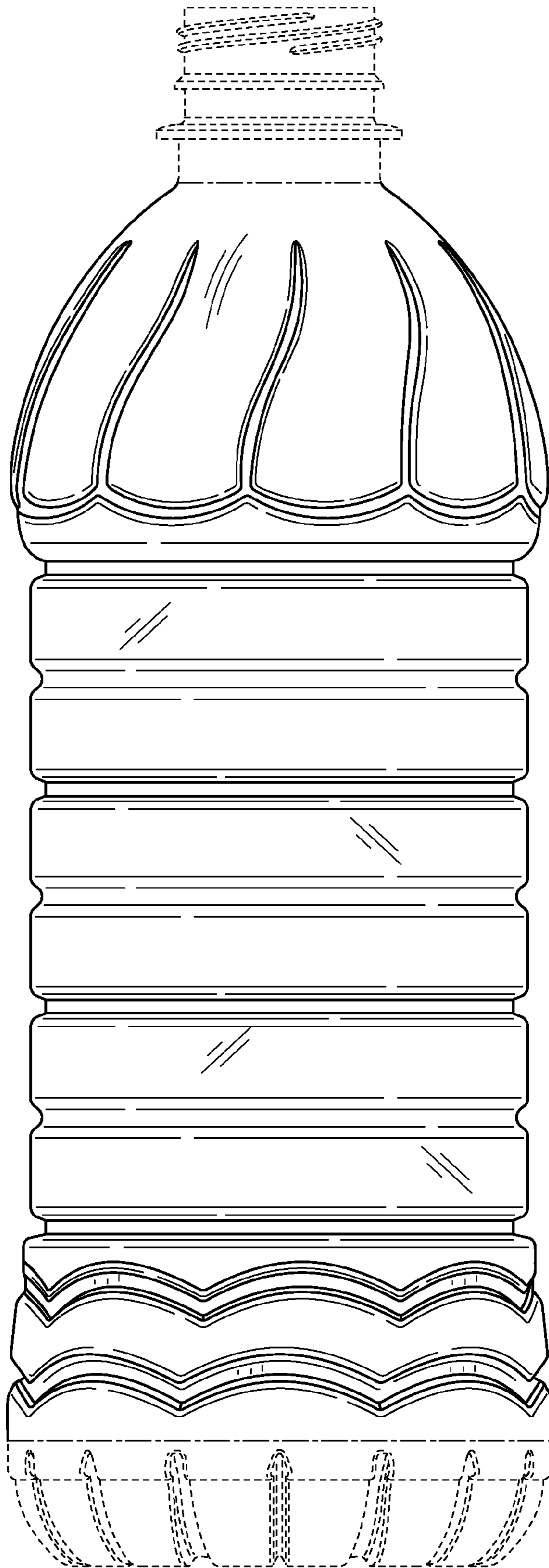


FIG. 5

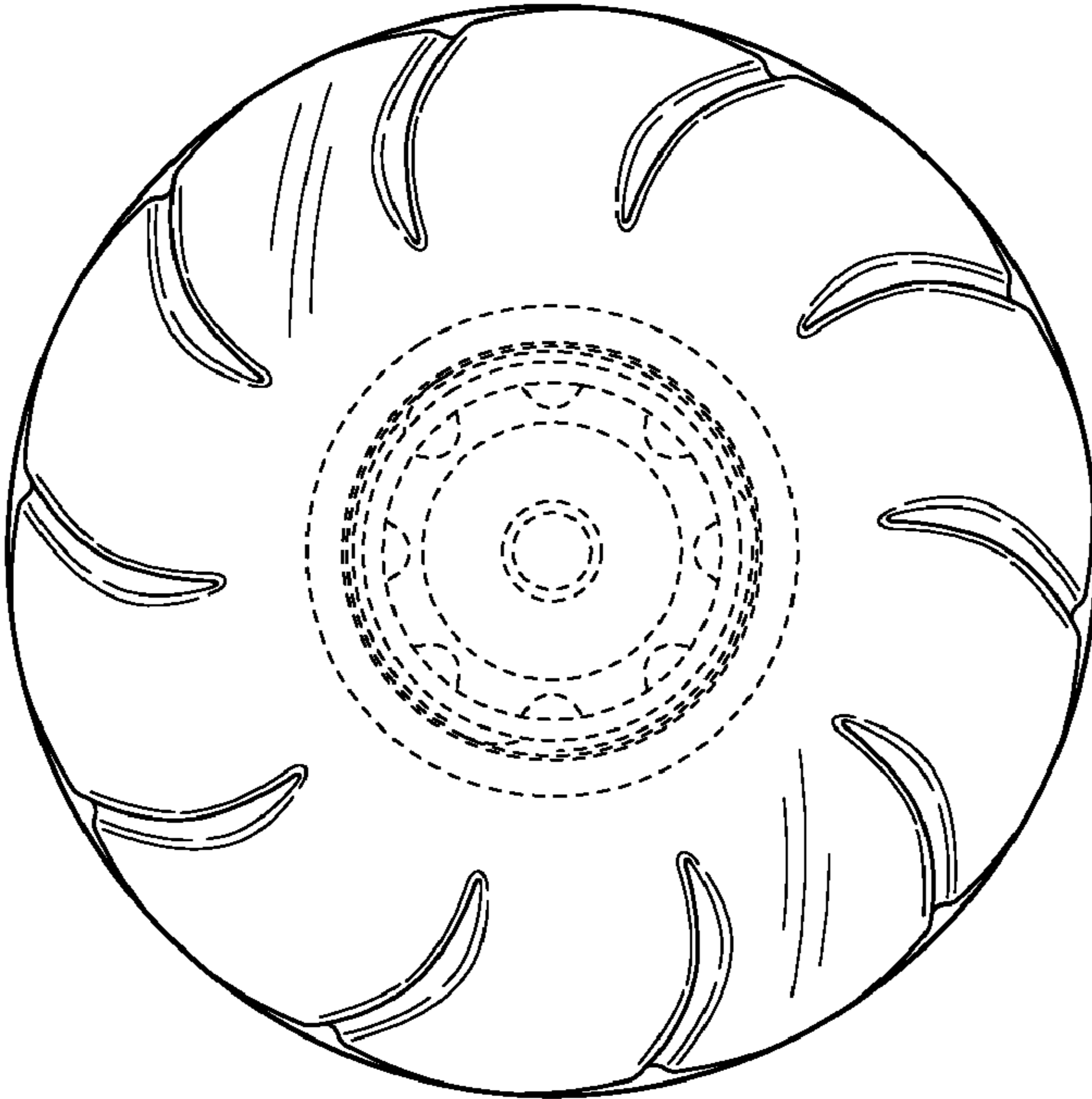


FIG. 6

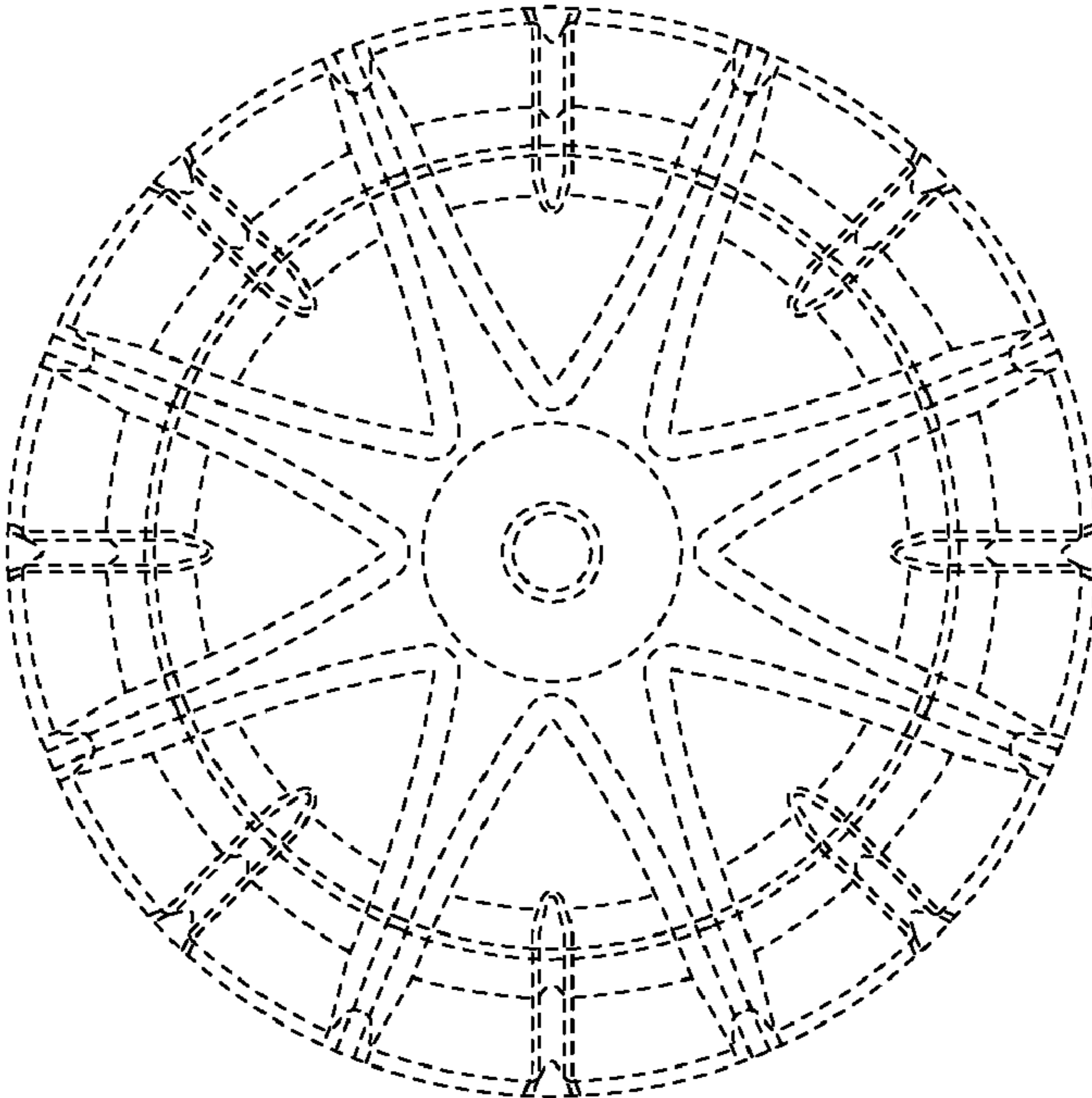


FIG. 7

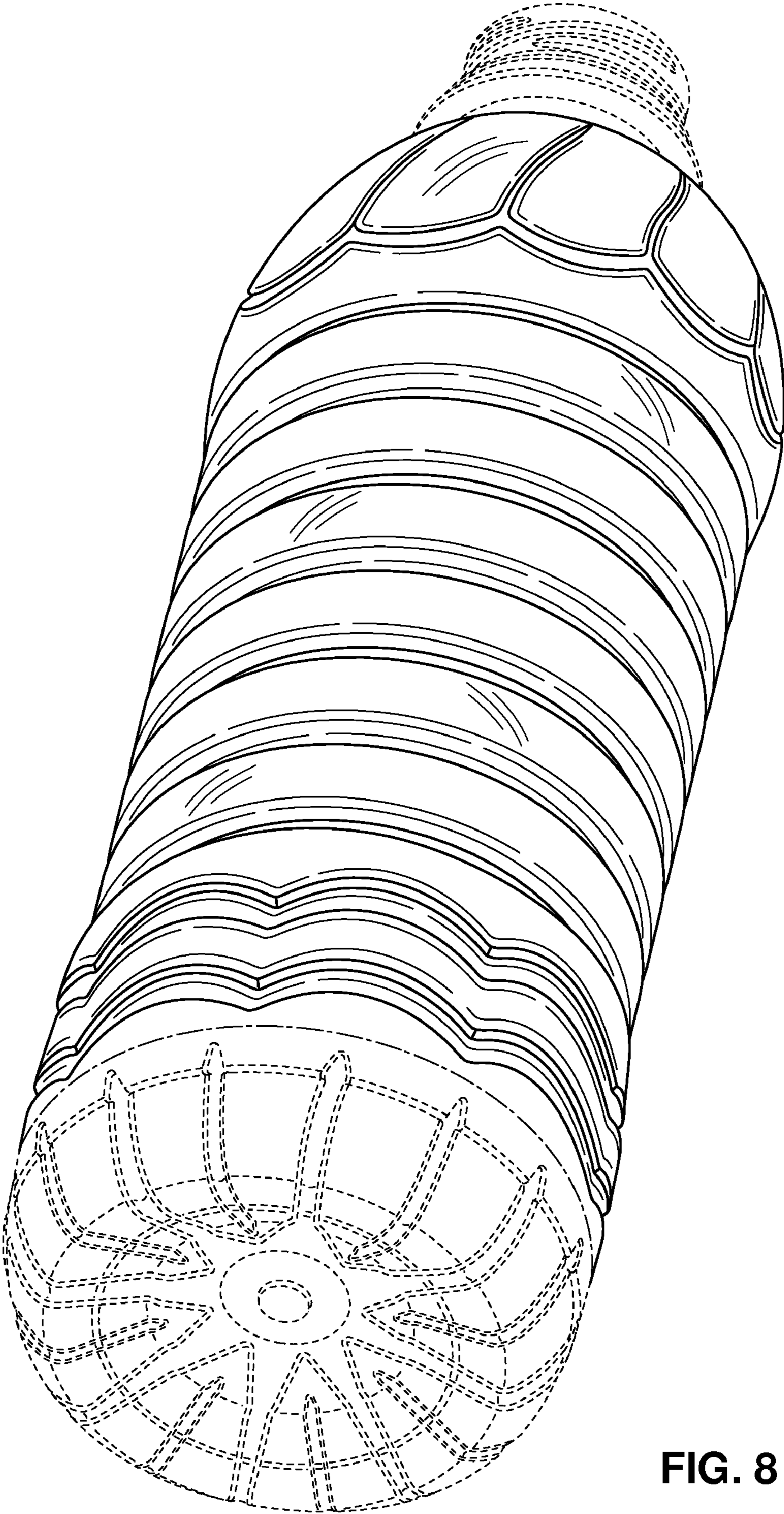


FIG. 8