



US00D652731S

(12) **United States Design Patent**
Pritchett, Jr. et al.

(10) **Patent No.:** **US D652,731 S**
(45) **Date of Patent:** **** Jan. 24, 2012**

(54) **CONTAINER**

(75) Inventors: **Raymond A. Pritchett, Jr.**, Manchester, PA (US); **Eric B. Ungrady**, Mt. Wolf, PA (US); **Michael T. Kelly**, Manchester, PA (US); **Justin A. Howell**, New Cumberland, PA (US)

(73) Assignee: **Graham Packaging Company, L.P.**, York, PA (US)

(**) Term: **14 Years**

(21) Appl. No.: **29/376,670**

(22) Filed: **Oct. 8, 2010**

(51) **LOC (9) Cl.** **09-01**

(52) **U.S. Cl.** **D9/538; D9/539; D9/551; D9/556; D9/558**

(58) **Field of Classification Search** D9/682, D9/684, 686, 693-694, 516, 537-541, 544-546, D9/551, 559-561, 564, 569-571, 573-575; 215/381-385; D24/121, 197-199, 224; 220/660, 220/669-670, 675

See application file for complete search history.

(56) **References Cited**

U.S. PATENT DOCUMENTS

D91,247 S *	12/1933	Mengle	D9/556
2,063,013 A *	12/1936	Cooper	220/669
D108,796 S *	3/1938	Petty	D9/570
D163,148 S *	5/1951	Sterrett	D9/556 X
D253,809 S *	1/1980	Hartung	D9/543
D365,638 S *	12/1995	Young	D24/197
D425,793 S *	5/2000	Walker	D9/538 X
D453,004 S *	1/2002	Hirata	
D457,067 S *	5/2002	Martynov et al.	D9/539
D466,813 S *	12/2002	Thierjung et al.	
D468,213 S *	1/2003	Moore et al.	D9/559 X
D468,645 S *	1/2003	Nelson et al.	D9/560

D472,815 S	4/2003	Zhang et al.	
D530,212 S	10/2006	Darr et al.	
D545,198 S	6/2007	Hatcher et al.	
D547,195 S	7/2007	Yourist et al.	
D547,665 S	7/2007	Lepoitevin	
D548,087 S	8/2007	Wolf	
D605,054 S *	12/2009	Ungrady D9/559
D610,015 S *	2/2010	Yourist et al. D9/538
D610,016 S *	2/2010	Yourist et al. D9/538
D610,017 S *	2/2010	Howell et al. D9/538
7,748,551 B2 *	7/2010	Gatewood et al. 215/381
D623,529 S *	9/2010	Yourist et al. D9/538
D623,530 S *	9/2010	Ungrady et al. D9/539 X
D623,531 S *	9/2010	Ungrady et al. D9/539 X
D624,427 S *	9/2010	Yourist et al. D9/538
2004/0016716 A1 *	1/2004	Melrose et al. 215/381
2010/0320218 A1 *	12/2010	Tanaka 220/721

* cited by examiner

Primary Examiner — Carol P Rademaker

(74) *Attorney, Agent, or Firm* — Knoble Yoshida & Dunleavy, LLC

(57) **CLAIM**

The ornamental design for a container, as shown and described.

DESCRIPTION

FIG. 1 is a top, front, right side perspective view of a container showing our new design;

FIG. 2 is a bottom, front, right side perspective view thereof;

FIG. 3 is a front elevational view thereof, the rear elevational view being identical;

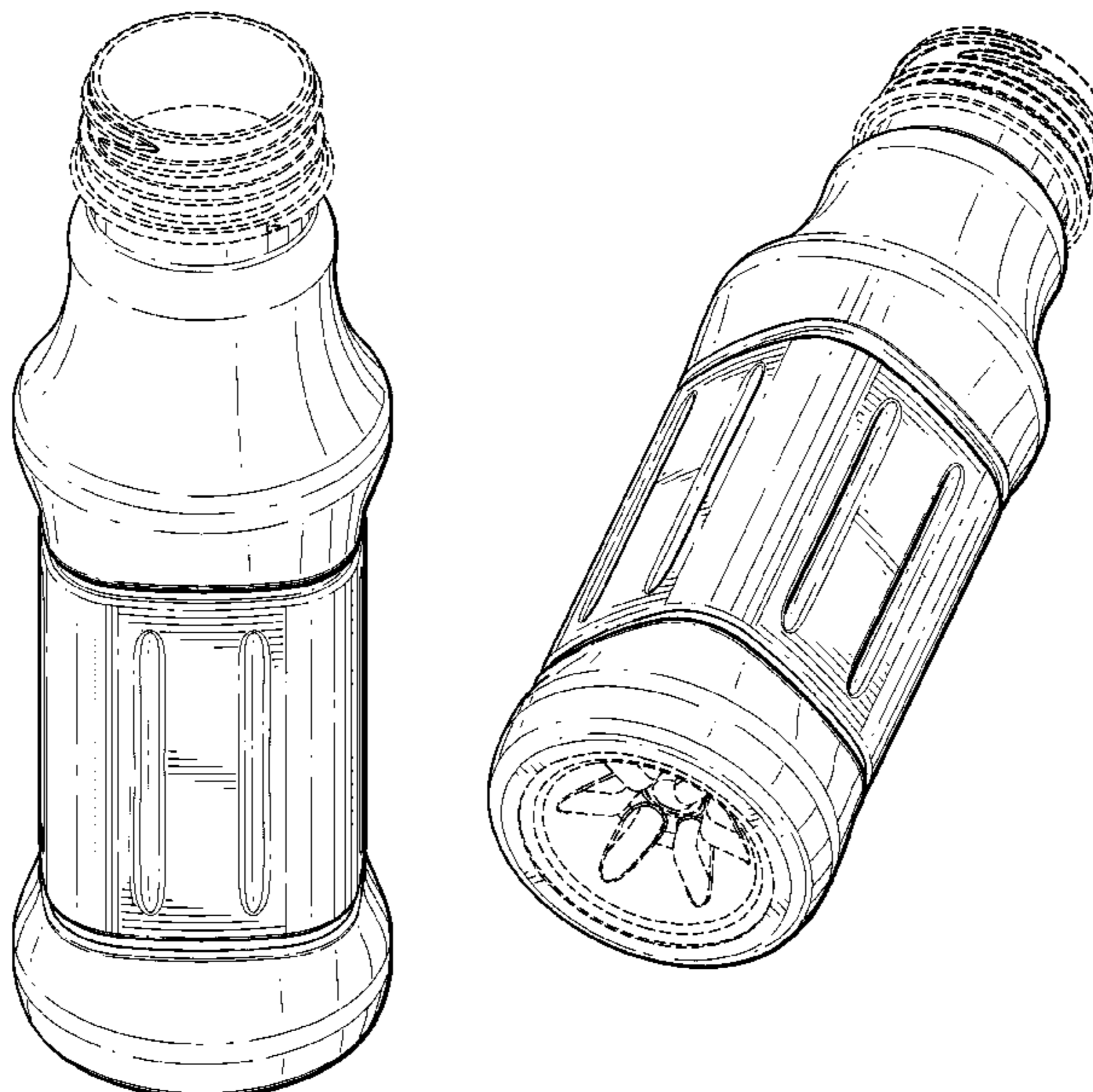
FIG. 4 is a right side elevational view thereof, the left side elevational view being identical;

FIG. 5 is a top plan view thereof; and,

FIG. 6 is a bottom plan view thereof.

The dash-dash-dash broken lines shown in the drawings are included for the purpose of illustrating environmental structure and form no part of the claimed design.

1 Claim, 4 Drawing Sheets



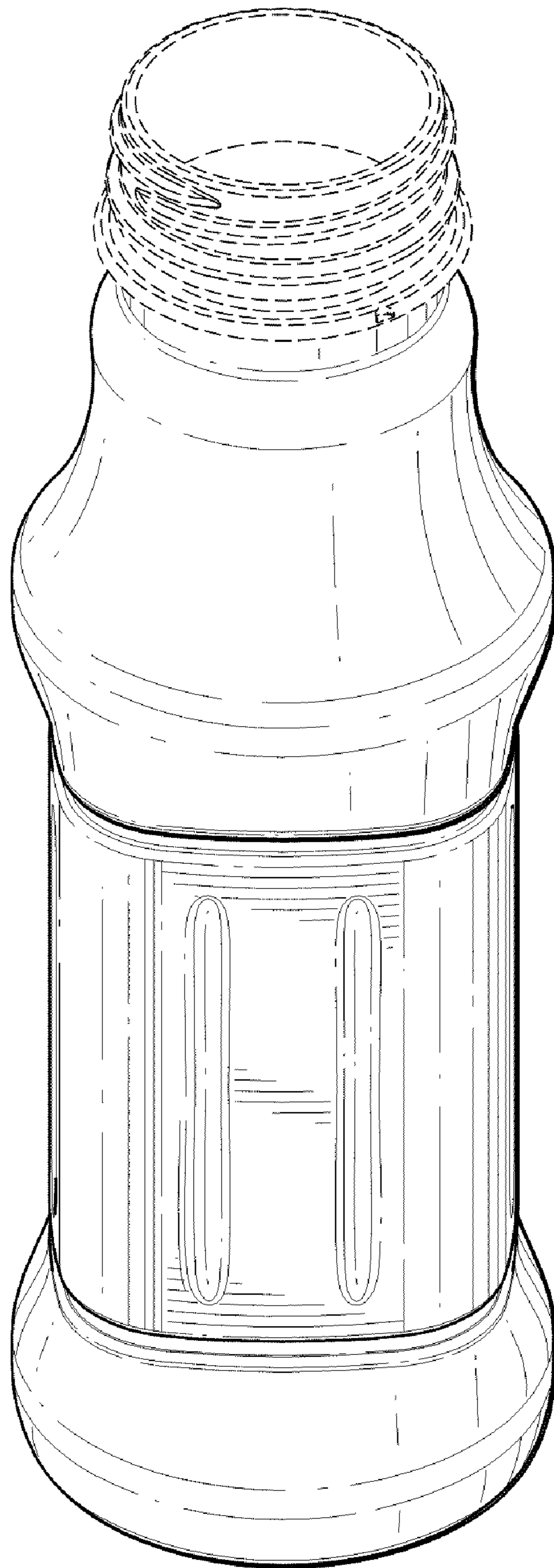


FIG. 1

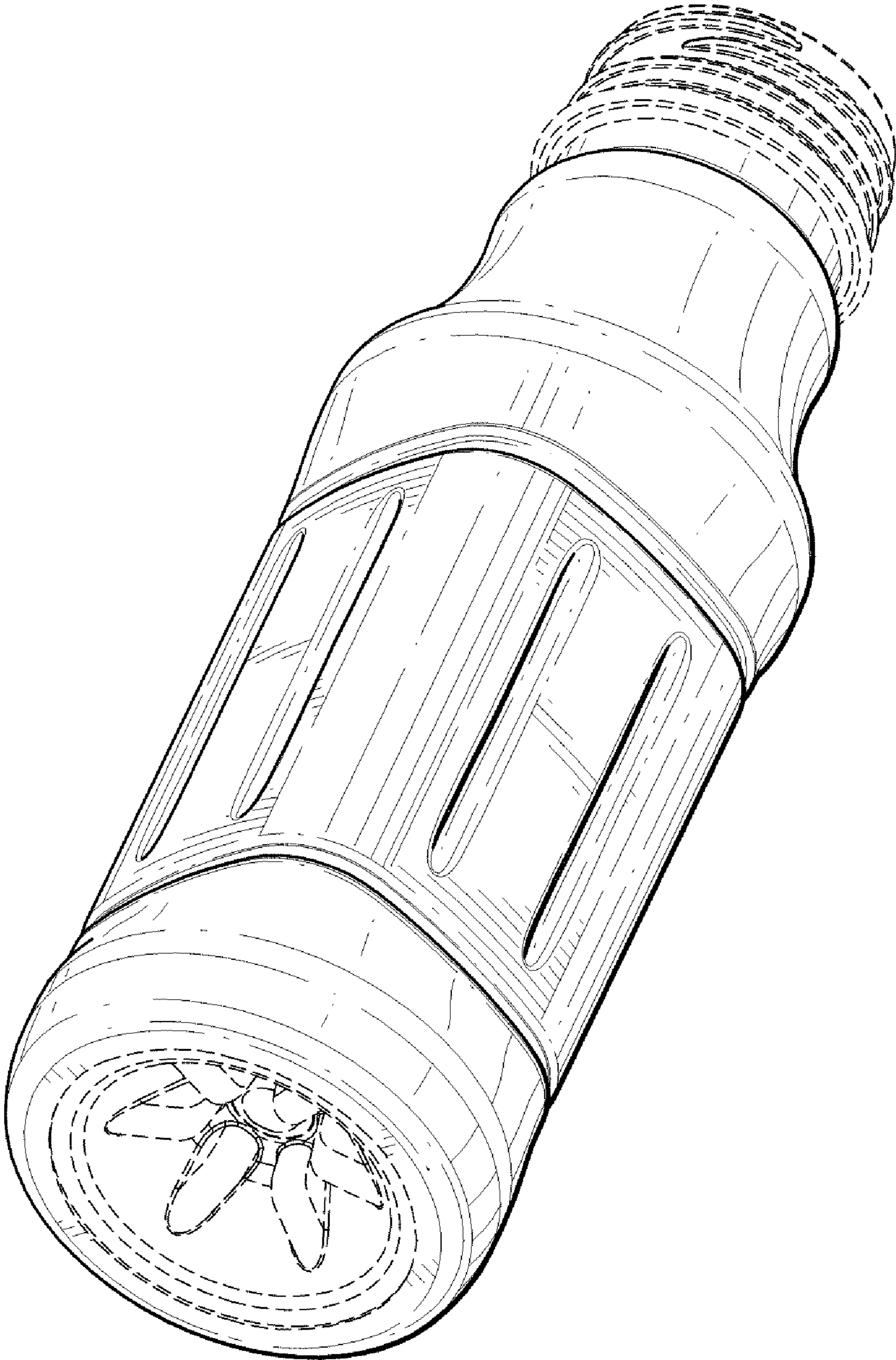


FIG. 2

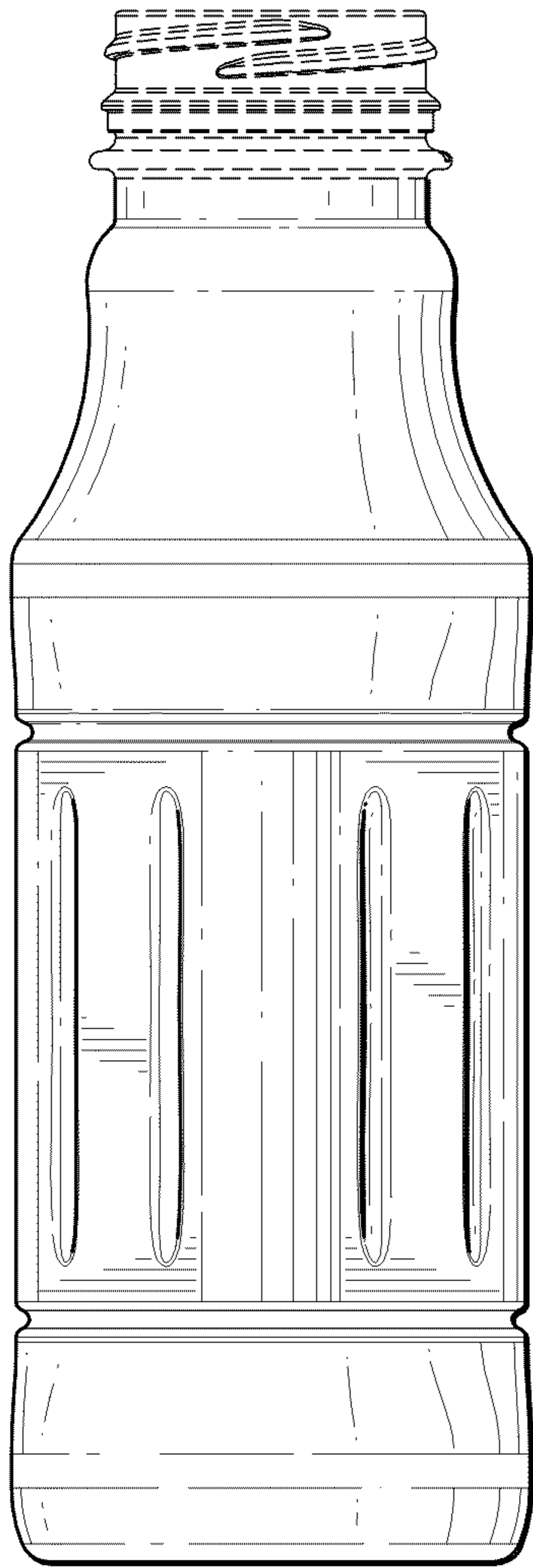


FIG. 3

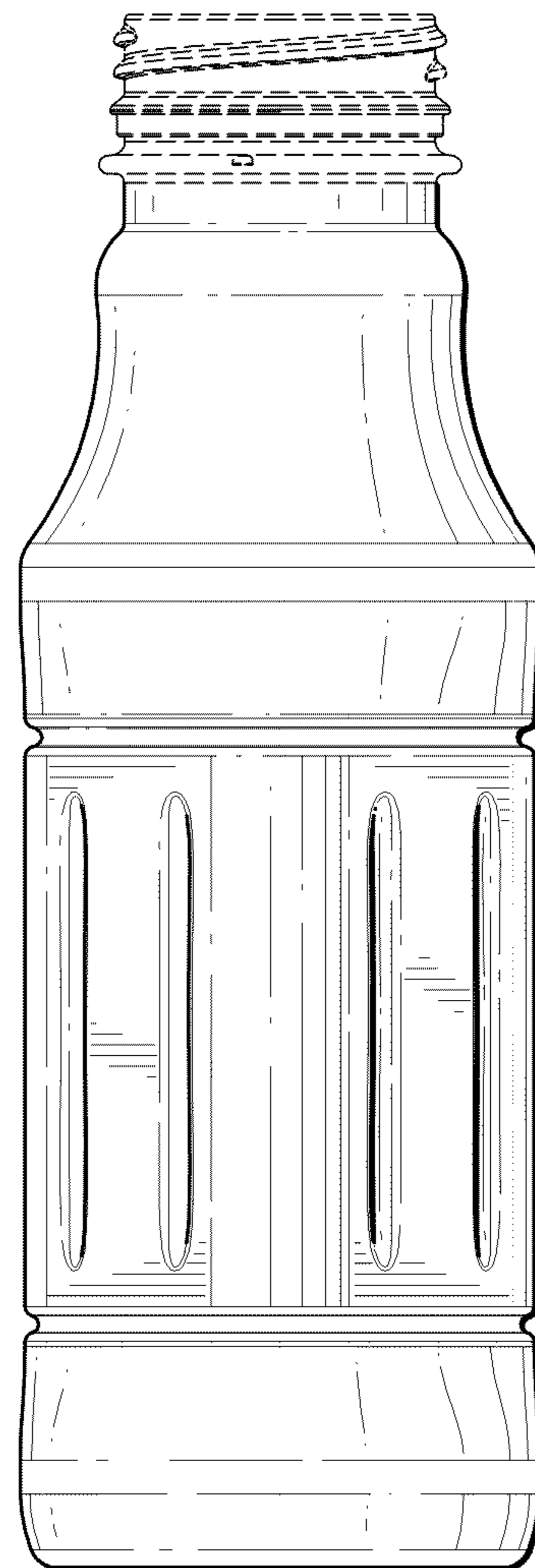


FIG. 4

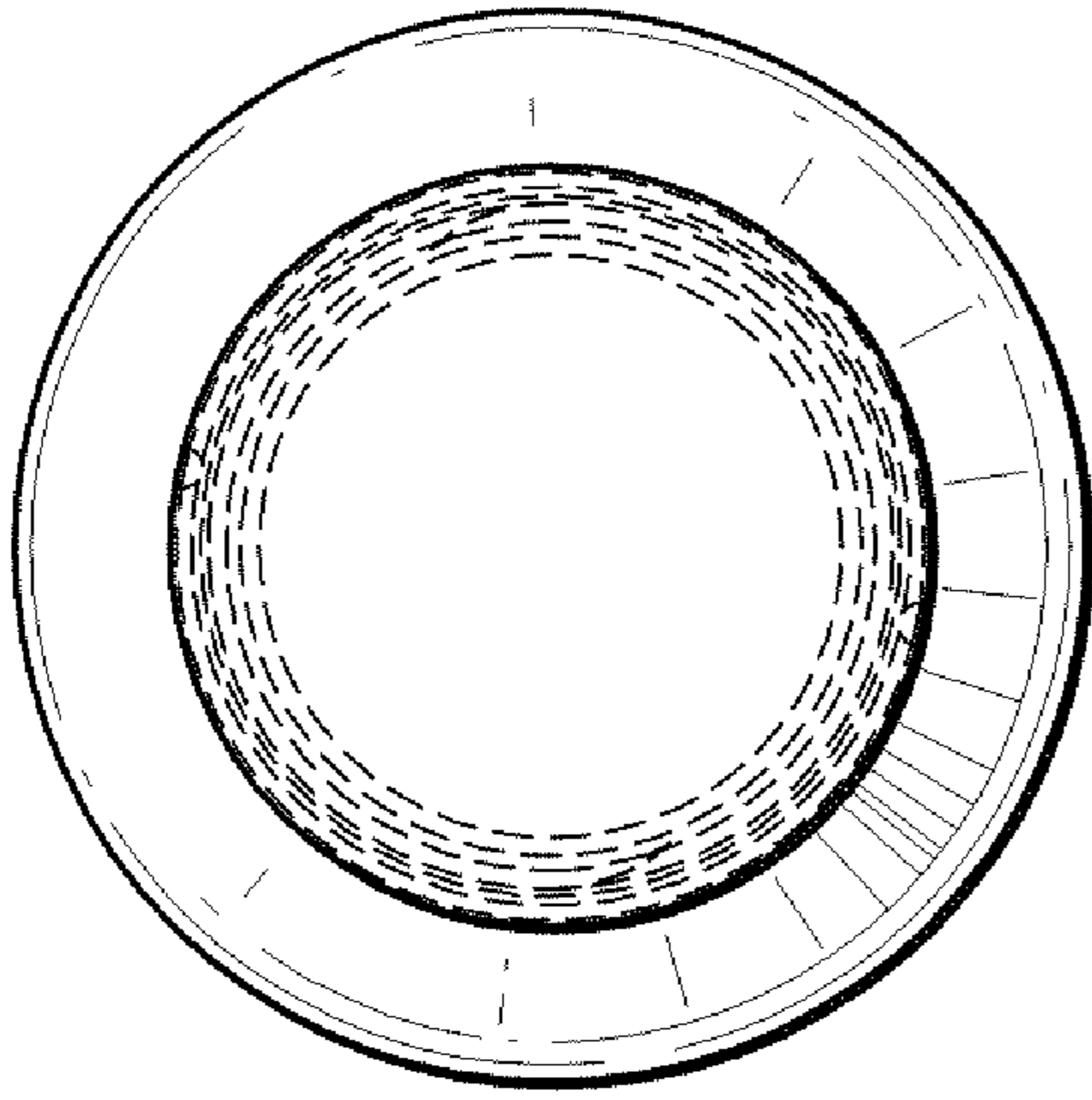


FIG. 5

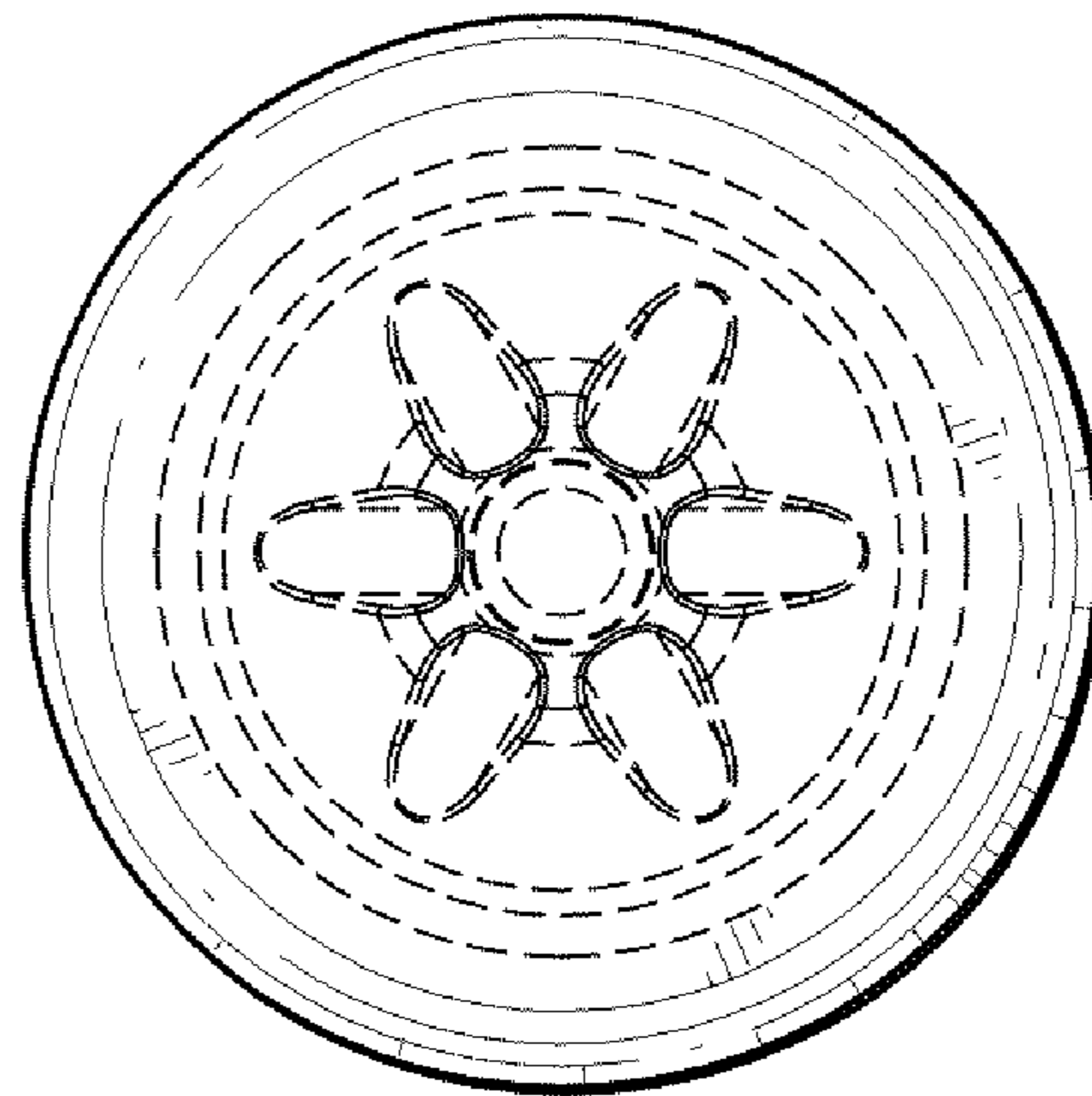


FIG. 6