



US00D652727S

(12) **United States Design Patent**  
**Zancan**

(10) **Patent No.:** **US D652,727 S**

(45) **Date of Patent:** **\*\* Jan. 24, 2012**

(54) **BOTTLE**

(75) Inventor: **Benedetta Zancan**, Santandra (IT)

(73) Assignee: **Cargill, Incorporated**, Wayzata, MN (US)

(\*\*) Term: **14 Years**

(21) Appl. No.: **29/366,280**

(22) Filed: **Jul. 22, 2010**

(51) **LOC (9) Cl.** ..... **09-01**

(52) **U.S. Cl.** ..... **D9/526; D9/557; D9/575**

(58) **Field of Classification Search** ..... D9/516,  
D9/528, 530, 531, 534, 537-539, 541-543,  
D9/549, 551-560, 563, 564, 566-571;  
215/12.1-12.2, 13.1, 381-385, 396-398

See application file for complete search history.

(56) **References Cited**

**U.S. PATENT DOCUMENTS**

D545,684 S \* 7/2007 DeMaso et al. .... D9/557  
D547,667 S \* 7/2007 DeMaso et al. .... D9/557  
D607,337 S \* 1/2010 Zoppas ..... D9/541

D607,338 S \* 1/2010 Zoppas ..... D9/541  
D610,018 S \* 2/2010 Zoppas ..... D9/541  
D618,553 S \* 6/2010 Zoppas ..... D9/541  
D619,011 S \* 7/2010 Zoppas ..... D9/541

\* cited by examiner

*Primary Examiner* — Stella Reid

*Assistant Examiner* — Keli L Hill

(57) **CLAIM**

The ornamental design for a bottle, as shown and described.

**DESCRIPTION**

FIG. 1 is a left side elevation view of a bottle, embodying my new design.

FIG. 2 is a bottom plan view thereof.

FIG. 3 is a right side elevation view thereof.

FIG. 4 is a rear elevation view thereof.

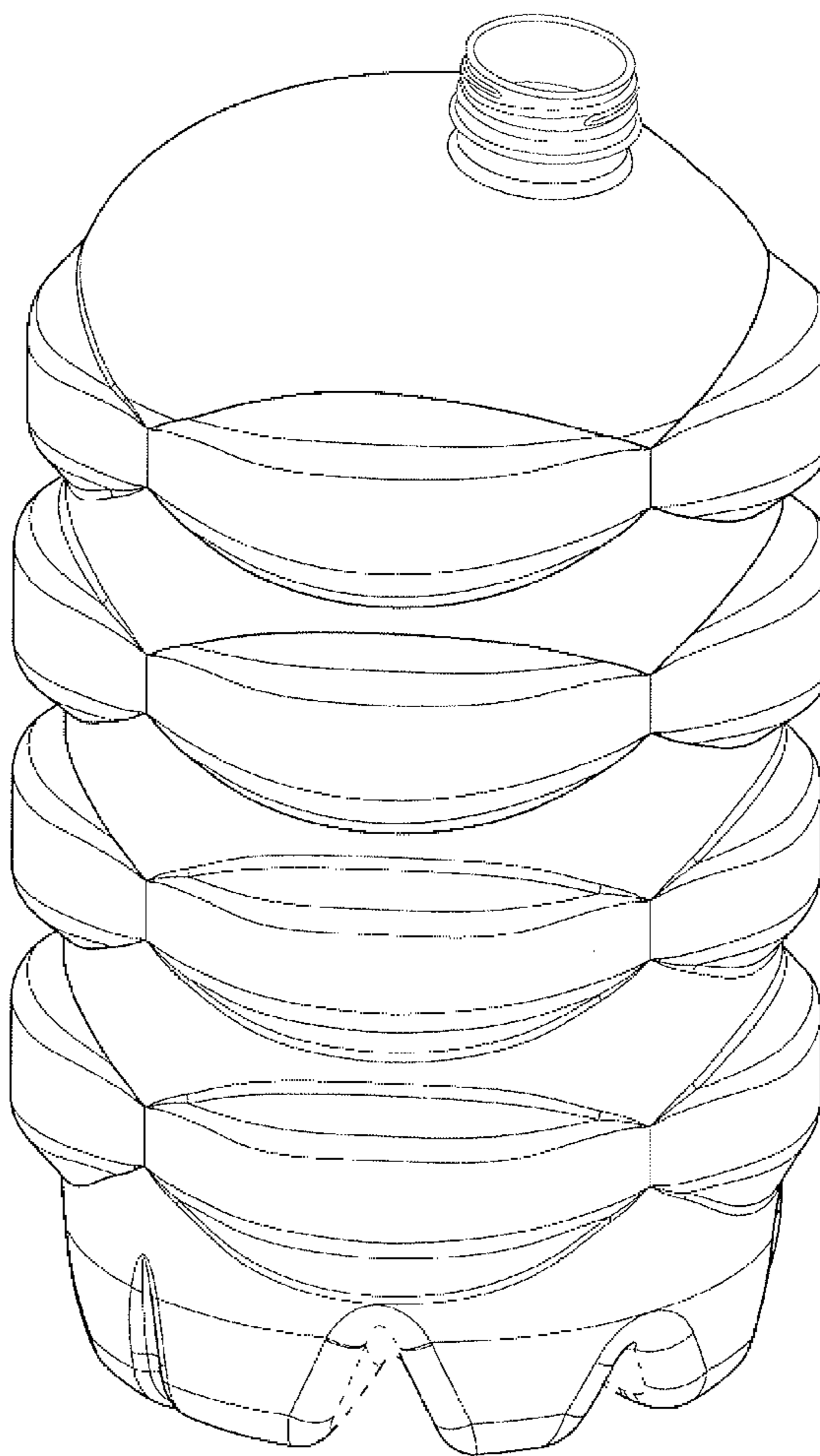
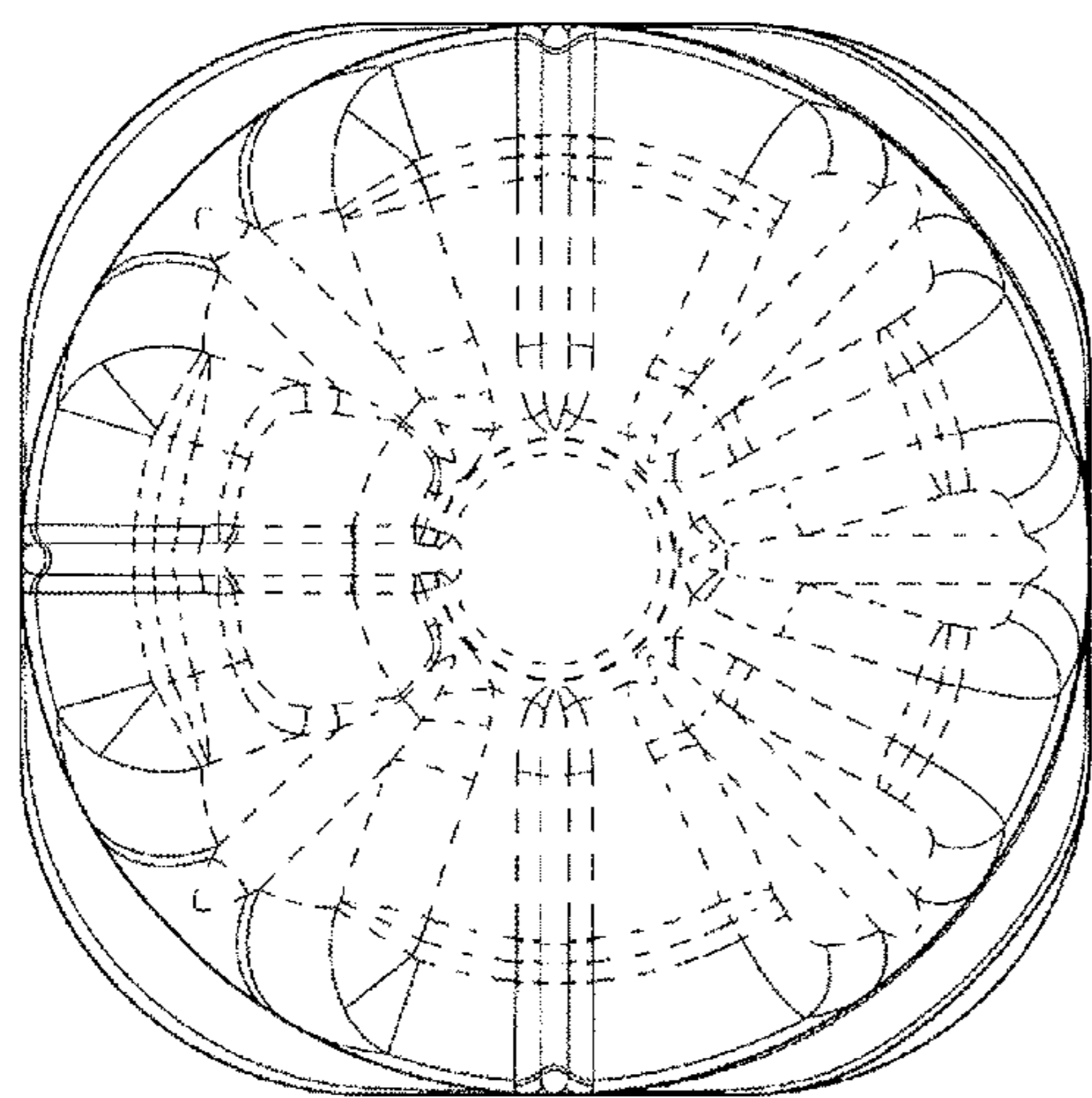
FIG. 5 is a perspective view thereof.

FIG. 6 is a front elevation view thereof; and,

FIG. 7 is a top plan view thereof.

The portions of the article shown in broken lines in FIGS. 1, 2, 3, 4, 5 and 6 form no part of the claimed design.

**1 Claim, 7 Drawing Sheets**



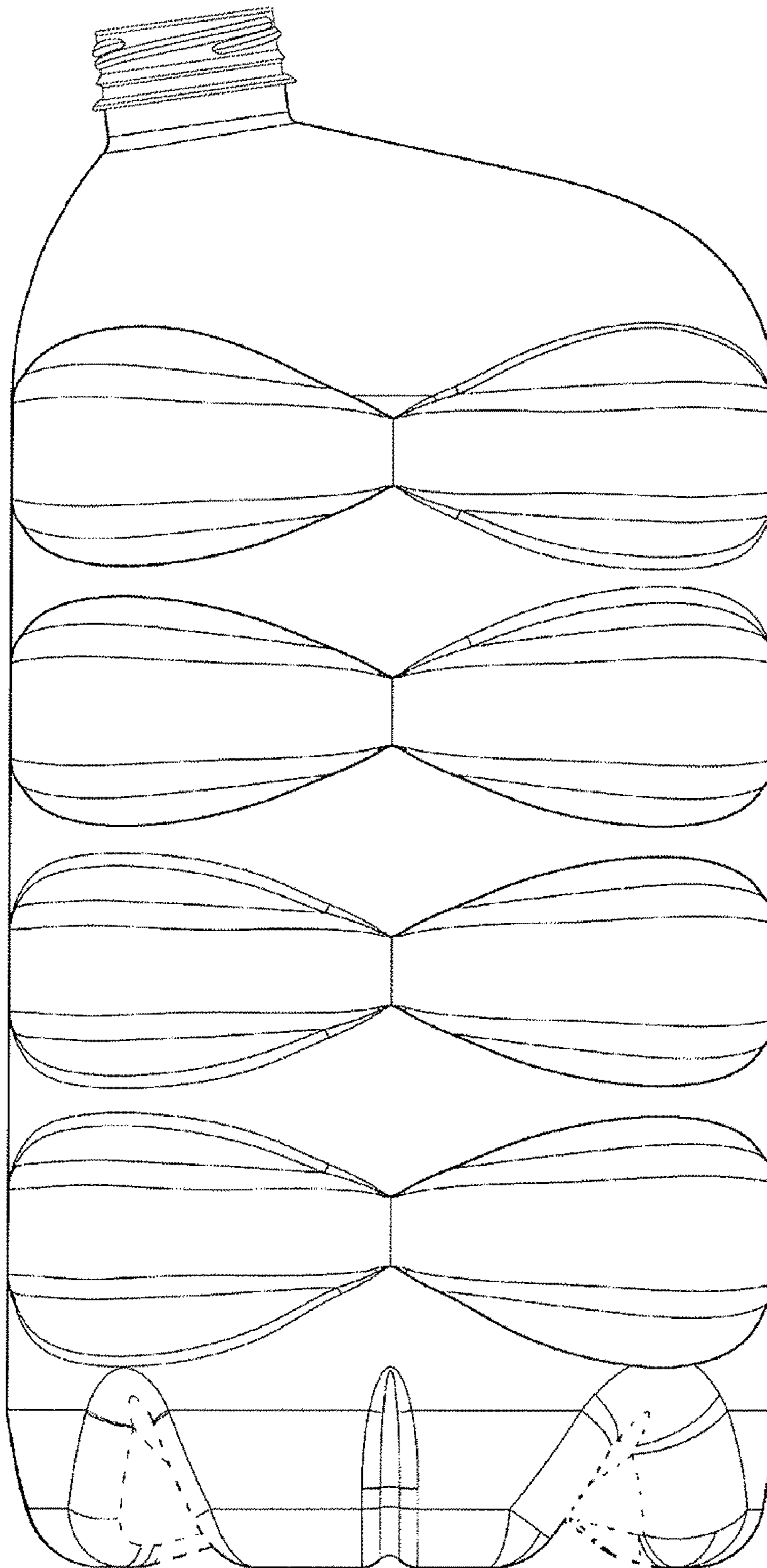


FIG. 1

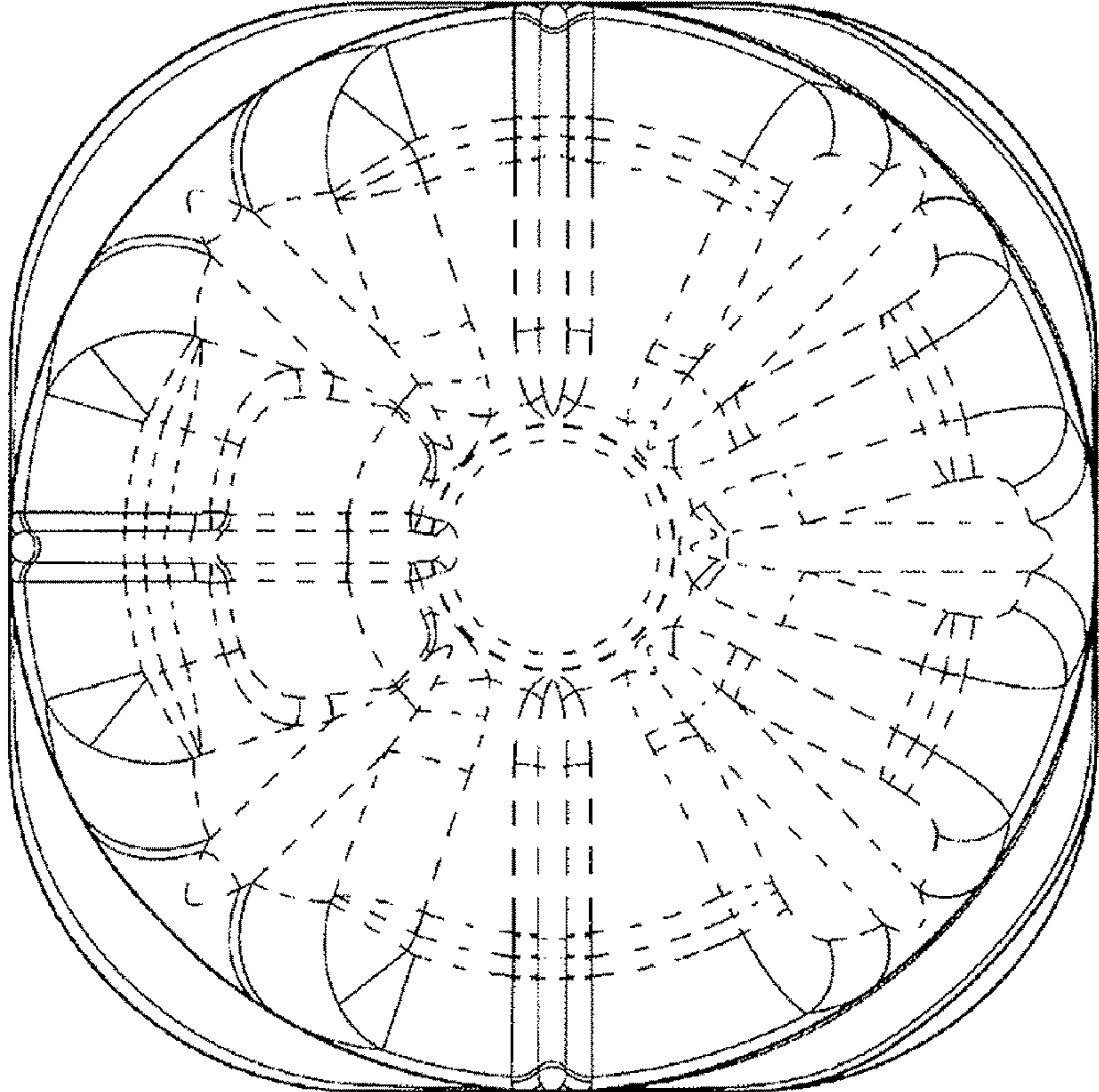


FIG. 2



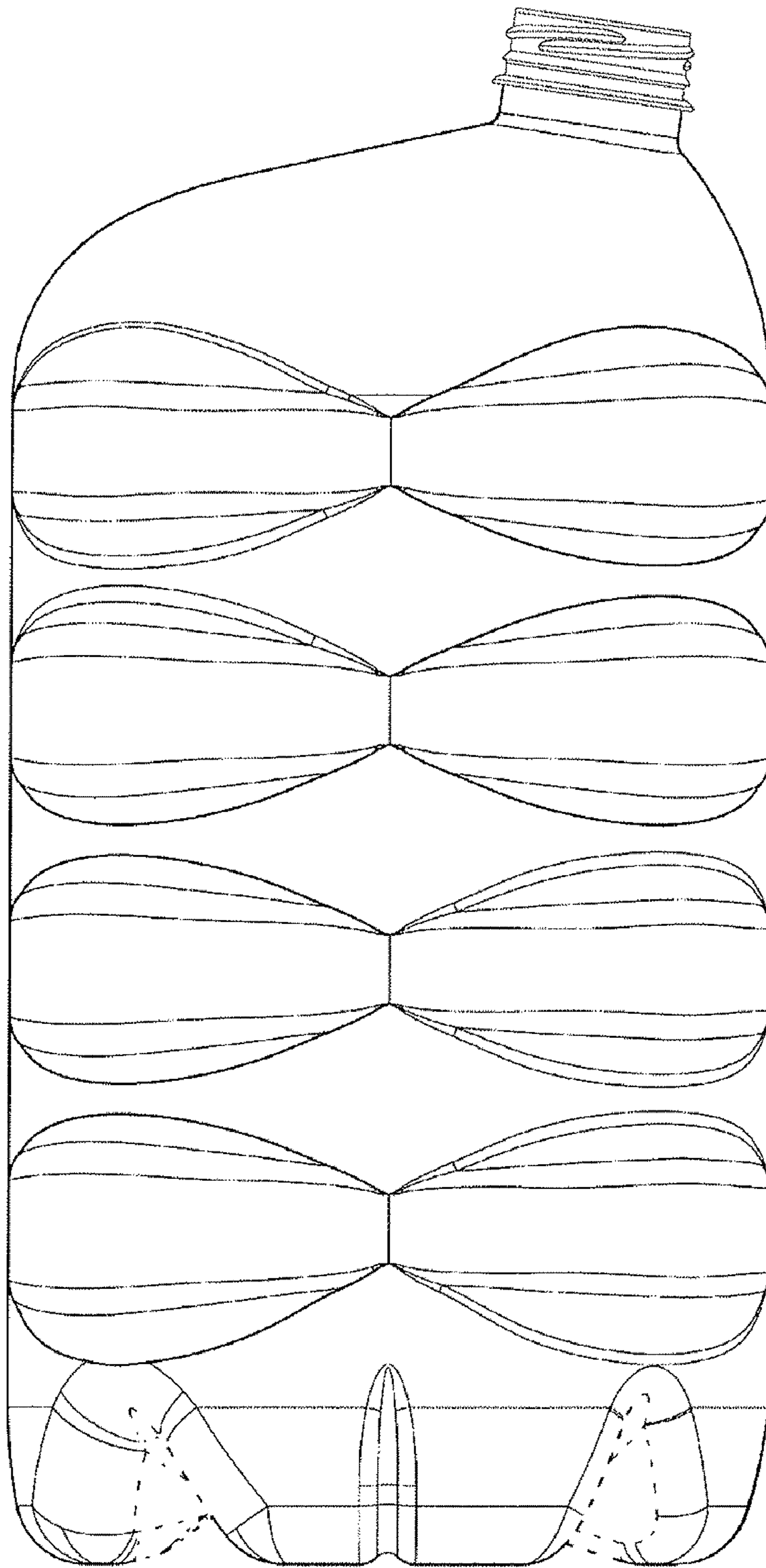


FIG. 3

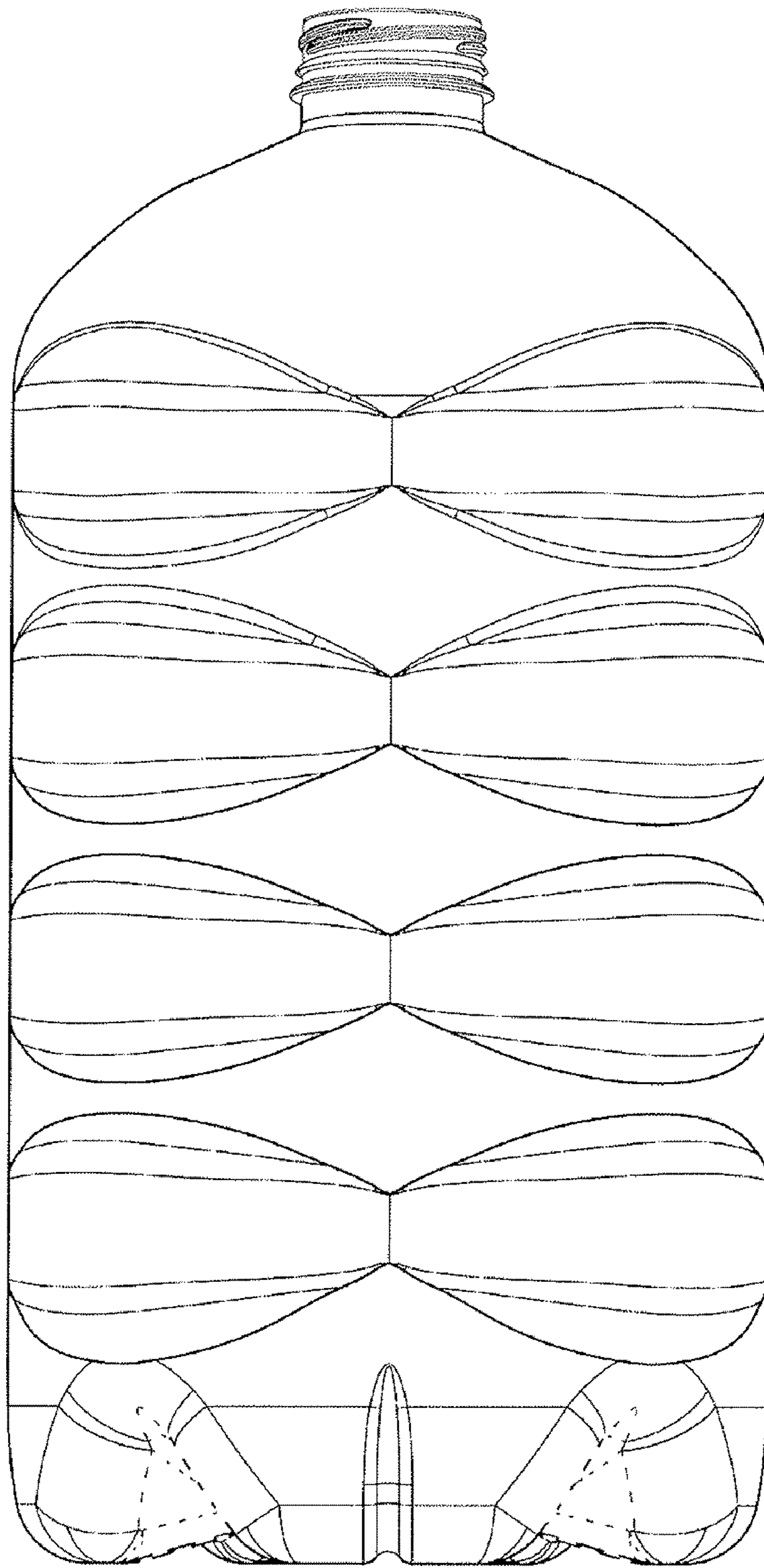


FIG. 4

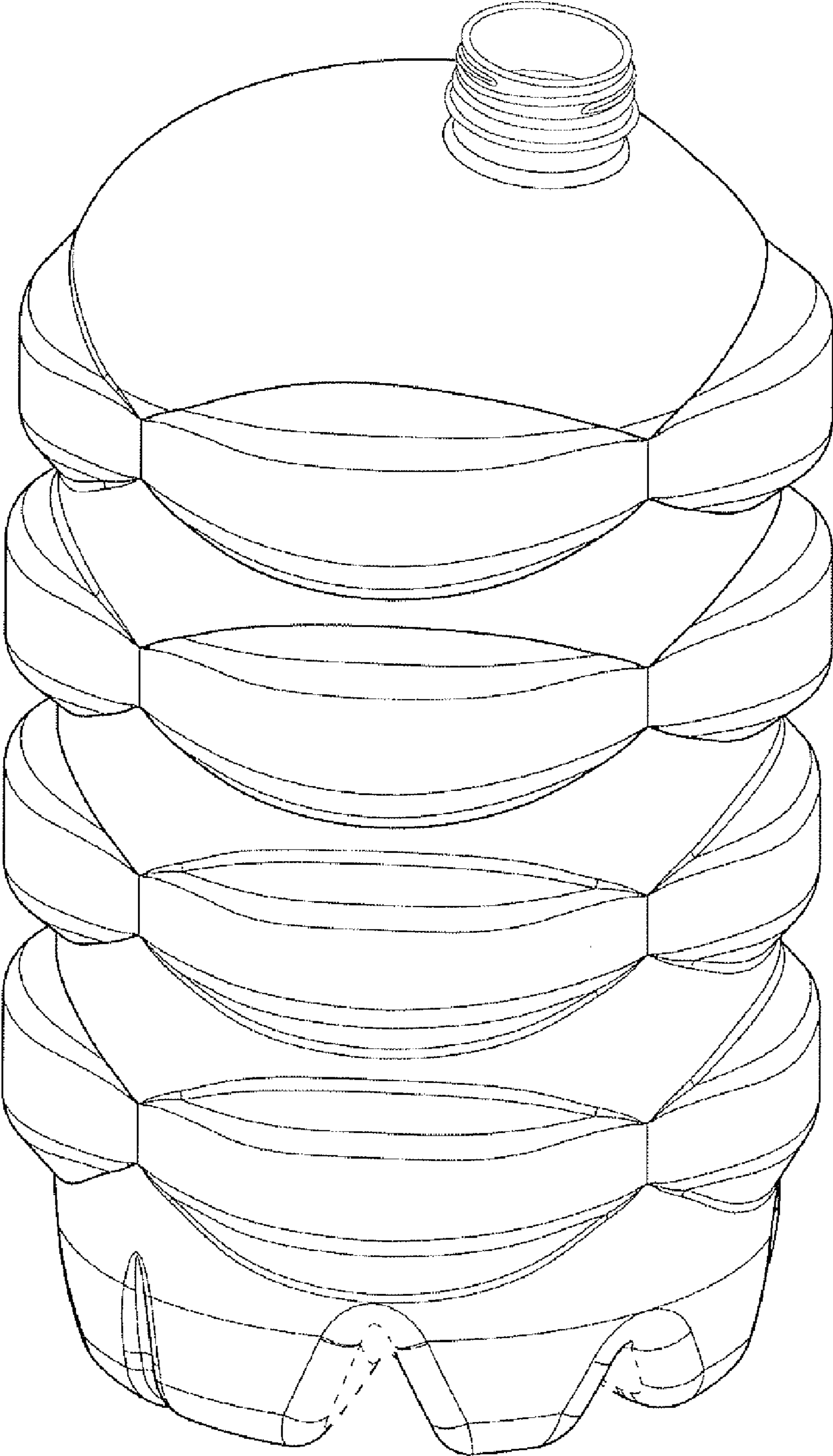


FIG. 5



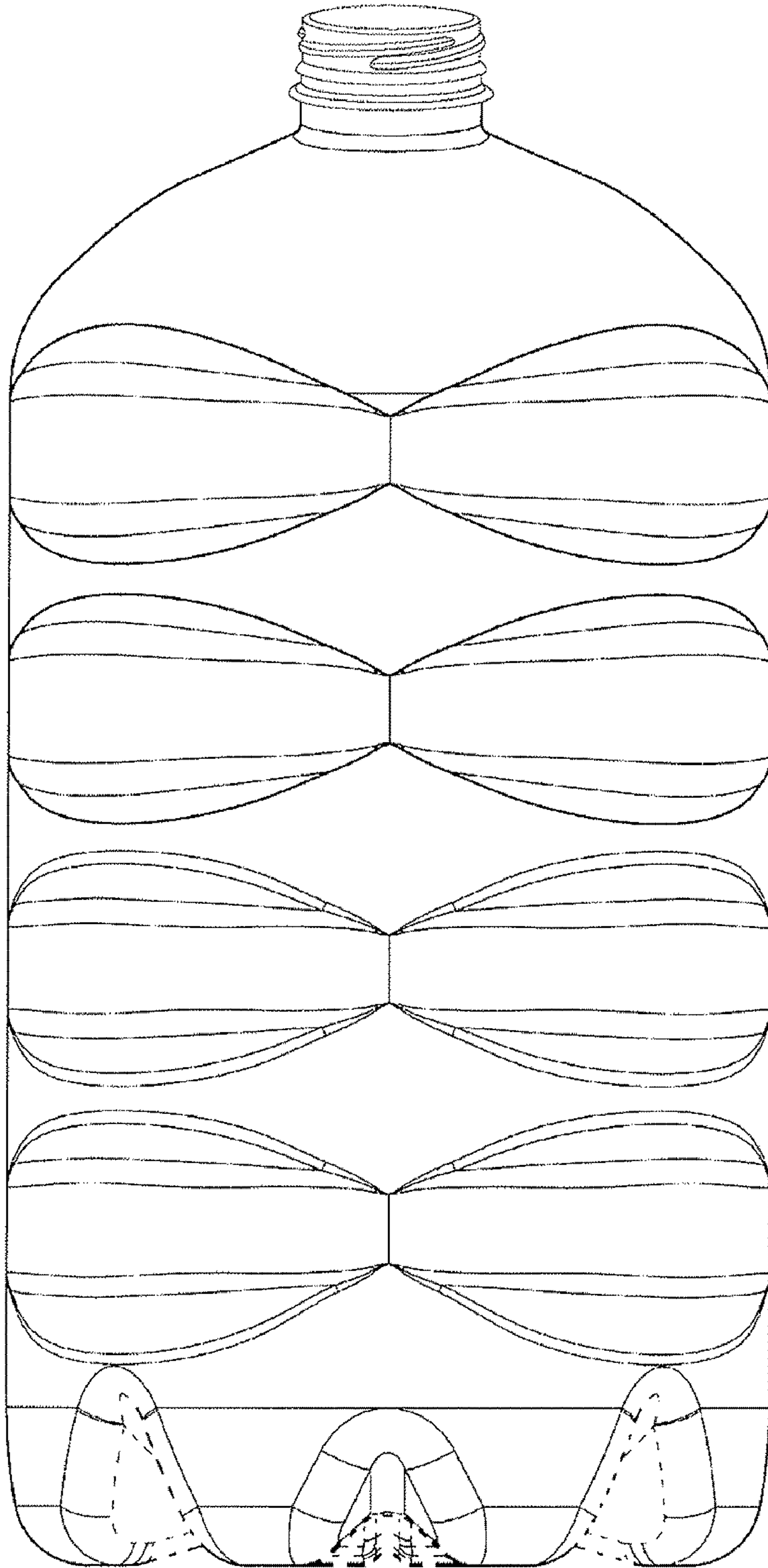


FIG. 6

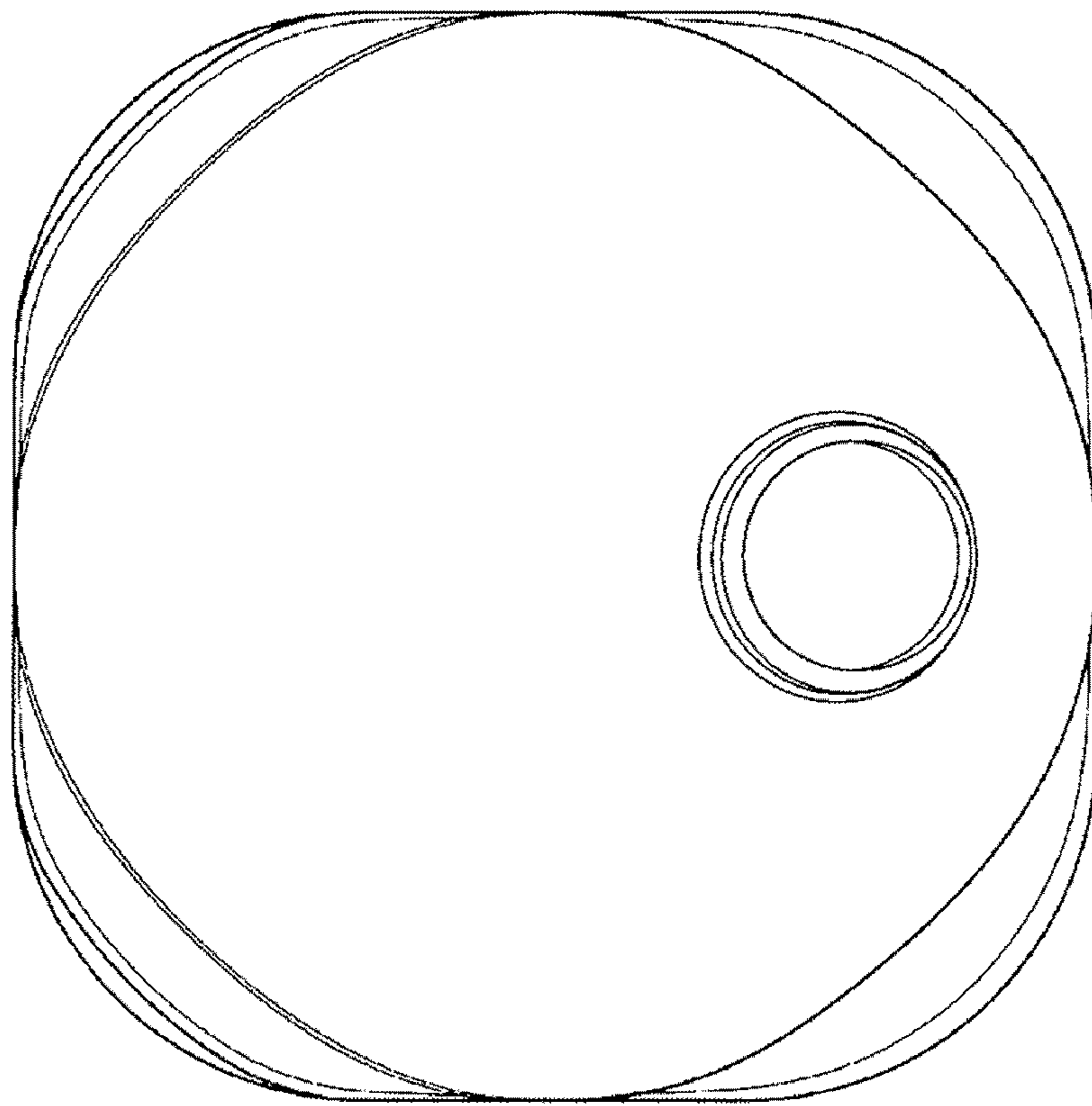


FIG. 7