



US00D652724S

(12) **United States Design Patent**
Snyder et al.

(10) **Patent No.:** **US D652,724 S**
(45) **Date of Patent:** **** Jan. 24, 2012**

(54) **BOTTLE**

(75) Inventors: **MarySue Snyder**, White Plains, NY (US); **Christopher Lavelanet**, Gothenburg (SE); **Jason Billig**, Mt. Vernon, NY (US); **Stuart Leslie**, Larchmont, NY (US); **Dennis C. Connor**, Merrimack, NH (US); **Kim David Lufkin**, Auburn, NH (US)

(73) Assignee: **PepsiCo, Inc.**, Purchase, NY (US)

(**) Term: **14 Years**

(21) Appl. No.: **29/392,069**

(22) Filed: **May 17, 2011**

Related U.S. Application Data

(62) Division of application No. 29/356,538, filed on Feb. 26, 2010, now Pat. No. Des. 643,723.

(51) **LOC (9) Cl.** **09-01**

(52) **U.S. Cl.** **D9/516; D9/538; D9/539**

(58) **Field of Classification Search** D9/516, D9/522, 530, 536-543, 557-558, 563, 571, D9/574, 520, 549-550, 552, 667; 215/379, 215/381-384; 220/660, 662, 669-673, 675

See application file for complete search history.

(56) **References Cited**

U.S. PATENT DOCUMENTS

D408,684 S	*	4/1999	Helm	D7/510
D412,120 S		7/1999	Payne et al.		
D412,848 S		8/1999	Payne et al.		
D436,042 S		1/2001	Krishnakumar et al.		
D441,659 S		5/2001	Di Canio et al.		
D442,492 S		5/2001	Krishnakumar et al.		
D443,827 S		6/2001	Krishnakumar et al.		
D446,457 S		8/2001	Krishnakumar et al.		
D447,690 S		9/2001	Lichtman et al.		
D457,065 S		5/2002	Krishnakumar et al.		
D464,267 S		10/2002	Mixon		
D464,268 S		10/2002	Mixon		

D482,620 S	11/2003	Kleckauskas
D482,976 S	12/2003	Melrose
6,739,467 B2	5/2004	Saito et al.
6,964,347 B2	11/2005	Miura
6,981,604 B2	1/2006	Lizuka et al.
D531,910 S	11/2006	Melrose
D533,785 S	12/2006	Corbett et al.
D535,884 S	1/2007	Davis et al.
D535,885 S	1/2007	Davis et al.
D536,255 S	2/2007	Corbett et al.
D538,164 S	3/2007	Zach et al.
D542,142 S	5/2007	Walton et al.
D547,664 S	7/2007	Davis et al.
D559,112 S	1/2008	Hyde et al.
D561,596 S	2/2008	Hyde et al.
D565,416 S	4/2008	Lepoitevin
D582,778 S	12/2008	Burson

(Continued)

FOREIGN PATENT DOCUMENTS

FR DM/048086 6/1999

Primary Examiner — Ian Simmons

Assistant Examiner — Dana L Sipos

(74) *Attorney, Agent, or Firm* — Banner & Witcoff, Ltd.

(57) **CLAIM**

The ornamental design for a bottle, as shown and described.

DESCRIPTION

FIG. 1 is a top, front, right side perspective view showing our new design;

FIG. 2 is a front view thereof;

FIG. 3 is a rear view thereof;

FIG. 4 is a right view thereof;

FIG. 5 is a left view thereof;

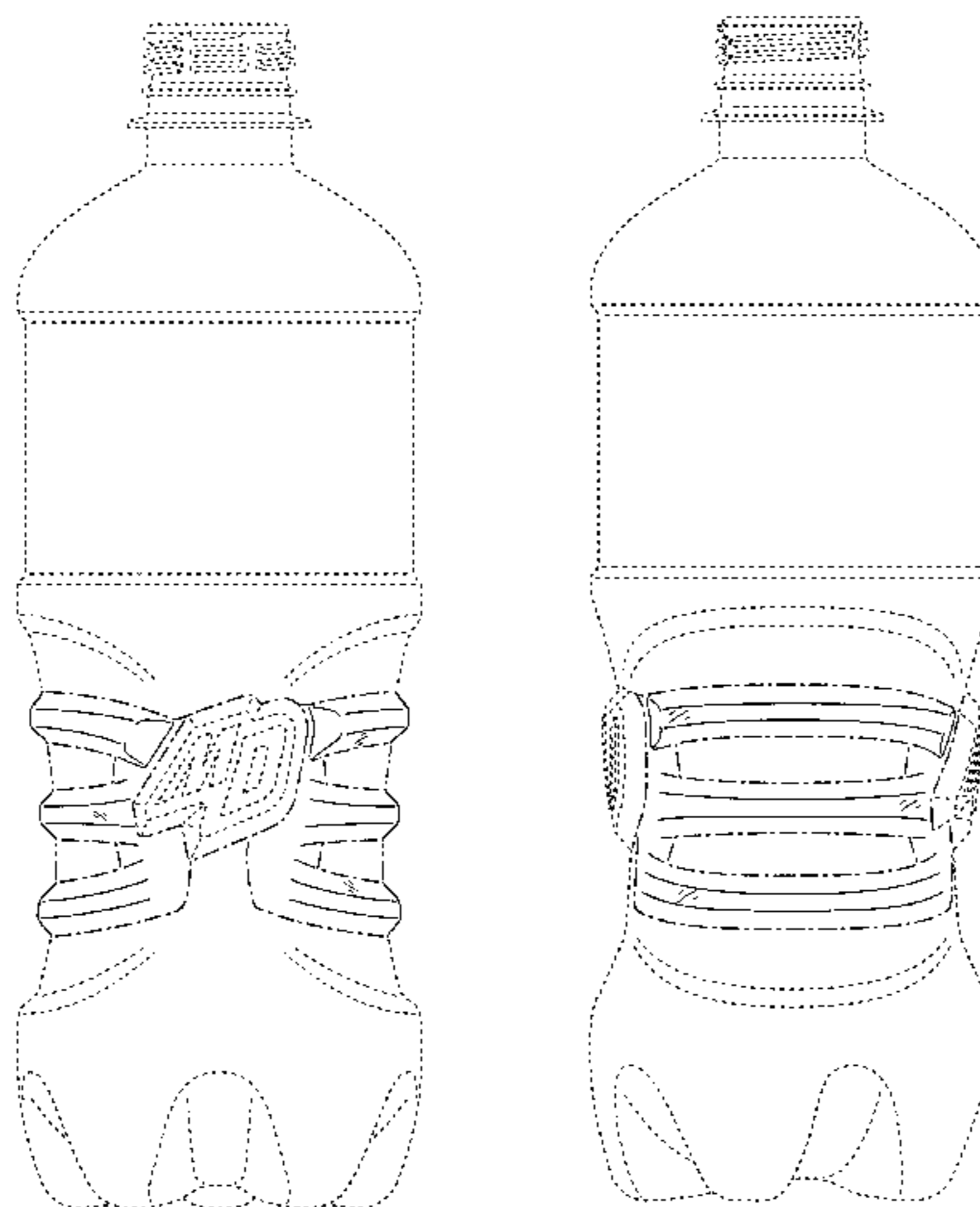
FIG. 6 is a top view thereof;

FIG. 7 is a bottom view thereof; and,

FIG. 8 is a bottom, right perspective view thereof.

The uneven-length broken lines represent unclaimed boundaries of the claimed design. The even-length broken lines showing the remainder of the bottle are for environmental purposes only and form no part of the claimed design.

1 Claim, 7 Drawing Sheets



US D652,724 S

Page 2

U.S. PATENT DOCUMENTS

D592,962 S	5/2009	Dorn et al.		D606,869 S	12/2009	Hackl	
D592,963 S	5/2009	Dorn et al.		D606,879 S	12/2009	Nelson et al.	
D593,412 S *	6/2009	Gonzalez et al.	D9/516	D609,105 S	2/2010	Tiefenback	
D601,031 S	9/2009	Martinez et al.		D610,908 S	3/2010	Kuzma et al.	
D603,713 S	11/2009	James et al.		D612,252 S	3/2010	Nelson et al.	
D604,169 S	11/2009	Melossi		D612,265 S	3/2010	Nelson et al.	
D604,171 S	11/2009	Burke et al.		D643,723 S *	8/2011	Snyder et al.	D9/516
D605,947 S	12/2009	Debuire		2008/0110854 A1	5/2008	Kelly	

* cited by examiner

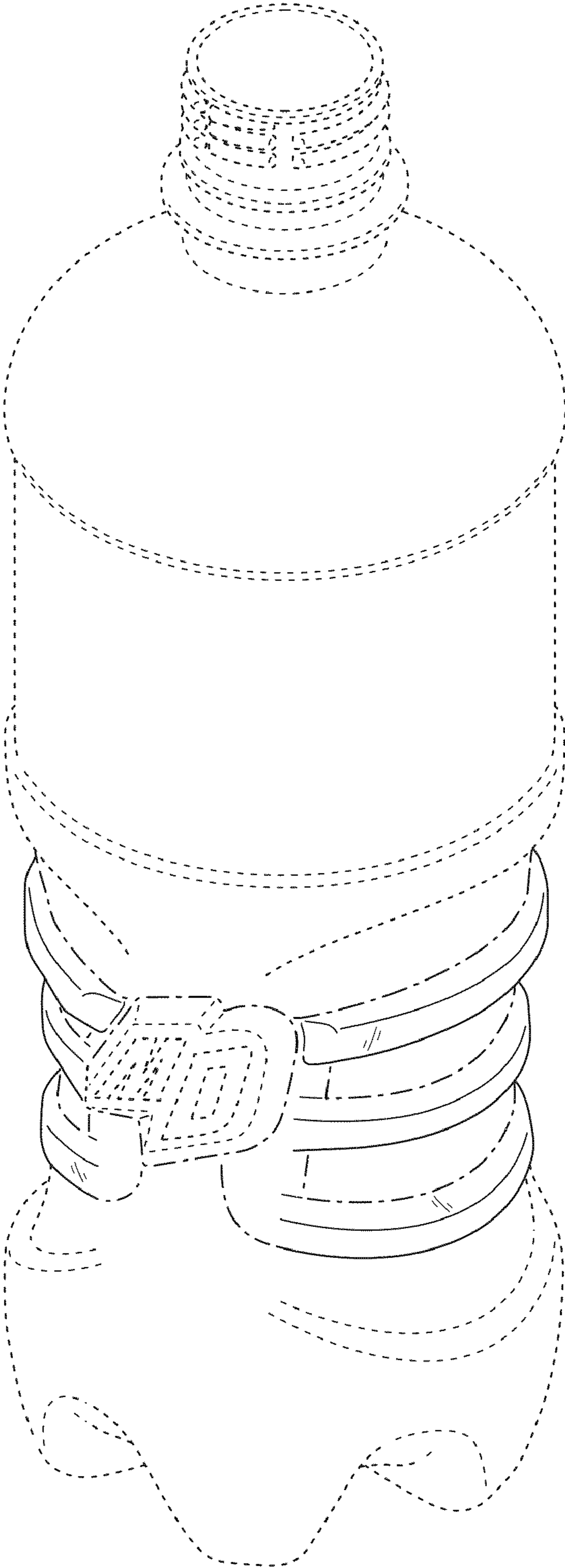


FIG. 1

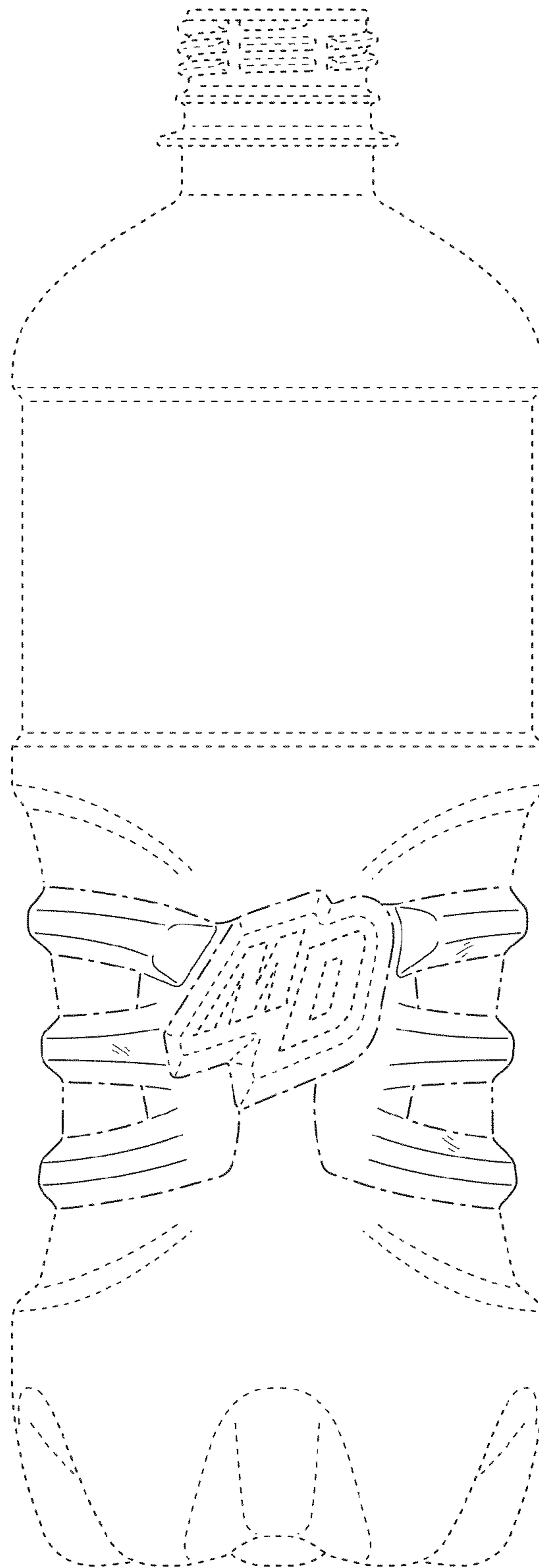


FIG. 2

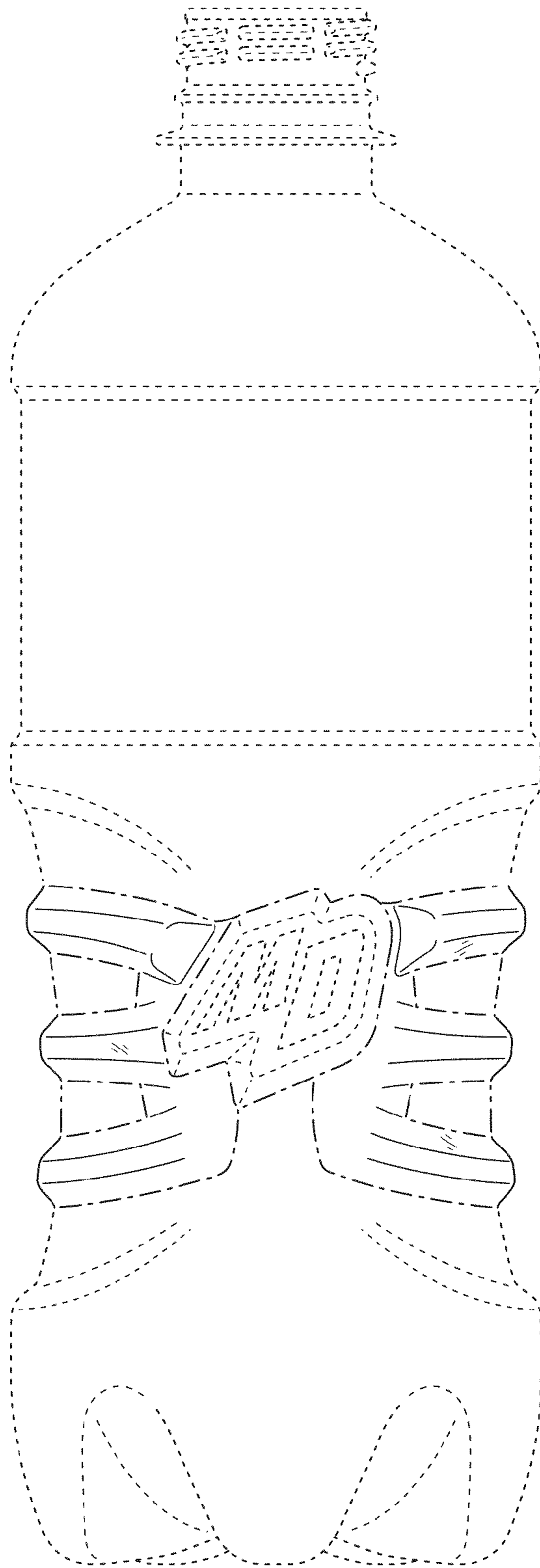


FIG. 3

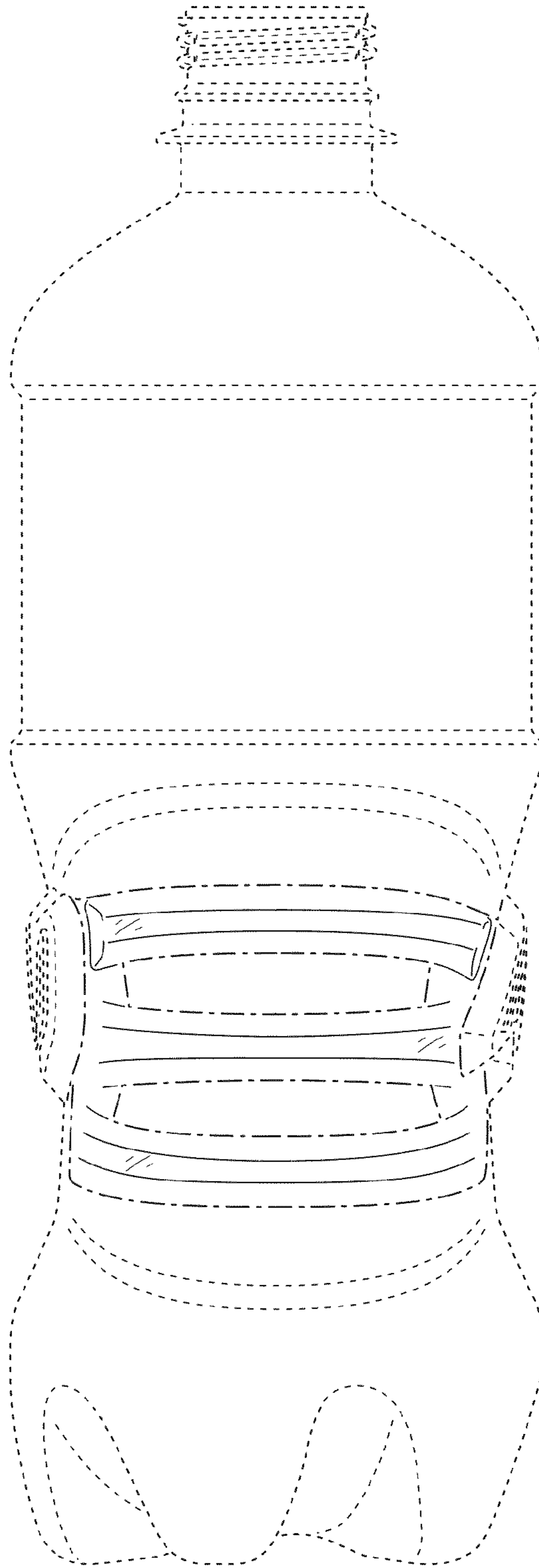


FIG. 4

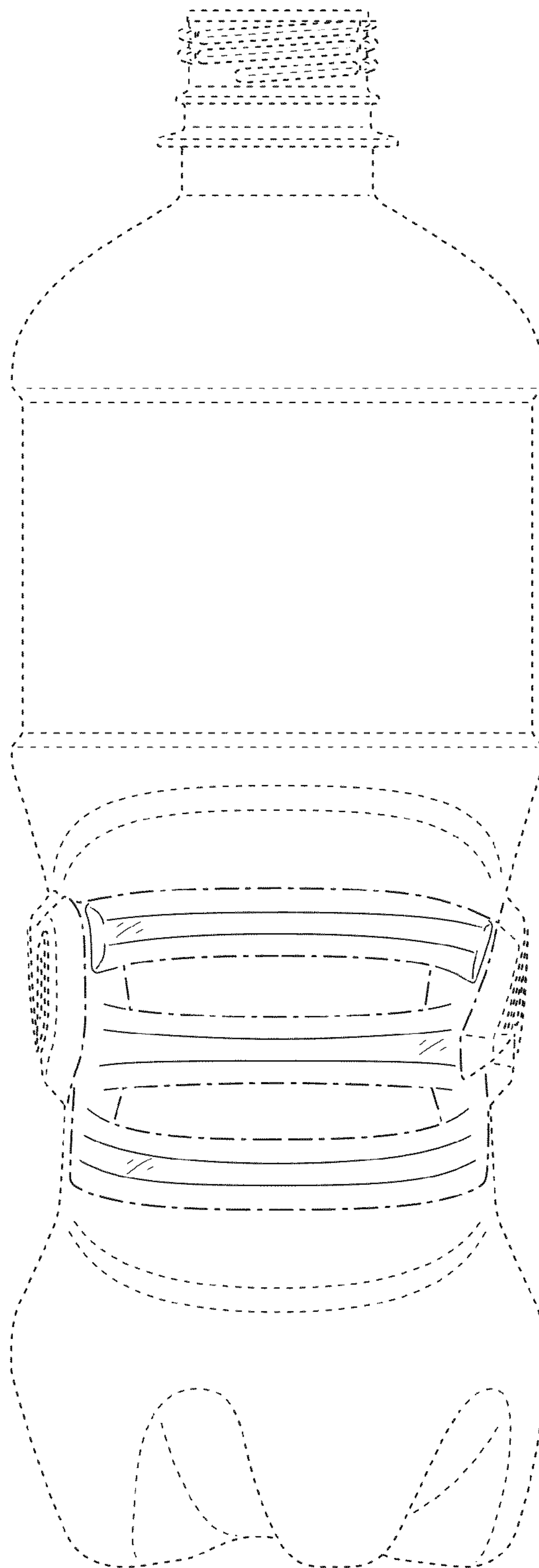


FIG. 5

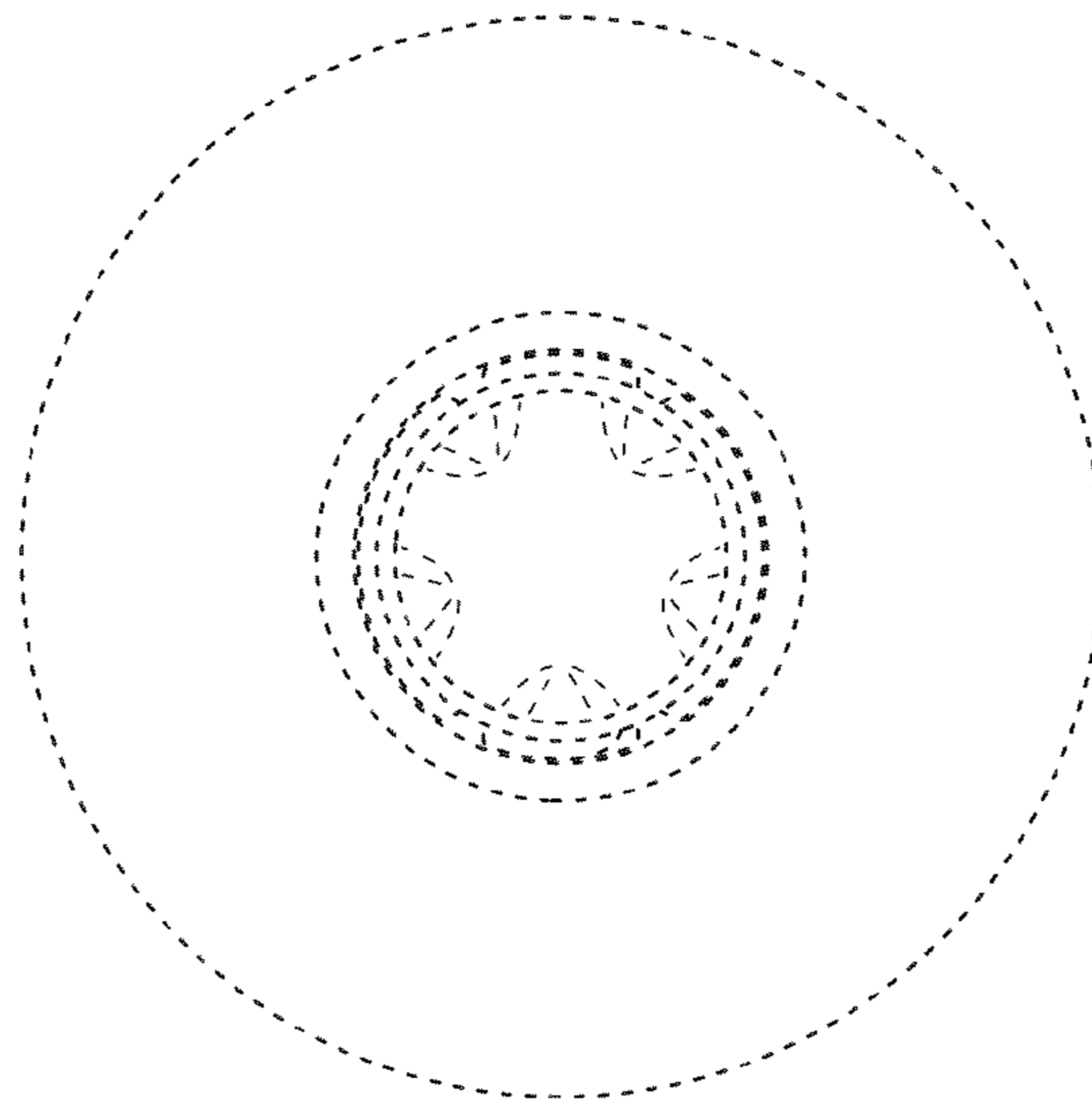


FIG. 6

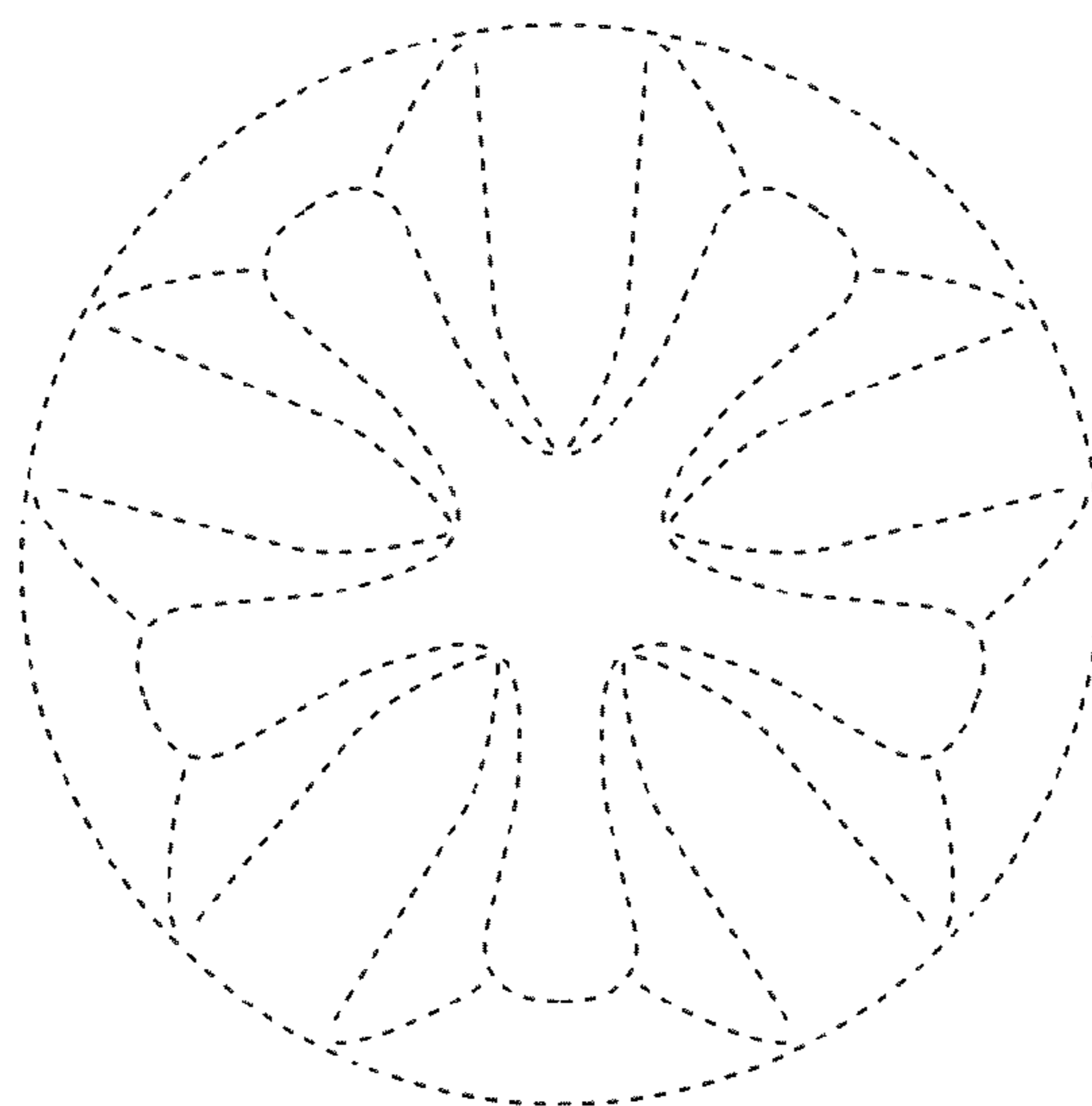


FIG. 7

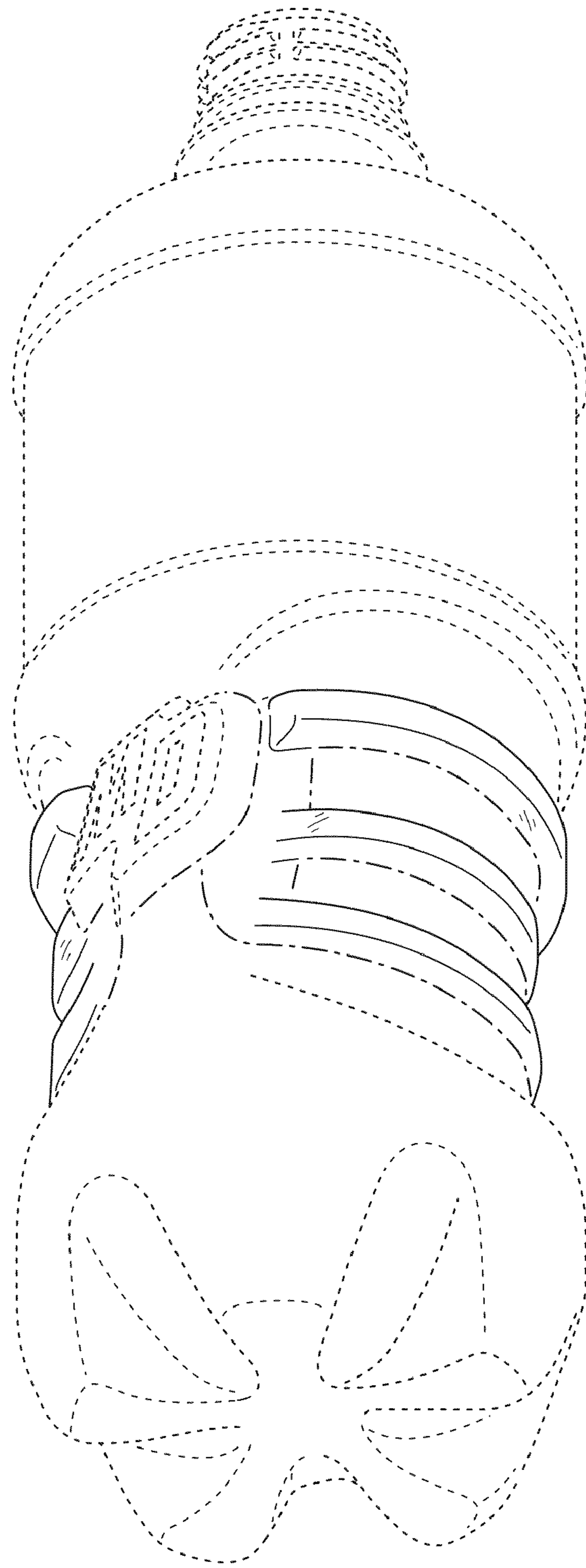


FIG. 8