



US00D652723S

(12) **United States Design Patent**  
**Reisig**

(10) **Patent No.:** **US D652,723 S**  
(45) **Date of Patent:** **\*\* Jan. 24, 2012**

- (54) **BOTTLE NECK AND SHOULDER**
  - (75) Inventor: **Karl A. Reisig**, Maumee, OH (US)
  - (73) Assignee: **Owens-Breckway Glass Container Inc.**, Perrysburg, OH (US)
  - (\*\*) Term: **14 Years**
  - (21) Appl. No.: **29/364,925**
  - (22) Filed: **Jun. 30, 2010**
  - (51) **LOC (9) Cl.** ..... **09-01**
  - (52) **U.S. Cl.** ..... **D9/516**
  - (58) **Field of Classification Search** ..... D9/500,  
D9/512-505, 516, 537, 539, 544-545, 549,  
D9/558, 574-575, 763-764, 772; 215/379,  
215/382-384; 220/660, 662, 669, 675, 569,  
220/906
- See application file for complete search history.

(56) **References Cited**

**U.S. PATENT DOCUMENTS**

- D92,953 S \* 8/1934 Gaynor ..... D9/545
- D155,061 S 8/1949 Williams
- D236,434 S 8/1975 Shine
- D260,732 S \* 9/1981 Walker ..... D9/500
- D476,896 S \* 7/2003 Cheng et al. .... D9/520

- D508,409 S 8/2005 Hewson
- D511,300 S 11/2005 Hewson
- D569,729 S \* 5/2008 Pedmo et al. .... D9/520

**FOREIGN PATENT DOCUMENTS**

WO DM/073262 \* 2/2010

\* cited by examiner

*Primary Examiner* — Ian Simmons

*Assistant Examiner* — Dana L Sipos

(57) **CLAIM**

I claim the ornamental design for a bottle neck and shoulder, as shown and described.

**DESCRIPTION**

FIG. 1 is a top perspective view of a bottle neck and shoulder in accordance with the present invention.

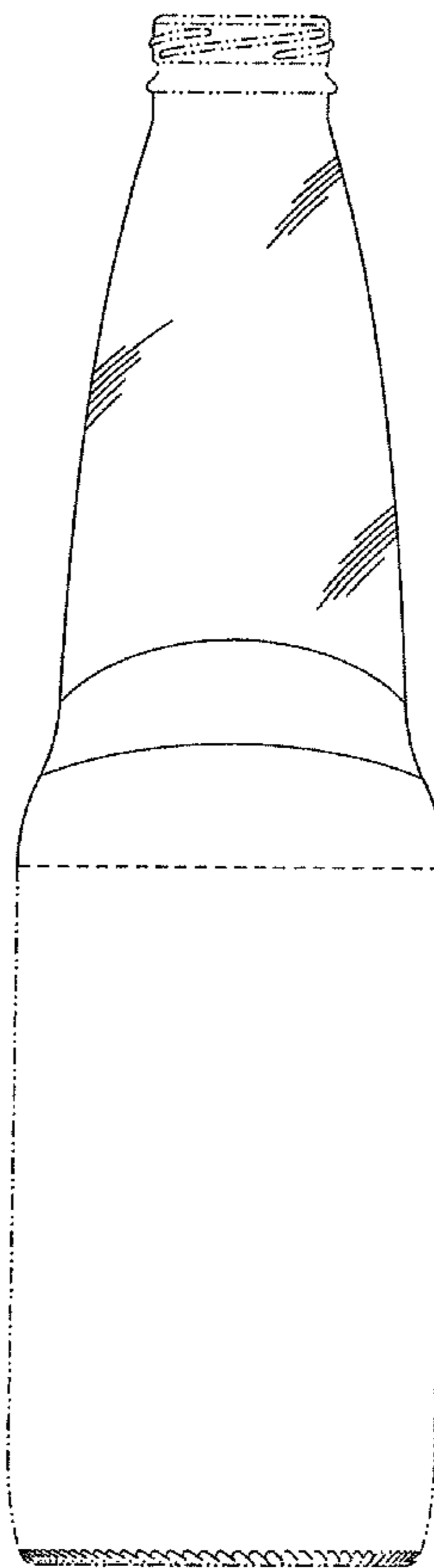
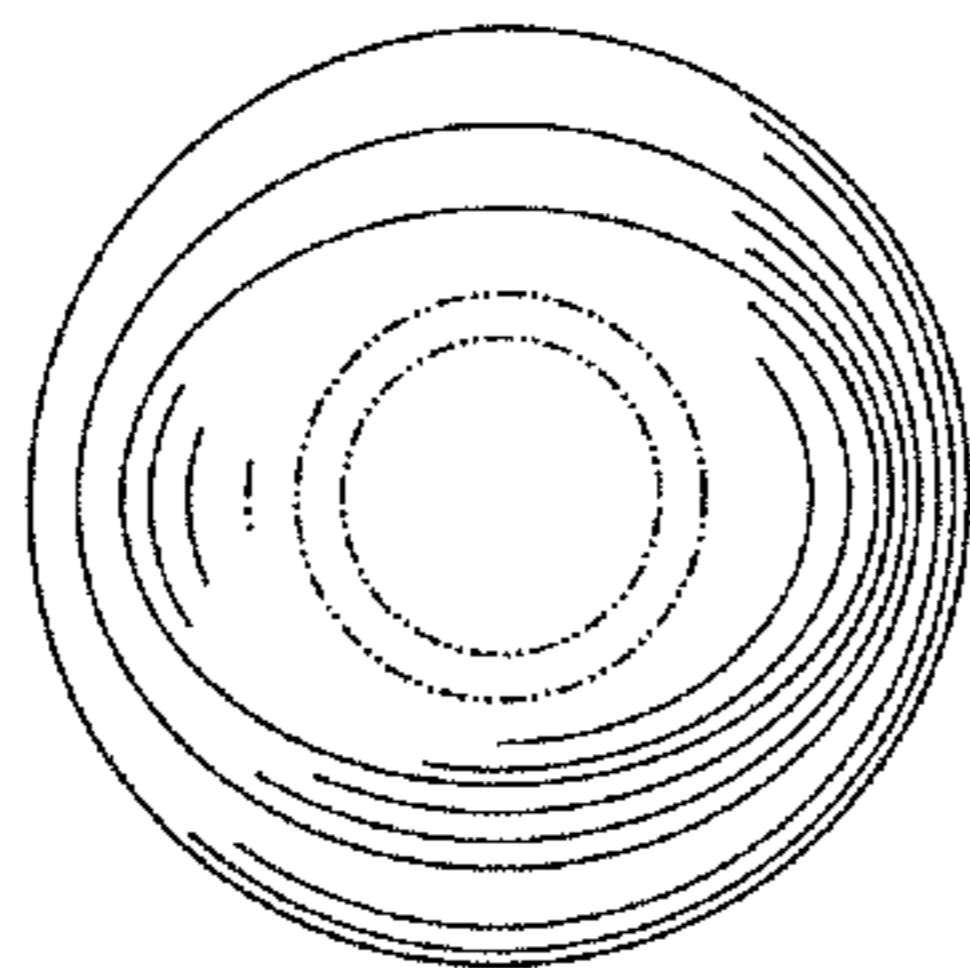
FIG. 2 is a top plan view thereof.

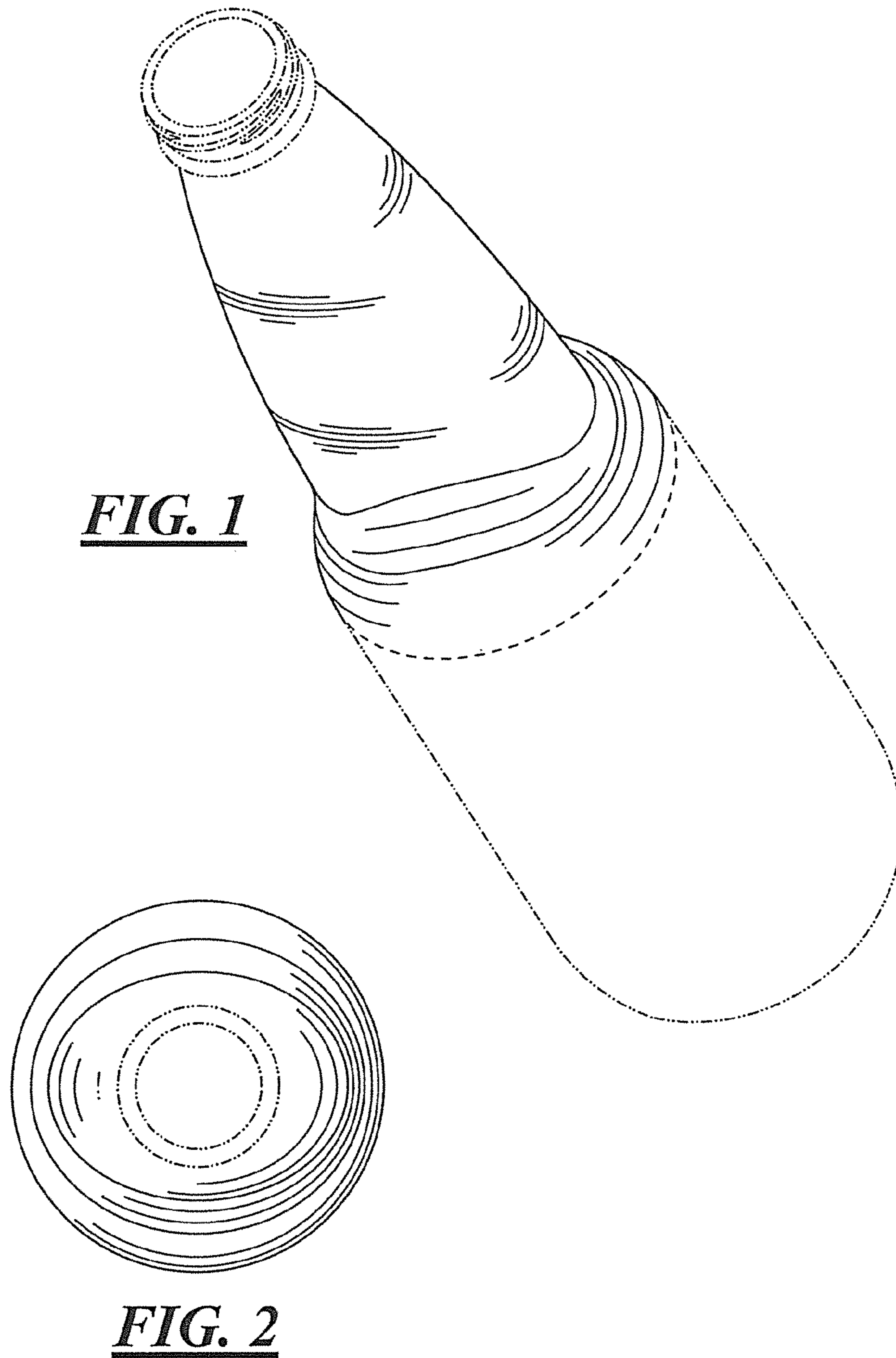
FIG. 3 is a front elevational view thereof, the rear elevational view being identical; and,

FIG. 4 is a side elevation view thereof, the opposing side elevational view being identical.

The dot-dot-dash broken lines in the drawings showing the neck finish and body of the bottle illustrate the portions of the design that form no part of the claim. The evenly dashed broken lines in the drawings define the bounds of the claim and form no part thereof.

**1 Claim, 2 Drawing Sheets**





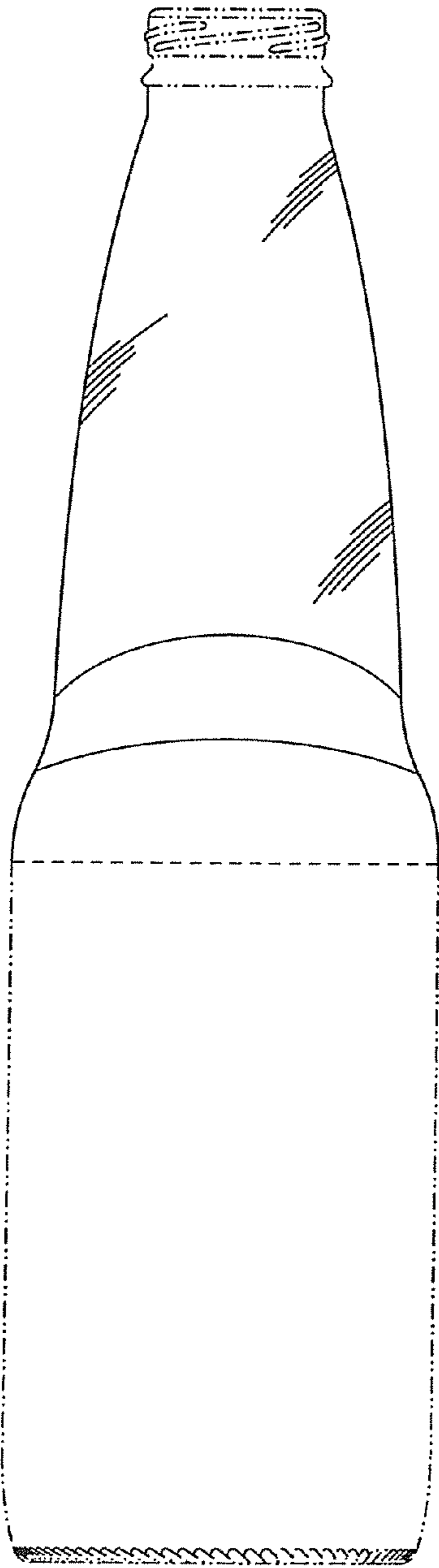


FIG. 3

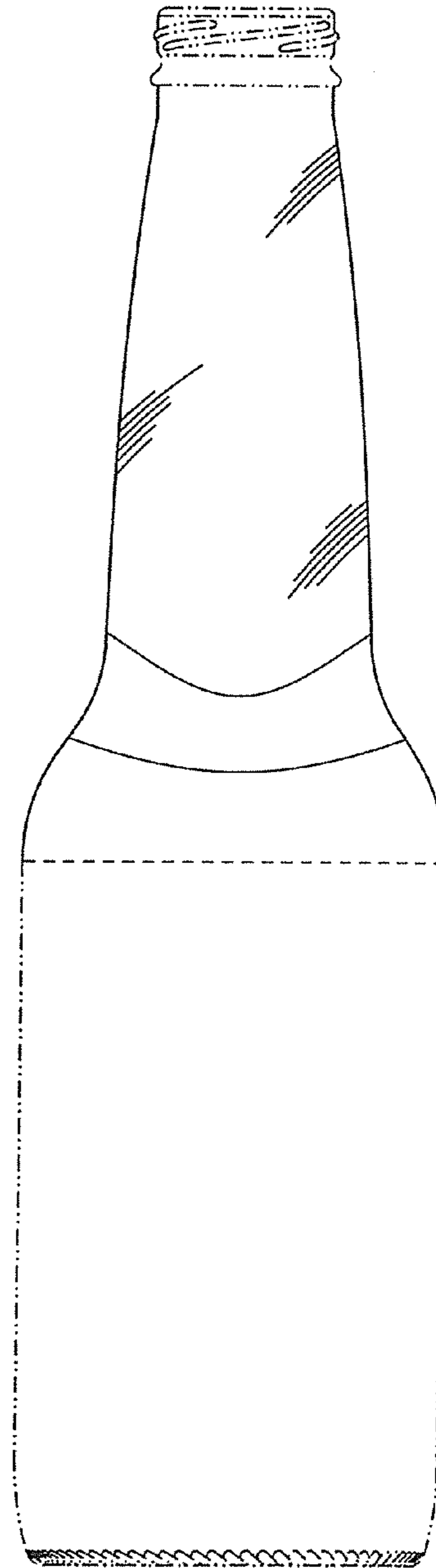


FIG. 4