



US00D652722S

(12) **United States Design Patent**
Robertson et al.

(10) **Patent No.:** **US D652,722 S**
(45) **Date of Patent:** **** Jan. 24, 2012**

(54) **CONTAINER AND CLOSURE**

(76) Inventors: **Harold Robertson**, Clifford (CA);
Eleanor Robertson, Clifford (CA)

(**) Term: **14 Years**

(21) Appl. No.: **29/353,380**

(22) Filed: **Jan. 7, 2010**

(51) **LOC (9) Cl.** **09-01**

(52) **U.S. Cl.** **D9/504**

(58) **Field of Classification Search** D9/500,
D9/502-505, 516, 549, 557-558, 682, 686,
D9/688, 690, 692, 743, 745-746; D7/509-511,
D7/601-602, 605, 608, 629; 215/11.1, 379,
215/381-382; 220/660, 662, 665, 669-673,
220/675, 677, 680

See application file for complete search history.

(56) **References Cited**

U.S. PATENT DOCUMENTS

1,616,262	A	2/1927	Knaust	
2,446,422	A *	8/1948	Jensen	229/5.5
D160,876	S *	11/1950	Mesi	D7/596
2,751,118	A	6/1956	Soule	
3,017,049	A *	1/1962	Powell	215/223
3,244,313	A *	4/1966	De Wayne Miles	220/288
3,273,760	A	9/1966	Frankenberg	
D257,227	S *	10/1980	Youngberg	D9/668
4,544,083	A	10/1985	Schroeder	
D289,143	S *	4/1987	Guillaume	D9/501
D324,976	S *	3/1992	Katz	D7/619.1
5,421,663	A	6/1995	Bravo	
D375,870	S *	11/1996	Stonehouse	D7/523
D377,757	S *	2/1997	Bertolini et al.	D9/746

D388,287	S	12/1997	Malinosky et al.	
D444,702	S *	7/2001	Castleberry, II	D9/746
6,261,611	B1	7/2001	Berman	
D466,814	S *	12/2002	Hurlburt	D9/504
D605,529	S *	12/2009	Holtrop	D9/746

* cited by examiner

Primary Examiner — Ian Simmons

Assistant Examiner — Dana L Sipos

(57) **CLAIM**

The ornamental design for a container and closure, as shown and described.

DESCRIPTION

FIG. 1 is an exploded front elevation view of a container and closure showing my new design;

FIG. 2 is an exploded rear elevation view of the container assembly;

FIG. 3 is an exploded left side elevation view of the container assembly;

FIG. 4 is an exploded right side elevation view of the container assembly;

FIG. 5 is an exploded top plan view of the container assembly;

FIG. 6 is an exploded bottom plan view of a container assembly showing my new design;

FIG. 7 is an exploded top perspective view of the container assembly; and,

FIG. 8 is an exploded bottom perspective view of the container assembly.

1 Claim, 8 Drawing Sheets

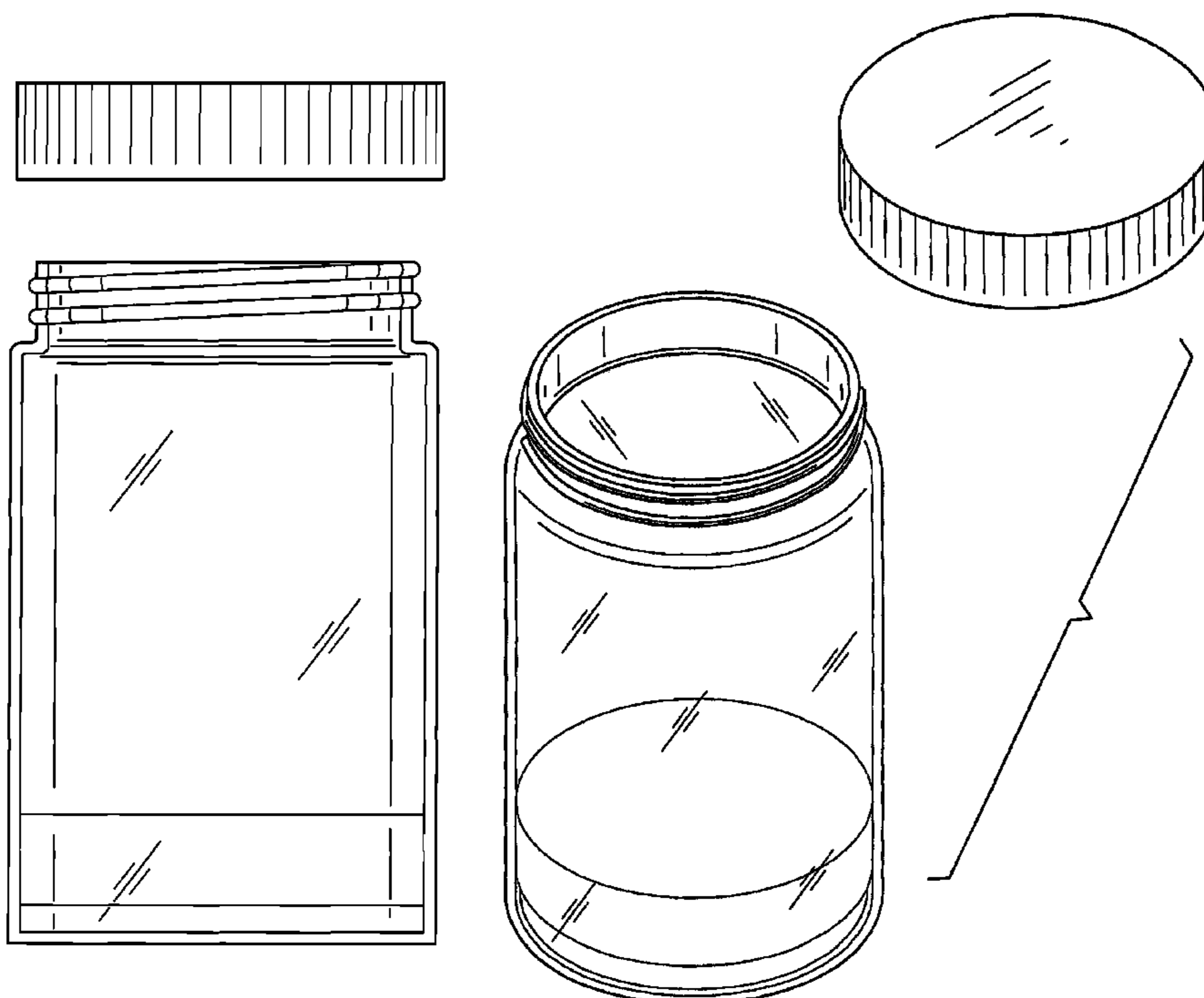


FIG. 1

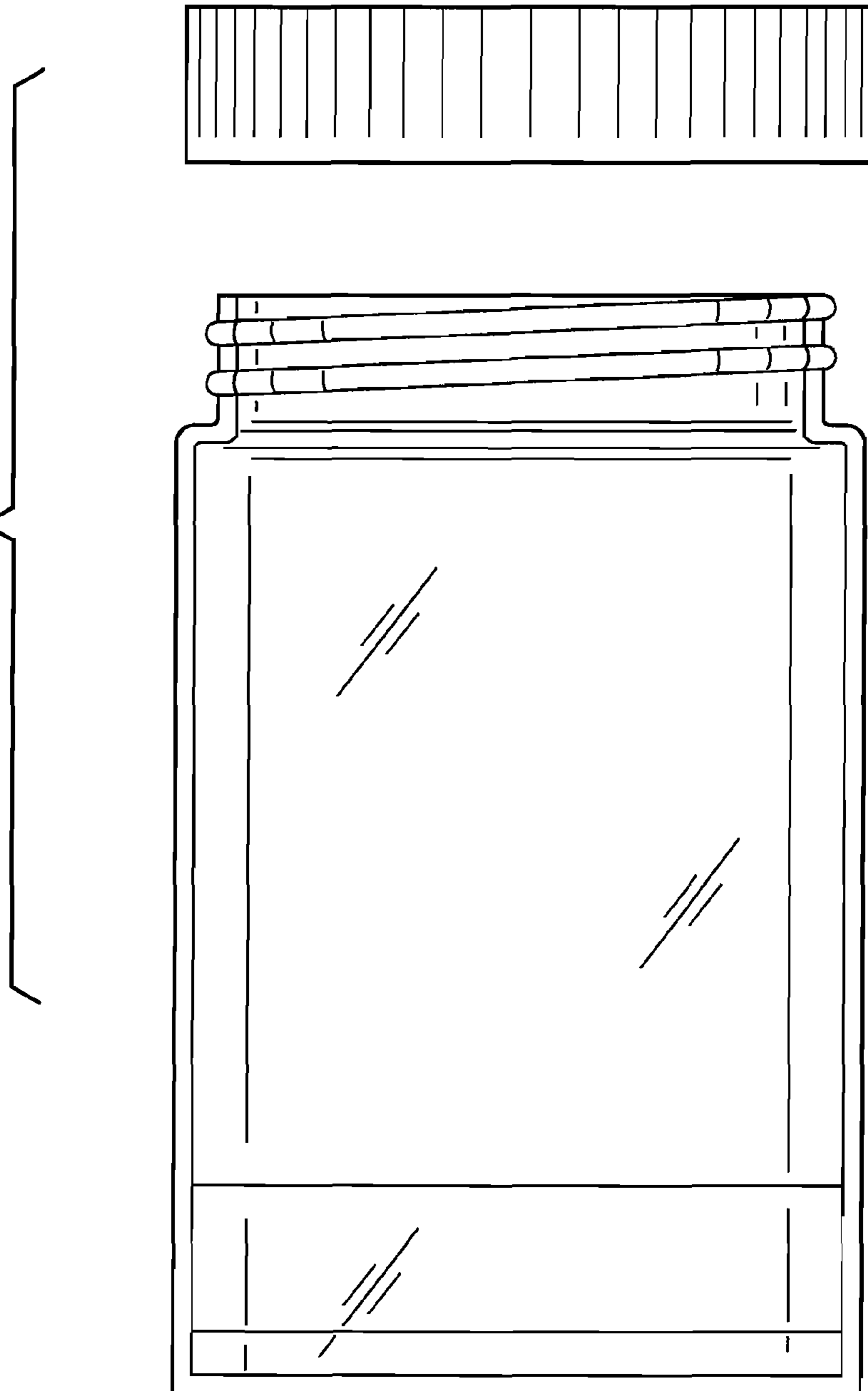
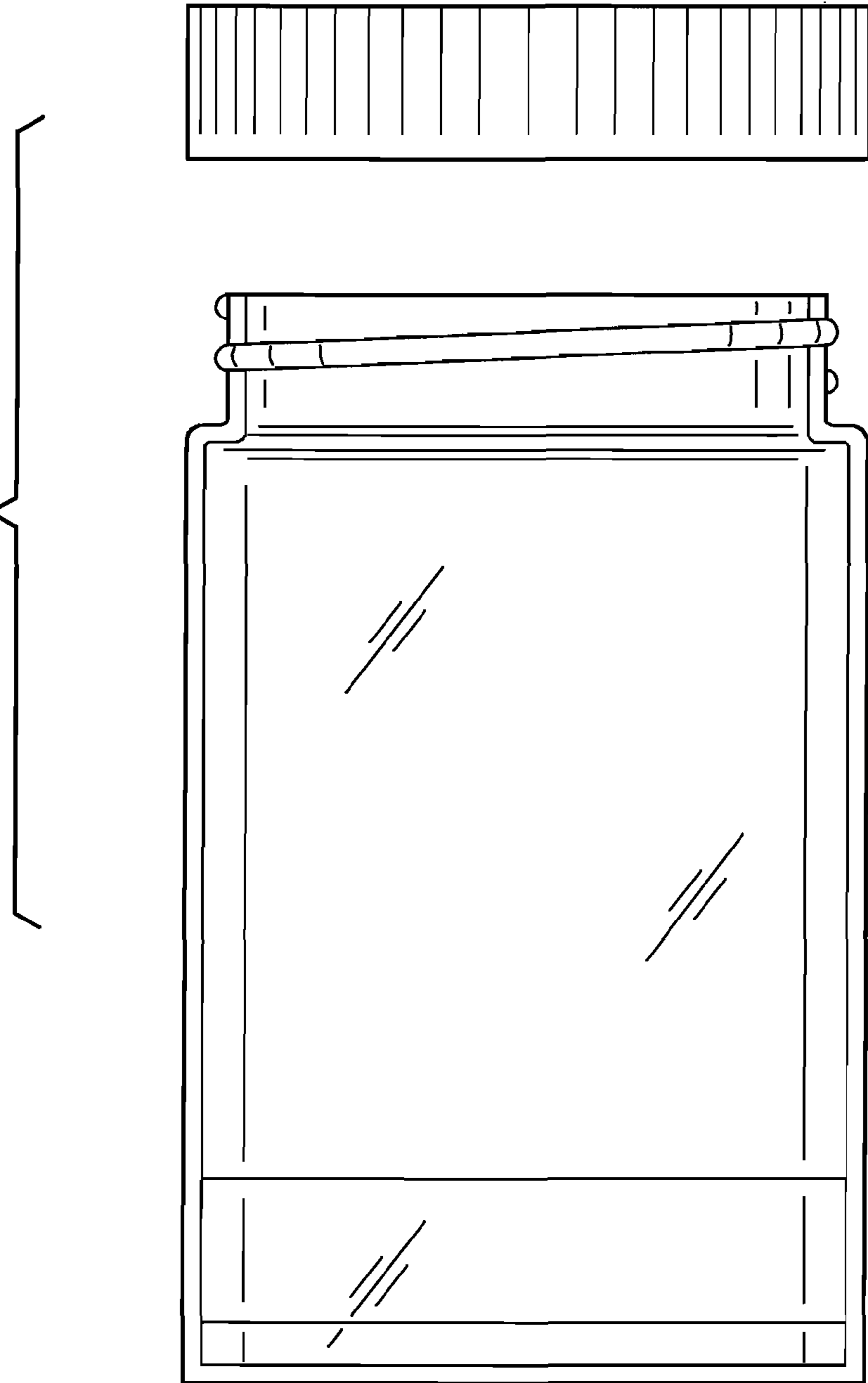


FIG. 2



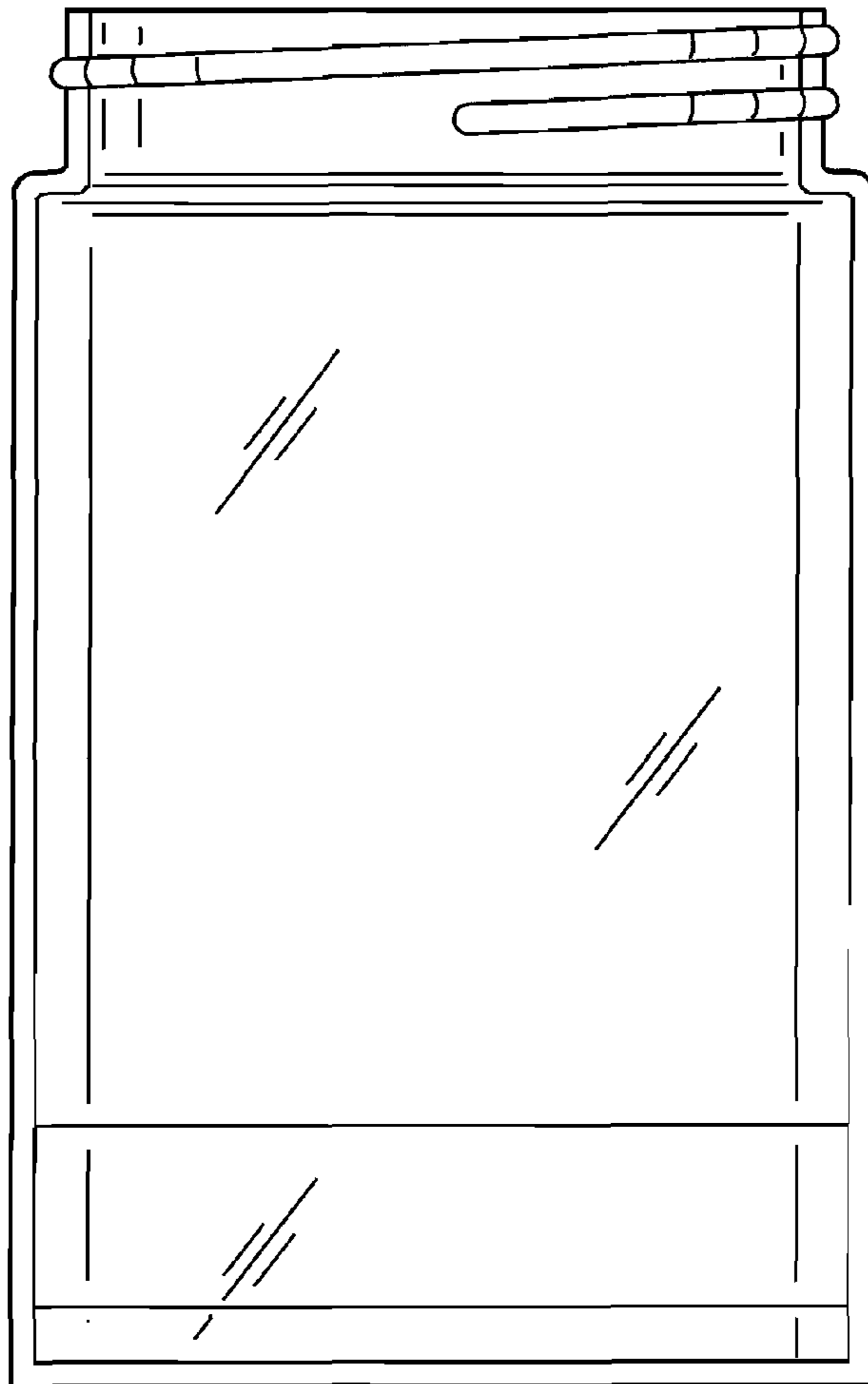
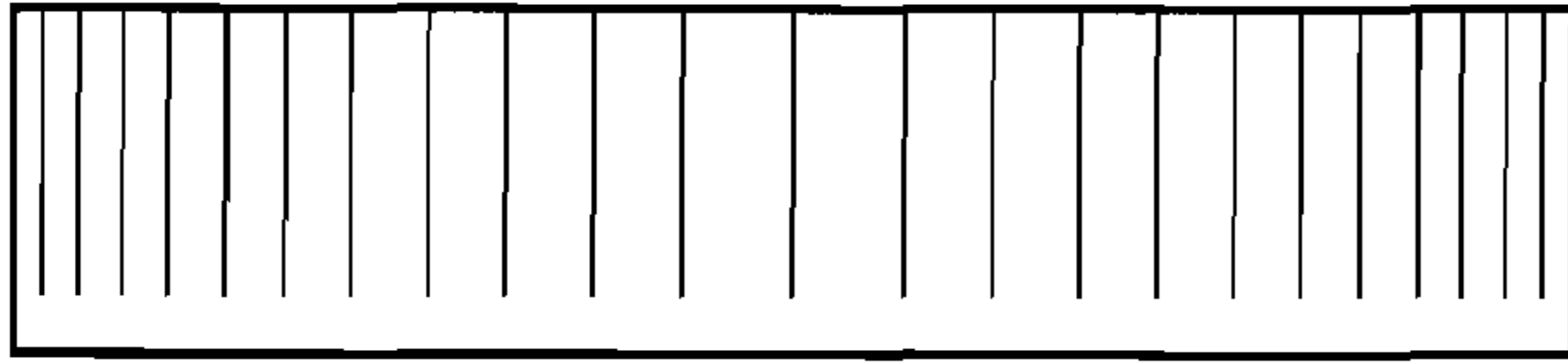


FIG. 3

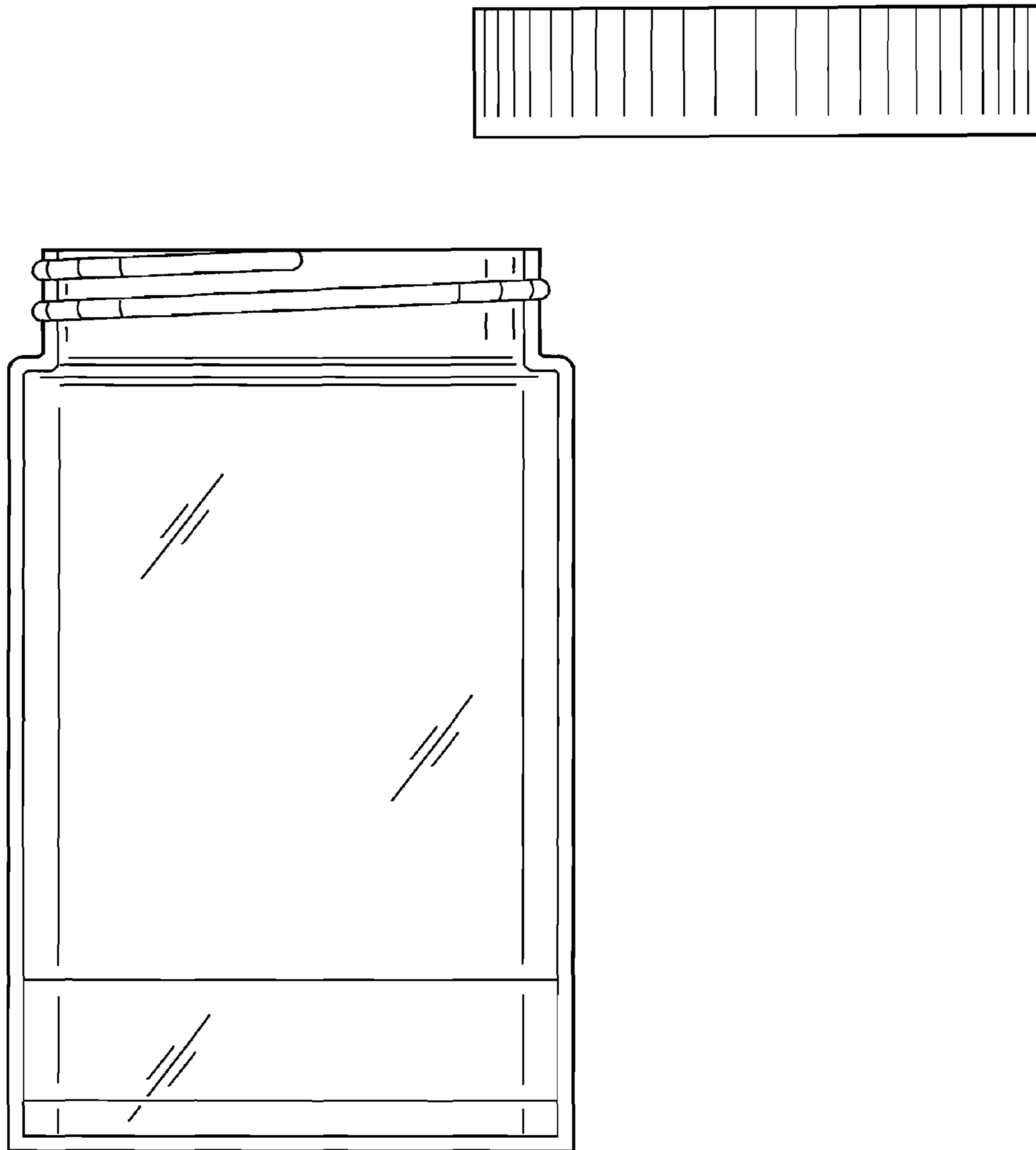


FIG. 4

FIG. 5

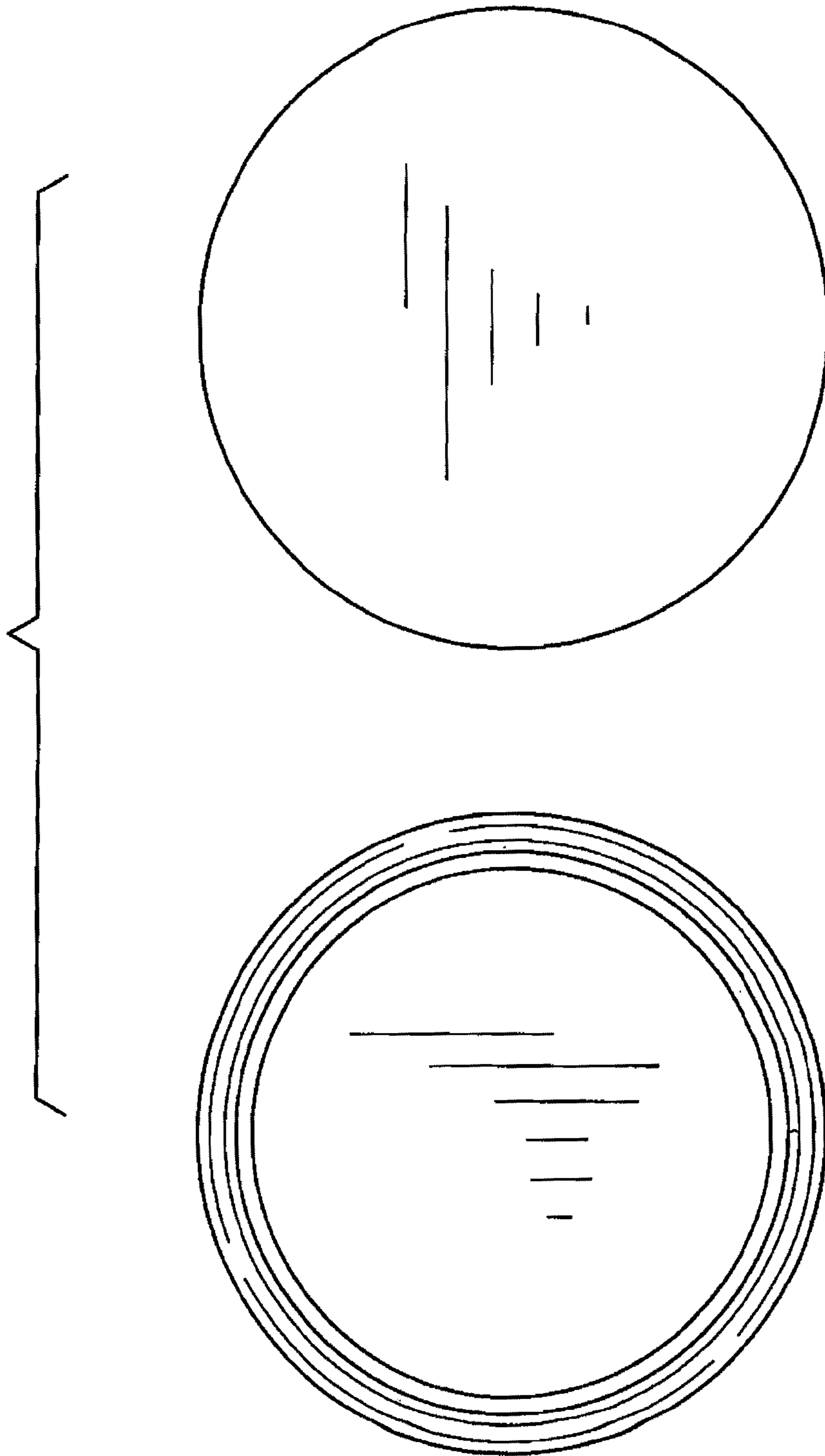
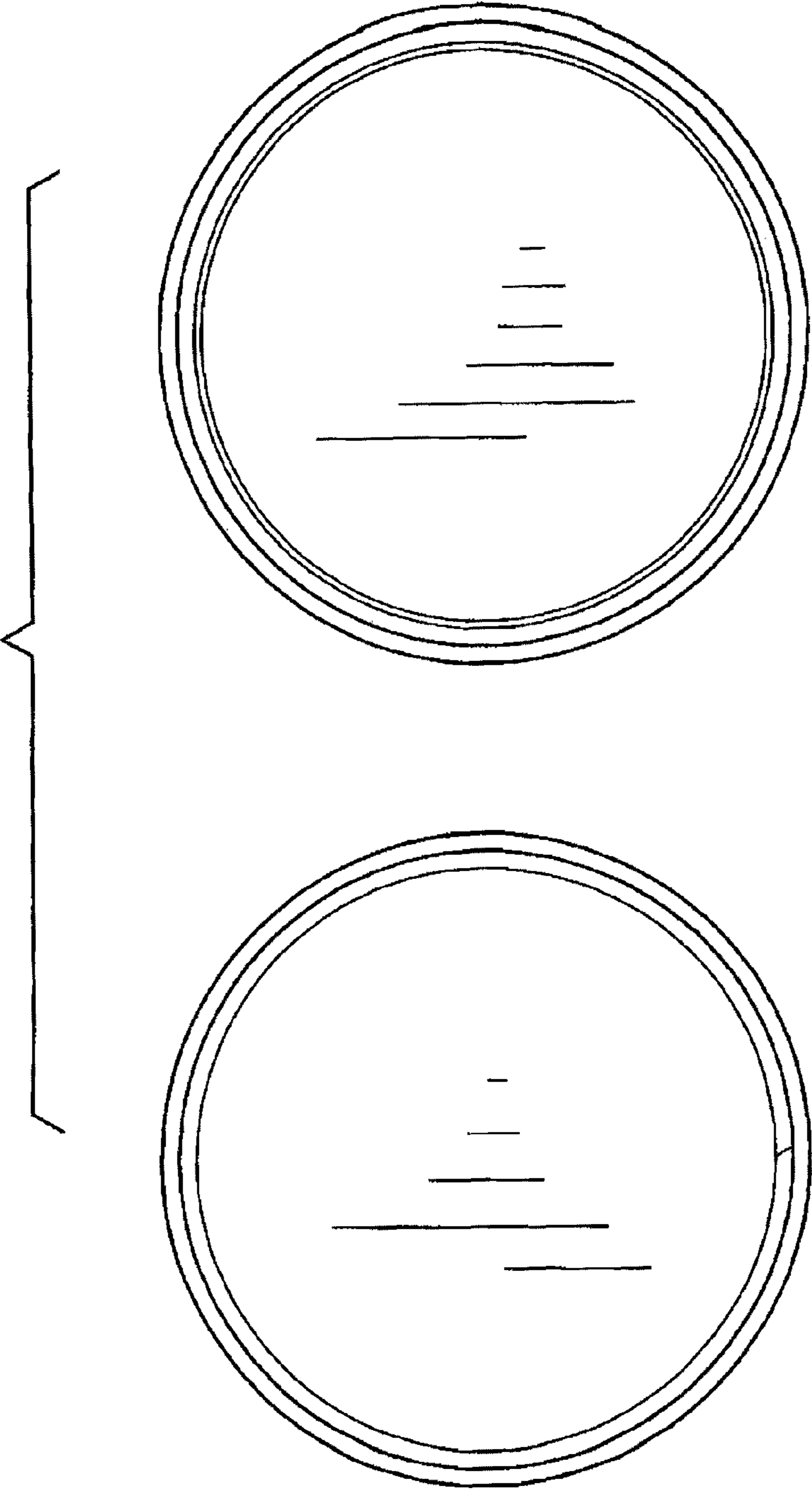
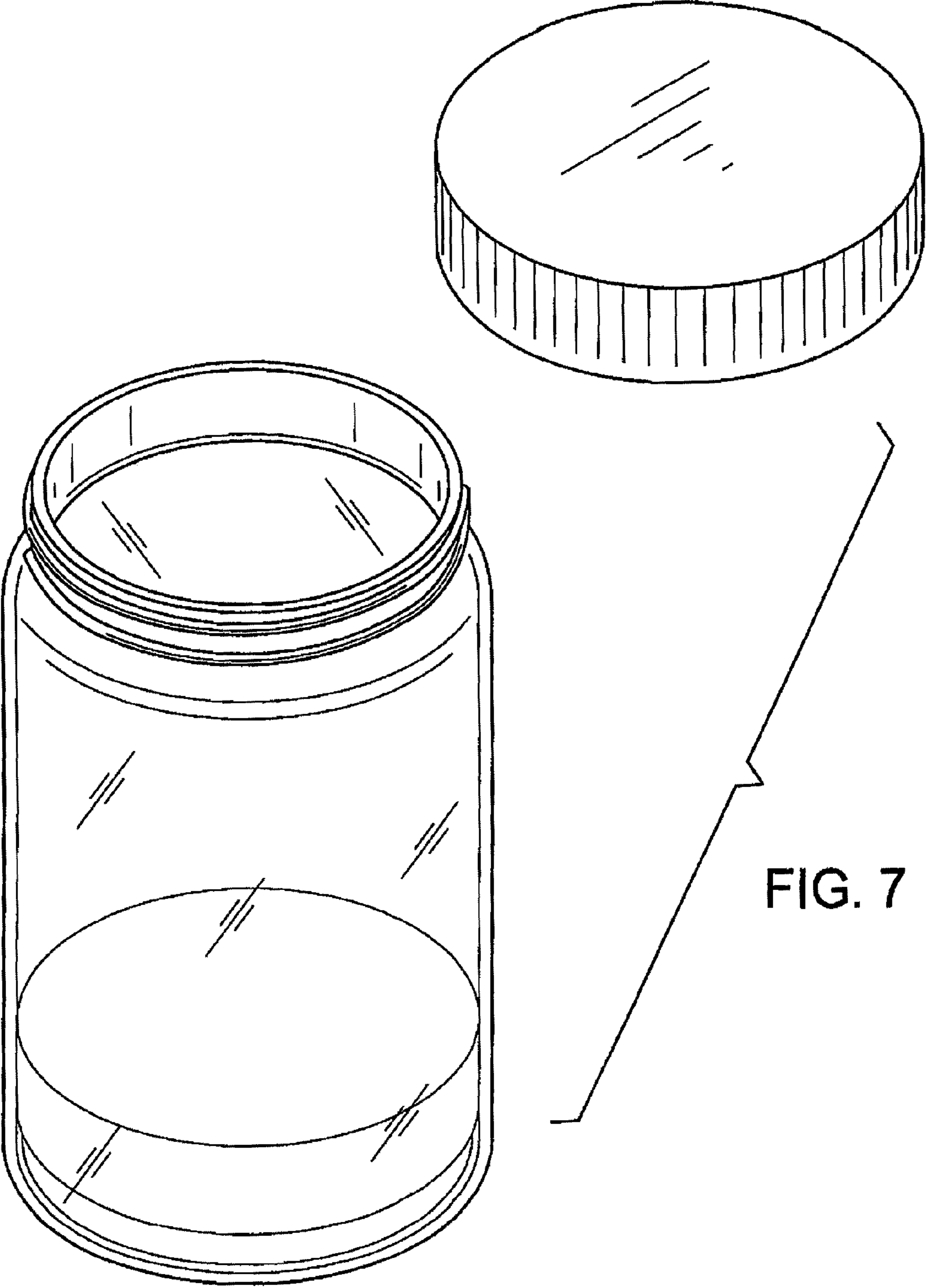


FIG. 6





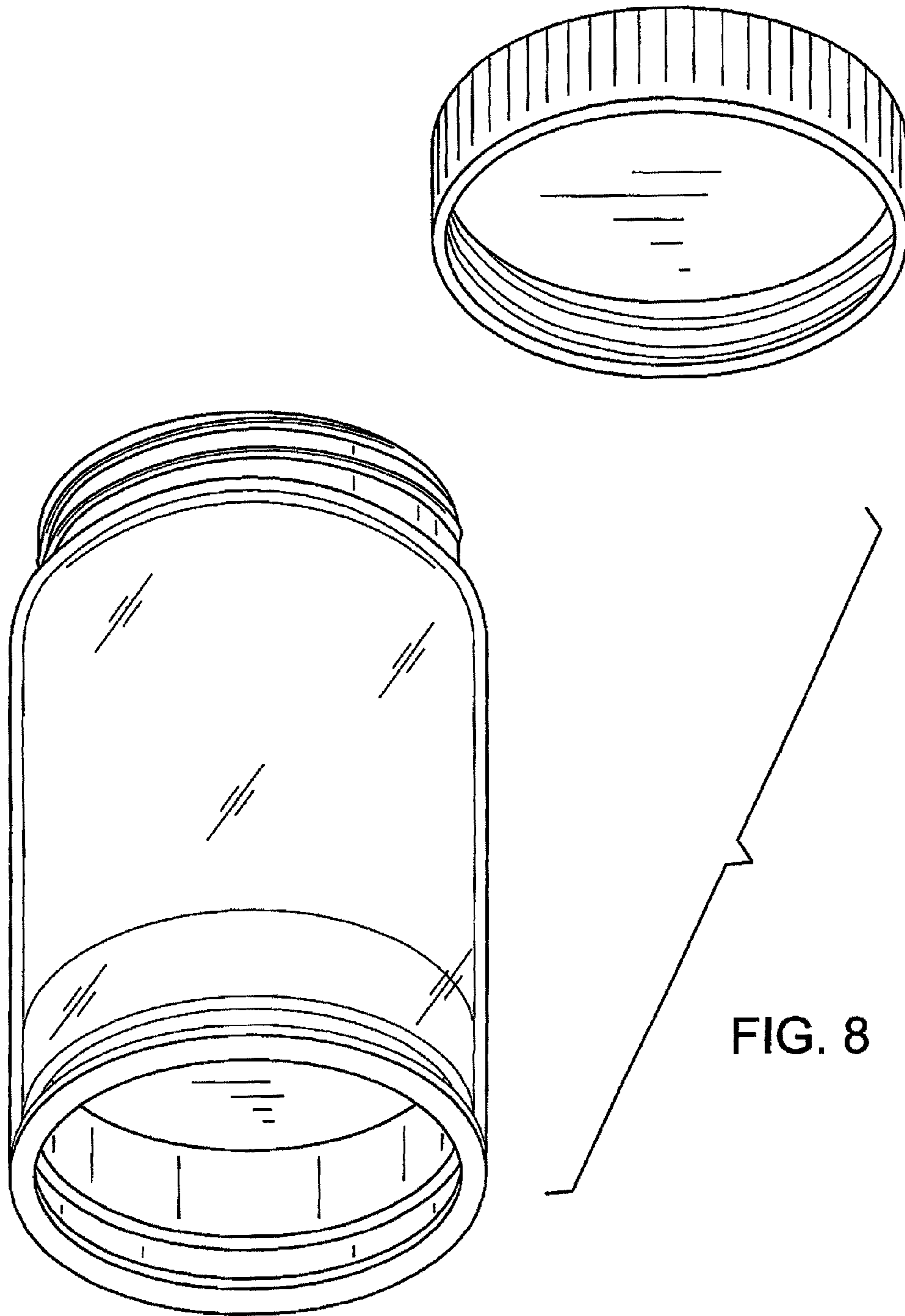


FIG. 8