



US00D652721S

(12) **United States Design Patent**
Pelkey

(10) **Patent No.:** **US D652,721 S**
(45) **Date of Patent:** **** Jan. 24, 2012**

- (54) **BOTTLE**
- (75) Inventor: **Steven Gerald Pelkey**, Coldstream (CA)
- (73) Assignee: **UPI Designs Inc.**, Vancouver, British Columbia (CA)
- (**) Term: **14 Years**
- (21) Appl. No.: **29/396,220**
- (22) Filed: **Jun. 27, 2011**
- (51) **LOC (9) Cl.** **09-01**
- (52) **U.S. Cl.** **D9/500**
- (58) **Field of Classification Search** D9/500,
D9/502-505, 516, 544-546, 549, 575, 682,
D9/686-692, 537-539; 215/379, 381-382;
220/360, 662, 669, 675
See application file for complete search history.

(56) **References Cited**

U.S. PATENT DOCUMENTS

D29,615 S *	11/1898	Dye	D9/500
D33,630 S *	12/1900	Kilmer	D9/500
D479,132 S *	9/2003	Boutilier	D9/550
D491,066 S	6/2004	Le Goff		
D509,433 S	9/2005	Trayser et al.		
D526,197 S *	8/2006	Lauret	D9/505
D529,394 S *	10/2006	Nagata	D9/658
D550,563 S *	9/2007	Lundberg	D9/552
D551,552 S	9/2007	Rica		
D556,577 S	12/2007	Rica		
D561,026 S	2/2008	Rica		
D580,771 S	11/2008	Rica		

D591,597 S	5/2009	Rica		
D595,134 S	6/2009	Rica		
D619,013 S	7/2010	Potts		
D622,603 S	8/2010	Potts		
D629,697 S *	12/2010	Lauret	D9/544
D635,856 S *	4/2011	Lauret	D9/500

OTHER PUBLICATIONS

Kendo Wine and Feng Wine, Saverglass Still Wines Range 2009 Catalogue, Saverglass Inc., 2009, p. 74-75.*

* cited by examiner

Primary Examiner — Ian Simmons

Assistant Examiner — Dana L Sipos

(74) *Attorney, Agent, or Firm* — Graham & Dunn PC; Kathleen T. Petrich

(57) **CLAIM**

I claim the ornamental design for a bottle, as shown and described.

DESCRIPTION

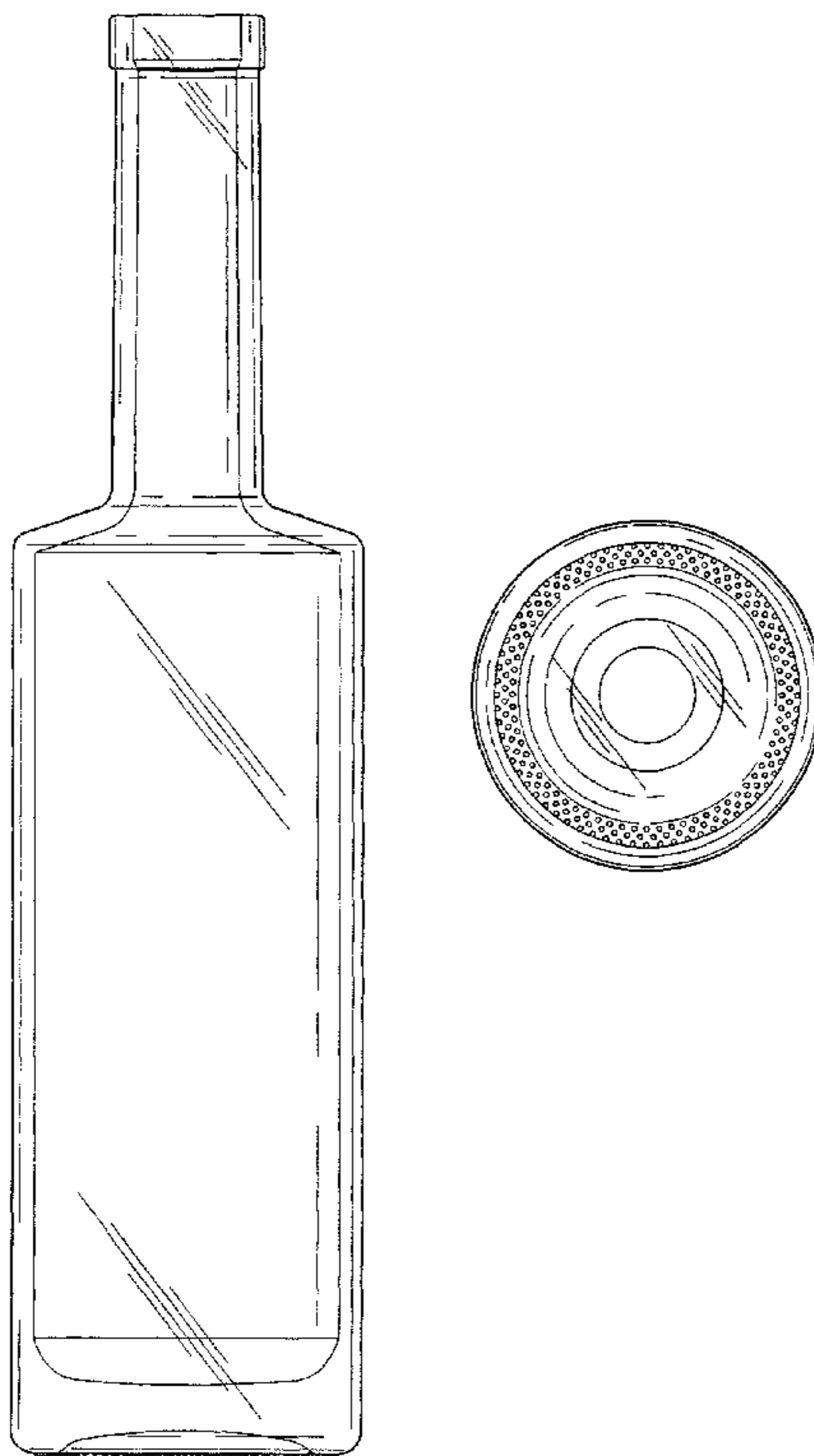
FIG. 1 is a top, front perspective view of a bottle showing my new design, the repeating circular details of the bottom surface not shown through the transparent material for ease of understanding;

FIG. 2 is a right side elevation view thereof, the left side elevation being a mirror image;

FIG. 3 is a top plan view thereof, the bottom surface details not shown through the transparent material for ease of understanding; and,

FIG. 4 is a bottom plan view thereof.

1 Claim, 2 Drawing Sheets



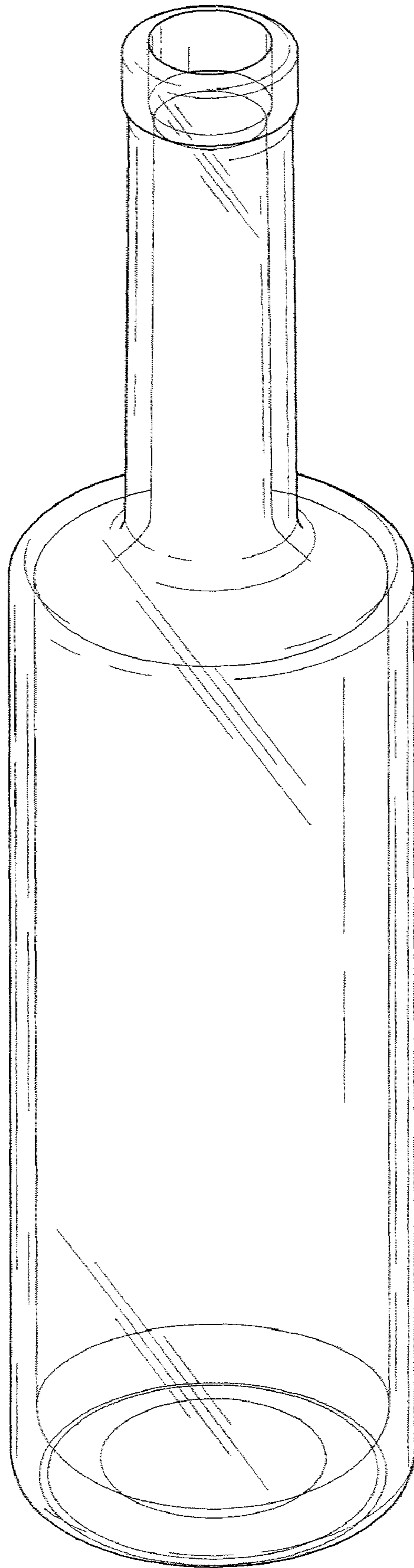


Fig. 1

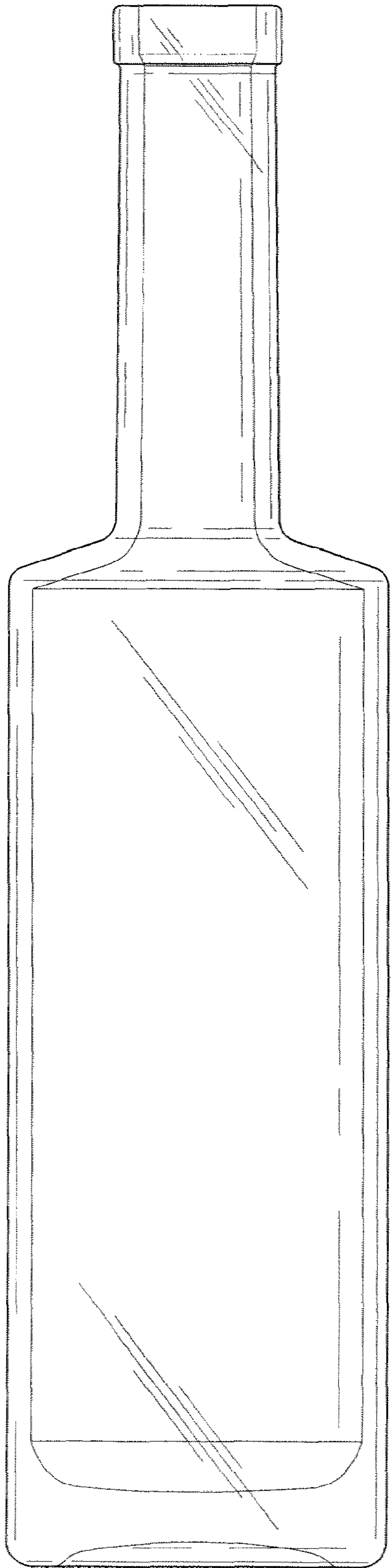


Fig. 2

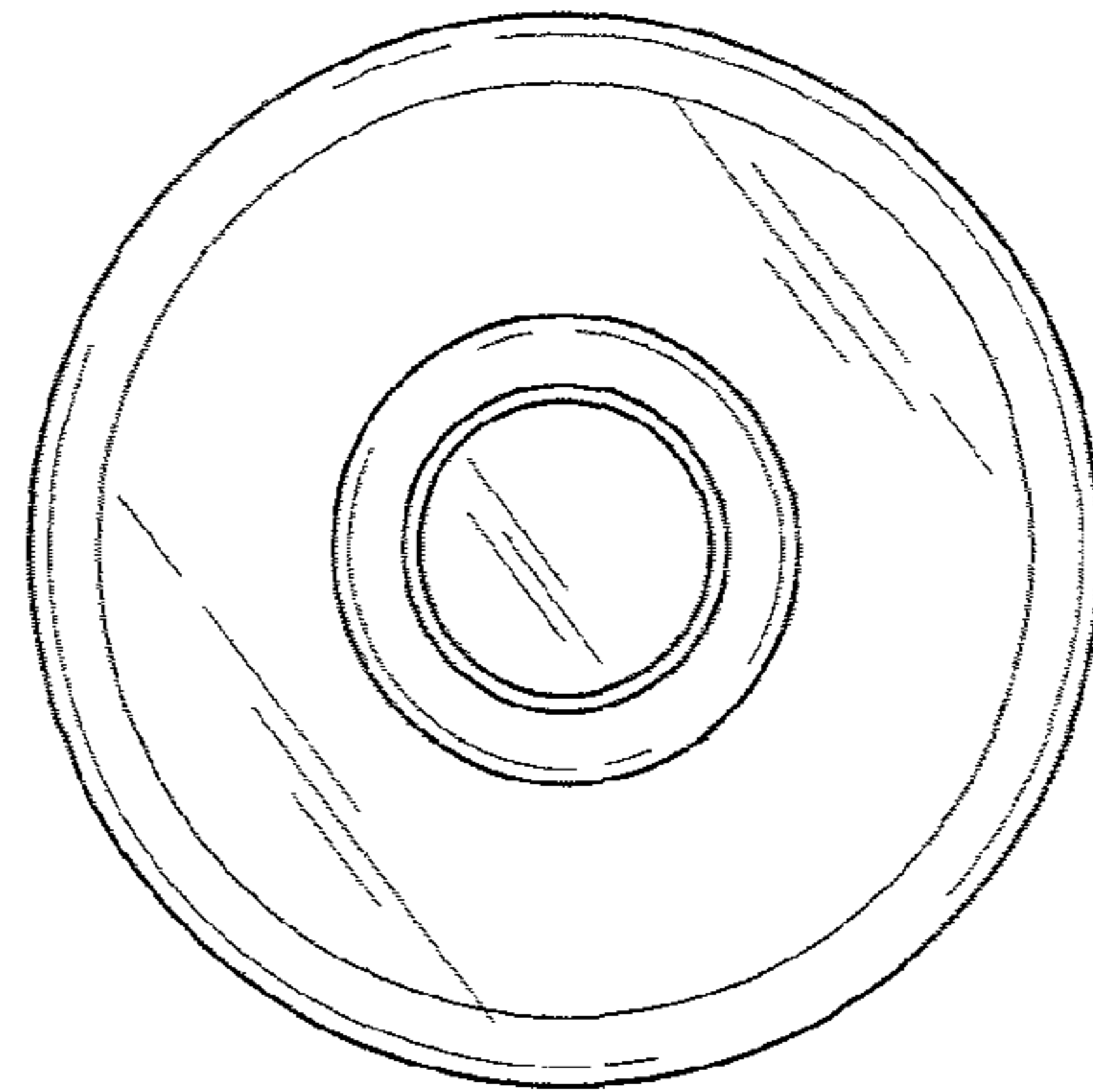


Fig. 3

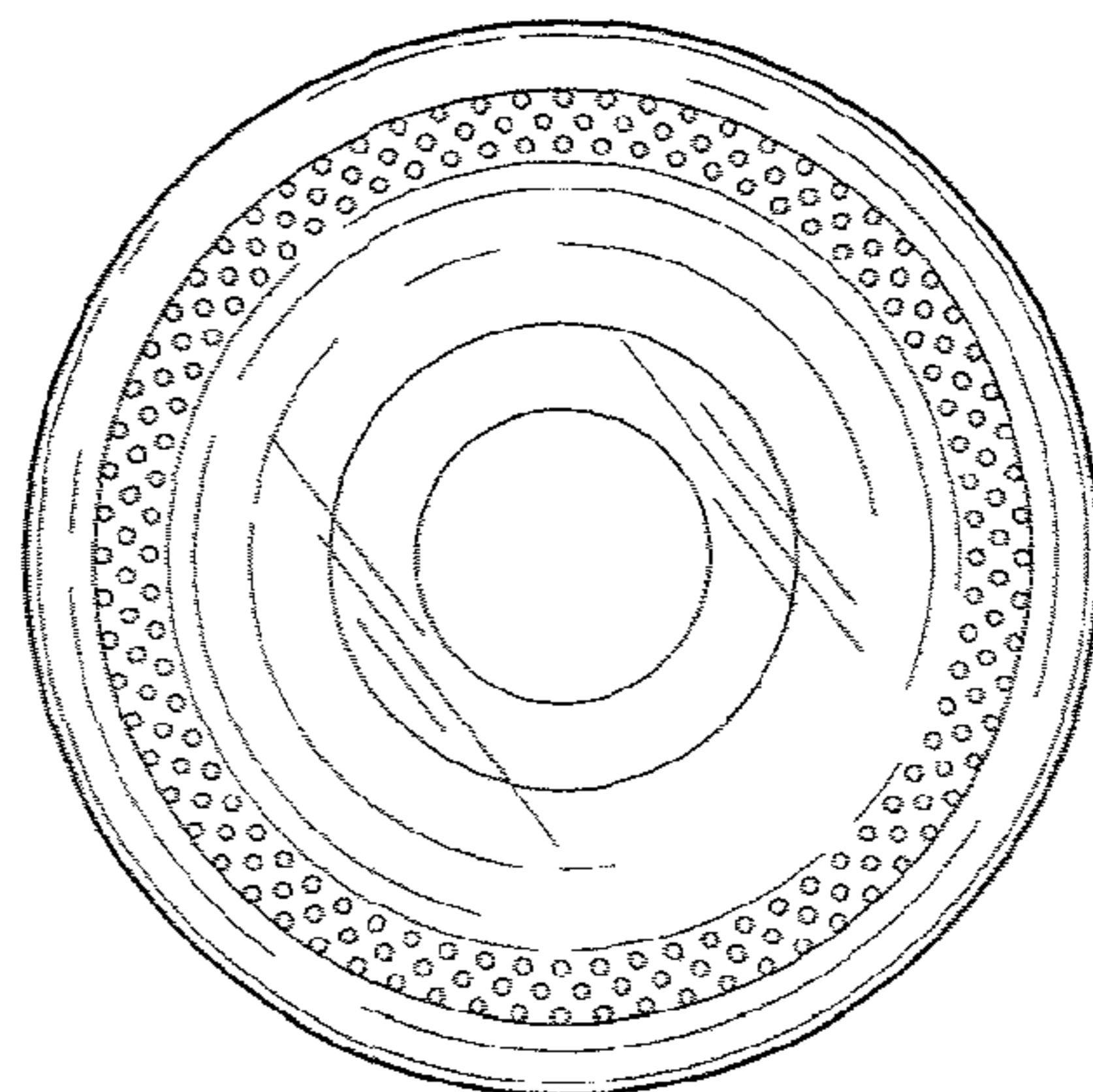


Fig. 4