



US00D652708S

(12) **United States Design Patent**  
**Figureida**

(10) **Patent No.:** **US D652,708 S**

(45) **Date of Patent:** **\*\* Jan. 24, 2012**

- (54) **FAUCET LOCKING ENCLOSURE**
  - (76) Inventor: **Angelo Figureida**, Bakersfield, CA (US)
  - (\*\*) Term: **14 Years**
  - (21) Appl. No.: **29/390,480**
  - (22) Filed: **Apr. 26, 2011**
  - (51) **LOC (9) Cl.** ..... **08-07**
  - (52) **U.S. Cl.** ..... **D8/346; D8/343**
  - (58) **Field of Classification Search** ..... D8/330,  
D8/331, 343, 346, 398, 394, 449; 70/57,  
70/57.1, 51-56, 416, 485, 486, 445, 419,  
70/431, 422, 158, DIG. 26; 220/280, 265,  
220/277
- See application file for complete search history.

- D349,034 S \* 7/1994 Webster ..... D8/333
- D389,442 S \* 1/1998 Kantor ..... D12/162
- 5,927,111 A 7/1999 Nachbauer
- D523,729 S \* 6/2006 Gorst ..... D8/333
- D571,637 S \* 6/2008 Littrell et al. .... D8/339

\* cited by examiner

*Primary Examiner* — Prabhakar Deshmukh

(74) *Attorney, Agent, or Firm* — QuickPatents, Inc.; Kevin Prince

(57) **CLAIM**

What is claimed is the ornamental design for a faucet locking enclosure, as shown and described.

**DESCRIPTION**

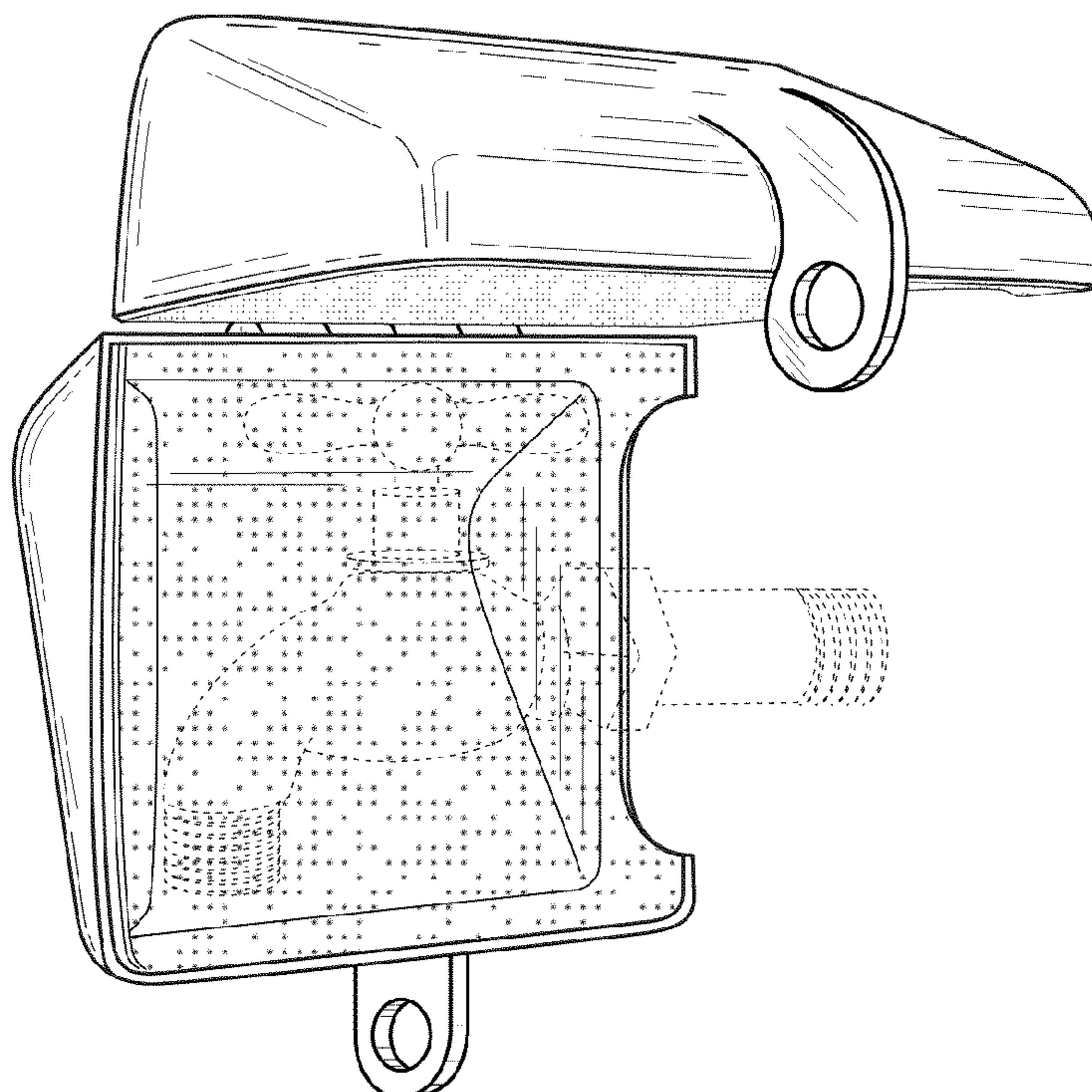
FIG. 1 is a front perspective view of a faucet locking enclosure, showing the new design in an open position; FIG. 2 is a rear perspective view thereof, illustrated in a closed position; FIG. 3 is a rear elevational view of FIG. 2; FIG. 4 is a front elevational view of FIG. 2; FIG. 5 is a right-side elevational view of FIG. 2; FIG. 6 is a left-side elevational view of FIG. 2; FIG. 7 is a top plan view of FIG. 2; and, FIG. 8 is a bottom plan view of FIG. 2. The broken lines showing a faucet in FIG. 1 are included for the purpose of illustrating the invention in use, and form no part of the claimed design.

(56) **References Cited**

U.S. PATENT DOCUMENTS

- 108,499 A 1/1914 Wright
- 3,838,213 A \* 9/1974 Georgopoulos et al. .... 178/46
- 4,071,043 A 1/1978 Carlson
- 4,366,965 A \* 1/1983 Rhodes ..... 280/421
- D284,447 S \* 7/1986 Webster ..... D8/331
- 4,643,505 A \* 2/1987 House et al. .... 439/369
- D301,541 S \* 6/1989 Gifford ..... D8/331
- 4,955,215 A \* 9/1990 Eremita ..... 70/18
- D311,857 S \* 11/1990 Webster ..... D8/333
- 5,191,172 A \* 3/1993 Garganese ..... 174/74 A
- 5,259,690 A \* 11/1993 Legge ..... 403/385

**1 Claim, 4 Drawing Sheets**



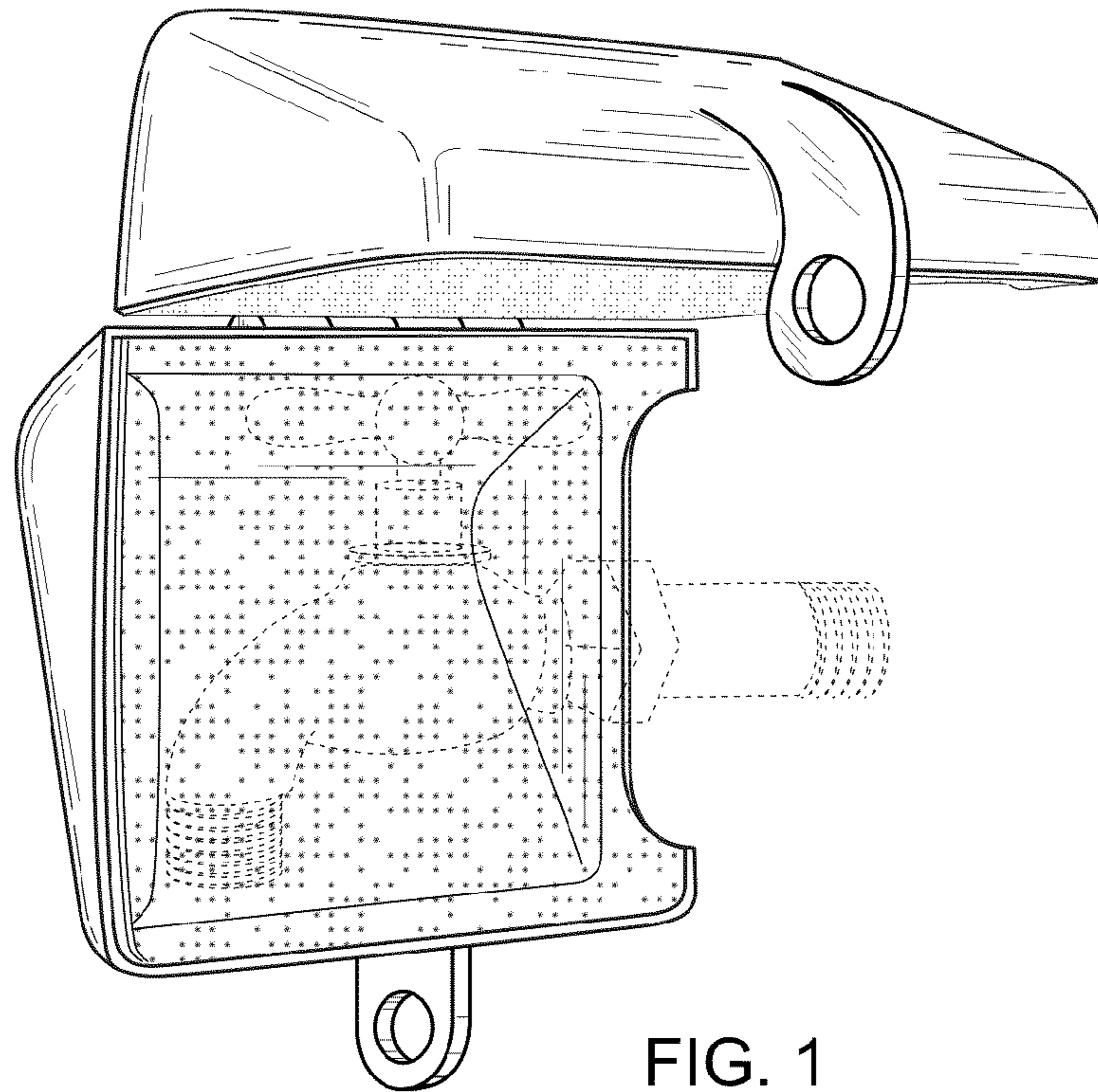


FIG. 1

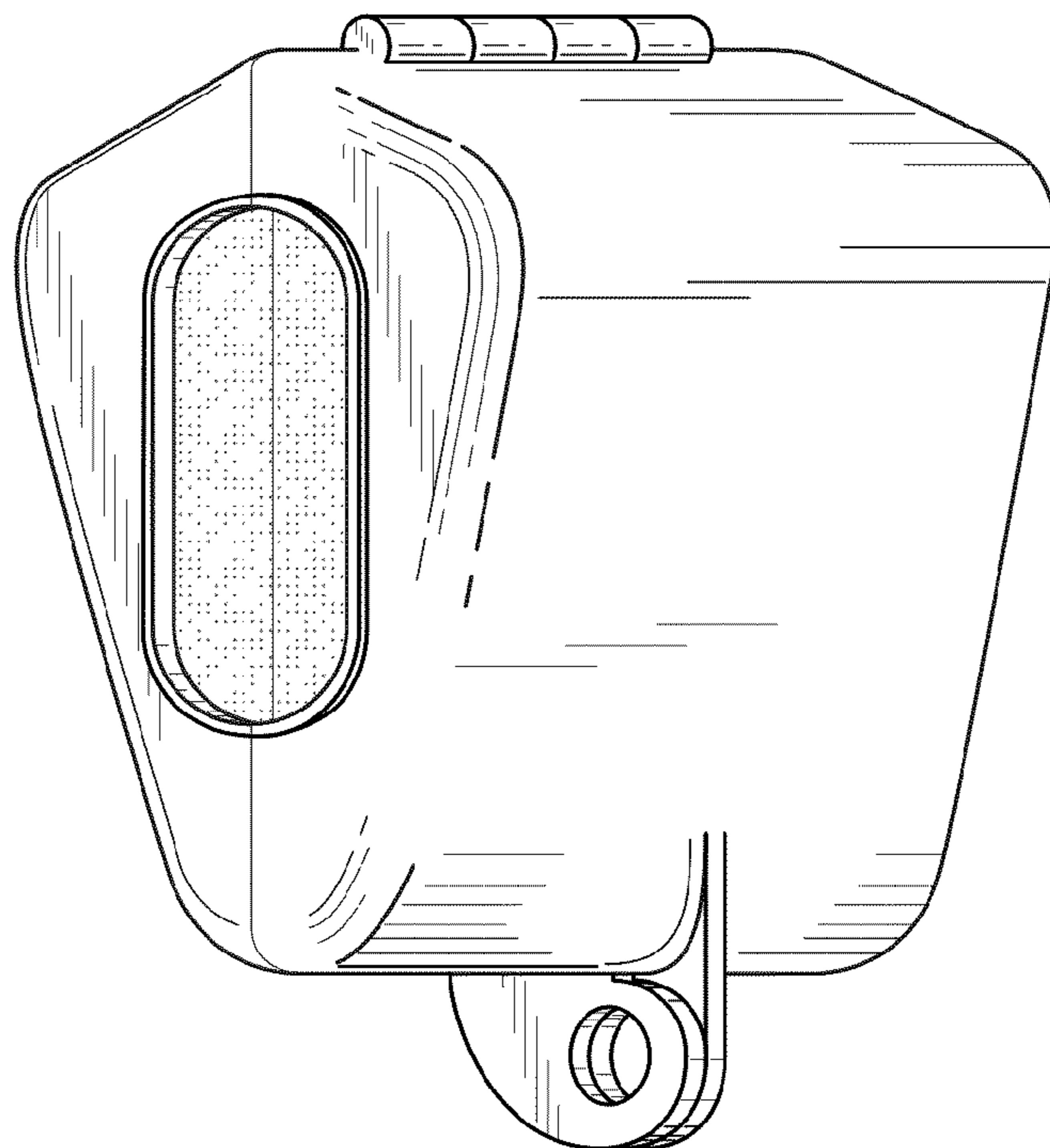


FIG. 2

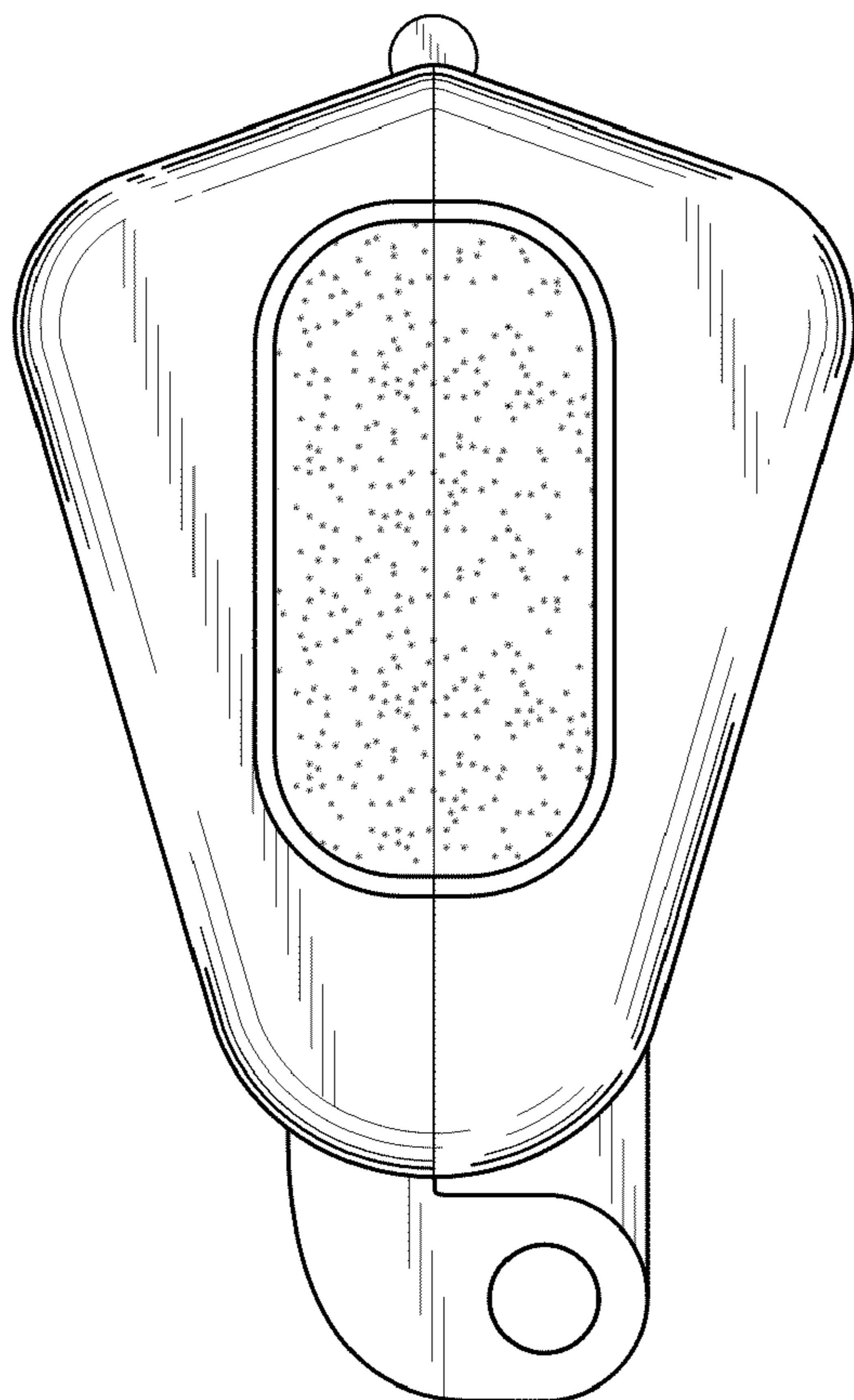


FIG. 3

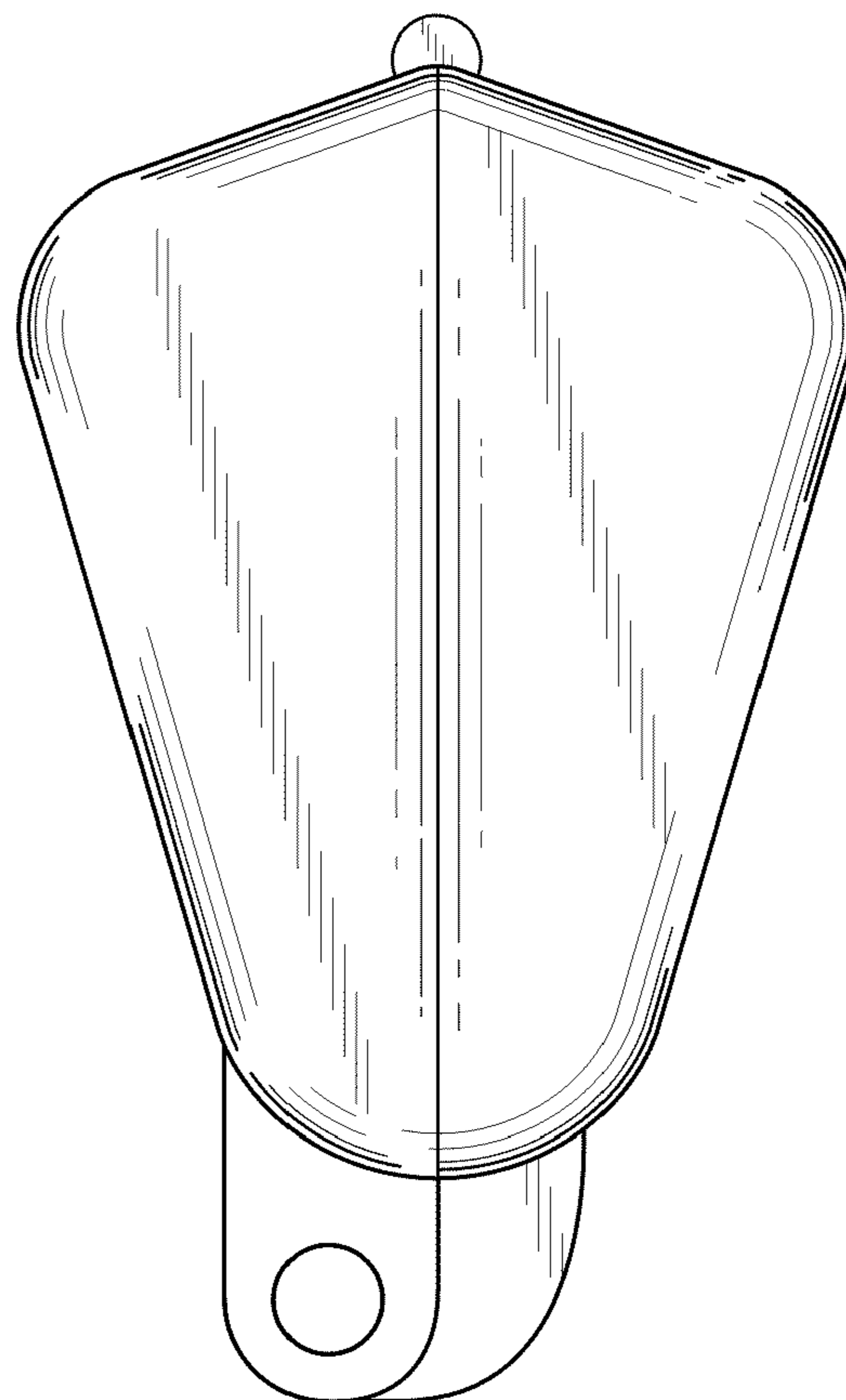


FIG. 4

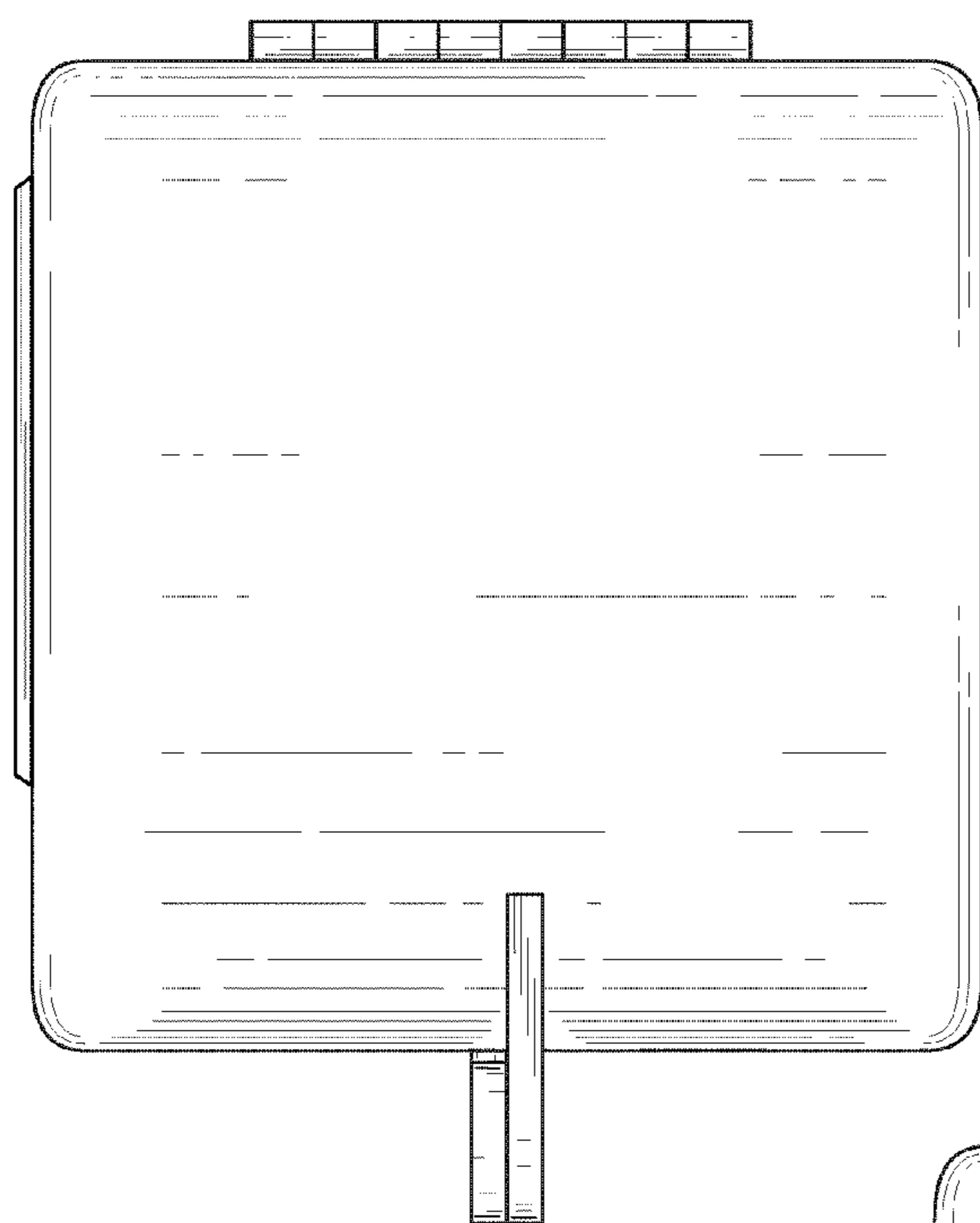


FIG. 5

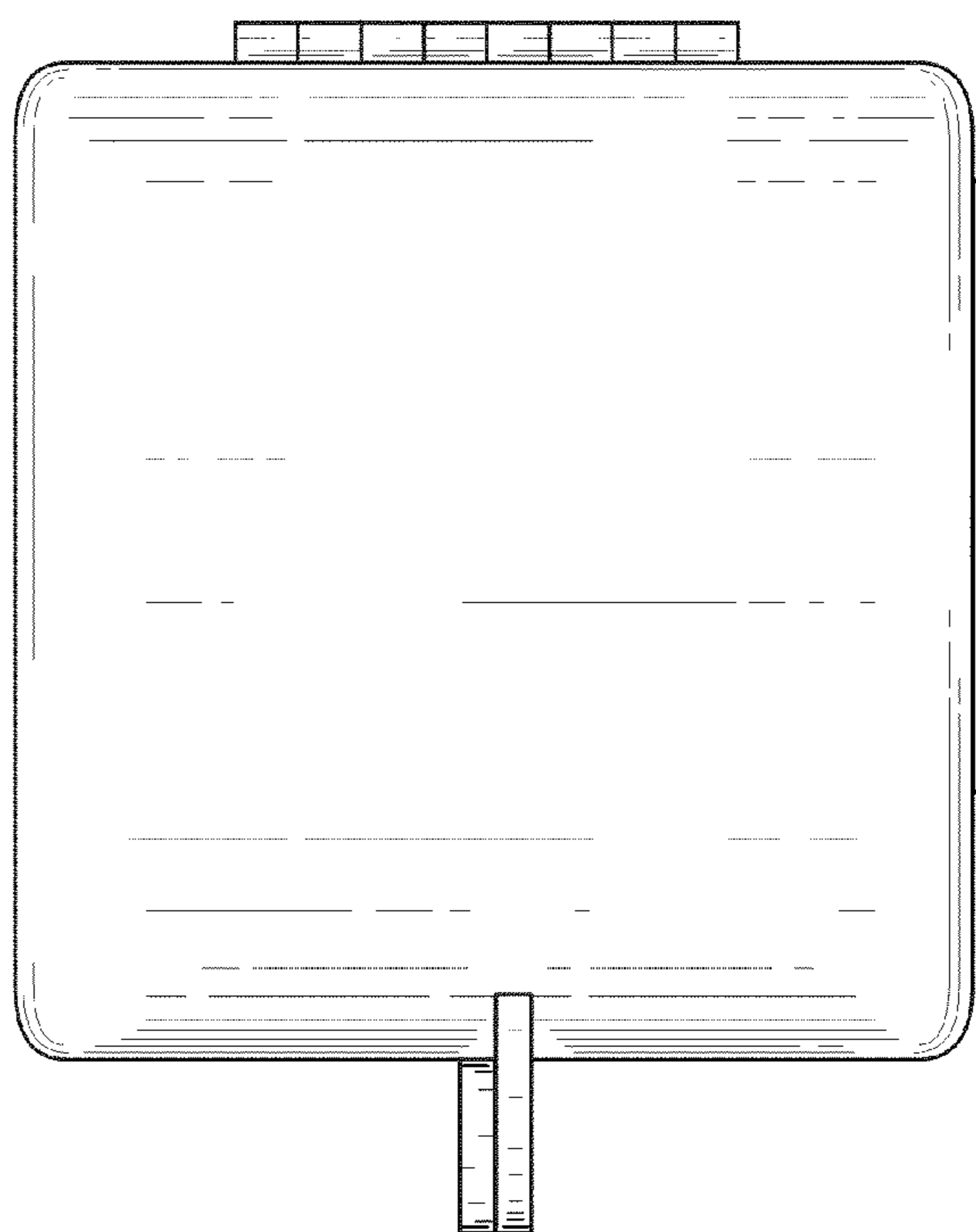


FIG. 6

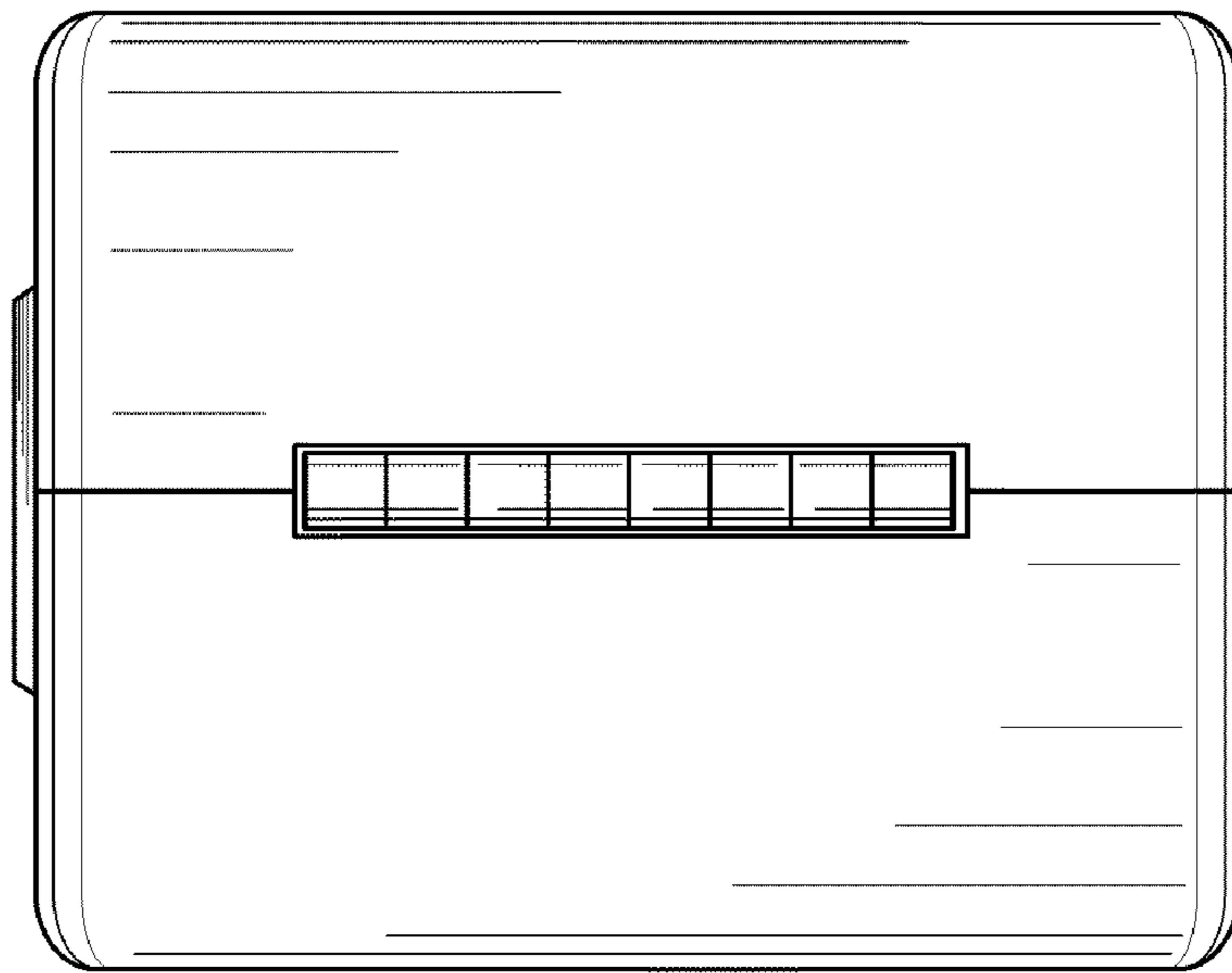


FIG. 7

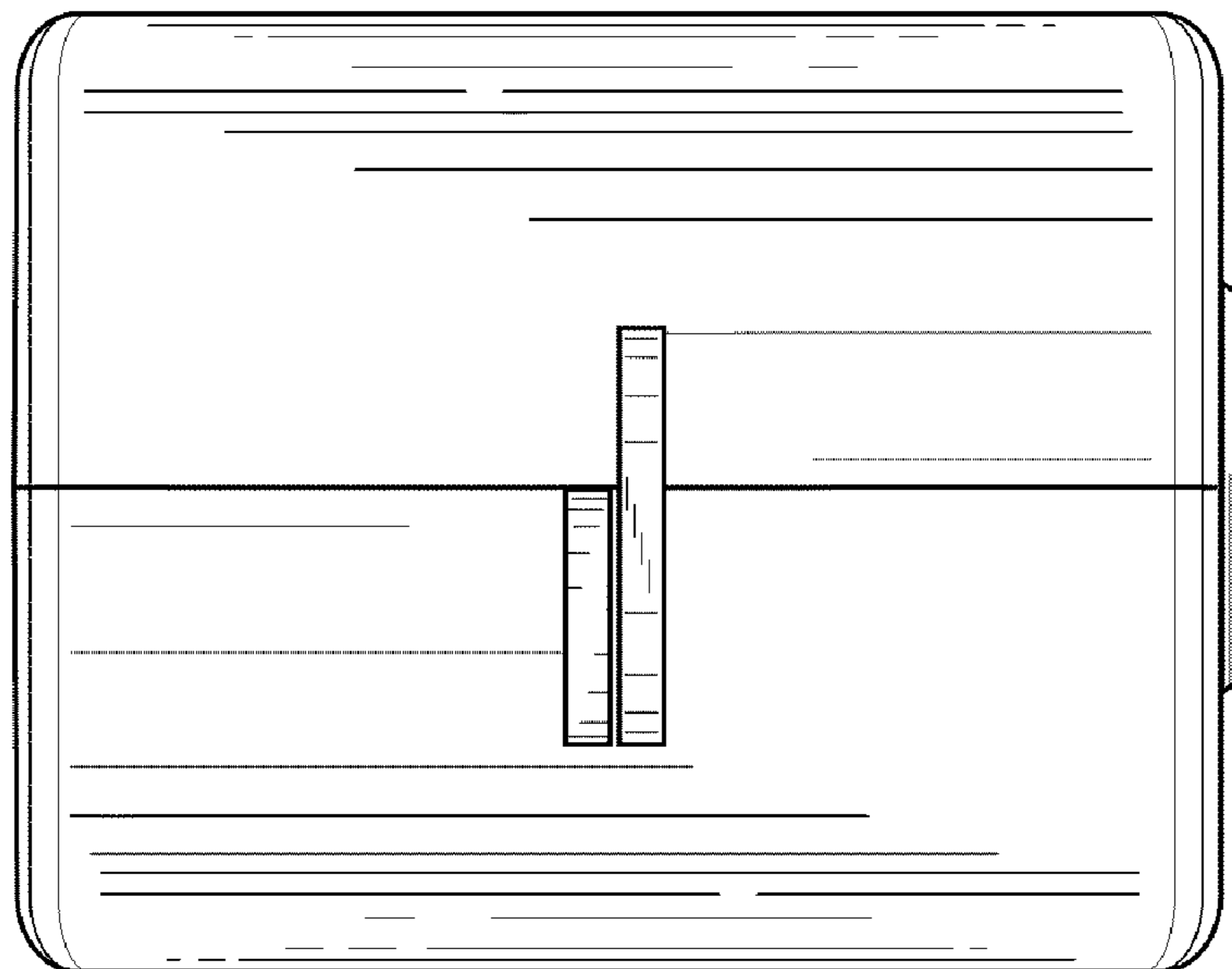


FIG. 8