



US00D652707S

(12) **United States Design Patent**
Plato et al.

(10) **Patent No.:** **US D652,707 S**
(45) **Date of Patent:** **** Jan. 24, 2012**

- (54) **LOCK**
- (75) Inventors: **Lea Marie Plato**, Milwaukee, WI (US);
Dean A. Paulson, Oak Creek, WI (US)
- (73) Assignee: **Master Lock Company LLC**, Oak
Creek, WI (US)
- (**) Term: **14 Years**
- (21) Appl. No.: **29/399,291**
- (22) Filed: **Aug. 11, 2011**

5,522,243 A *	6/1996	Kusmiss	70/330
5,572,890 A	11/1996	Carpenter	
D396,798 S *	8/1998	Adelmeyer et al.	D8/343
D397,026 S	8/1998	Drake	
D416,467 S	11/1999	Castellanos et al.	
D426,763 S	6/2000	Adler et al.	
D427,884 S	7/2000	Castellanos et al.	
D433,314 S *	11/2000	Mimlitch et al.	D8/346
D435,428 S	12/2000	Ling	
D455,639 S	4/2002	McDaid et al.	
6,401,501 B1	6/2002	Kajuch et al.	
D476,216 S	6/2003	Vito	
D488,050 S *	4/2004	Fonfeder	D8/335
6,718,803 B2	4/2004	Knoll	

(Continued)

Related U.S. Application Data

- (63) Continuation of application No. 29/375,960, filed on
Sep. 30, 2010, now Pat. No. Des. 646,952.
- (51) **LOC (9) Cl.** **08-07**
- (52) **U.S. Cl.** **D8/343; D8/346**
- (58) **Field of Classification Search** D8/330-347;
70/14, 20-28, 31, 32, 39, 41, 52-56, 86,
70/314, 423, DIG. 43, DIG. 56, 38 A, DIG. 3,
70/DIG. 4
See application file for complete search history.

Primary Examiner — Prabhakar Deshmukh

(74) *Attorney, Agent, or Firm* — Calfee, Halter & Griswold
LLP

(57) **CLAIM**

We claim the ornamental design for a lock, as shown and
described.

DESCRIPTION

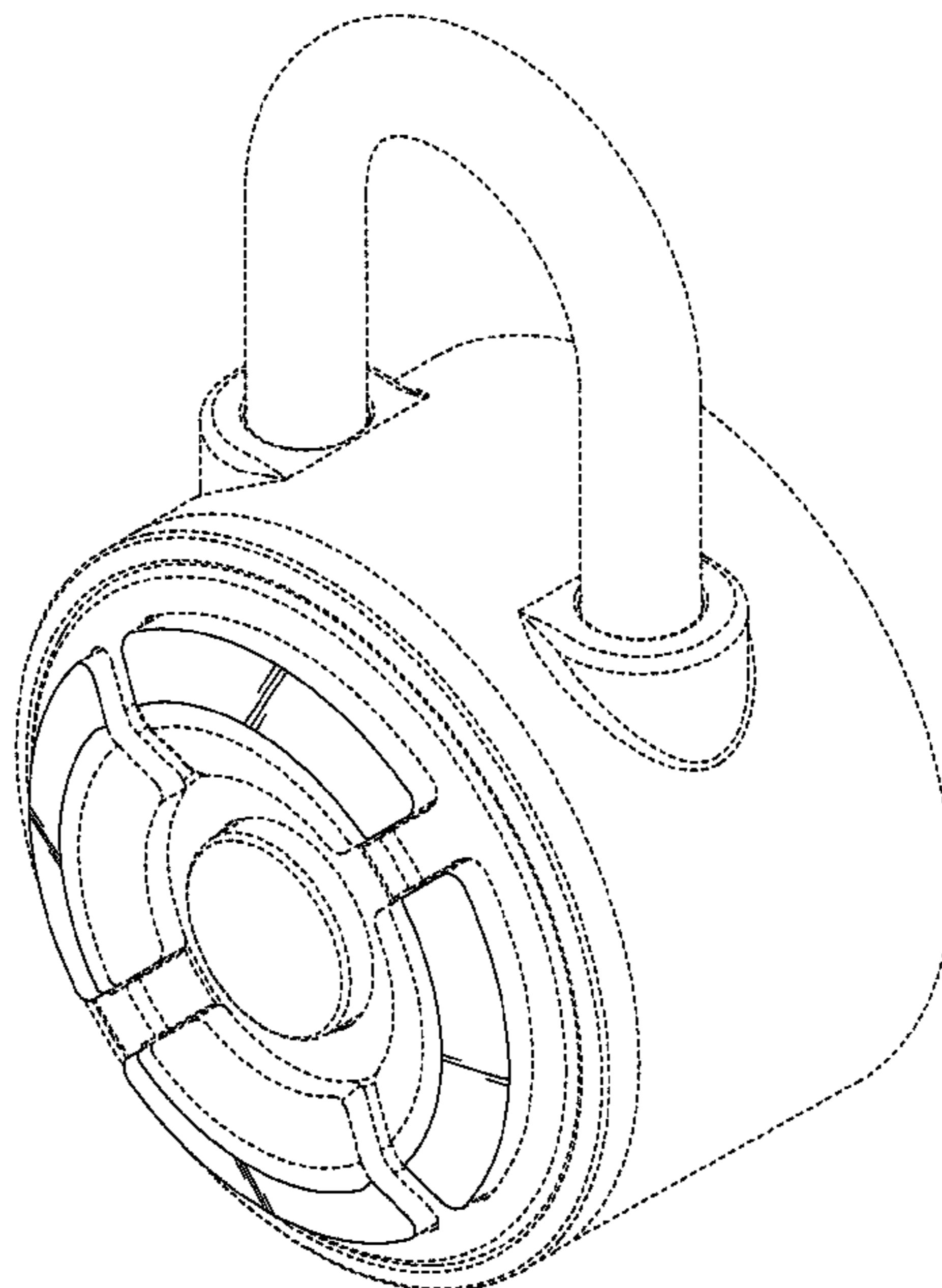
FIG. 1 is a front perspective view of a lock showing the new
design;
FIG. 2 is a top view of the lock of FIG. 1;
FIG. 3 is a front view of the lock of FIG. 1;
FIG. 4 is a bottom view of the lock of FIG. 1;
FIG. 5 is a rear view of the lock of FIG. 1;
FIG. 6 is a left side view of the lock of FIG. 1; and,
FIG. 7 is a right side view of the lock of FIG. 1.
The portions of the Figures shown in phantom lines either
identify boundaries of the claimed design, or are for illustra-
tive purpose only. In either case, the phantom lines form no
part of the claimed design.

(56) **References Cited**

U.S. PATENT DOCUMENTS

548,757 A	10/1895	Kellogg
1,239,010 A	9/1917	Hodges
1,415,327 A	5/1922	Fonos
1,866,273 A	7/1932	Sinner
1,902,214 A	3/1933	Buettner et al.
2,132,201 A	10/1938	Allman
3,952,559 A	4/1976	Atkinson
4,224,813 A	9/1980	Hampton
D276,408 S	11/1984	Zabel et al.
4,754,626 A	7/1988	Siegel
5,345,794 A	9/1994	Jenks

1 Claim, 4 Drawing Sheets



US D652,707 S

Page 2

U.S. PATENT DOCUMENTS

D512,901 S	12/2005	Haber	
6,993,943 B1	2/2006	Chang	
7,047,772 B2	5/2006	Yu	
D528,401 S	9/2006	Ruan	
D533,764 S	12/2006	Heppner	
D537,703 S	3/2007	Kearns et al.	
D538,279 S *	3/2007	Mahan et al. D14/329
D541,228 S	4/2007	Thursfield	
D541,630 S	5/2007	Blomstrom et al.	
D545,177 S	6/2007	Vito	
D549,552 S	8/2007	Huang	
D567,628 S	4/2008	Rohde et al.	
D569,226 S	5/2008	Brewster et al.	
D582,251 S	12/2008	Mackey et al.	
D582,253 S *	12/2008	Sloan	D8/343
D594,311 S	6/2009	Stevens	
D594,731 S	6/2009	Plato	
D605,494 S	12/2009	Plato	
D629,280 S	12/2010	Plato	
D637,062 S	5/2011	Plato	
D646,952 S *	10/2011	Plato et al.	D8/334

* cited by examiner

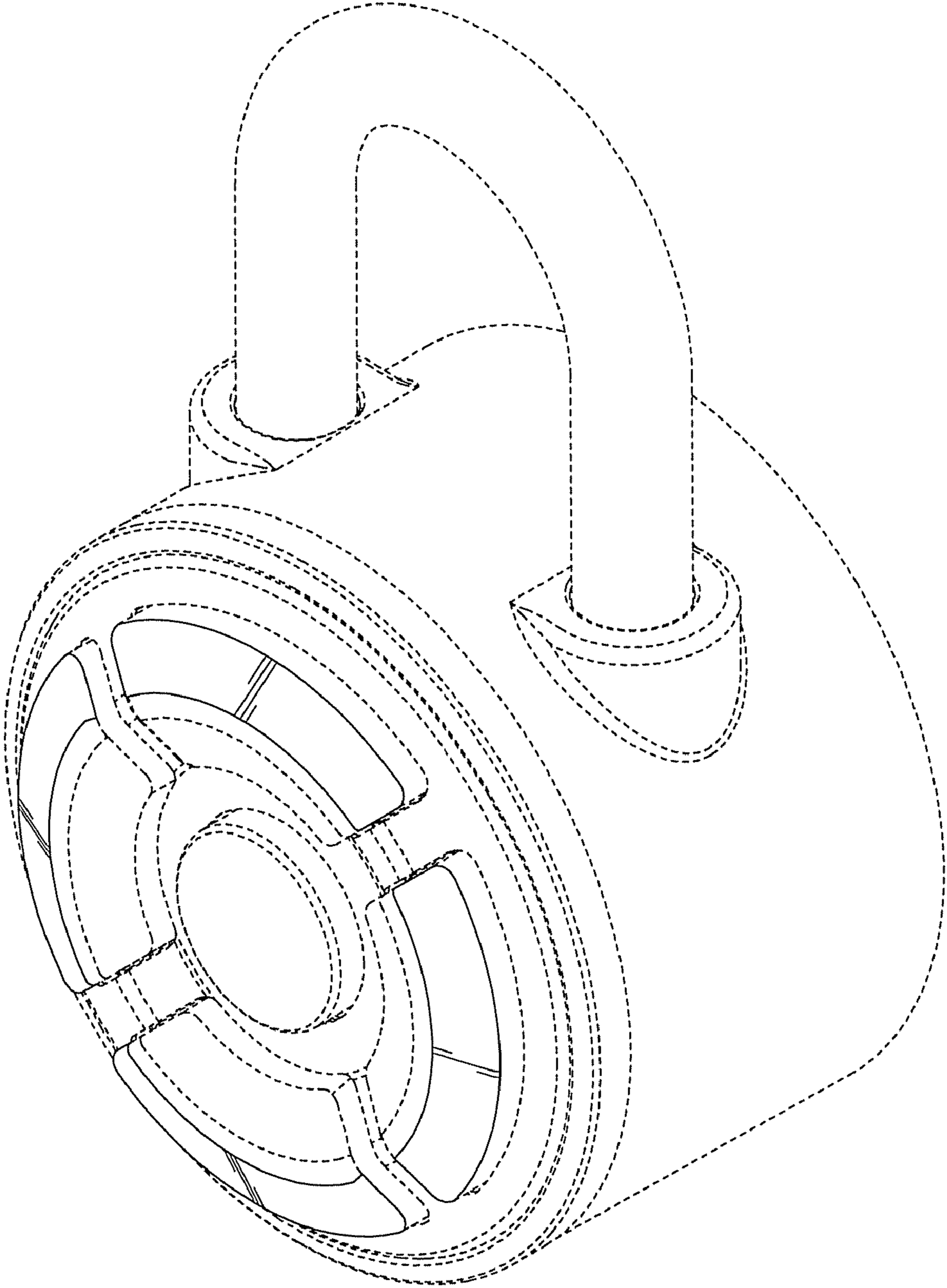


FIG. 1

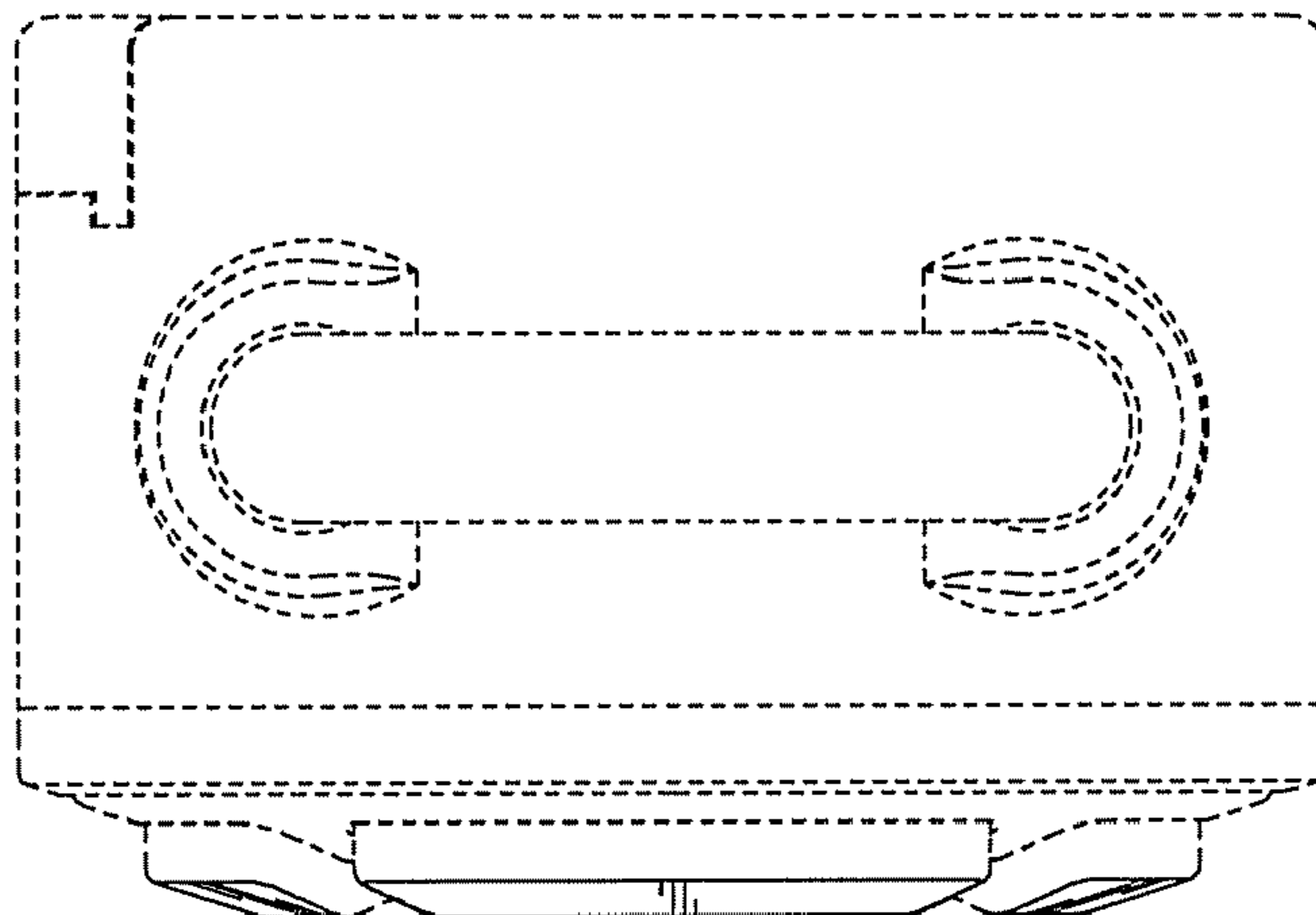


FIG. 2

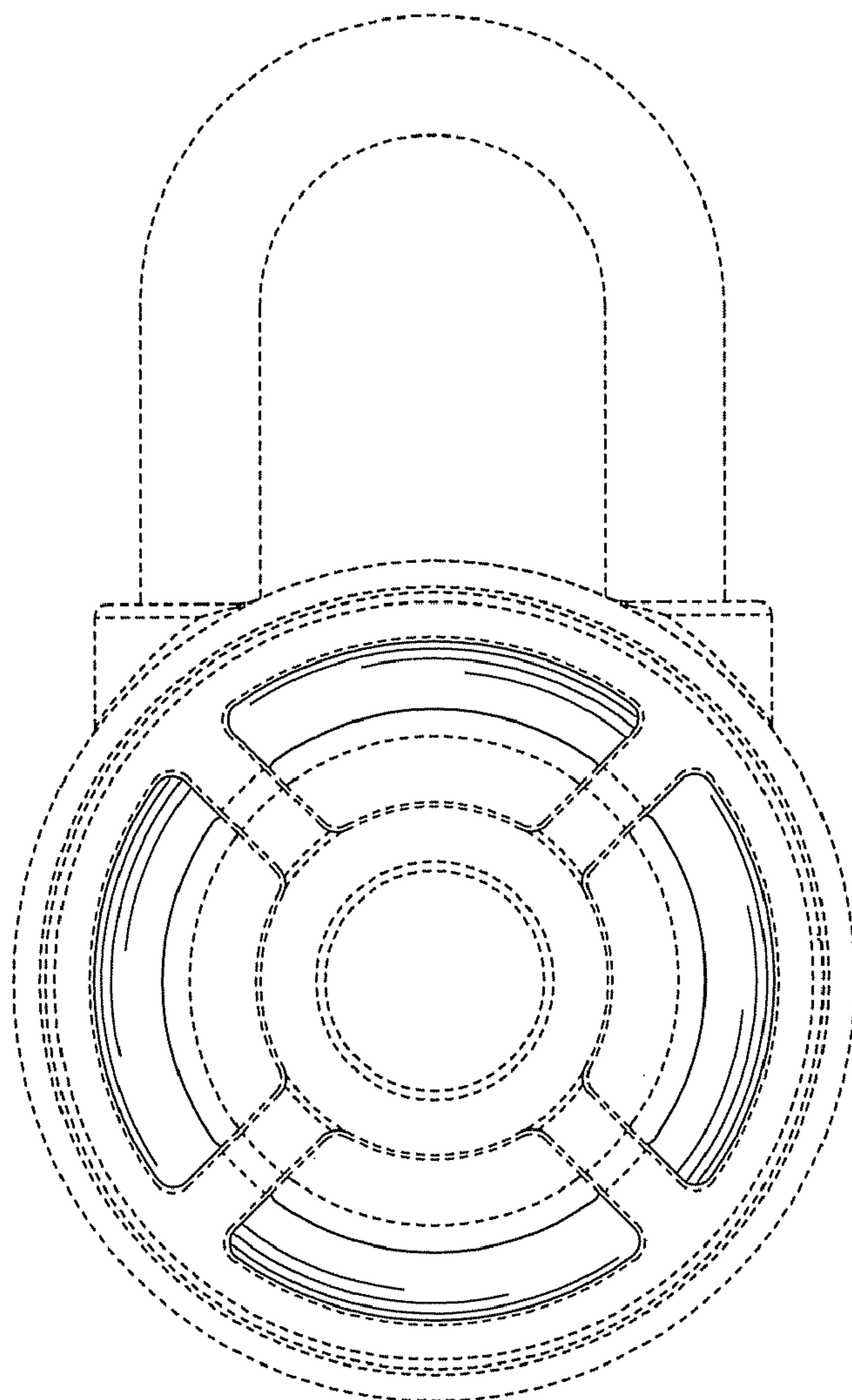


FIG. 3

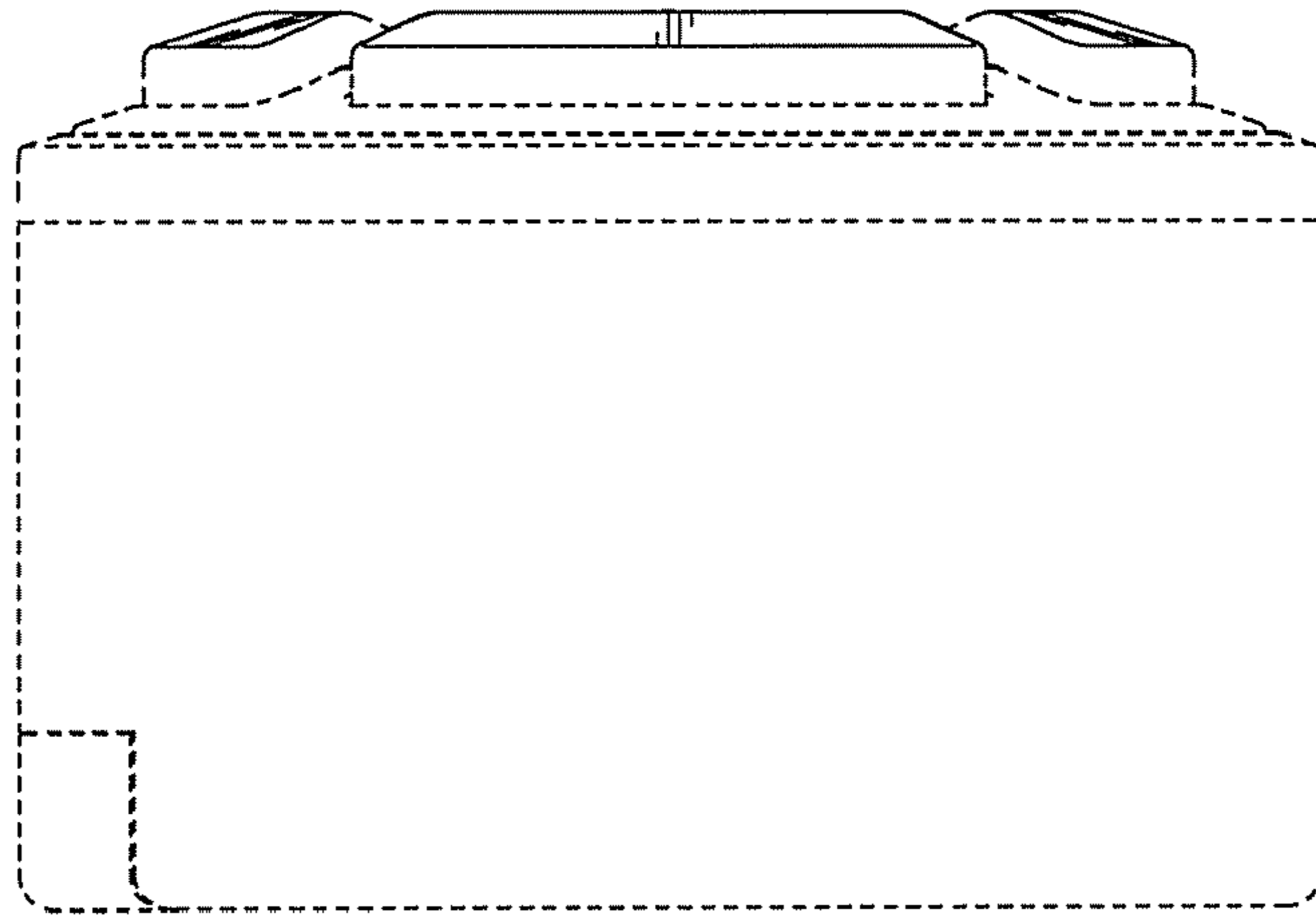


FIG. 4

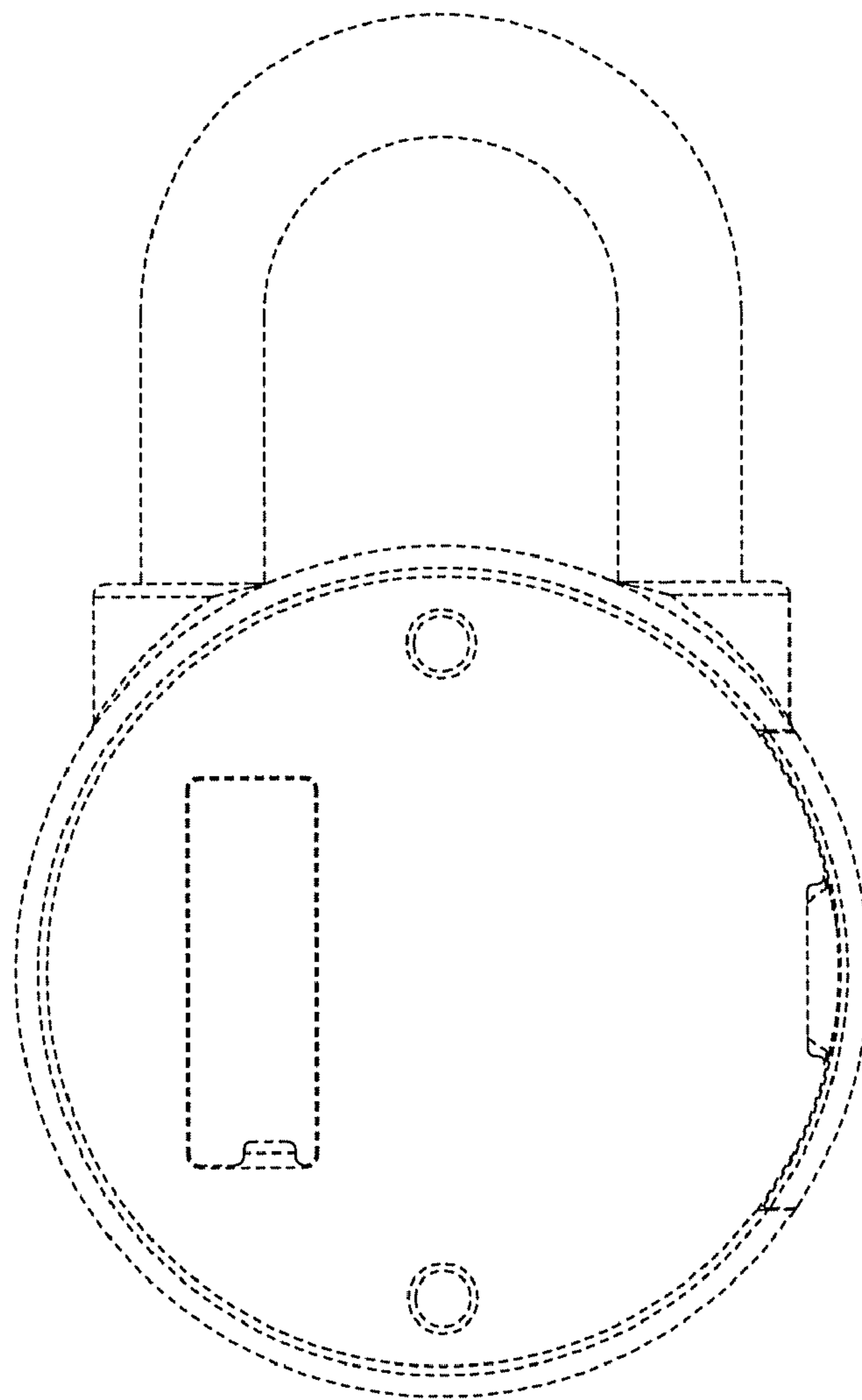


FIG. 5

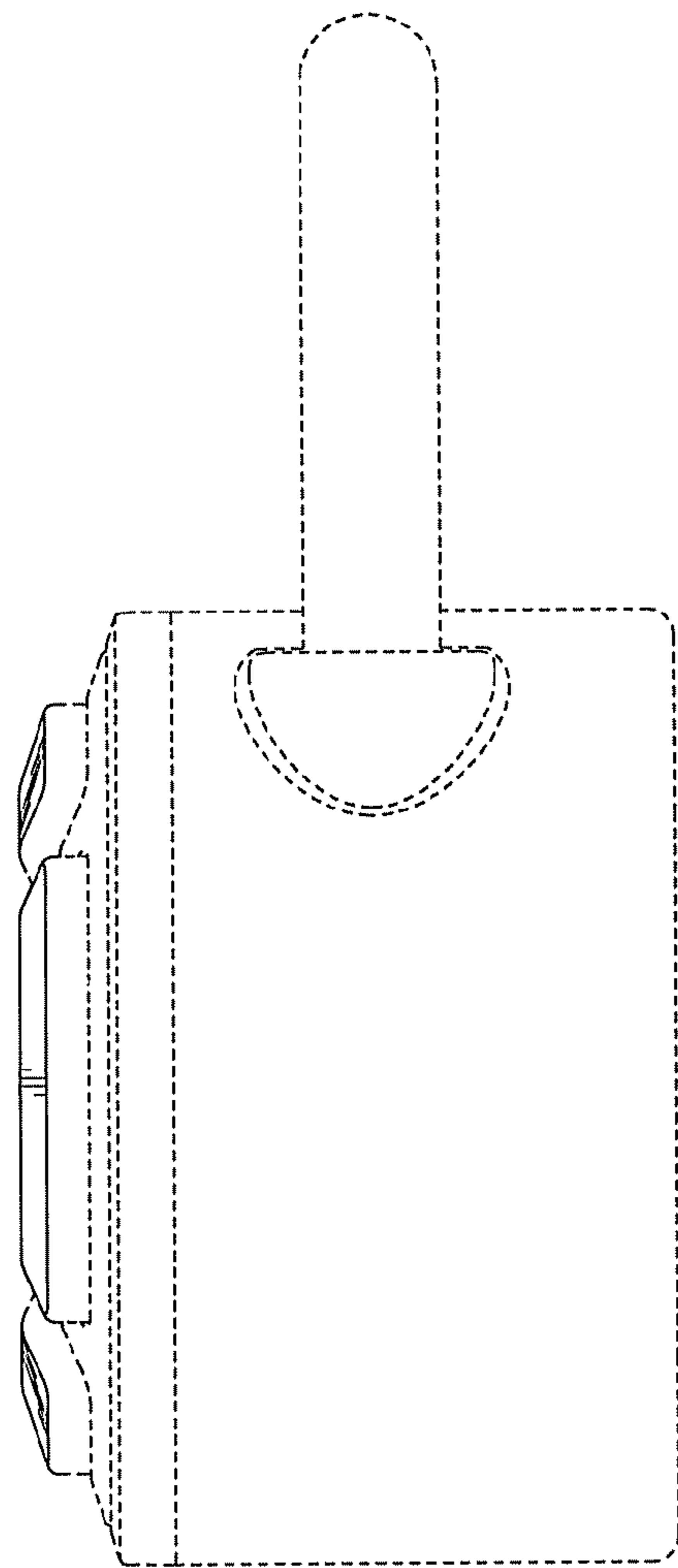


FIG. 6

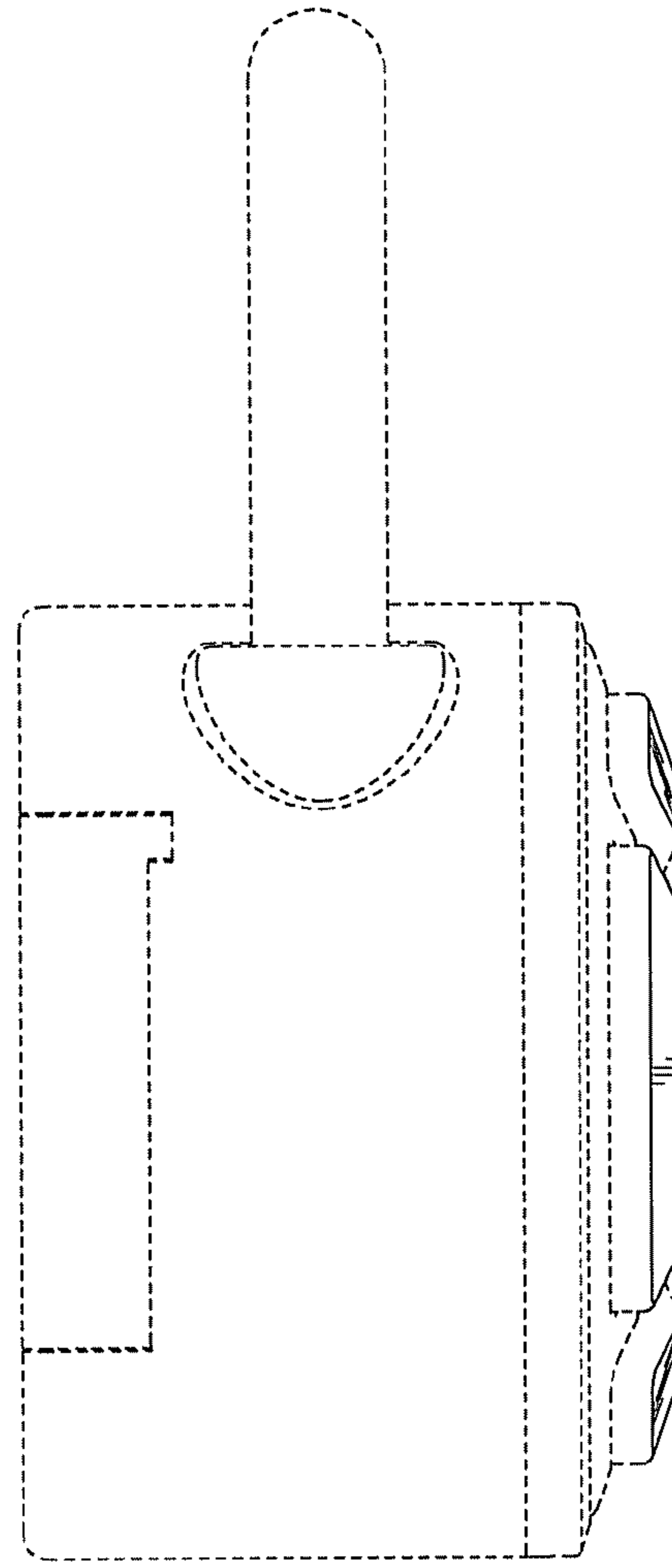


FIG. 7