

US00D652706S

(12) **United States Design Patent**
Osaki

(10) **Patent No.:** **US D652,706 S**
(45) **Date of Patent:** **** Jan. 24, 2012**

(54) **HINGE FOR FURNITURE**

(75) Inventor: **Masahiro Osaki**, Tokyo (JP)

(73) Assignee: **Sugatsune Kogyo Co., Ltd.**, Tokyo (JP)

(**) Term: **14 Years**

(21) Appl. No.: **29/345,425**

(22) Filed: **Oct. 15, 2009**

(30) **Foreign Application Priority Data**

Apr. 15, 2009 (JP) 2009-008623

(51) **LOC (9) Cl.** **08-06**

(52) **U.S. Cl.** **D8/329; D8/323**

(58) **Field of Classification Search** D8/328,
D8/323, 324, 330, 325, 327, 331, 336, 353,
D8/338, 329; D16/334; 4/236, 240; 16/309,
16/235, 275, 244, 379, 390, 430, 241, 238,
16/245, 236, 243, 242, 385, 225, 250; 49/381;
D23/302, 303; 248/682; D10/69; 33/347,
33/365-390; D3/905

See application file for complete search history.

(56) **References Cited**

U.S. PATENT DOCUMENTS

D4,489 S * 11/1870 Tiffany D8/323
2,050,045 A * 8/1936 Eden, Jr. 72/261
D299,616 S * 1/1989 Ferrari D8/323
D335,622 S * 5/1993 Millsap D8/323

5,253,390 A * 10/1993 Gross et al. 16/257
5,577,297 A * 11/1996 Lautenschlager et al. 16/382
D395,590 S * 6/1998 Finkelstein et al. D8/323
D451,000 S * 11/2001 Karl D8/323
D491,454 S * 6/2004 Yamaguchi D8/402
6,760,955 B2 * 7/2004 Salice 16/382
7,340,801 B2 * 3/2008 Yamaguchi 16/368
D633,366 S * 3/2011 Hasegawa et al. D8/329

* cited by examiner

Primary Examiner — Cynthia Underwood

(74) *Attorney, Agent, or Firm* — Osha • Liang LLP

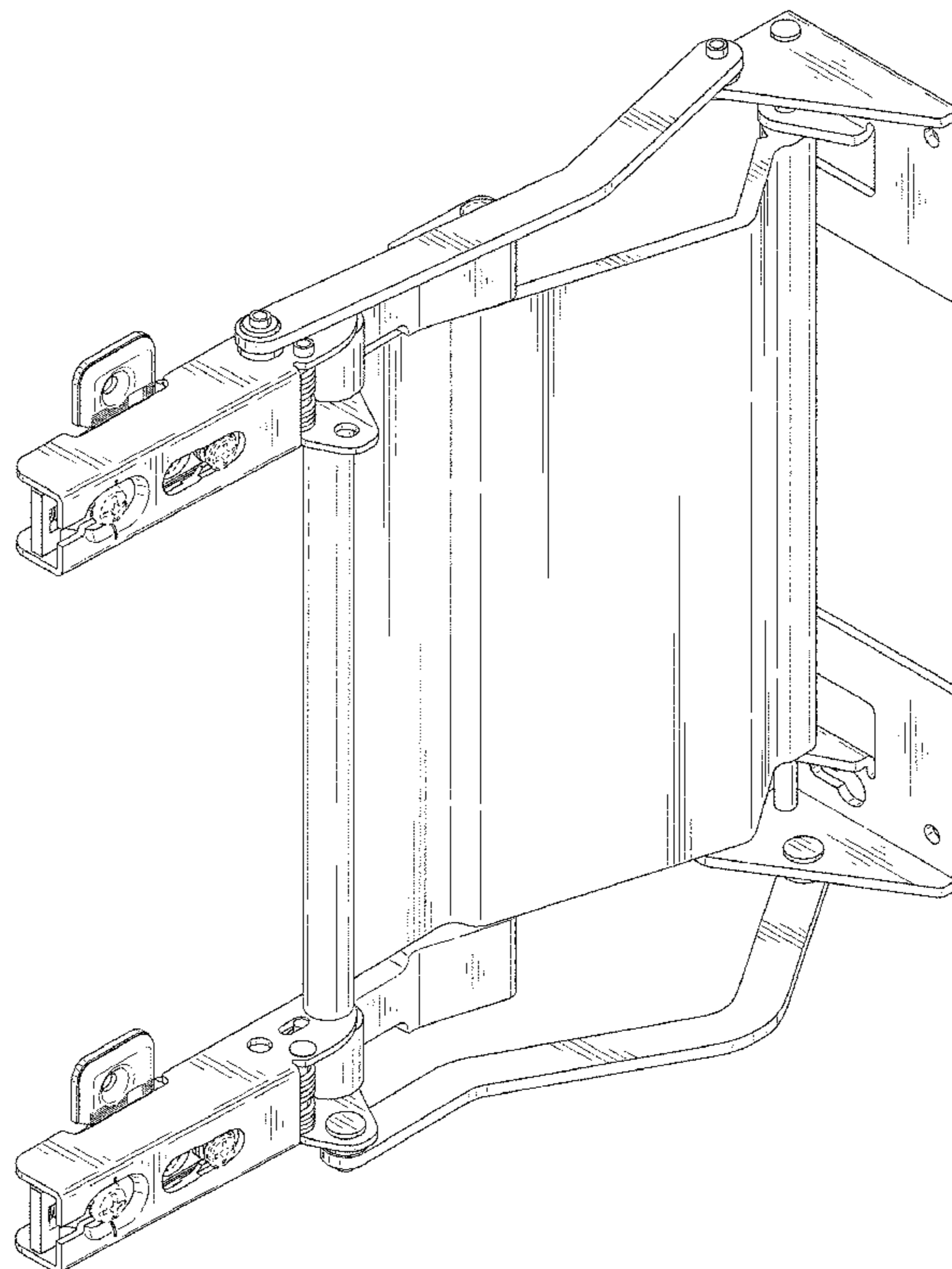
(57) **CLAIM**

The ornamental design for a hinge for furniture, as shown and described.

DESCRIPTION

FIG. 1 is a perspective view of the front, left and top of a hinge for furniture showing my new design;
FIG. 2 is a front view thereof;
FIG. 3 is a rear view thereof;
FIG. 4 is a top plan view thereof;
FIG. 5 is a bottom view thereof;
FIG. 6 is a left side view thereof;
FIG. 7 is a right side view thereof;
FIG. 8 is a top plan view in an alternate open position thereof;
FIG. 9 is a top plan view in a second alternate open position thereof;
FIG. 10 is a perspective view shown in use thereof;
FIG. 11 is another perspective view shown in use thereof; and,
FIG. 12 is another perspective view shown in use.
The elements shown in broken lines are for illustrative purposes only and form no part of the claimed design.

1 Claim, 9 Drawing Sheets



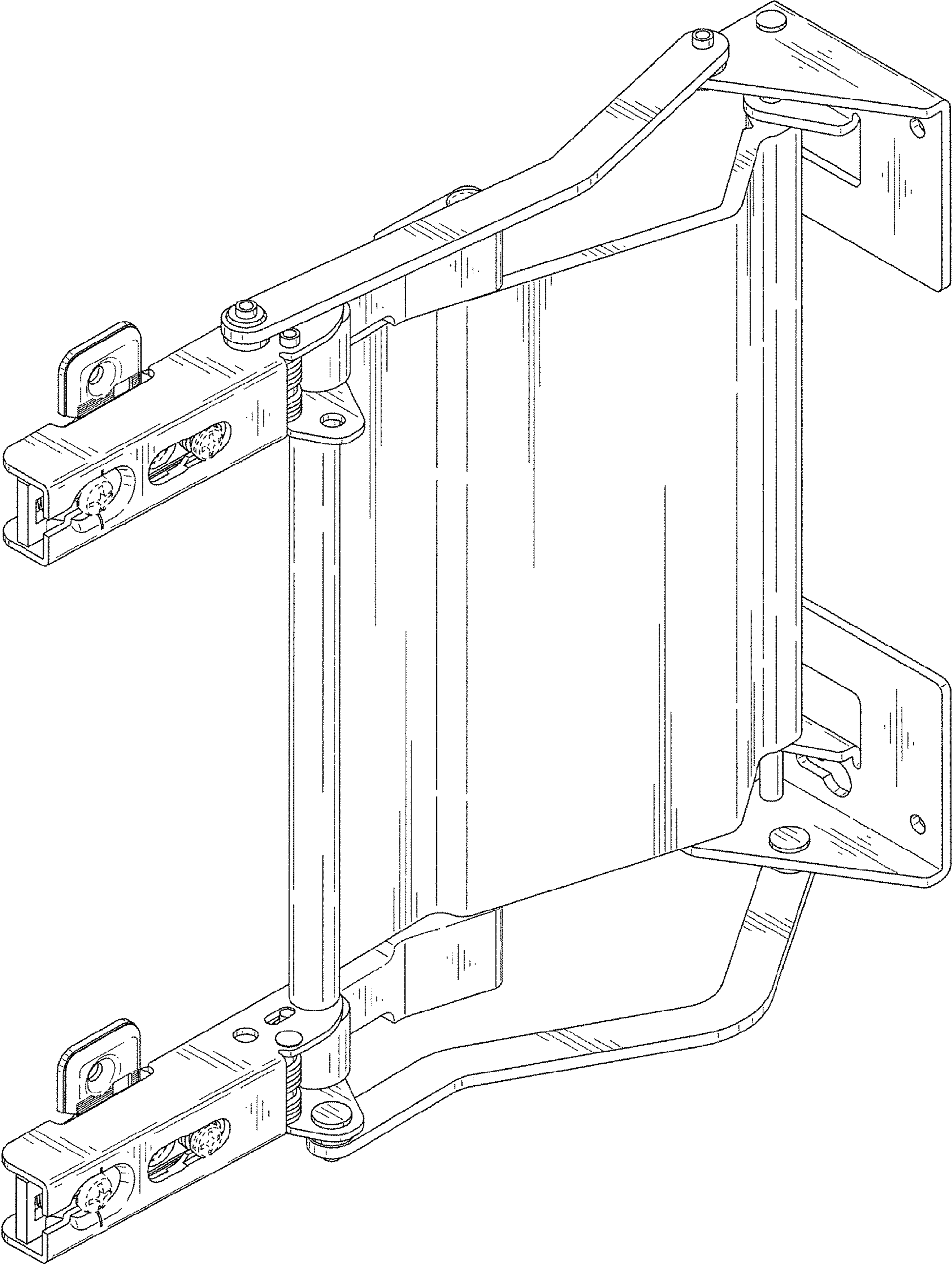


FIG. 1

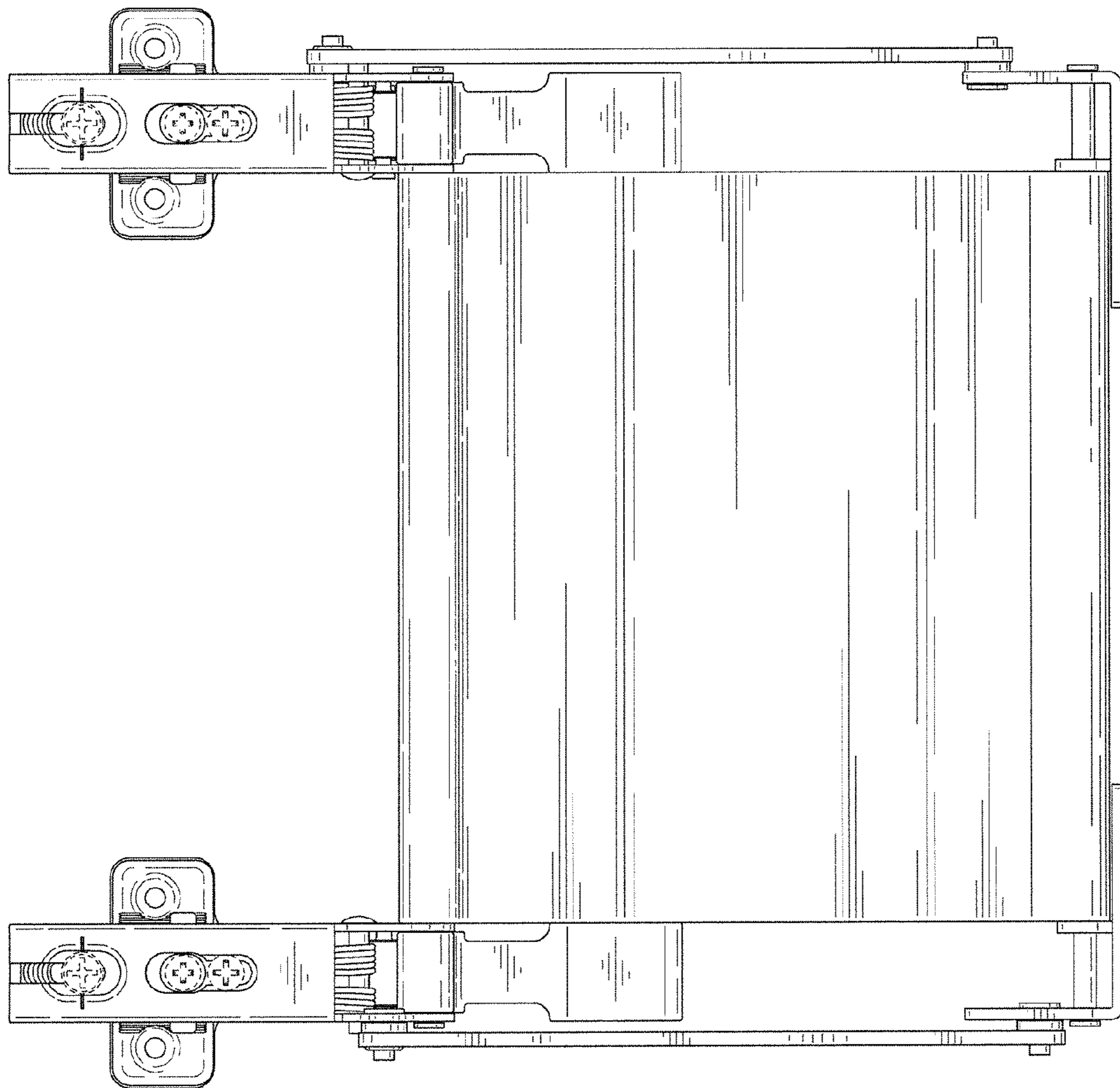


FIG. 2

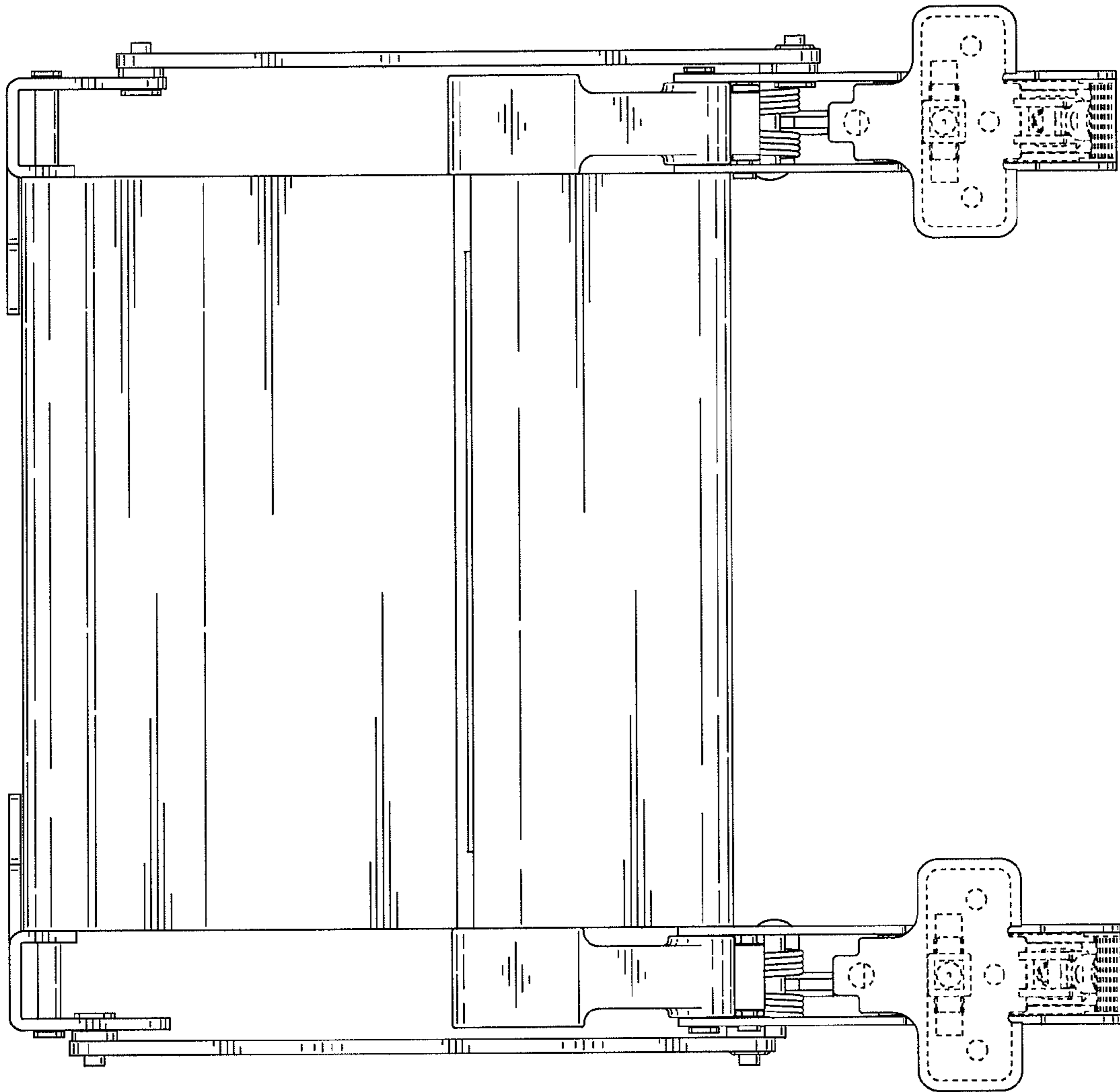


FIG. 3

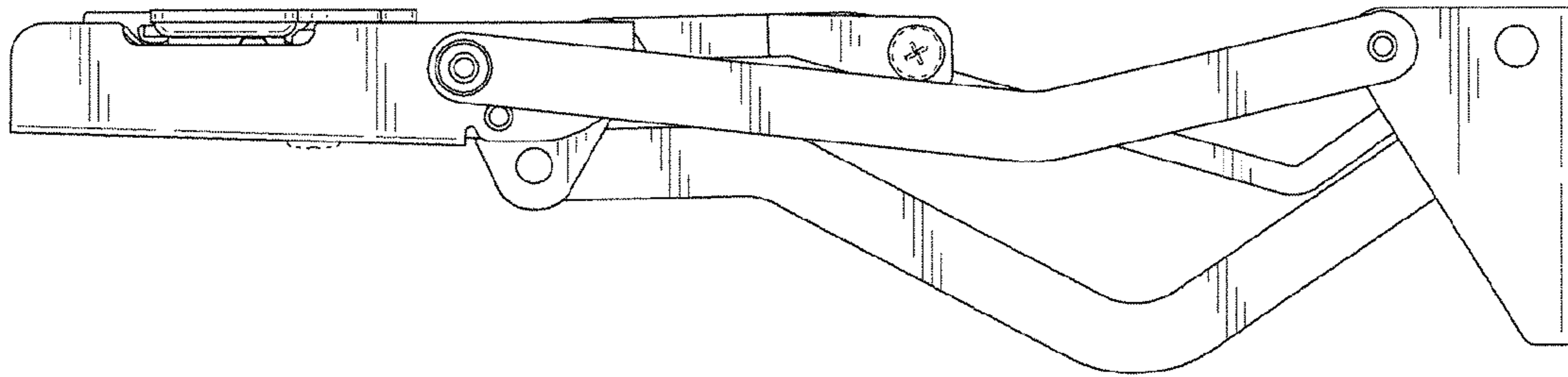


FIG. 4

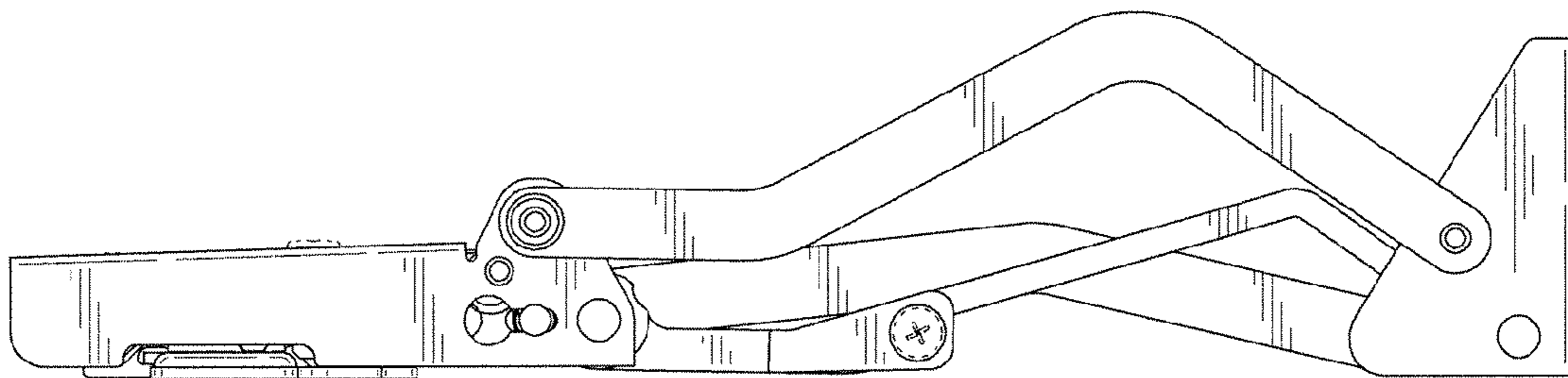


FIG. 5

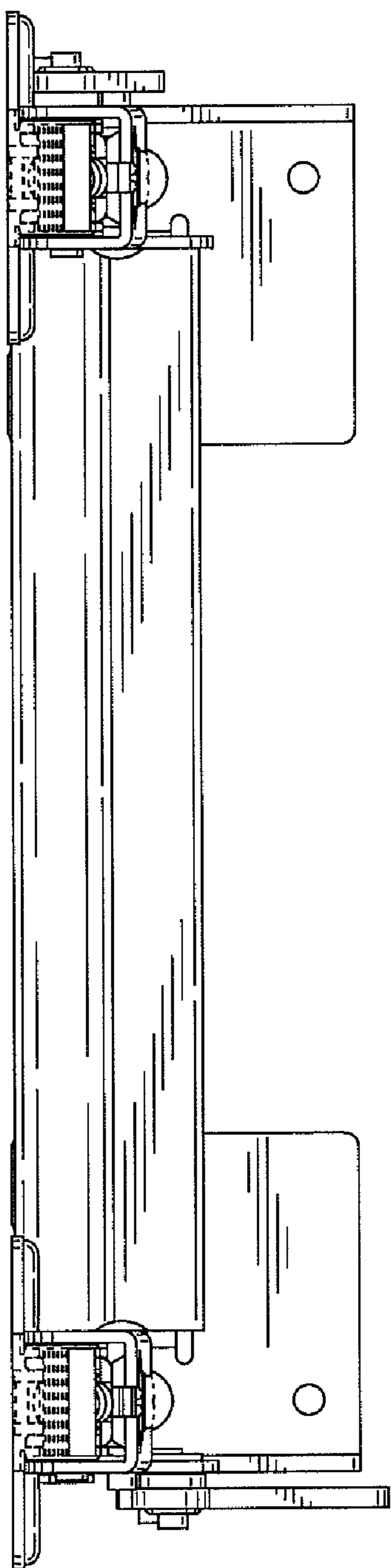


FIG. 6

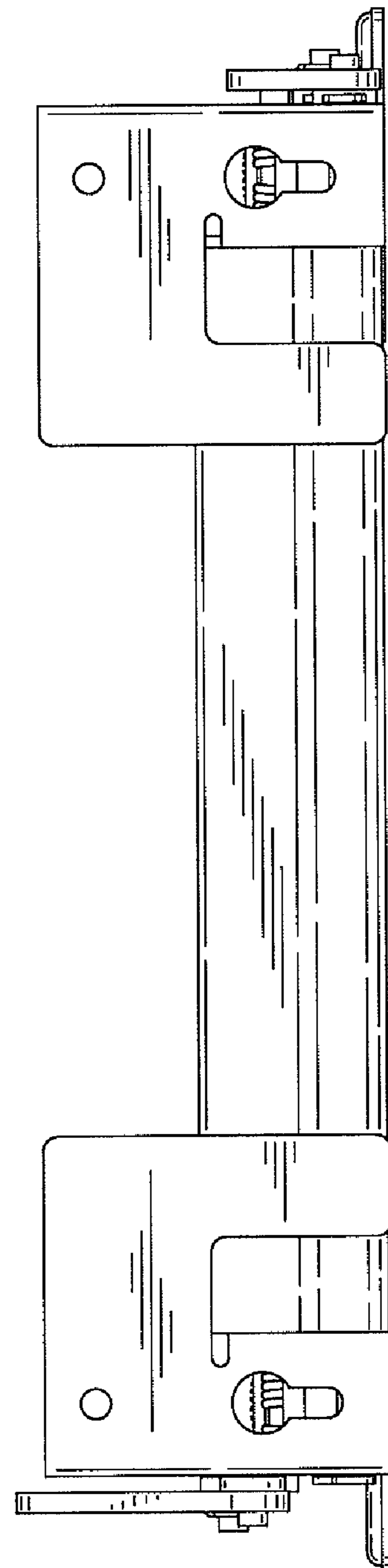


FIG. 7

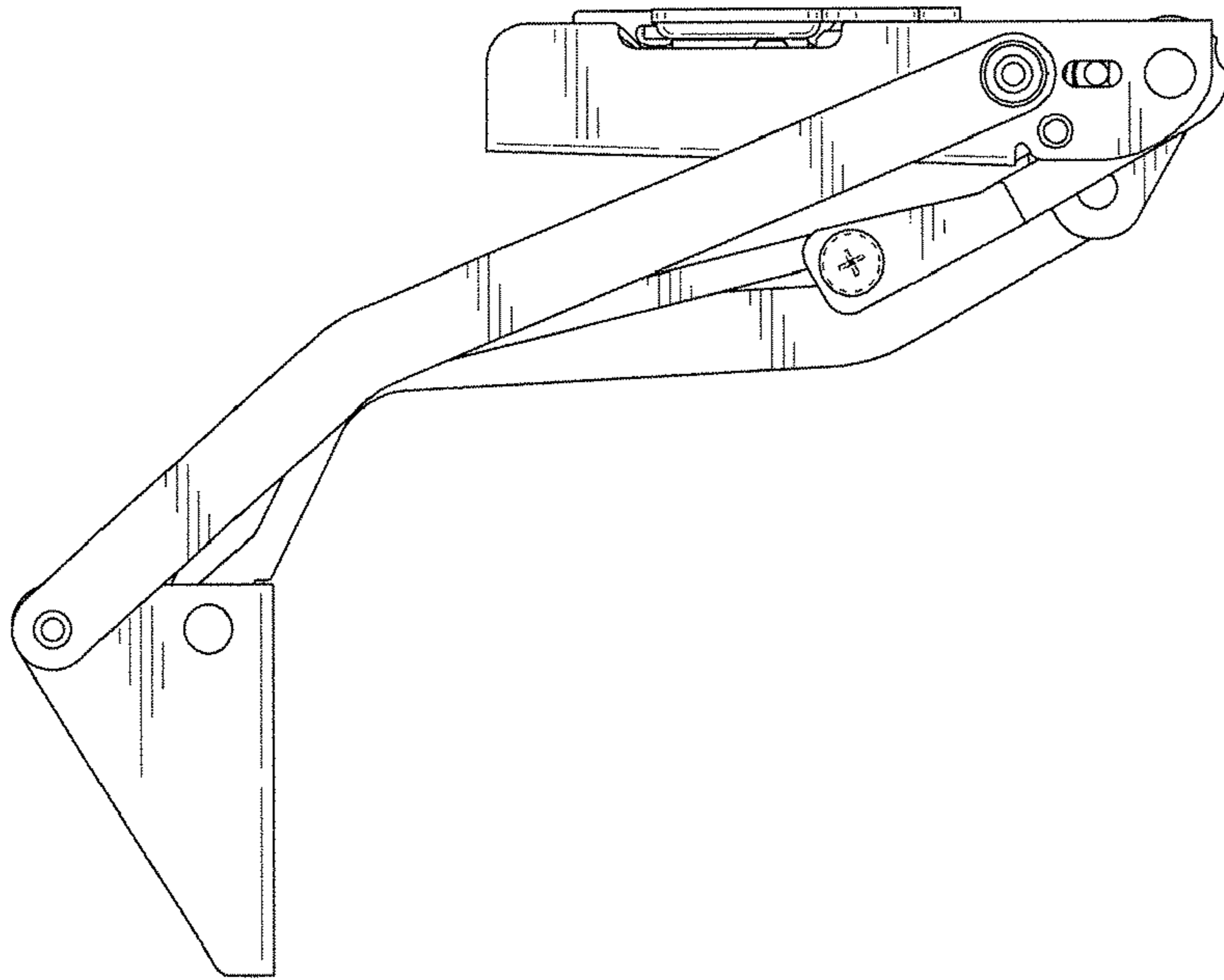


FIG. 8

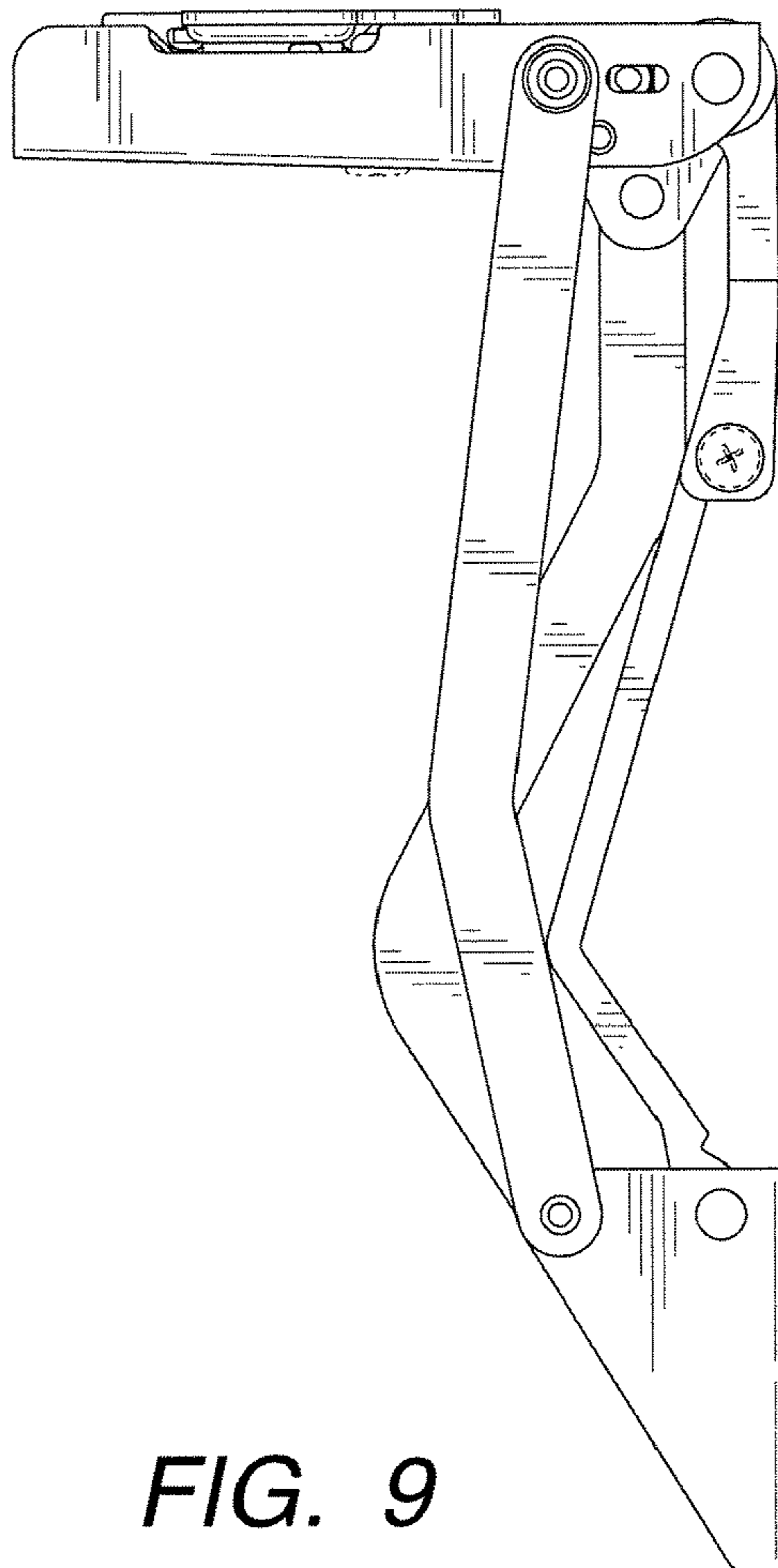


FIG. 9

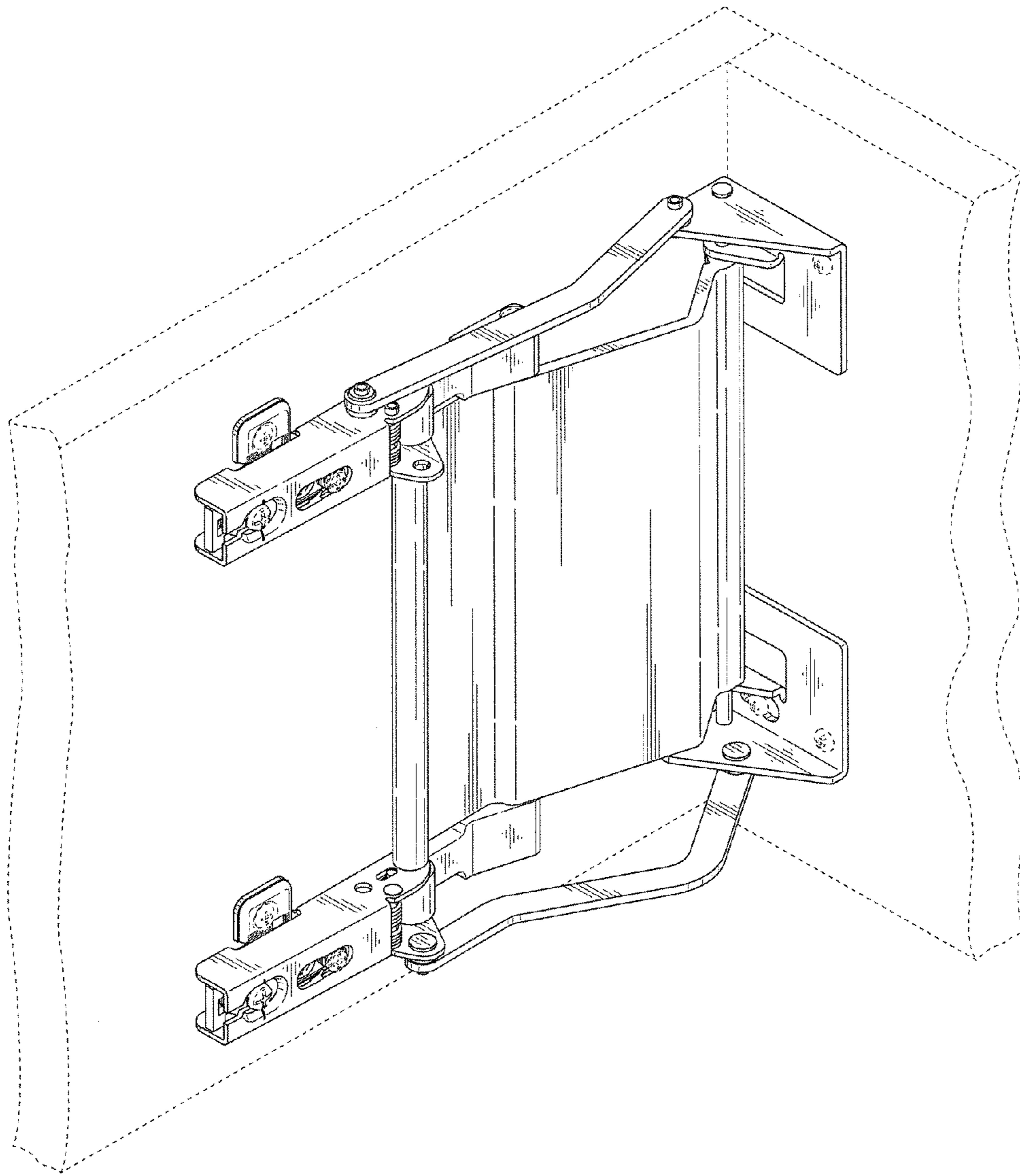


FIG. 10

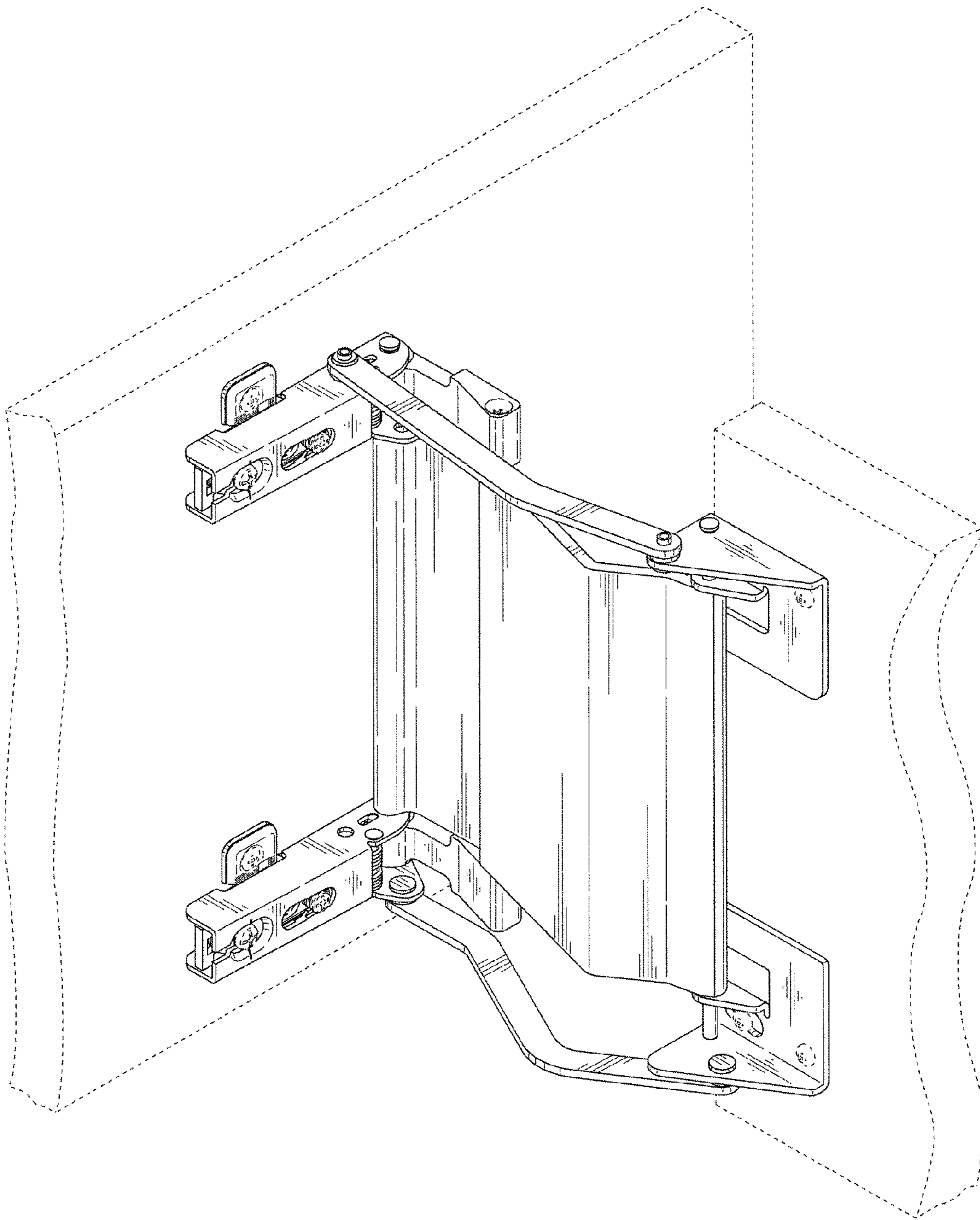


FIG. 11

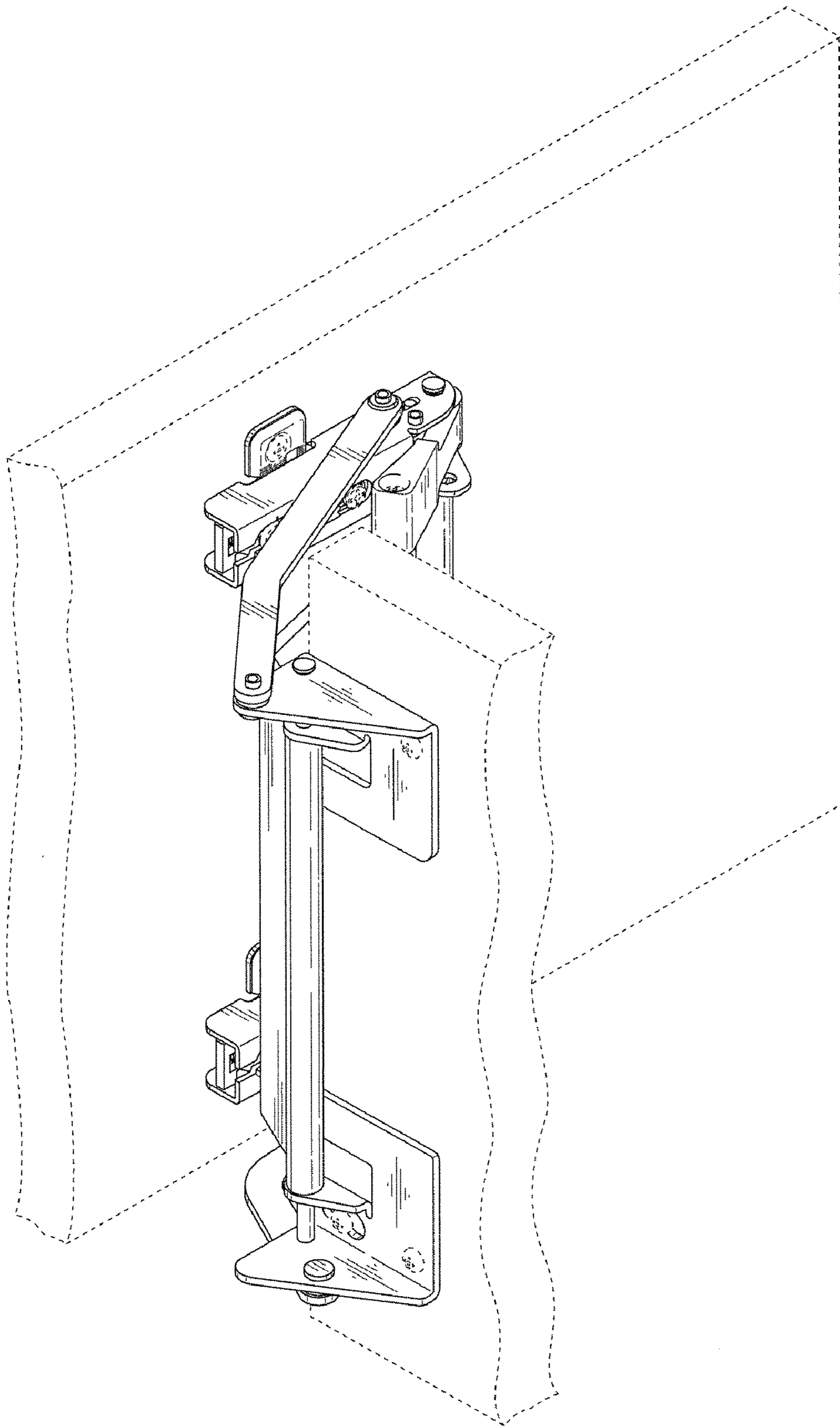


FIG. 12