



US00D652705S

(12) **United States Design Patent**  
**Stava**

(10) **Patent No.:** **US D652,705 S**

(45) **Date of Patent:** **\*\* Jan. 24, 2012**

(54) **HAND TOOL ATTACHMENT**

(76) Inventor: **Bradley W. Stava**, Hartland, WI (US)

(\*\*) Term: **14 Years**

(21) Appl. No.: **29/381,125**

(22) Filed: **Dec. 15, 2010**

(51) **LOC (9) Cl.** ..... **08-06**

(52) **U.S. Cl.** ..... **D8/300; D8/399**

(58) **Field of Classification Search** ..... D8/300,  
D8/322, 397, 399, 14; 16/108, 109, 110.1,  
16/412, 904; D99/5; 150/155; 273/160;  
292/1; D21/479, 488

See application file for complete search history.

(56) **References Cited**

**U.S. PATENT DOCUMENTS**

852,781	A *	5/1907	Lundberg	73/330
1,999,482	A *	4/1935	Riemenschneider	16/108
2,036,790	A *	4/1936	Belmont	16/109
2,101,514	A *	12/1937	Schmaus	285/46
D155,349	S *	9/1949	Lear	D8/310
2,608,409	A *	8/1952	Pinkerton	473/256
2,723,139	A *	11/1955	Whiteley	403/361
3,082,028	A *	3/1963	Werle	292/1
3,556,571	A *	1/1971	Laub, Jr.	292/1
3,623,757	A *	11/1971	Schlage	292/1
D420,897	S *	2/2000	Fuller et al.	D8/397
D431,373	S *	10/2000	Zappitelli	D6/300
6,298,521	B1 *	10/2001	Butterfield	16/412
D520,332	S *	5/2006	Samson et al.	D8/307
D635,838	S *	4/2011	Shyu et al.	D8/308

\* cited by examiner

*Primary Examiner* — Paula Greene

(74) *Attorney, Agent, or Firm* — Ryan Kromholz & Manion, S.C.

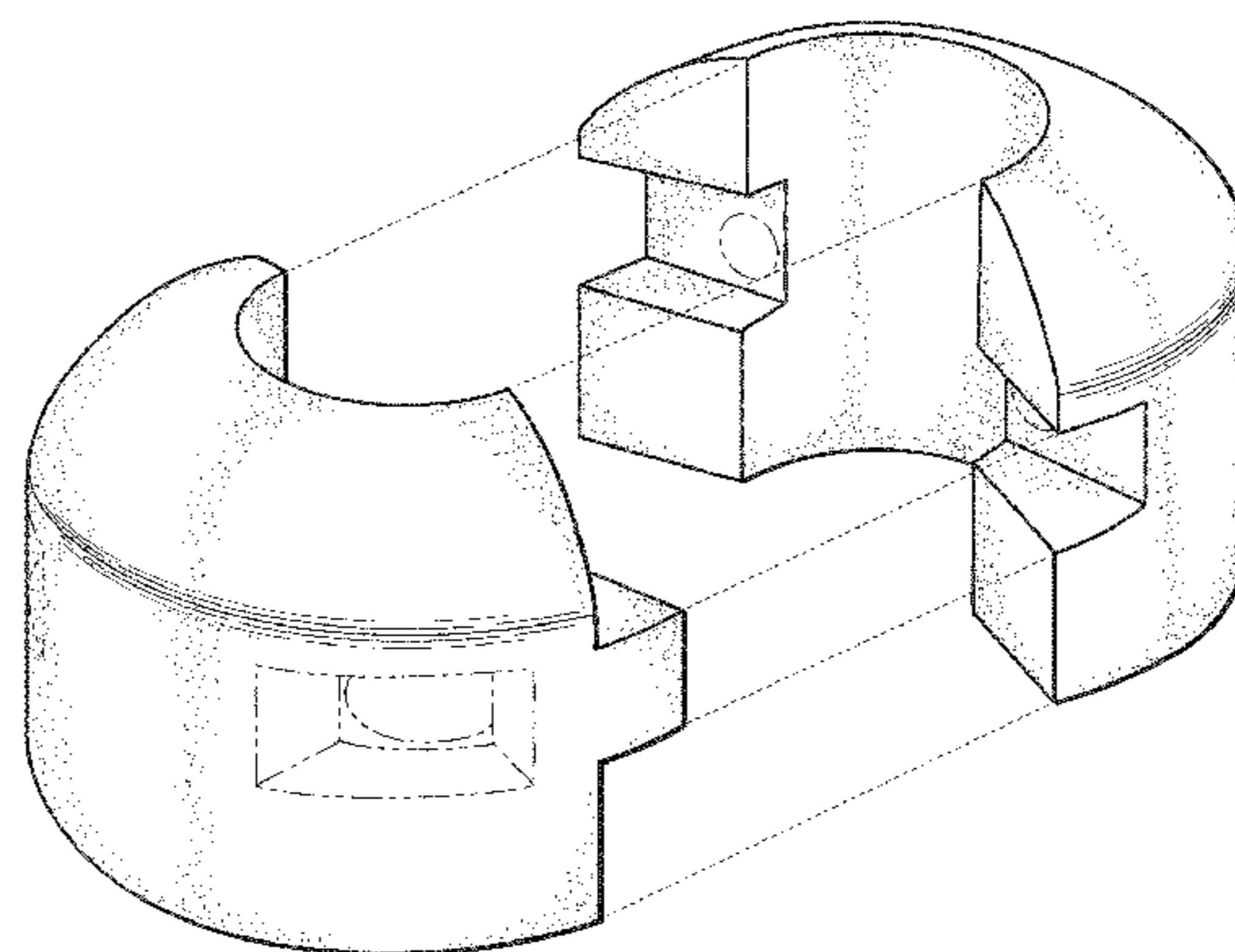
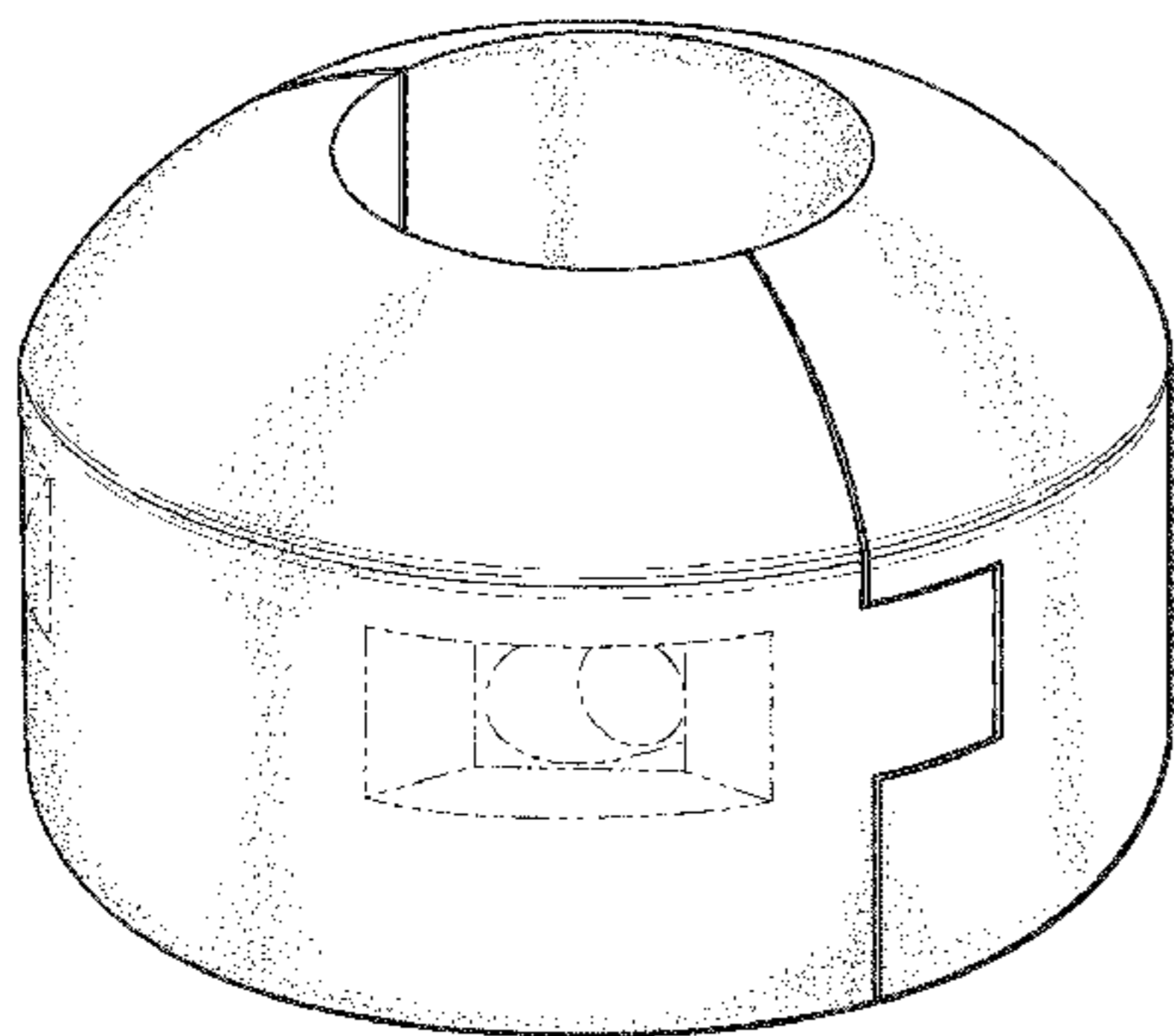
(57) **CLAIM**

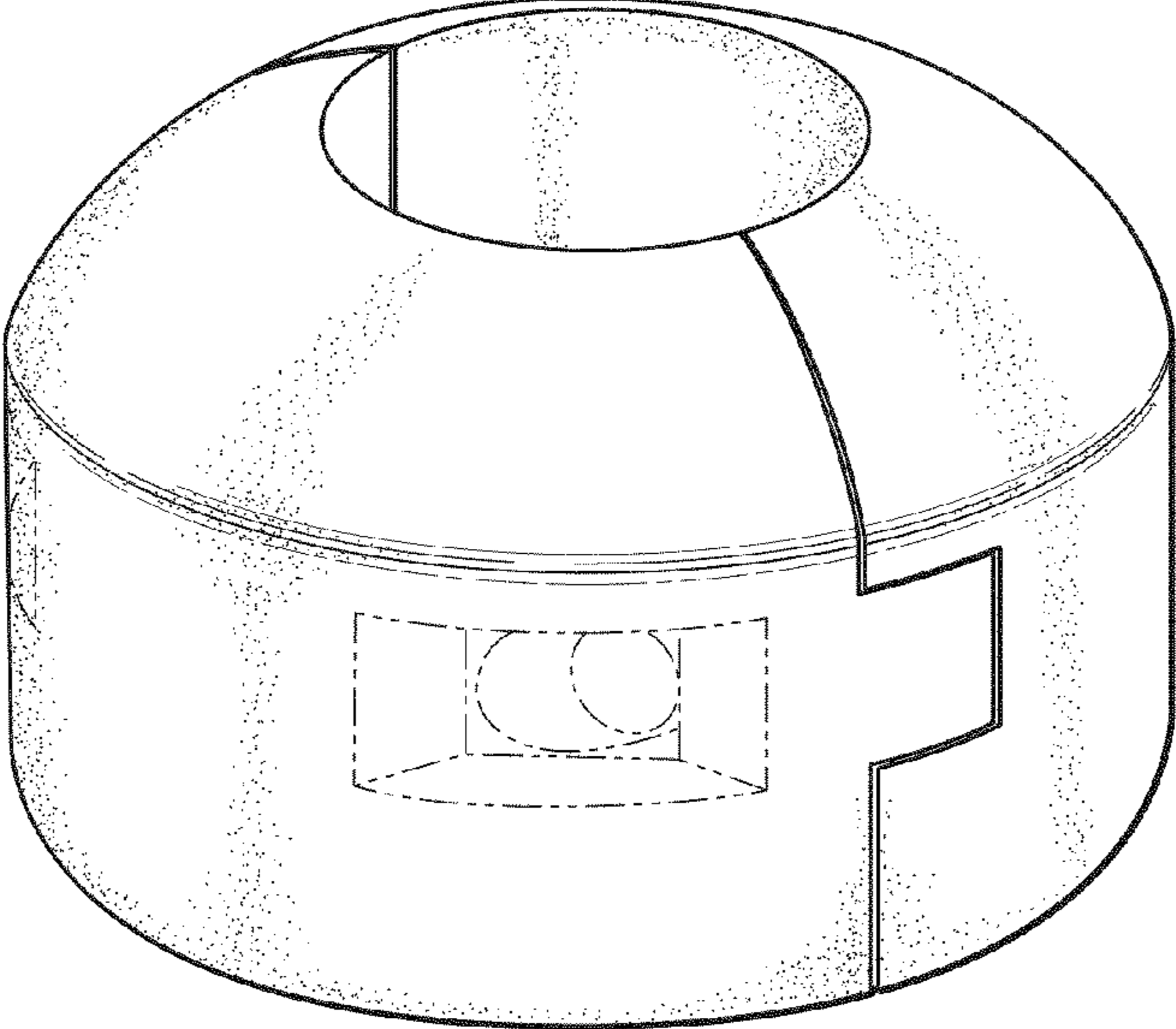
The ornamental design for a hand tool attachment, as shown and described.

**DESCRIPTION**

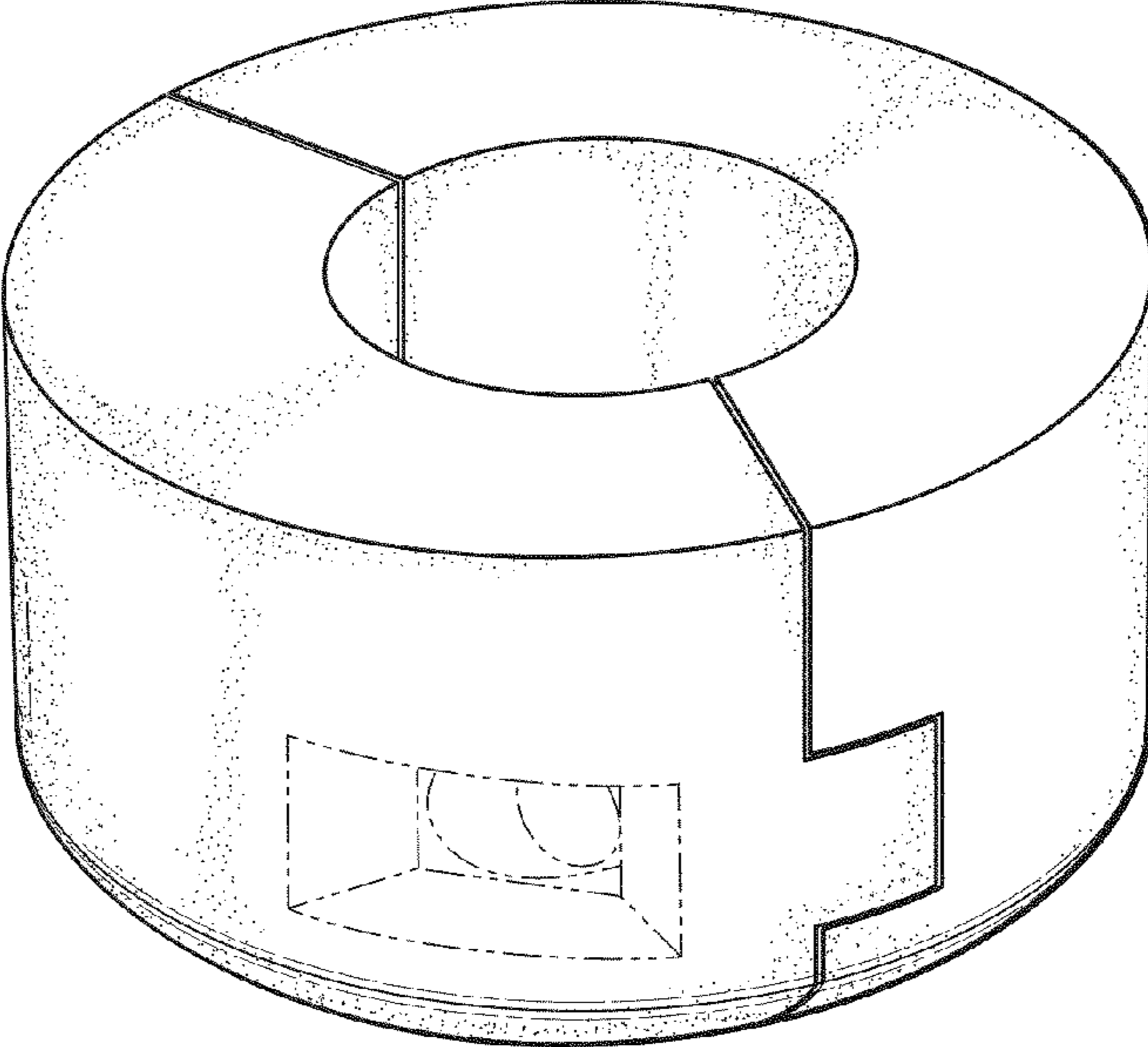
FIG. 1 is a top perspective view of an assembled hand tool attachment of the present invention;  
 FIG. 2 is a bottom perspective view of an assembled hand tool attachment of the present invention;  
 FIG. 3 is an exploded top perspective view of an assembled hand tool attachment of the present invention;  
 FIG. 4 is a first side view perspective view of an assembled hand tool attachment of the present invention;  
 FIG. 5 is a second side view perspective view of an assembled hand tool attachment of the present invention;  
 FIG. 6 is a third side view of an assembled hand tool attachment of the present invention;  
 FIG. 7 is a fourth side view of an assembled hand tool attachment of the present invention;  
 FIG. 8 is a bottom view perspective view of an assembled hand tool attachment of the present invention; and,  
 FIG. 9 is a top view perspective view of an assembled hand tool attachment of the present invention.  
 The broken lines form no part of the claimed design.

**1 Claim, 5 Drawing Sheets**

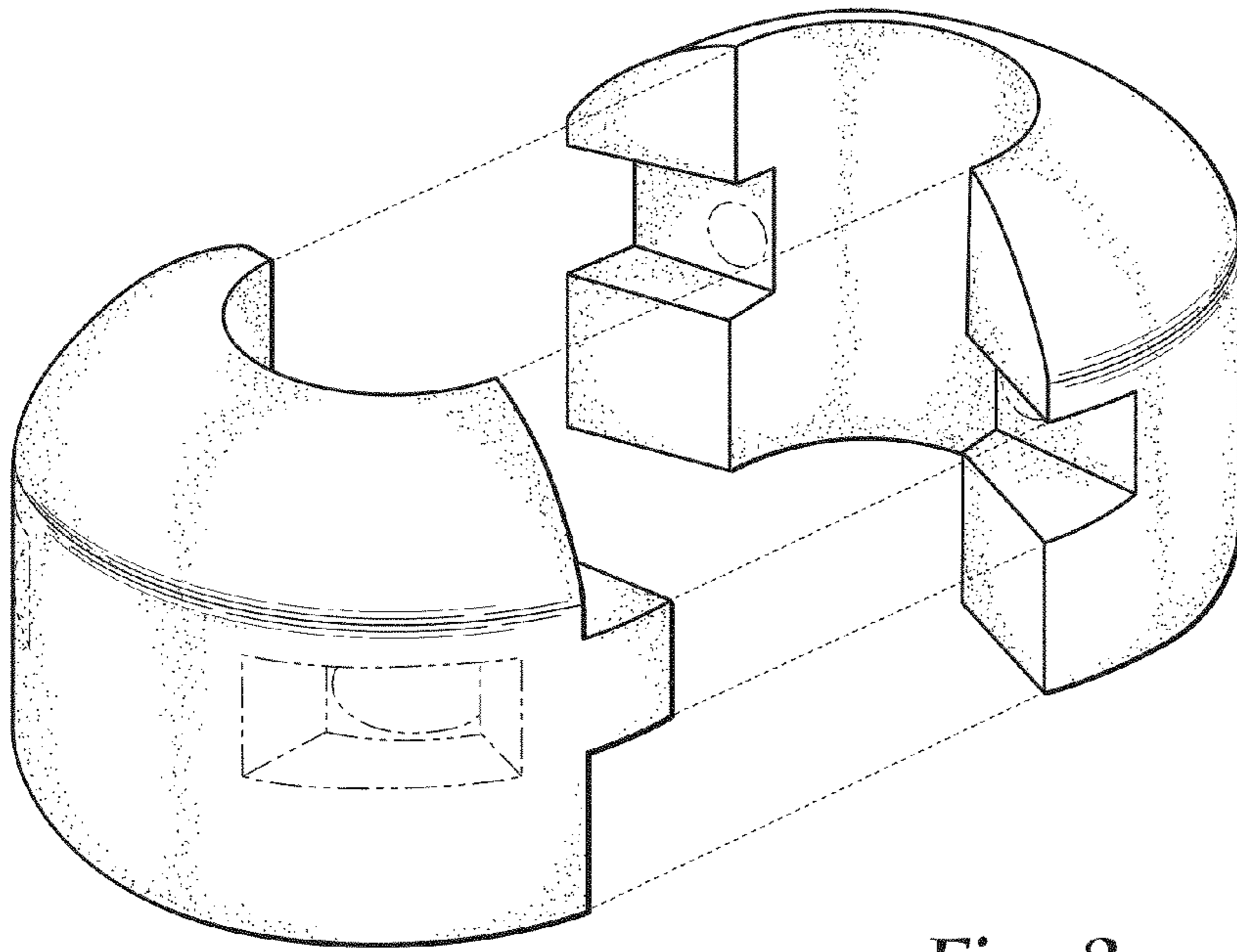




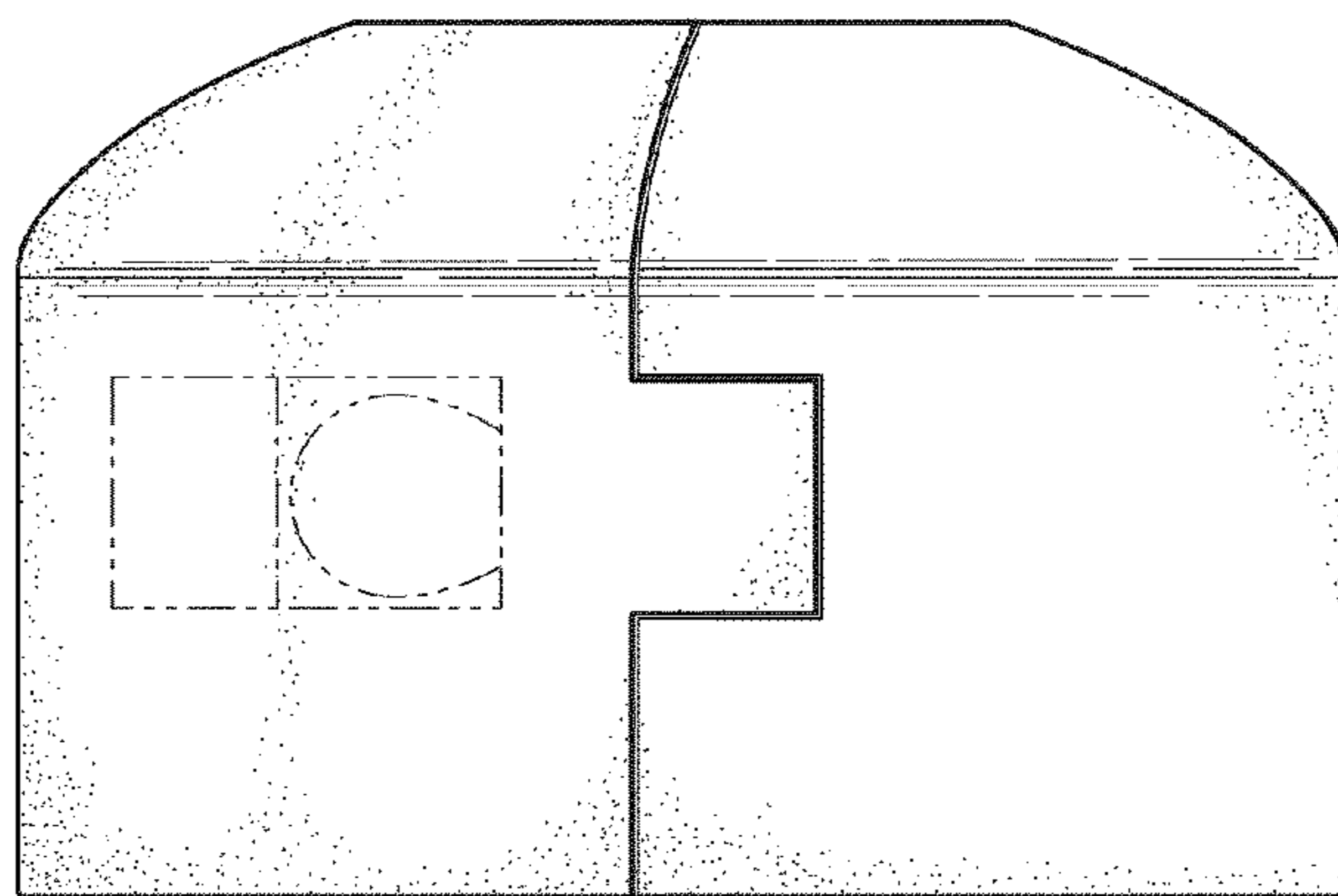
*Fig. 1*



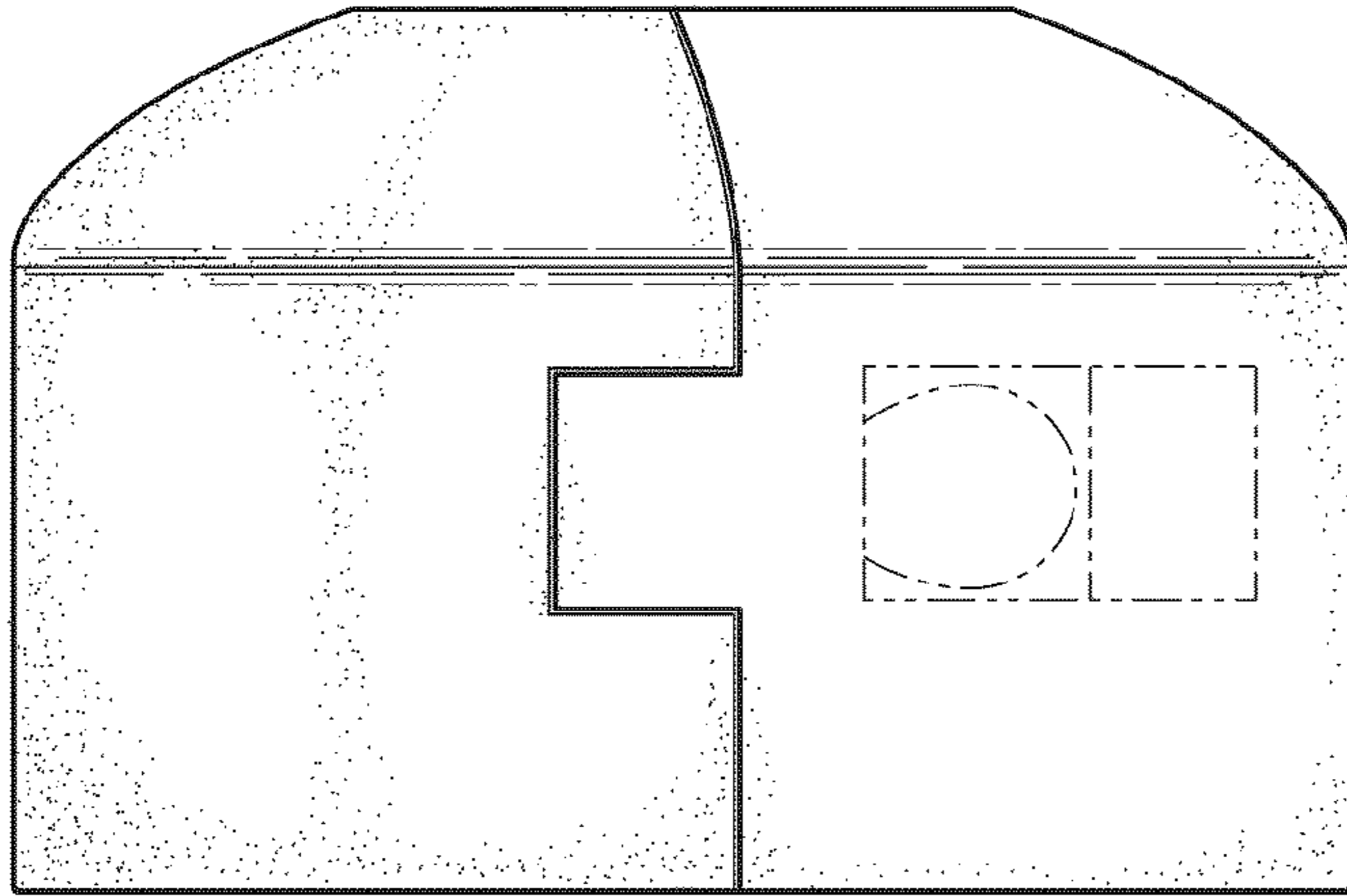
*Fig. 2*



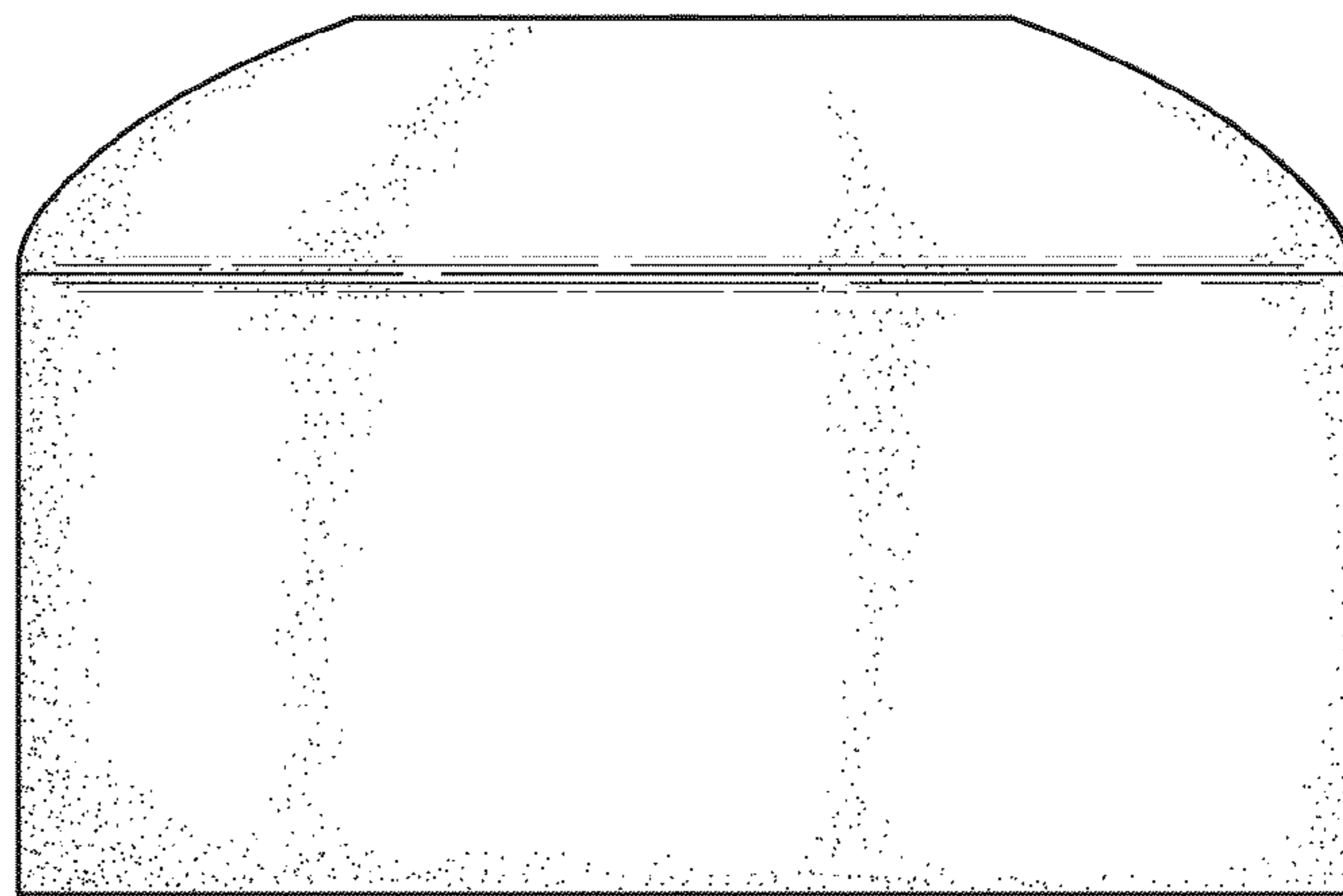
*Fig. 3*



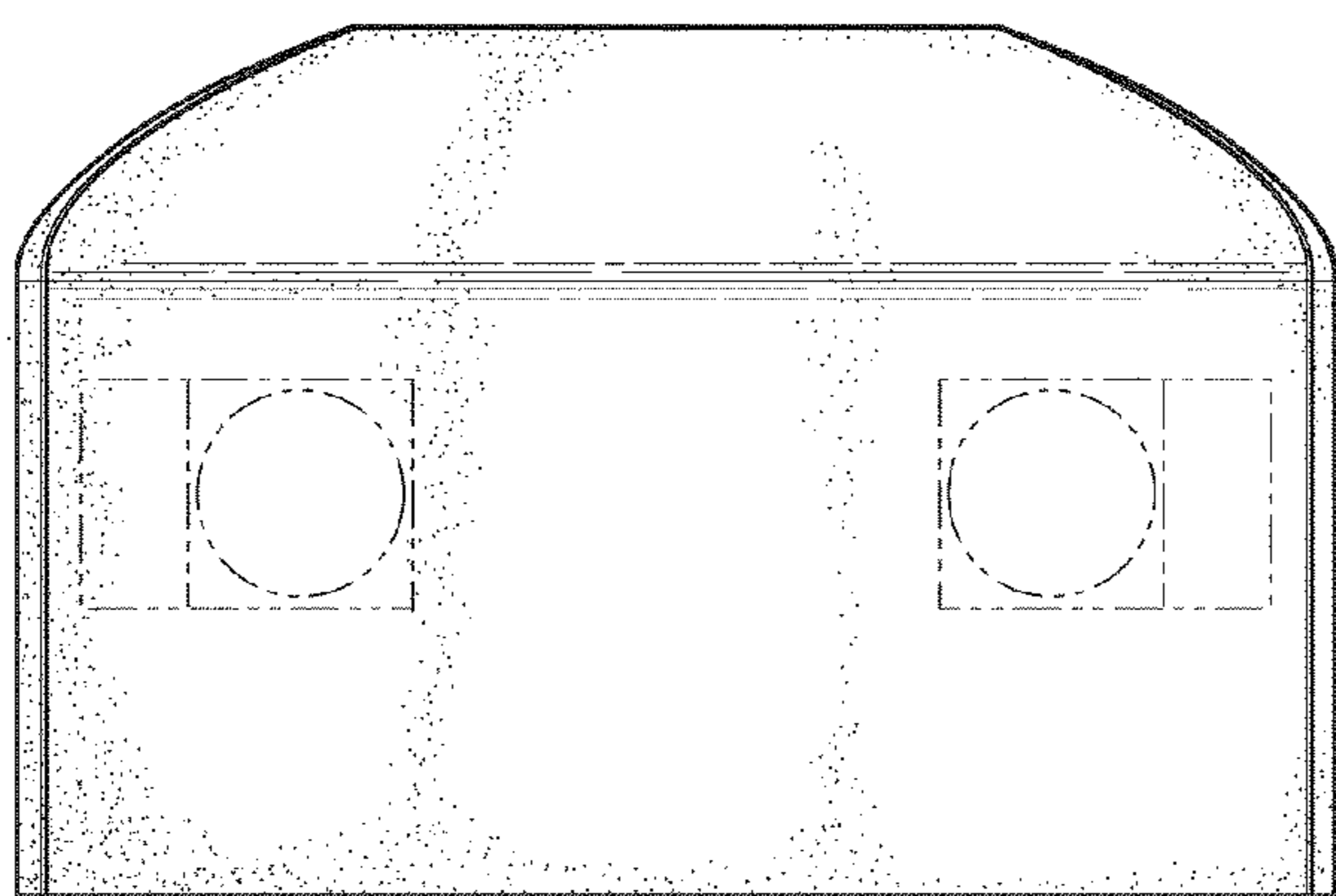
*Fig. 4*



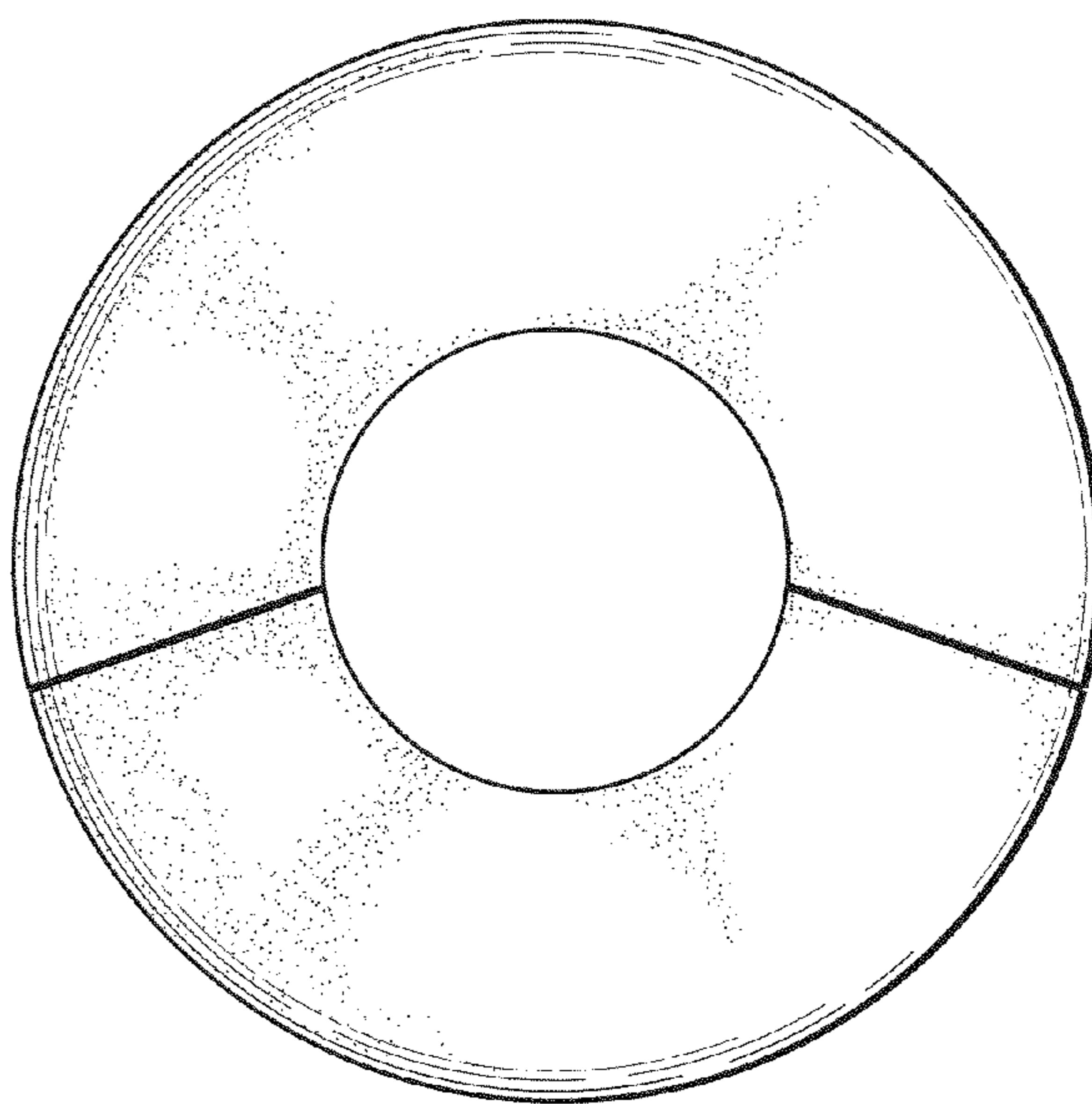
*Fig. 5*



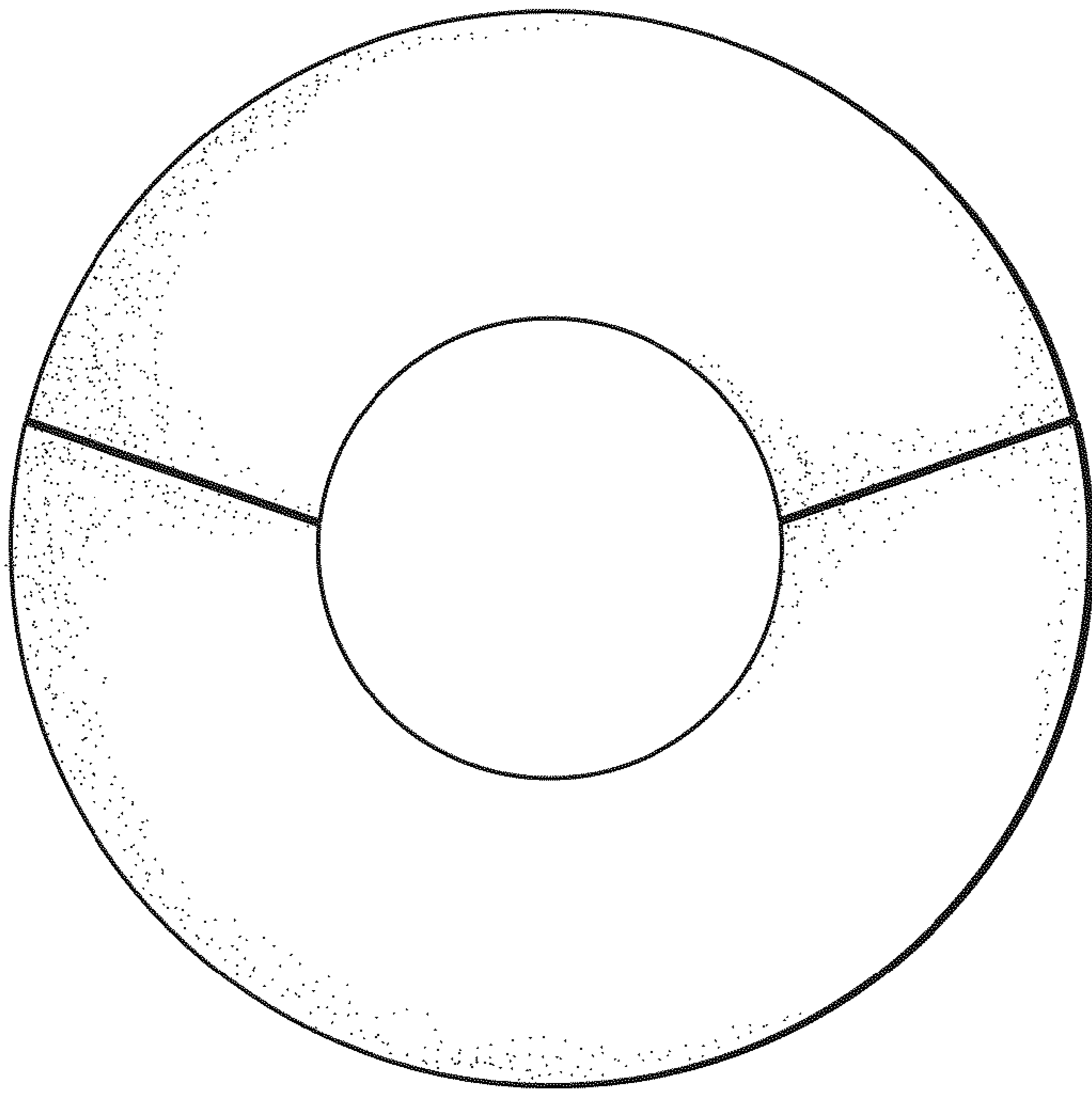
*Fig. 6*



*Fig. 7*



*Fig. 8*



*Fig. 9*