



US00D652704S

(12) **United States Design Patent**  
**Ebert**

(10) **Patent No.:** **US D652,704 S**

(45) **Date of Patent:** **\*\* Jan. 24, 2012**

(54) **LAMINATE CUTTER**

(75) **Inventor:** **Winfried Ebert, Weibern (DE)**

(73) **Assignee:** **Wolcraft GmbH, Kempenich (DE)**

(\*\*) **Term:** **14 Years**

(21) **Appl. No.:** **29/375,757**

(22) **Filed:** **Sep. 27, 2010**

(30) **Foreign Application Priority Data**

Apr. 27, 2010 (EM) ..... 001211072

(51) **LOC (9) Cl.** ..... **08-03**

(52) **U.S. Cl.** ..... **D8/98; D8/51; D18/34.7**

(58) **Field of Classification Search** ..... D18/34.1-34.9;  
D8/51, 98; D15/122, 127; D7/698, 693;  
125/23.02; 83/607, 646, 648, 468, 468.1,  
83/605; 30/253, 294, 123; 452/16

See application file for complete search history.

(56) **References Cited**

**U.S. PATENT DOCUMENTS**

3,783	A *	10/1844	Roys	83/646
55,861	A *	6/1866	Holmes	30/272.1
74,248	A *	2/1868	Robinson	241/262
469,078	A *	2/1892	Cleveland	83/607
533,352	A *	1/1895	Ernest	125/23.01
552,364	A *	12/1895	Glunt	125/23.01
562,051	A *	6/1896	Van Pelt	125/23.01
1,274,551	A *	8/1918	Hoyt	83/646
1,805,399	A *	5/1931	Hendrick	83/607
2,164,688	A *	7/1939	Parsons et al.	125/23.01
2,395,978	A *	3/1946	Swenson	125/23.01
2,496,018	A *	1/1950	Pearson	83/607

2,563,741	A *	8/1951	Patton	83/136
2,789,642	A *	4/1957	Schwork	83/608
3,134,285	A *	5/1964	Greene	83/468.3
3,356,118	A *	12/1967	Priest	83/648
3,393,595	A *	7/1968	Halverson et al.	83/580
3,735,445	A *	5/1973	Jurcak	452/6
4,054,994	A *	10/1977	Grossman	30/296.1
4,387,616	A *	6/1983	Ireland	83/608
5,010,795	A *	4/1991	Kania	83/607
5,038,477	A *	8/1991	Parrow	30/253
5,251,524	A *	10/1993	Clifford	83/383
D342,870	S *	1/1994	LeClair	D7/693
6,058,820	A *	5/2000	Rinner	83/200
D481,272	S *	10/2003	Jeffers	D7/693
D525,095	S *	7/2006	Marcon	D8/51
D593,599	S *	6/2009	Peterson et al.	D18/34.8
D604,137	S *	11/2009	Ebert	D8/98
2009/0223067	A1 *	9/2009	Zhang	30/294

\* cited by examiner

*Primary Examiner* — Jeffrey D Asch

(74) *Attorney, Agent, or Firm* — Lucas & Mercanti, LLP;  
Klaus P. Stoffel

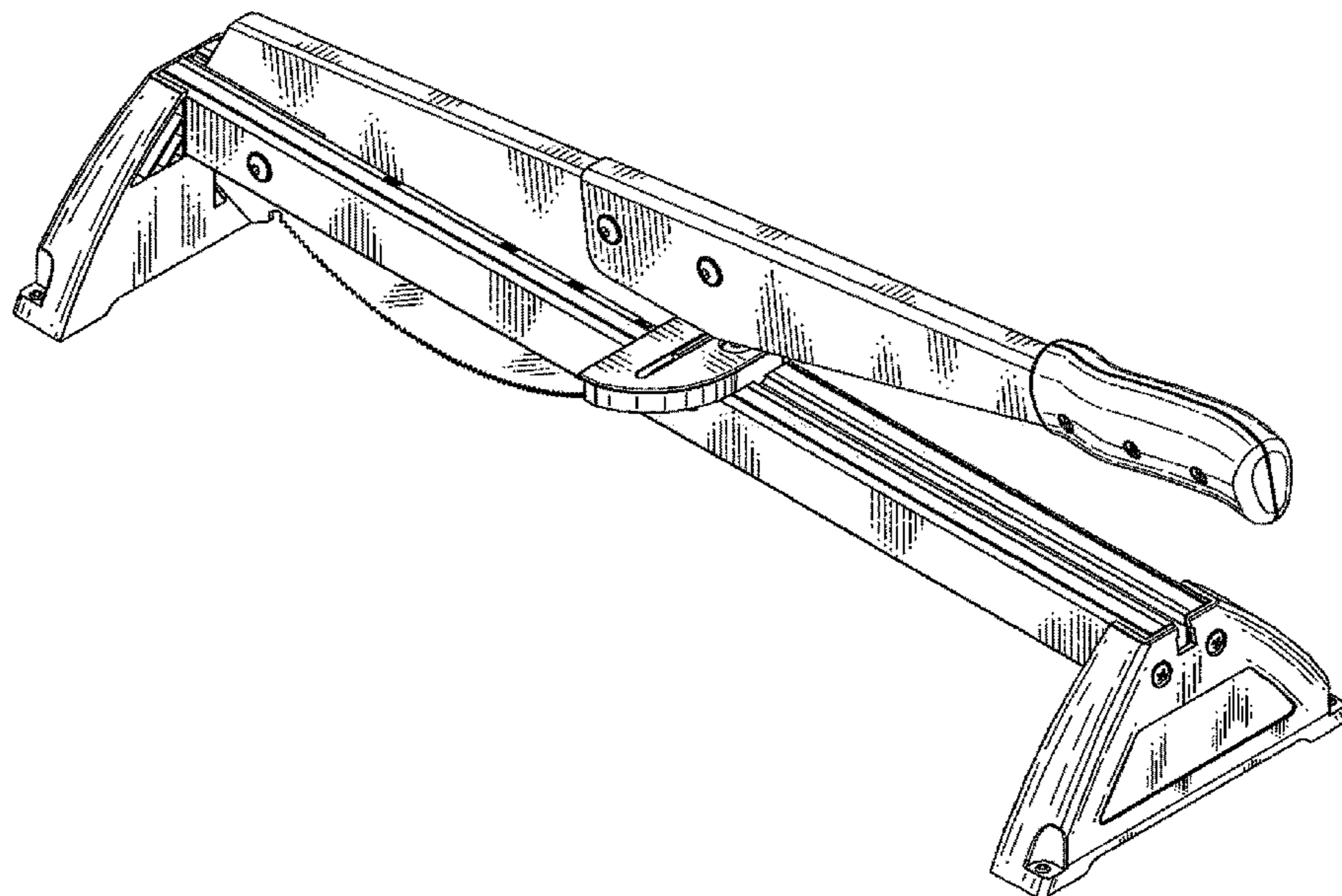
(57) **CLAIM**

The ornamental design for a laminate cutter, as shown and described.

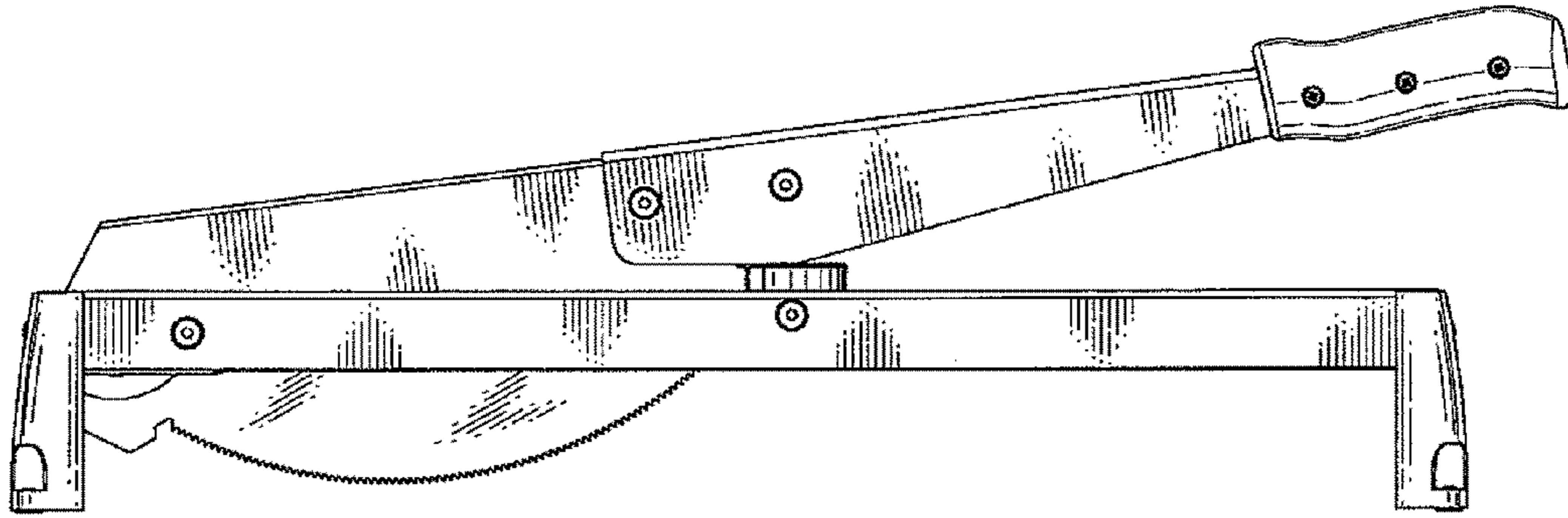
**DESCRIPTION**

FIG. 1 is a right side view of a laminate cutter showing my new design;  
FIG. 2 is a front view thereof;  
FIG. 3 is a back view thereof;  
FIG. 4 is a left side view thereof;  
FIG. 5 is a top view thereof;  
FIG. 6 is a bottom view thereof; and,  
FIG. 7 is a perspective view thereof.

**1 Claim, 3 Drawing Sheets**

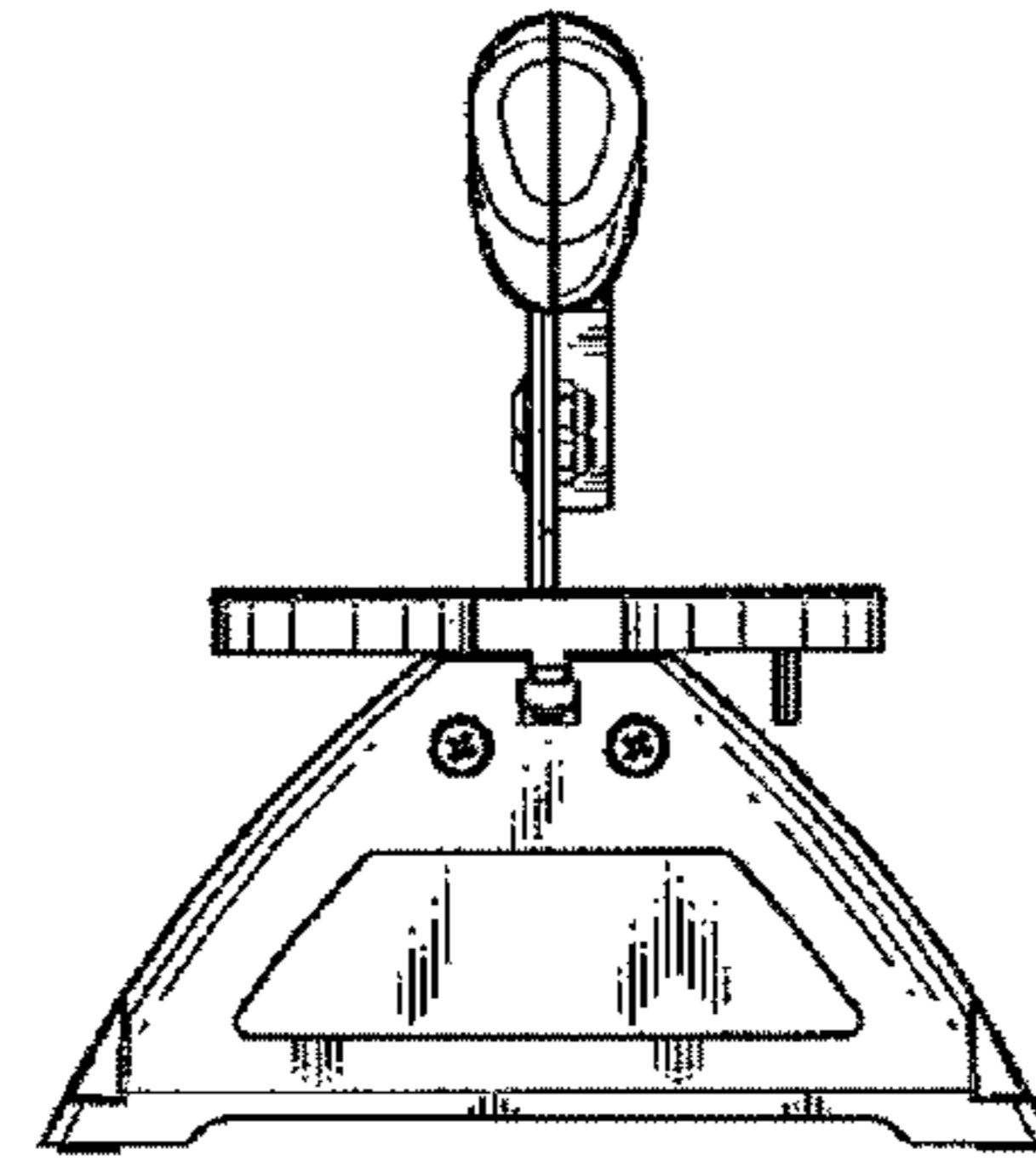
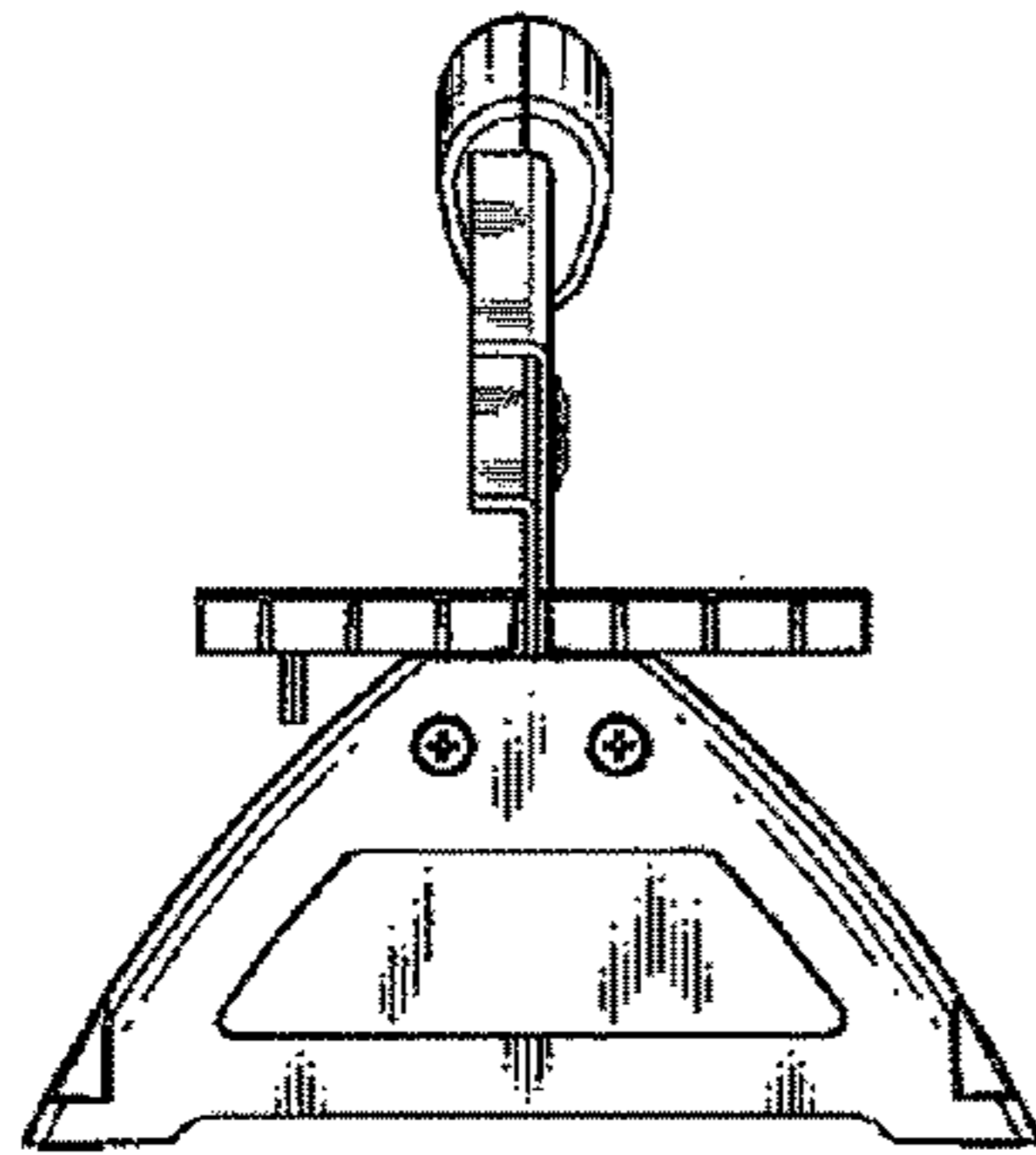


***Fig. 1***

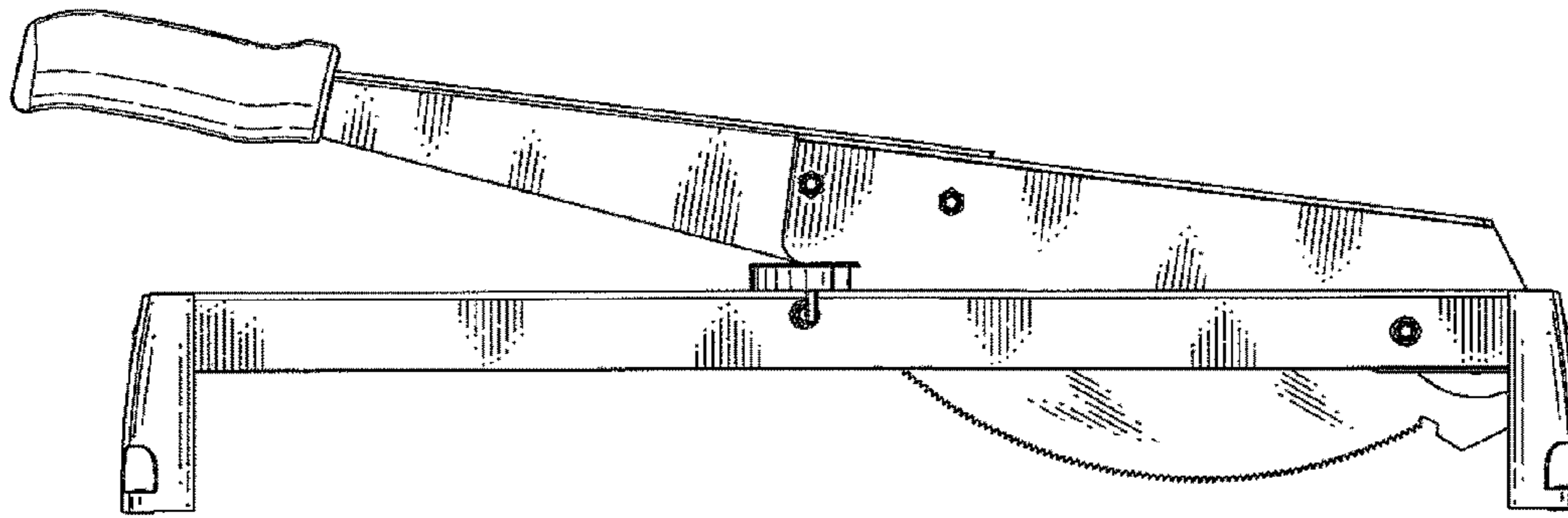


***Fig. 2***

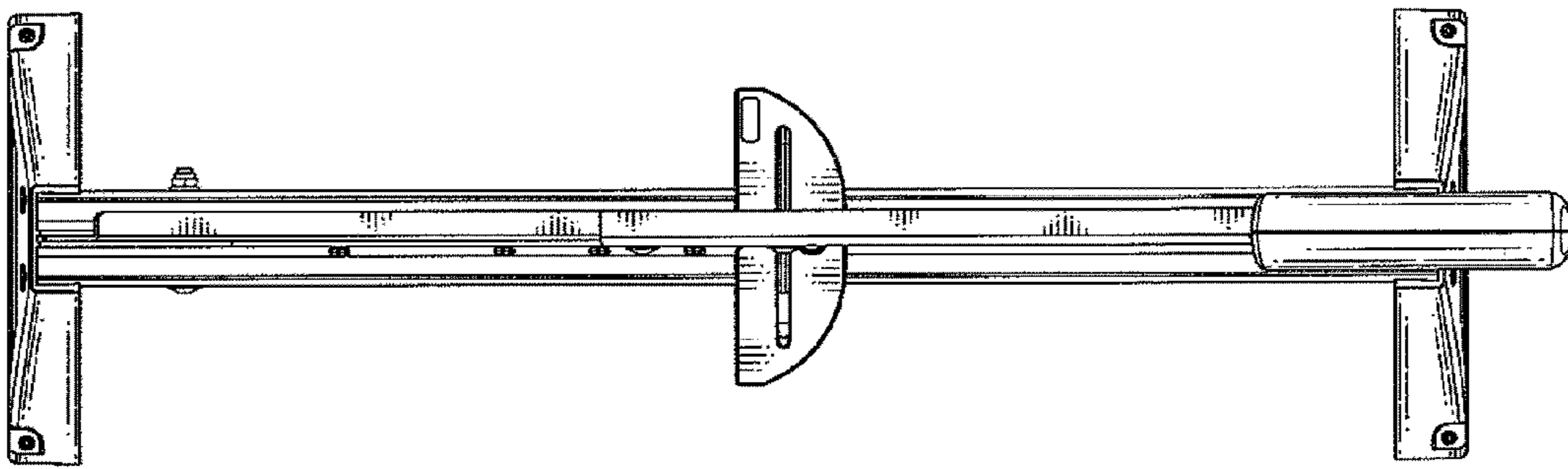
***Fig. 3***



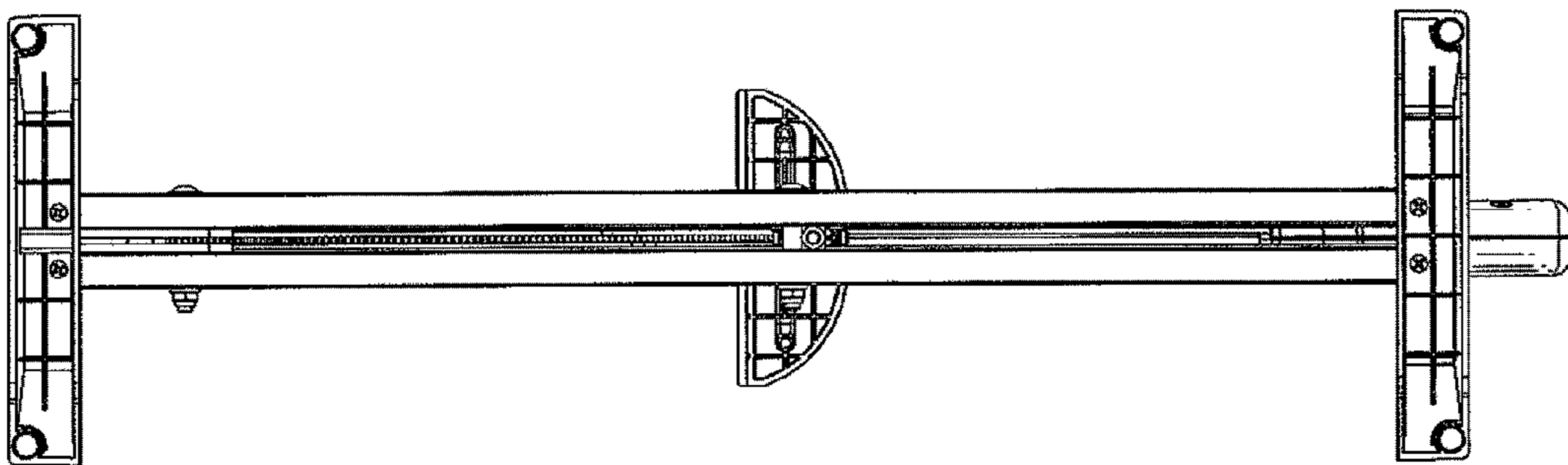
***Fig. 4***



***Fig. 5***



***Fig. 6***



***Fig. 7***

