



US00D652701S

(12) **United States Design Patent**
Cranny

(10) **Patent No.:** **US D652,701 S**
(45) **Date of Patent:** **** Jan. 24, 2012**

(54) **SECURITY STRAP**
(76) Inventor: **Jeffrey Cranny**, Canyon Lake, CA (US)
(**) Term: **14 Years**
(21) Appl. No.: **29/363,374**
(22) Filed: **Jun. 8, 2010**
(51) **LOC (9) Cl.** **08-05**
(52) **U.S. Cl.** **D8/44**
(58) **Field of Classification Search** D8/44,
D8/354, 356, 382-383; 24/68 CD; 248/508;
410/3, 11-12, 23, 100
See application file for complete search history.

2003/0097736 A1* 5/2003 Blankenship 24/302
2003/0167608 A1* 9/2003 Petzl et al. 24/600.2
2003/0201377 A1* 10/2003 Davis 248/508
2009/0119892 A1* 5/2009 Breeden et al. 24/68 CD
2009/0241307 A1* 10/2009 Ayers et al. 24/68 CD
* cited by examiner

Primary Examiner — Philip S Hyder
Assistant Examiner — Roselynnne Cody
(74) *Attorney, Agent, or Firm* — QuickPatents, Inc.; Kevin Prince

(57) **CLAIM**
What is claimed is the ornamental design for a security strap,
as shown and described.

(56) **References Cited**
U.S. PATENT DOCUMENTS
1,886,726 A * 11/1932 Pennefather 24/600.4
5,423,644 A * 6/1995 First, Sr. 410/100
D377,155 S * 1/1997 Takimoto D11/216
5,608,953 A * 3/1997 Petzl et al. 24/588.1
D414,401 S * 9/1999 Aganian D8/383
D440,144 S * 4/2001 Todd D8/354
6,227,015 B1* 5/2001 Luquire 70/18
6,415,634 B2* 7/2002 Luquire 70/18
6,588,076 B1* 7/2003 Choate 24/600.2
6,705,811 B1* 3/2004 Selby 410/3
7,320,159 B2* 1/2008 Petzl et al. 24/599.5
7,540,074 B2* 6/2009 Thompson 24/600.2

DESCRIPTION

FIG. 1 is a perspective view of a security strap, showing the new design;
FIG. 2 is an enlarged left-side elevational view thereof;
FIG. 3 is an enlarged right-side elevational view thereof;
FIG. 4 is a front elevational view thereof;
FIG. 5 is a rear elevational view thereof;
FIG. 6 is a top plan view thereof; and,
FIG. 7 is a bottom plan view thereof.
The broken lines in FIG. 5 indicate stitching that forms part of the claimed design.

1 Claim, 4 Drawing Sheets



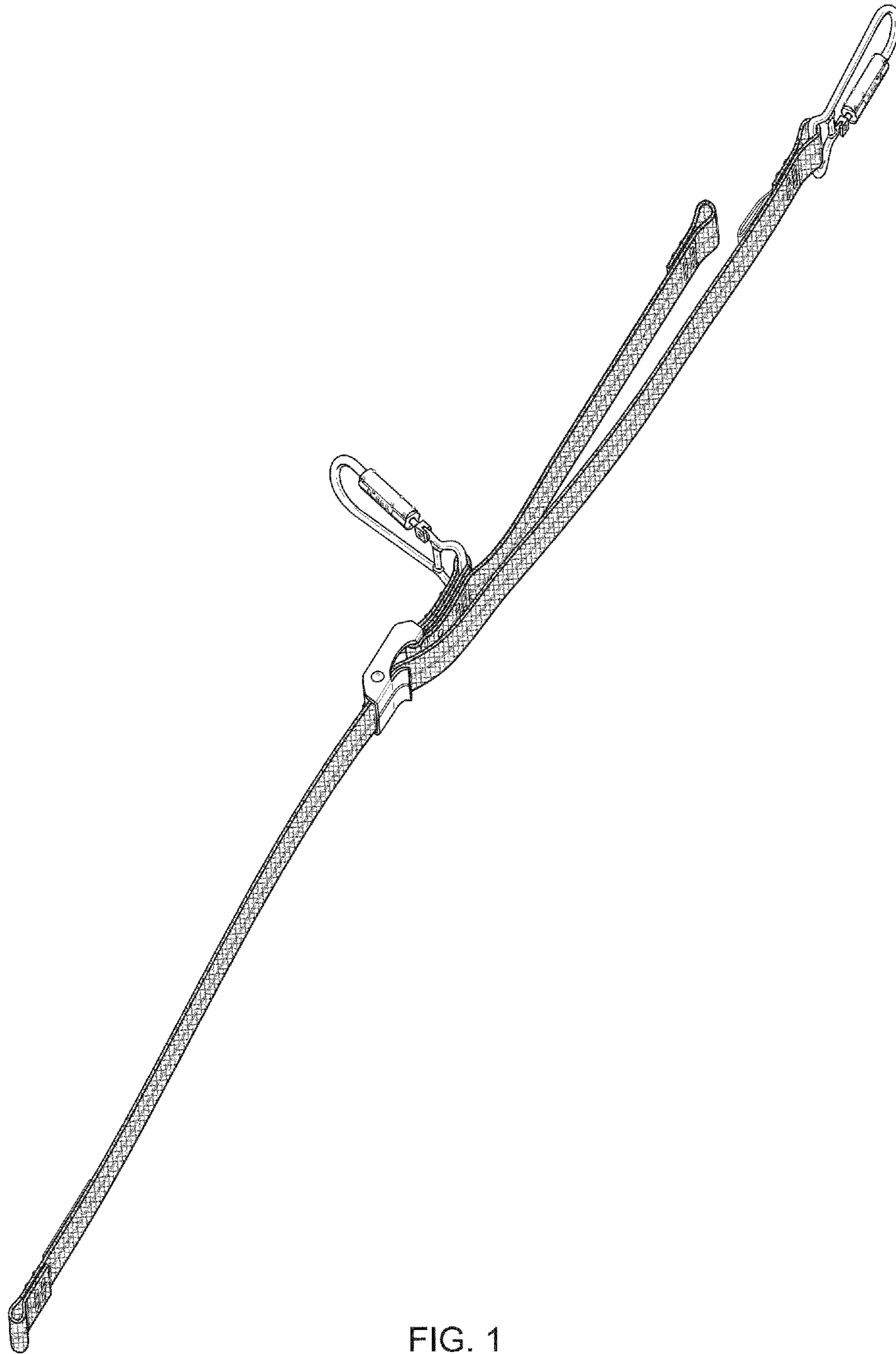


FIG. 1

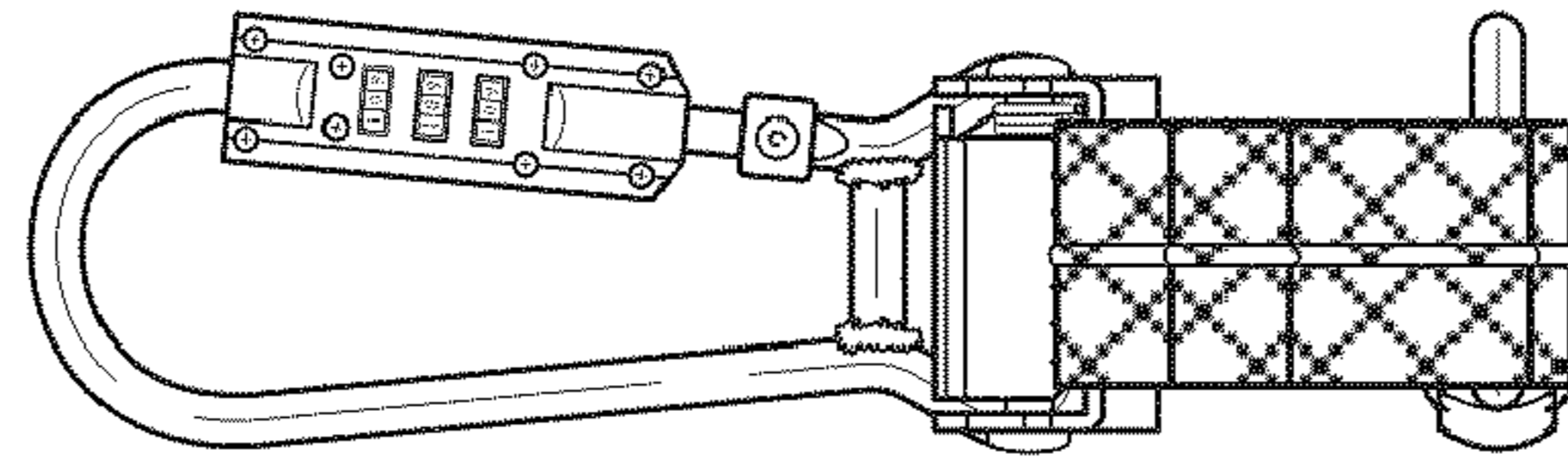


FIG. 2

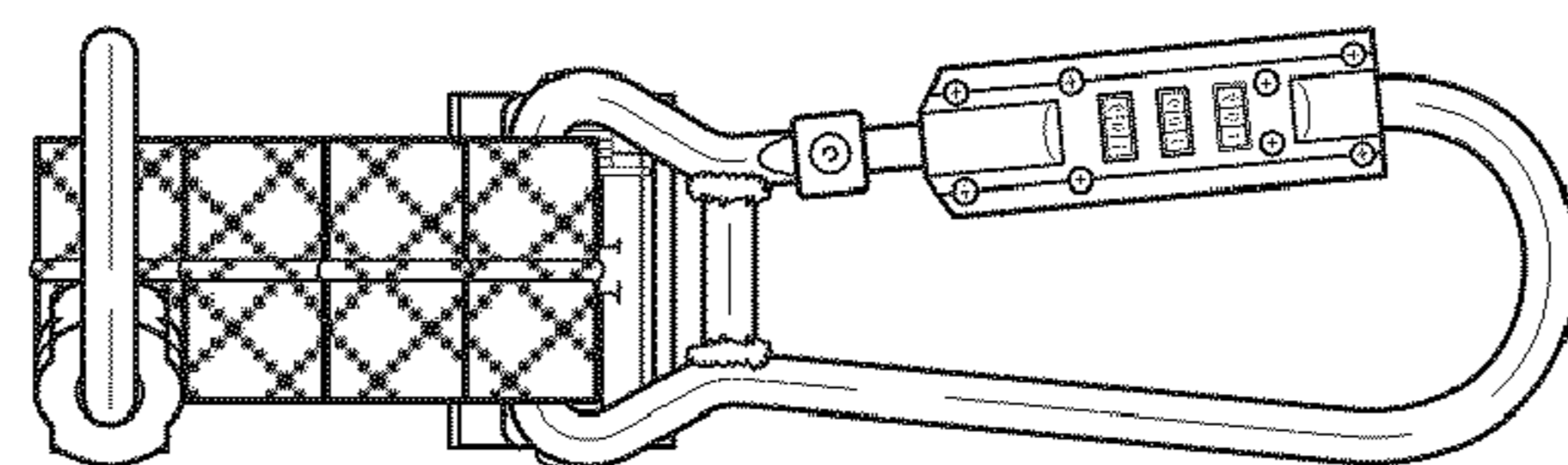


FIG. 3

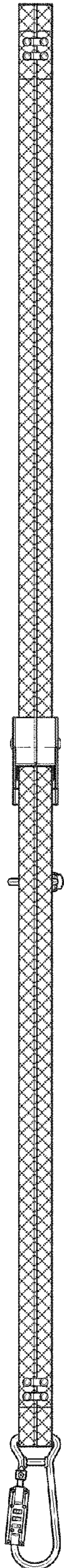


FIG. 4

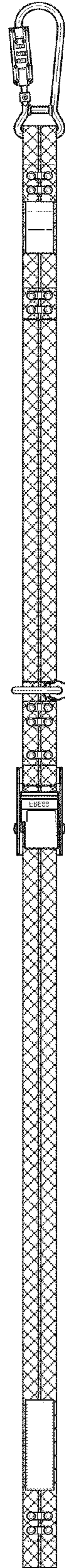


FIG. 5

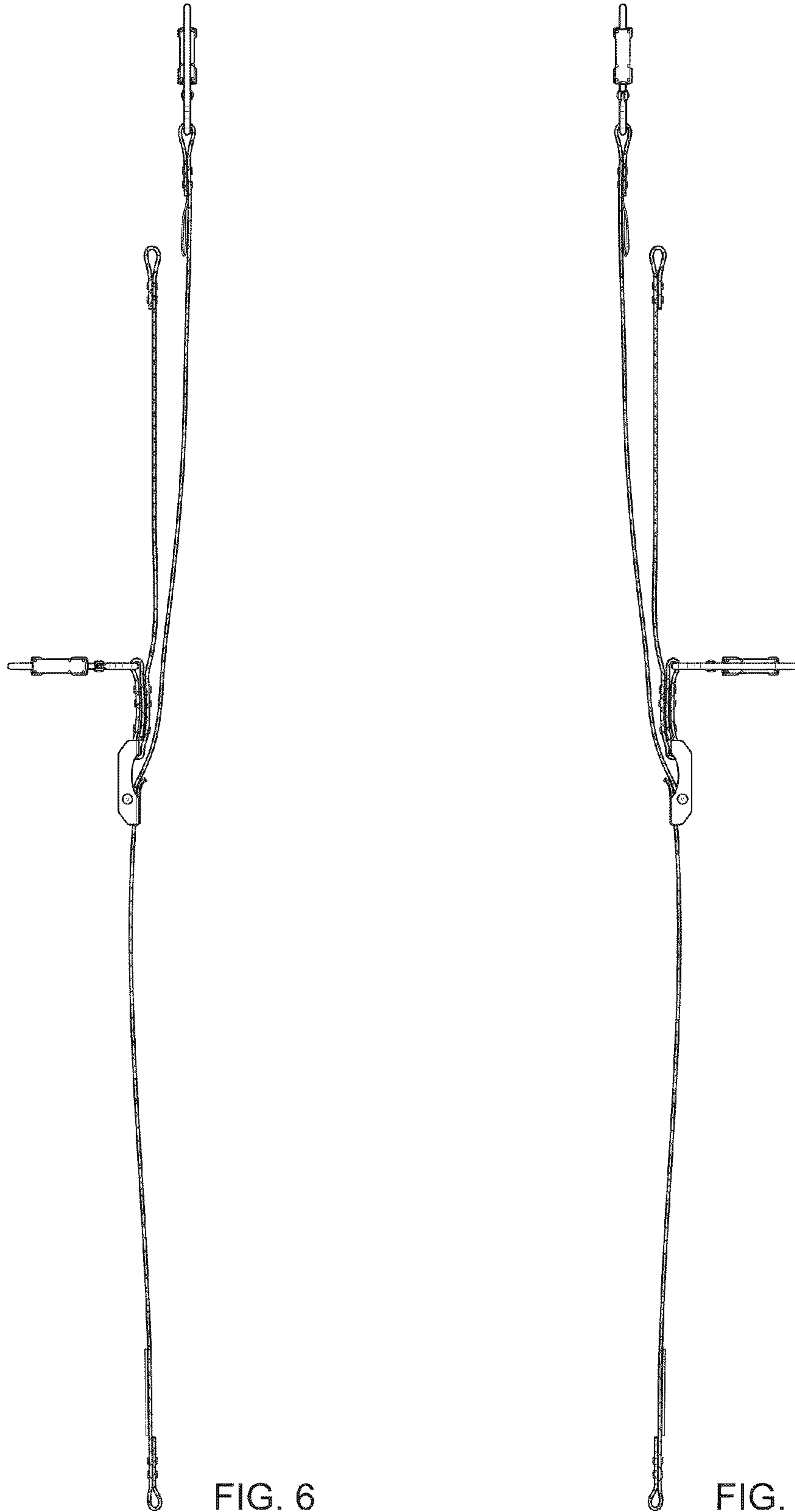


FIG. 6

FIG. 7