



US00D652700S

(12) **United States Design Patent**  
**Flechel et al.**

(10) **Patent No.:** **US D652,700 S**  
(45) **Date of Patent:** **\*\* Jan. 24, 2012**

(54) **PINE NEEDLE AND PINE CONE RAKE**  
(76) Inventors: **Kevin Flechel**, Spokane, WA (US);  
**Andrew J. Castoldi**, Spokane, WA (US)

(\*\*) **Term:** **14 Years**

(21) **Appl. No.:** **29/373,545**

(22) **Filed:** **Apr. 25, 2011**

(51) **LOC (9) Cl.** ..... **08-01**

(52) **U.S. Cl.** ..... **D8/13**

(58) **Field of Classification Search** ..... D8/6, 13;  
56/400.12-400.15, 400.01; 119/801, 795;  
294/55.5, 49

See application file for complete search history.

(56) **References Cited**

**U.S. PATENT DOCUMENTS**

D312,030	S	*	11/1990	Brignull	.....	D8/13
D391,133	S	*	2/1998	Lee	.....	D8/13
D407,956	S	*	4/1999	Withem et al.	.....	D8/13
D427,495	S	*	7/2000	Lee, Jr.	.....	D8/13
D448,259	S	*	9/2001	Janke	.....	D8/13
D507,944	S	*	8/2005	Crews	.....	D8/13
7,222,900	B1	*	5/2007	Berto	.....	294/55.5

D562,650	S	*	2/2008	Thornton	.....	D8/13
D565,367	S	*	4/2008	Buscher	.....	D8/13
D568,698	S	*	5/2008	Buscher	.....	D8/13
D584,583	S	*	1/2009	Burks	.....	D8/13
D596,907	S	*	7/2009	Przygoda	.....	D8/13

\* cited by examiner

*Primary Examiner* — Cynthia M Chin

*Assistant Examiner* — Sheryl Lane

(74) *Attorney, Agent, or Firm* — Lukins & Annis, PS

(57) **CLAIM**

We claim the ornamental design for a pine needle and pine cone rake, as shown and described.

**DESCRIPTION**

FIG. 1 is an isometric view of a pine needle and pine cone rake showing our design;

FIG. 2 is a right side view thereof. The left side view is a mirror image thereof;

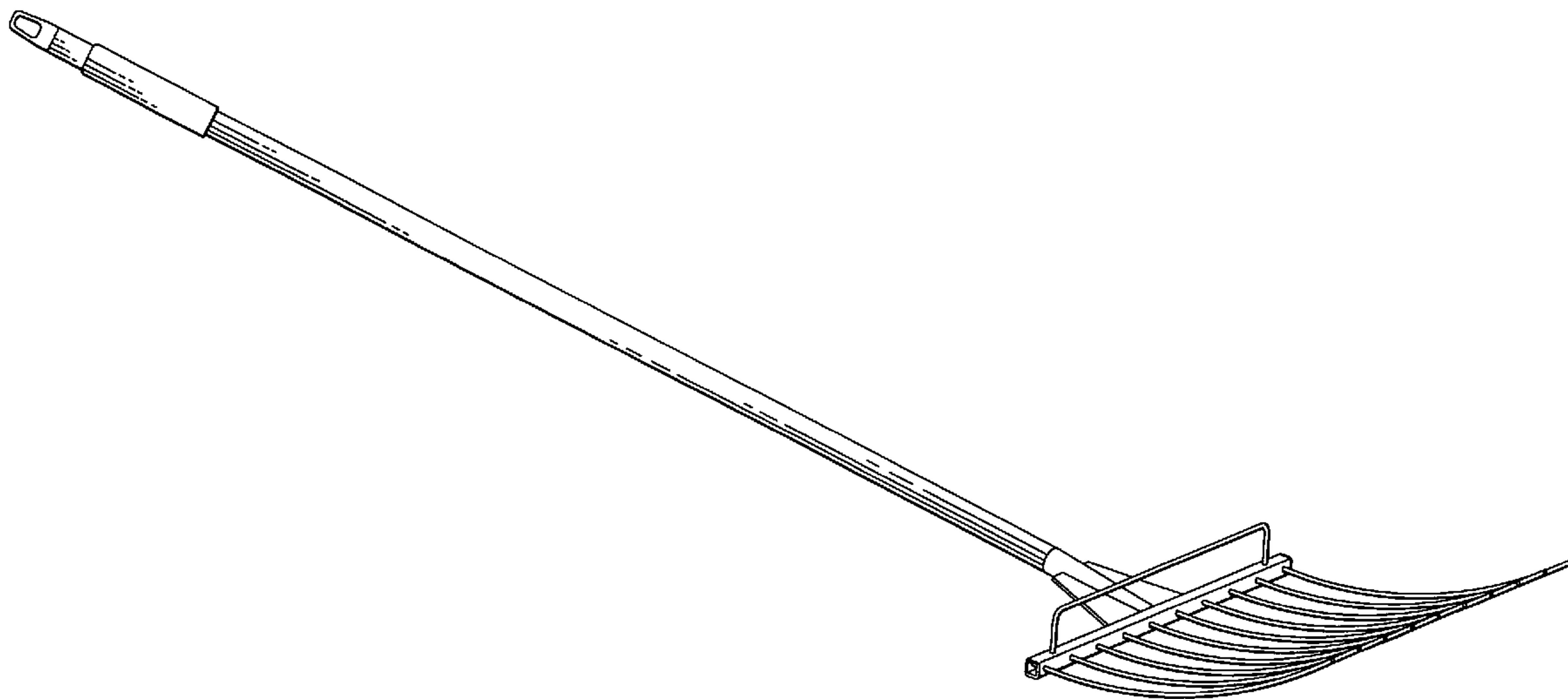
FIG. 3 is a front view thereof;

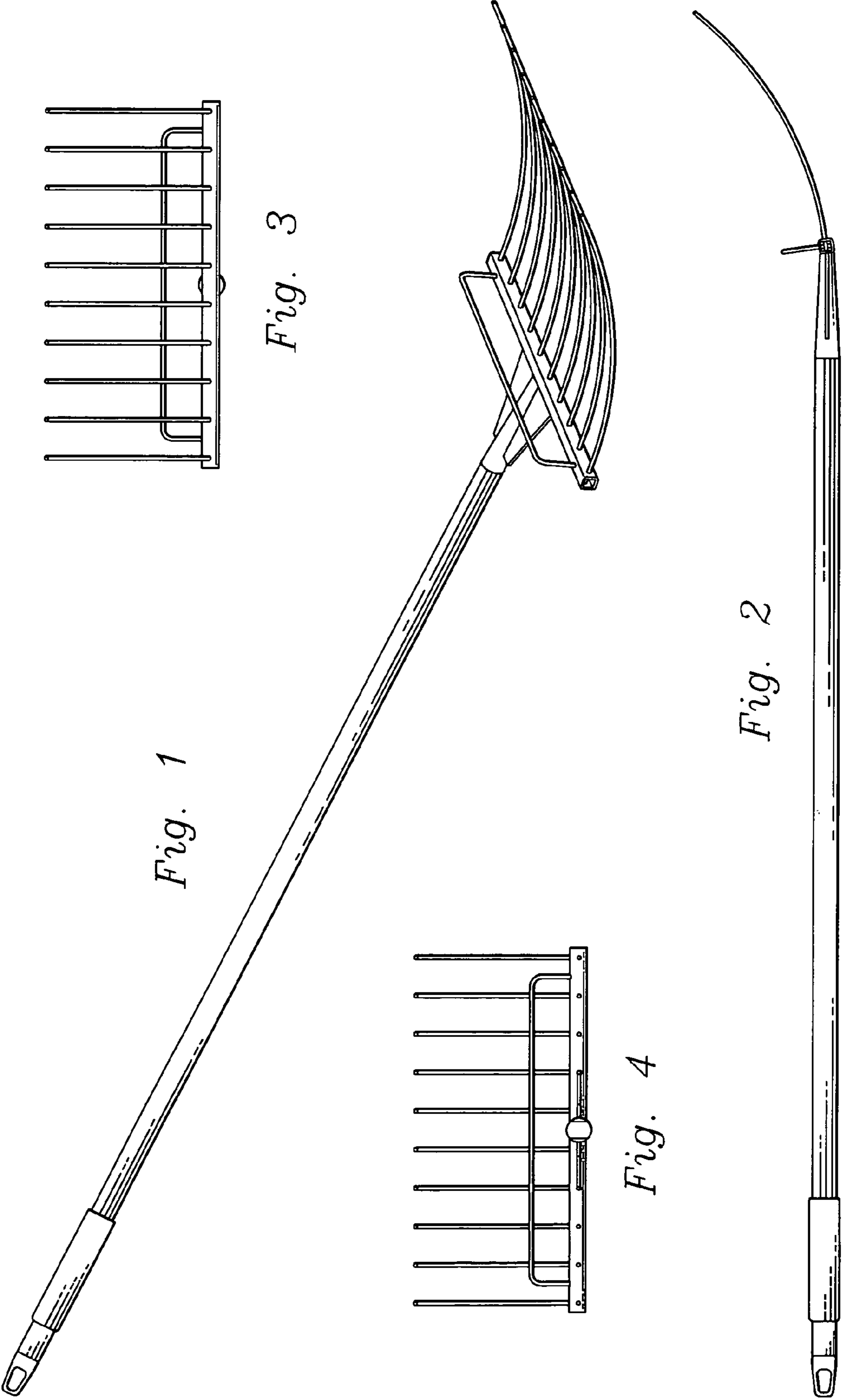
FIG. 4 is rear view thereof;

FIG. 5 is an top view thereof; and,

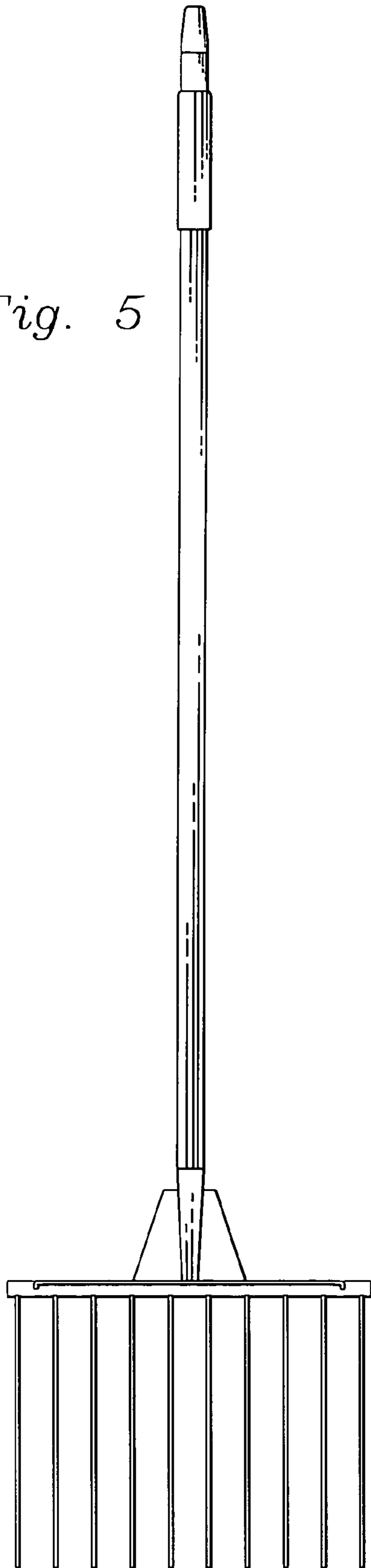
FIG. 6 is bottom view thereof.

**1 Claim, 2 Drawing Sheets**





*Fig. 5*



*Fig. 6*

