



US00D652696S

(12) **United States Design Patent**
Lee et al.

(10) **Patent No.:** **US D652,696 S**
(45) **Date of Patent:** **** Jan. 24, 2012**

(54) **CUTTING BOARD**

(75) Inventors: **Stuart Harvey Lee**, Forest Hills, NY
(US); **Jochen Schaeppers**, New York, NY
(US)

(73) Assignee: **Robinson Home Products Inc.**, Buffalo,
NY (US)

(**) Term: **14 Years**

(21) Appl. No.: **29/397,728**

(22) Filed: **Jul. 20, 2011**

(51) **LOC (9) Cl.** **07-04**

(52) **U.S. Cl.** **D7/698**

(58) **Field of Classification Search** D7/354,
D7/359-360, 368, 392.1, 396.1, 409, 412,
D7/505, 546, 549, 550.1, 552.1-552.2, 553.1,
D7/553.5, 553.8, 554.3-554.4, 555, 586,
D7/637, 667, 673, 698-699; 99/324, 357,
99/449-450; 141/98; 269/13, 15-16, 289 R,
269/302.1, 575

See application file for complete search history.

(56) **References Cited**

U.S. PATENT DOCUMENTS

D259,166 S * 5/1981 Krusche D7/549
5,499,666 A * 3/1996 Foster et al. 141/98

D372,176 S * 7/1996 Meisner D7/698
D381,564 S * 7/1997 Kolada D7/698
D390,072 S * 2/1998 Miller D7/698
D557,085 S * 12/2007 Shmoon D7/698
D558,541 S * 1/2008 Shmoon D7/698
D563,739 S * 3/2008 Shmoon D7/698
D573,419 S * 7/2008 Kaposi D7/698
7,422,201 B2 * 9/2008 Pearl et al. 269/289 R
D584,117 S * 1/2009 Curtin D7/698
D638,265 S * 5/2011 Shmoon D7/698
2003/0218290 A1 * 11/2003 Goldberg et al. 269/289 R

* cited by examiner

Primary Examiner — Ricky Pham

(74) *Attorney, Agent, or Firm* — Brian B. Shaw, Esq.;
Stephen B. Sala, Esq.; Harter Secrest & Emery LLP

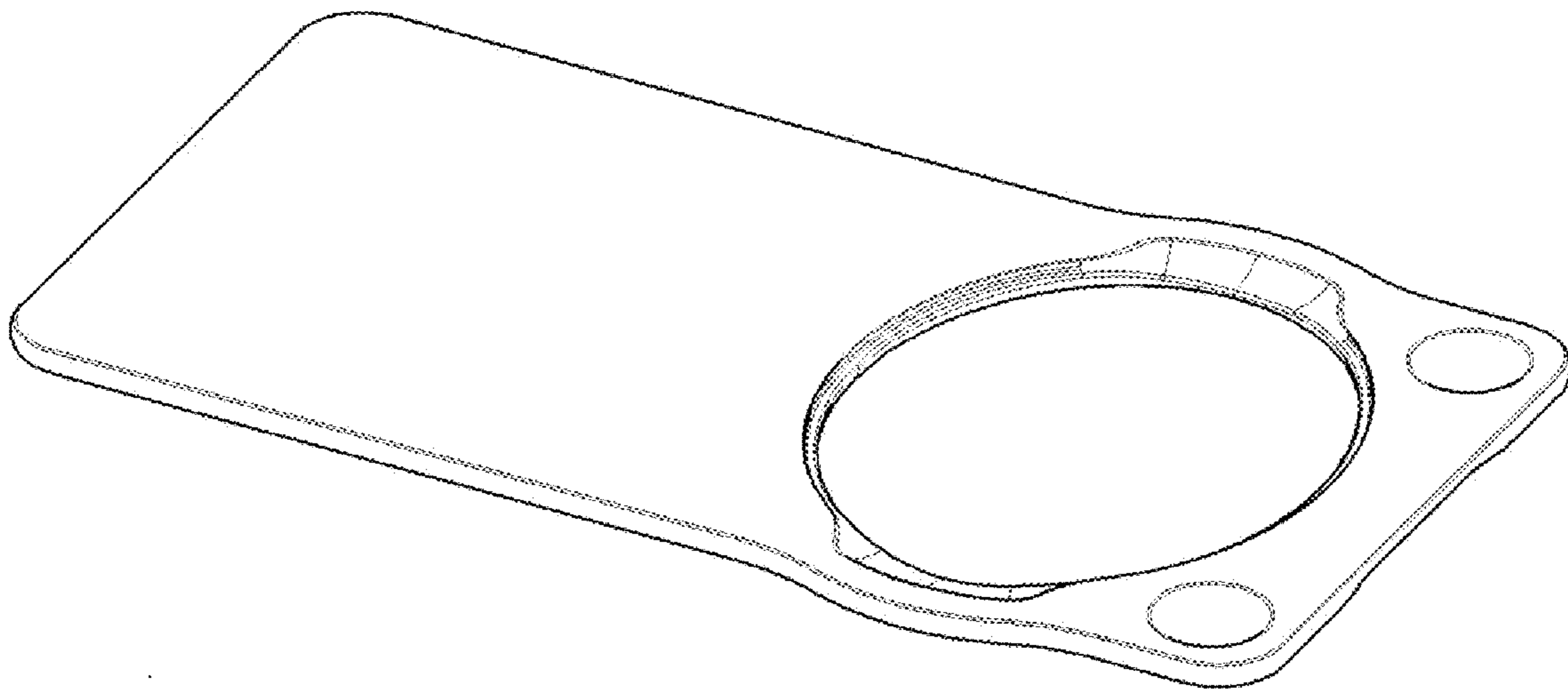
(57) **CLAIM**

The ornamental design for a cutting board, as shown and
described.

DESCRIPTION

FIG. 1 is a perspective view of a cutting board.
FIG. 2 is a top plan view of the cutting board of FIG. 1.
FIG. 3 is a front elevation view of the cutting board of FIG. 1.
FIG. 4 is a left elevation view of the cutting board of FIG. 1.
FIG. 5 is a rear elevation view of cutting board of FIG. 1.
FIG. 6 is a right elevation view of the cutting board of FIG. 1;
and,
FIG. 7 is a bottom plan view of the cutting board of FIG. 1.

1 Claim, 2 Drawing Sheets



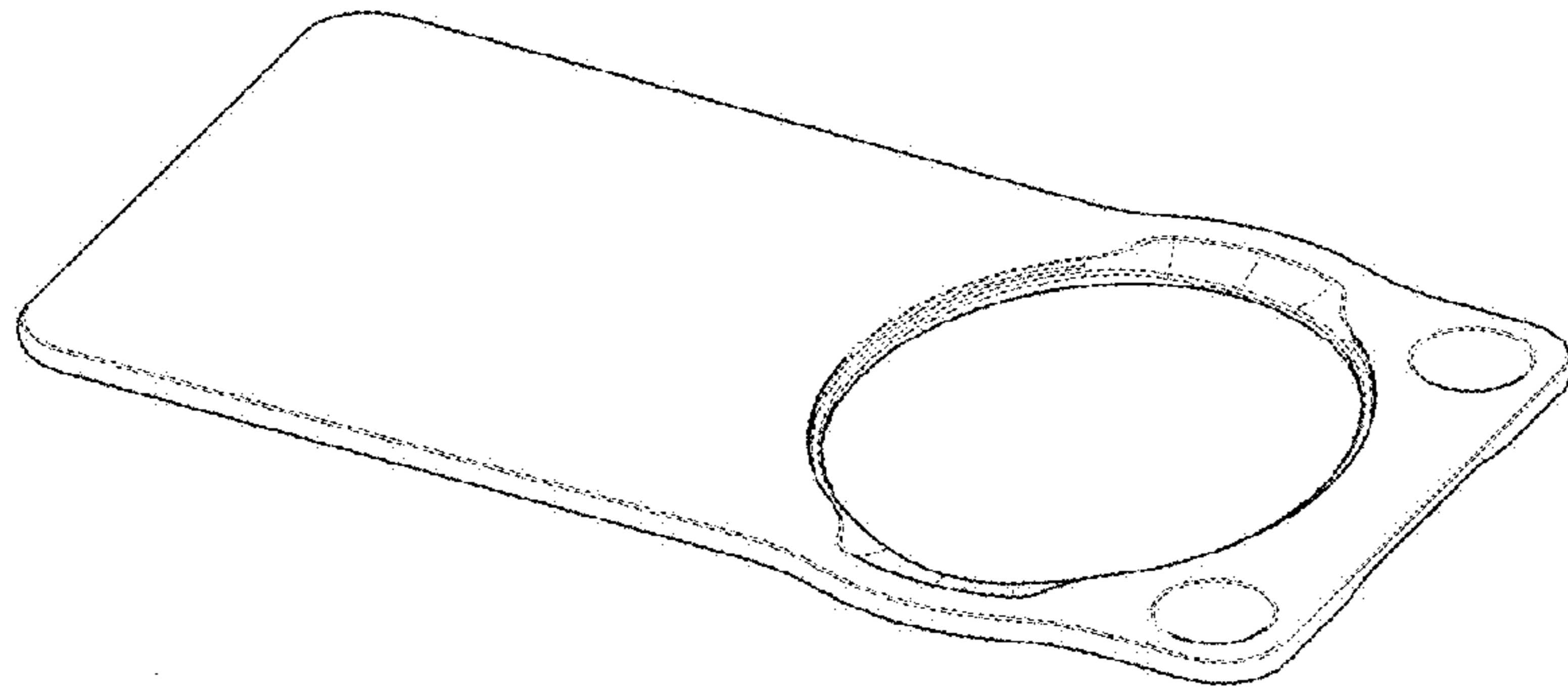


FIG. 1

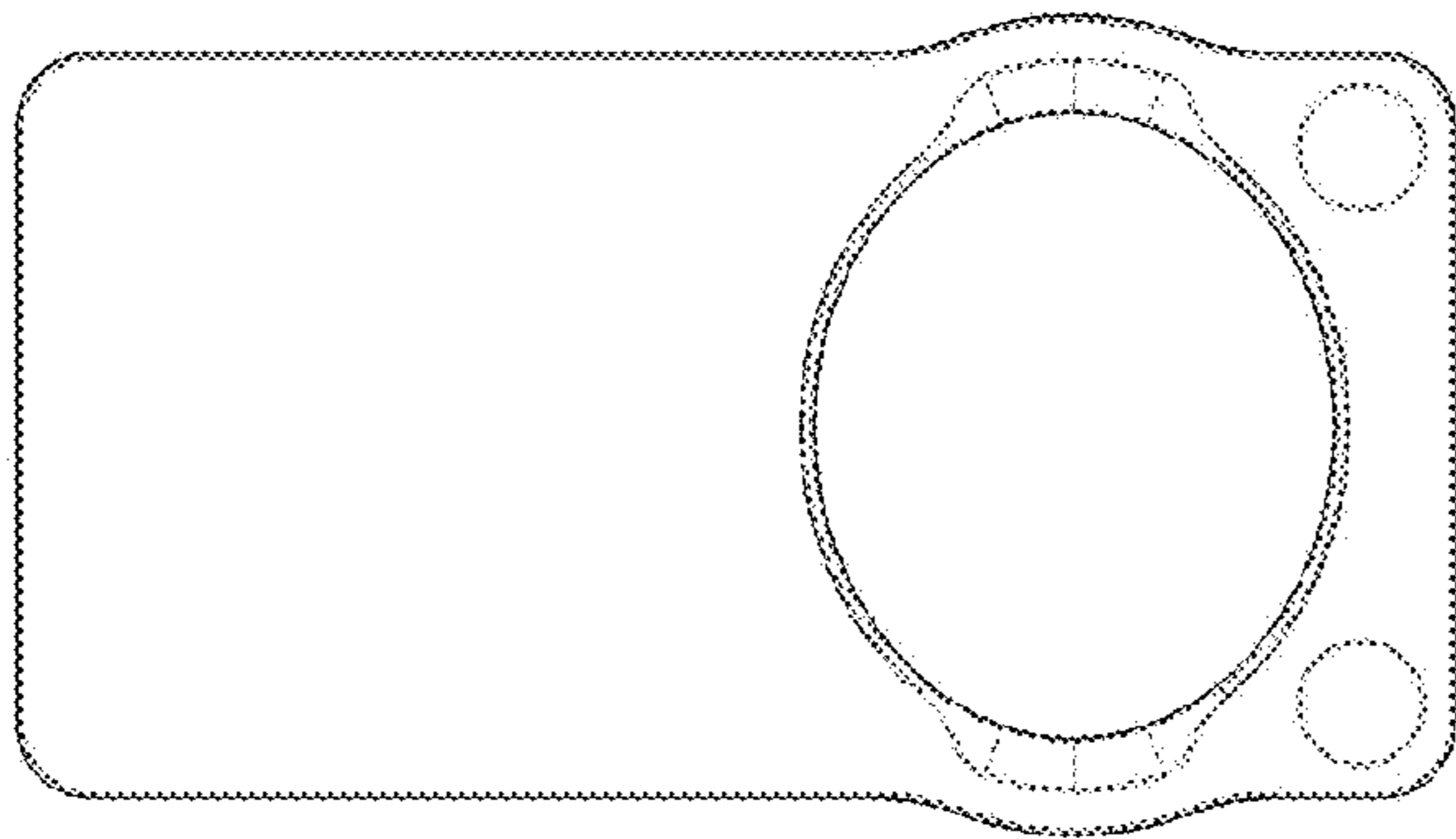


FIG. 2

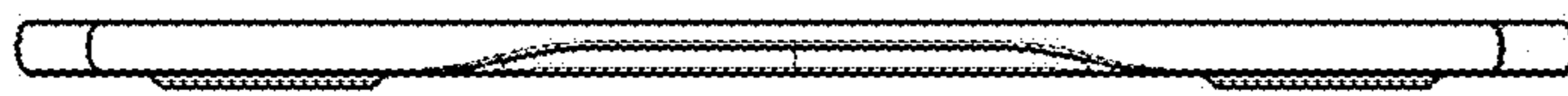


FIG. 3

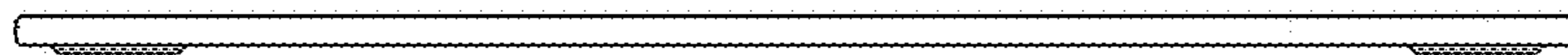


FIG. 4

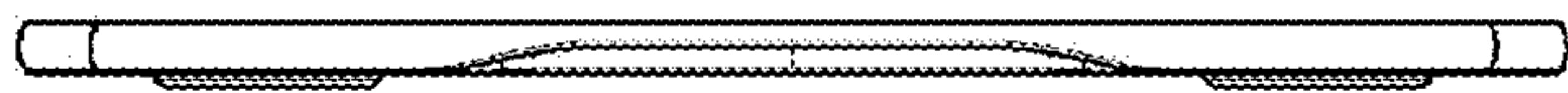


FIG. 5

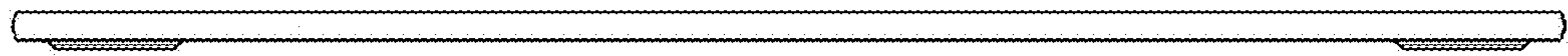


FIG. 6

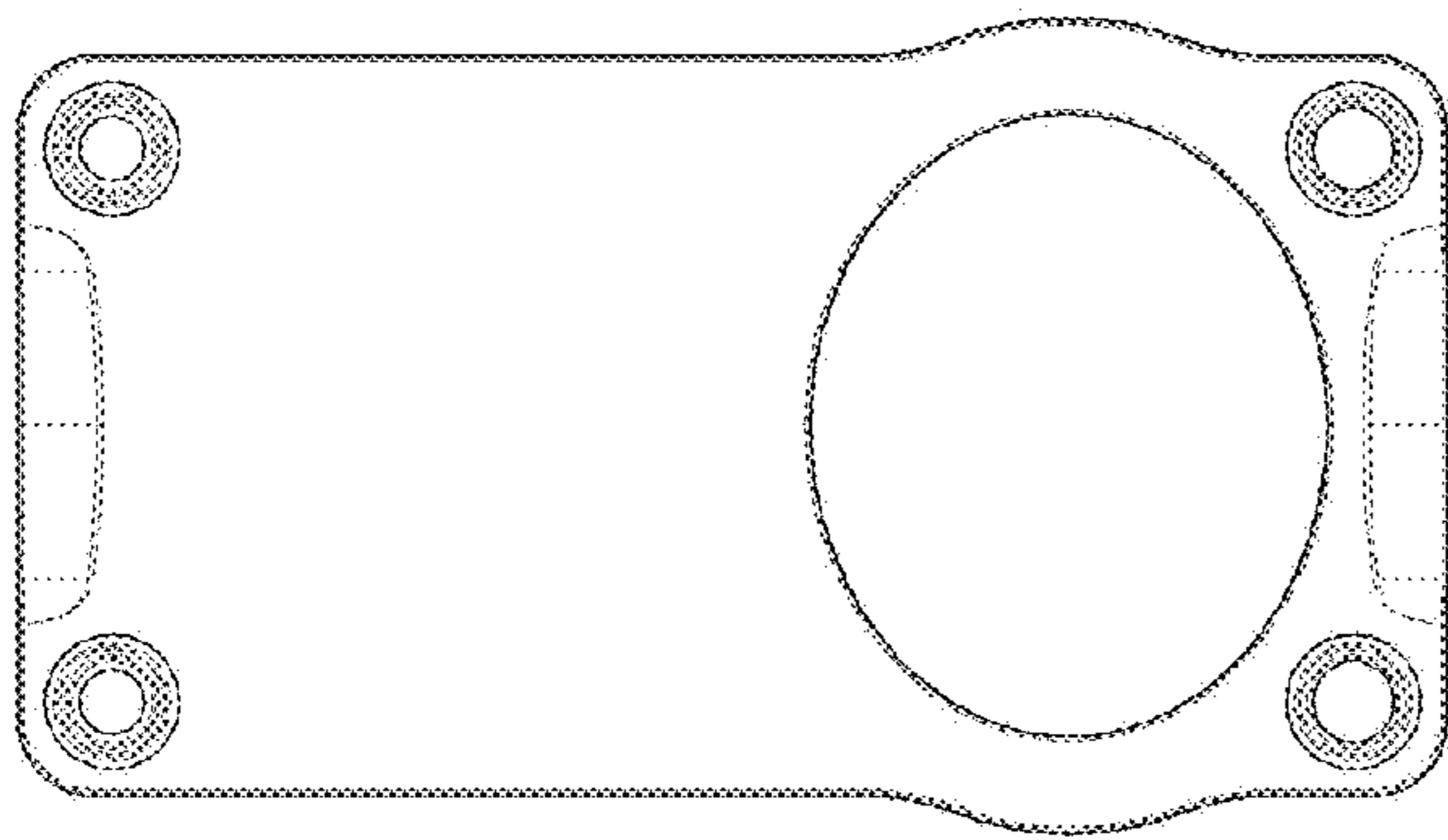


FIG. 7