



US00D652695S

(12) **United States Design Patent**
Lee et al.

(10) **Patent No.:** **US D652,695 S**
(45) **Date of Patent:** **** Jan. 24, 2012**

(54) **CUTTING BOARD WITH COLANDER**

(75) Inventors: **Stuart Harvey Lee**, Forest Hills, NY (US); **Jochen Schaepers**, New York, NY (US); **Christian von Heifner**, Brooklyn, NY (US)

(73) Assignee: **Robinson Home Products Inc.**, Buffalo, NY (US)

(**) Term: **14 Years**

(21) Appl. No.: **29/397,727**

(22) Filed: **Jul. 20, 2011**

(51) **LOC (9) Cl.** **07-04**

(52) **U.S. Cl.** **D7/698; D7/699**

(58) **Field of Classification Search** D7/354, D7/359-360, 368, 392.1, 396.1, 409, 412, D7/505, 546, 549, 550.1, 552.1-552.2, 553.1, D7/553.5, 553.8, 554.3-554.4, 555, 586, D7/637, 667, 673, 698-699; 99/324, 357, 99/449-450; 141/98; 269/13, 15-16, 289 R, 269/302.1, 575

See application file for complete search history.

(56) **References Cited**

U.S. PATENT DOCUMENTS

D254,529 S * 3/1980 Arnoff D7/667
D259,166 S * 5/1981 Krusche D7/549
D361,272 S * 8/1995 Craft et al. D7/698
5,499,666 A * 3/1996 Foster et al. 141/98
D442,037 S * 5/2001 Wong D7/698

6,478,293 B1 * 11/2002 Keener 269/289 R
D557,085 S * 12/2007 Shamoan D7/698
D558,541 S * 1/2008 Shamoan D7/698
D563,739 S * 3/2008 Shamoan D7/698
D574,200 S * 8/2008 Pearl et al. D7/698
7,422,201 B2 * 9/2008 Pearl et al. 269/289 R
D638,265 S * 5/2011 Shamoan D7/698
2003/0218290 A1 * 11/2003 Goldberg et al. 269/289 R

* cited by examiner

Primary Examiner — Ricky Pham

(74) *Attorney, Agent, or Firm* — Brian B. Shaw, Esq.; Stephen B. Salai, Esq.; Harter Secrest & Emery LLP

(57) **CLAIM**

The ornamental design for a cutting board with colander, as shown and described.

DESCRIPTION

FIG. 1 is a perspective view of a cutting board with colander. FIG. 2 is a top plan view of the cutting board with colander of FIG. 1.

FIG. 3 is a front elevation view of the cutting board with colander of FIG. 1.

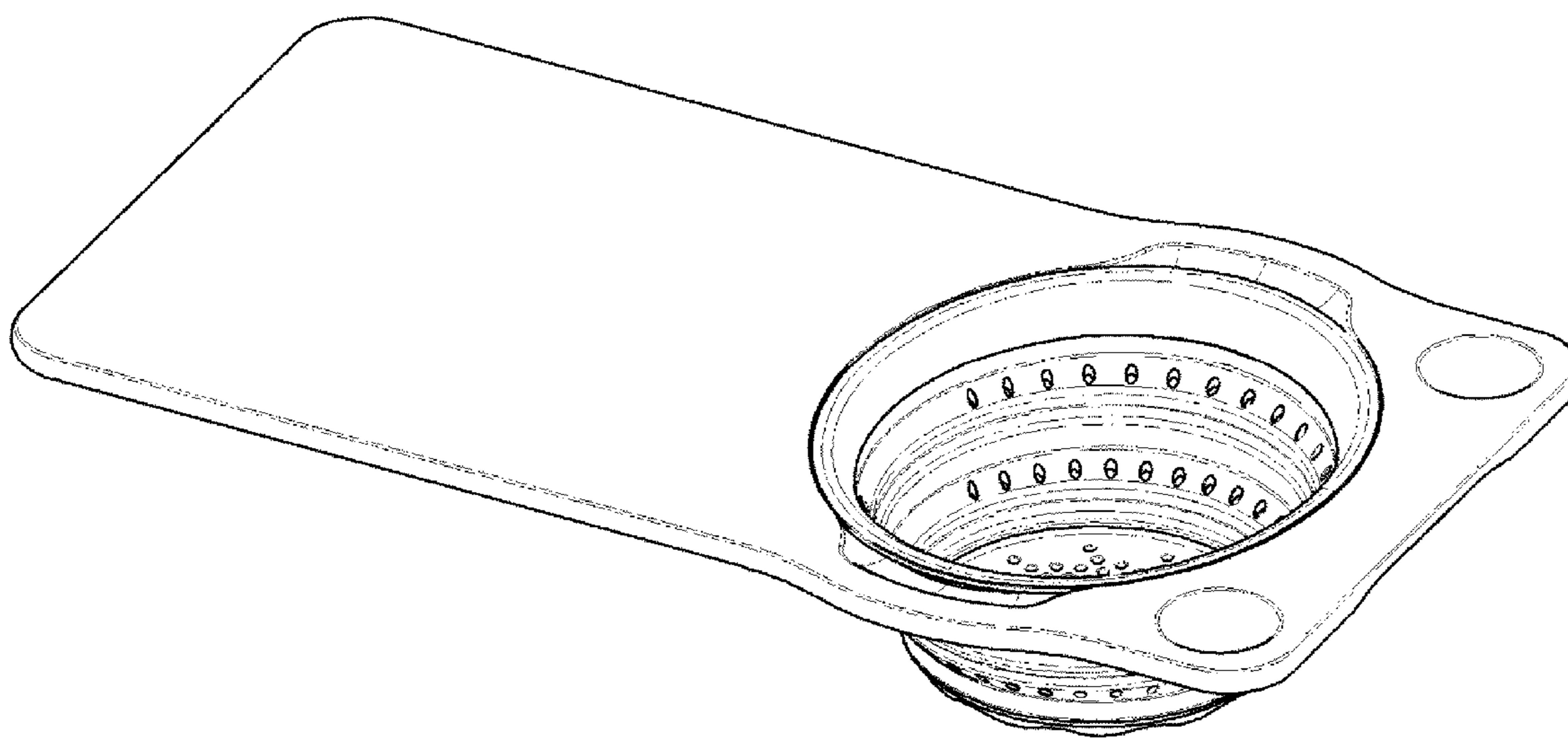
FIG. 4 is a left elevation view of the cutting board with colander of FIG. 1.

FIG. 5 is a rear elevation view of the cutting board with colander of FIG. 1.

FIG. 6 is a bottom plan view of the cutting board with colander of FIG. 1; and,

FIG. 7 is a right elevation view of the cutting board with colander of FIG. 1.

1 Claim, 2 Drawing Sheets



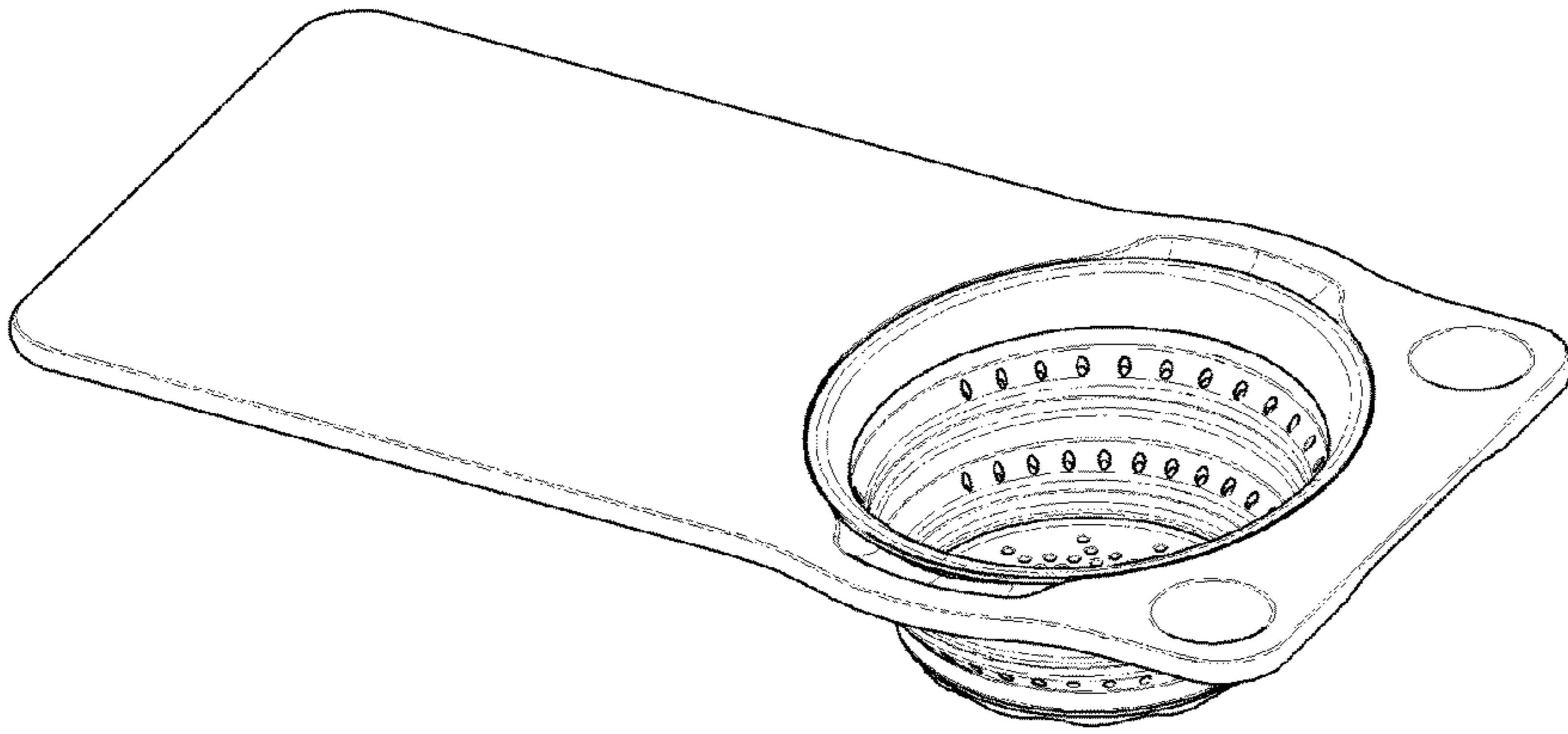


FIG. 1

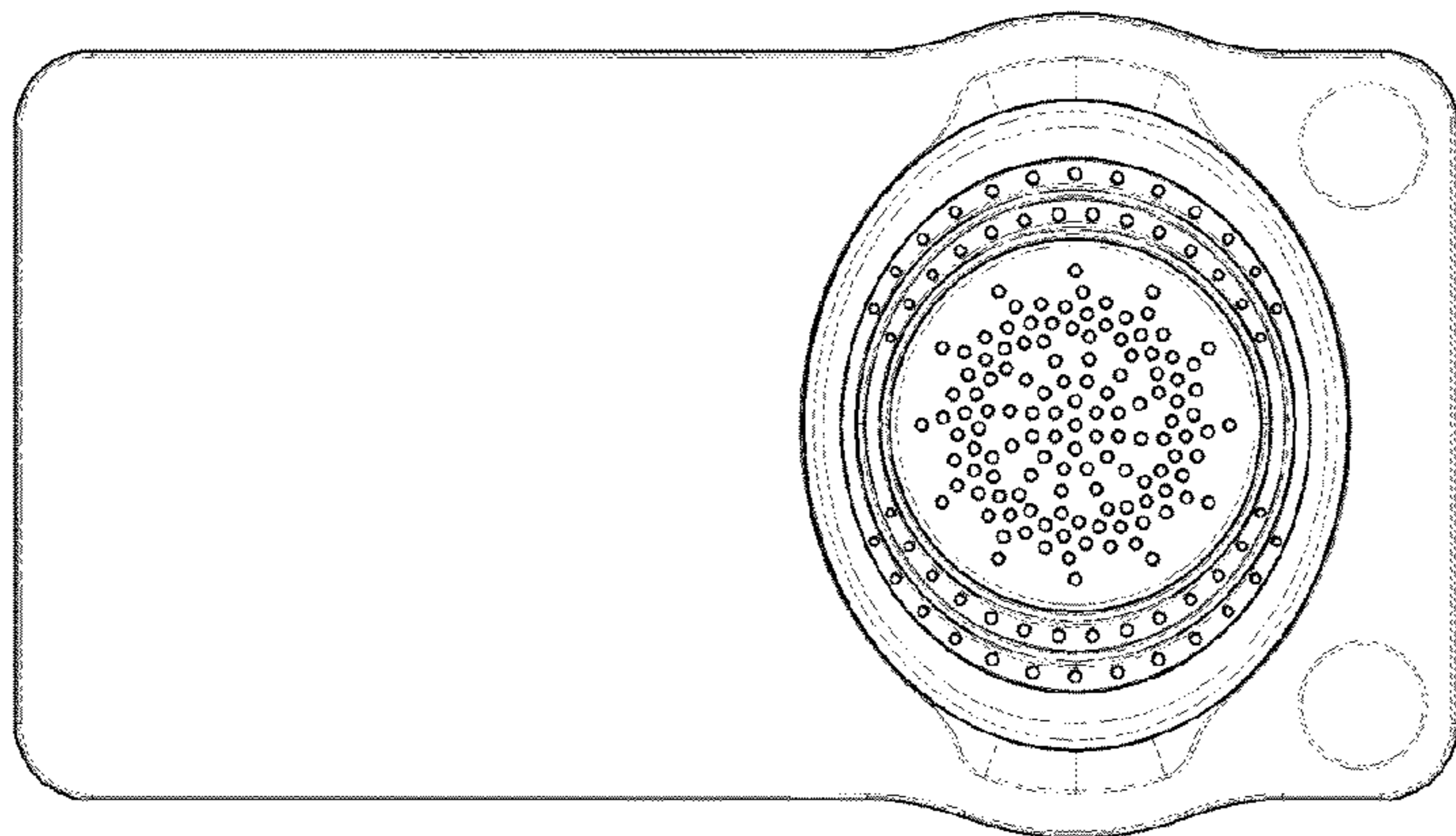


FIG. 2

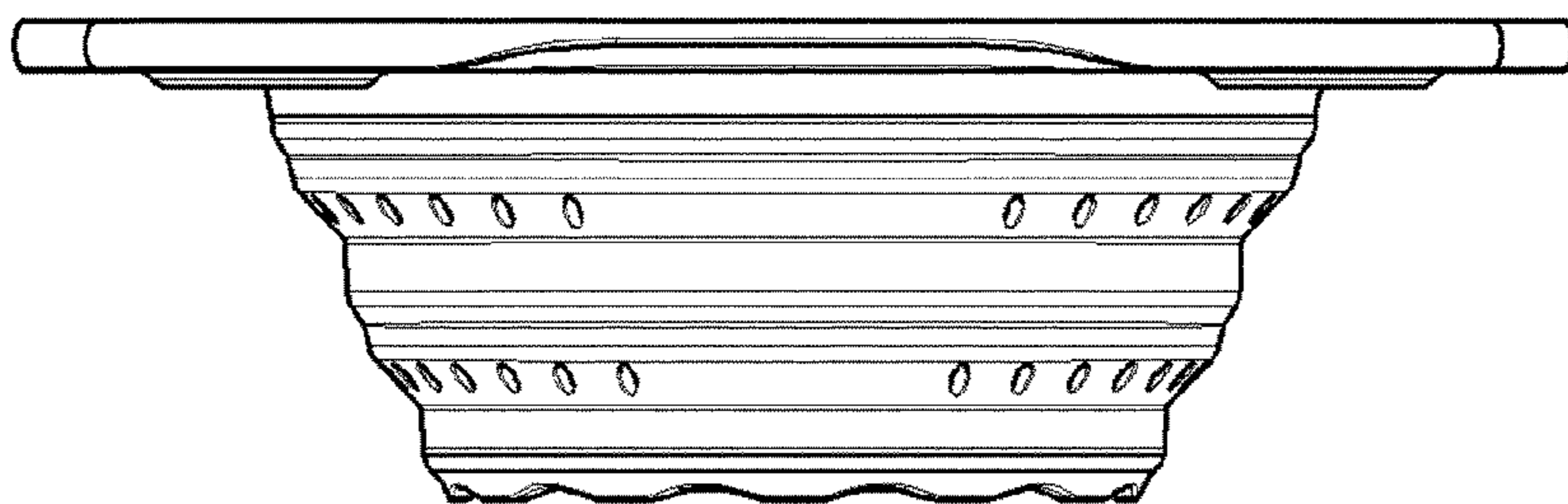


FIG. 3

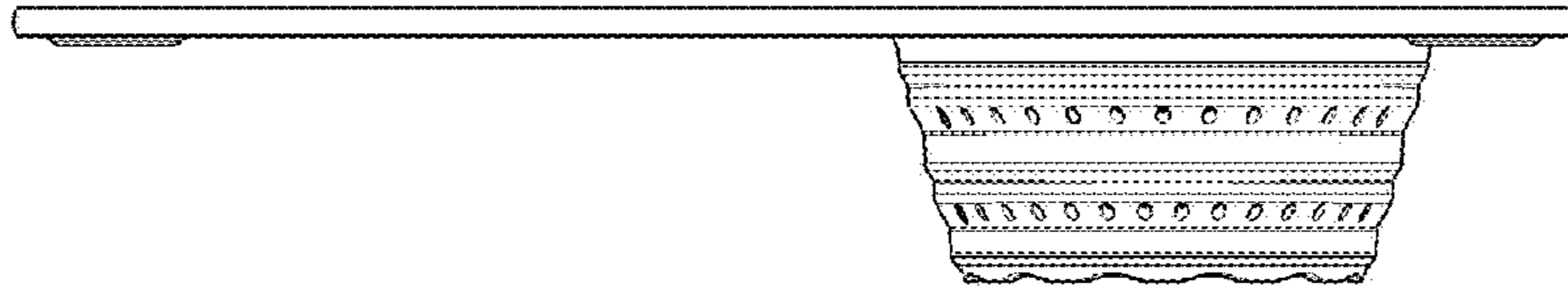


FIG. 4

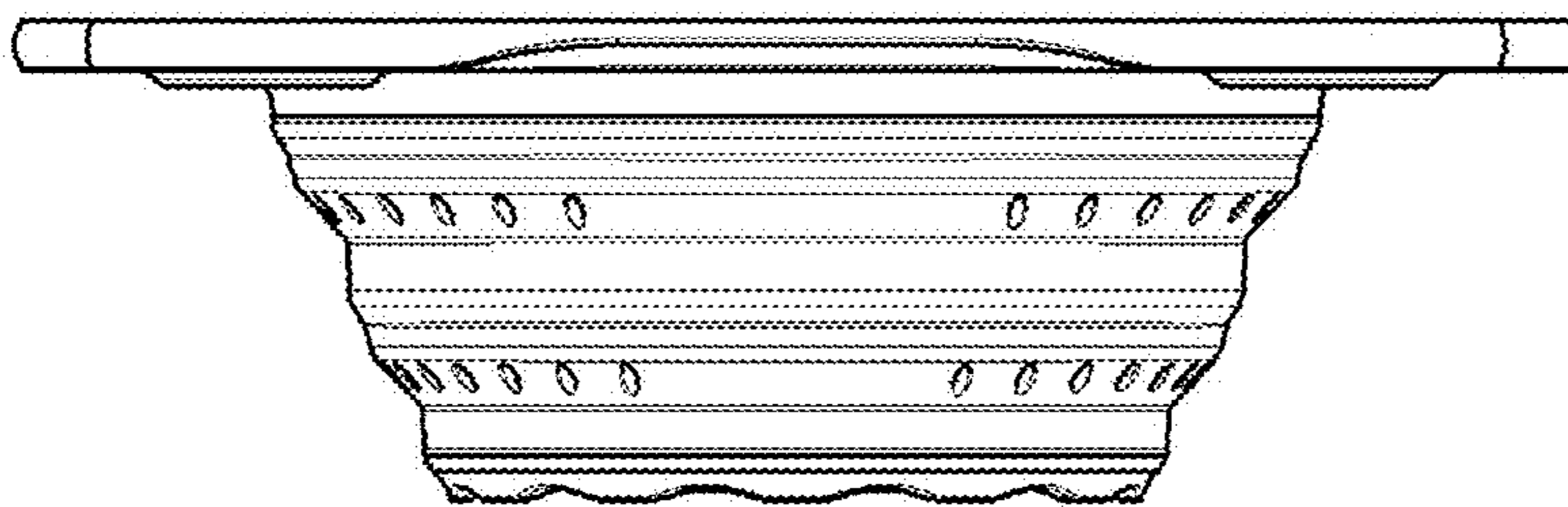


FIG. 5

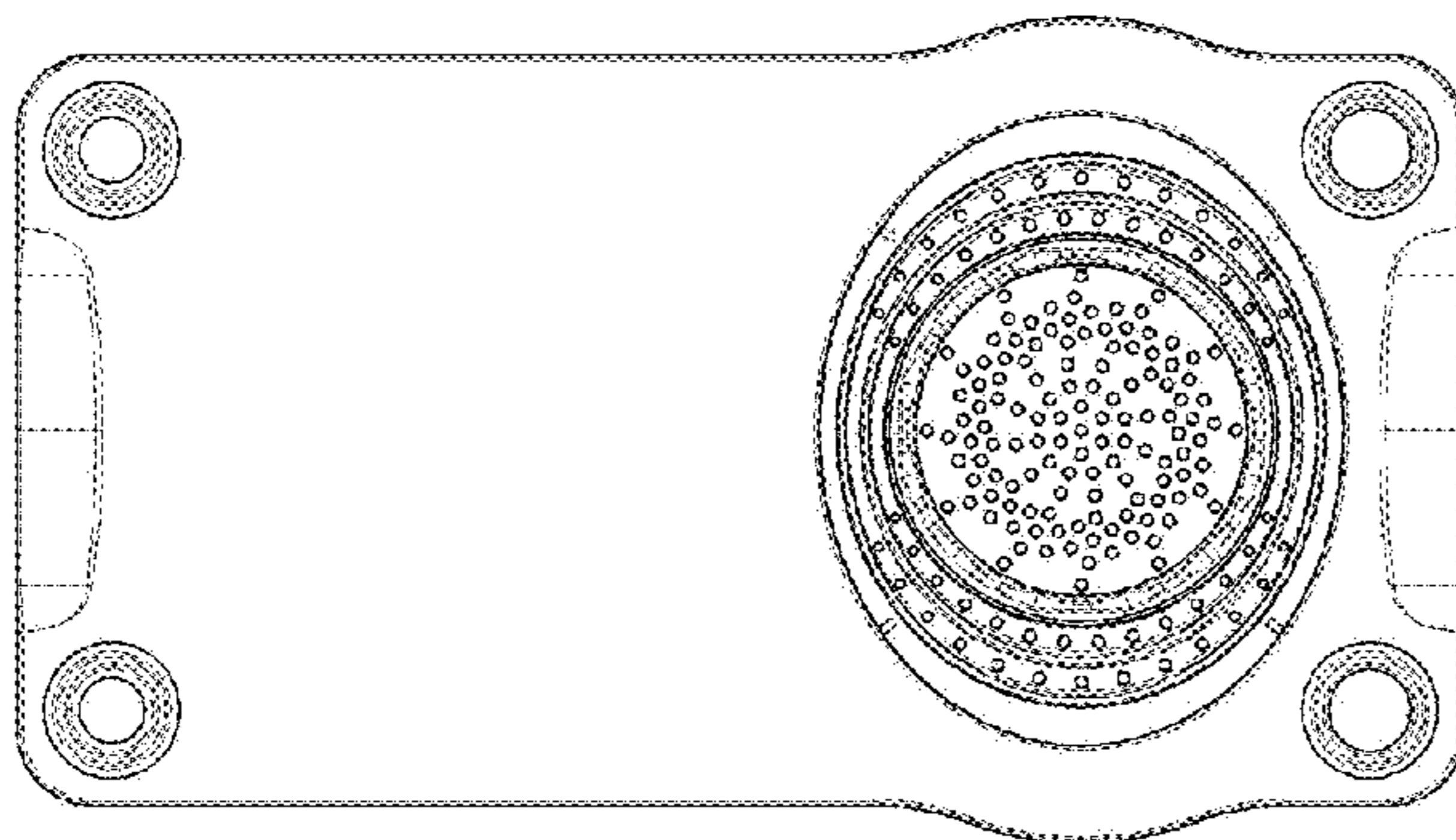


FIG. 6

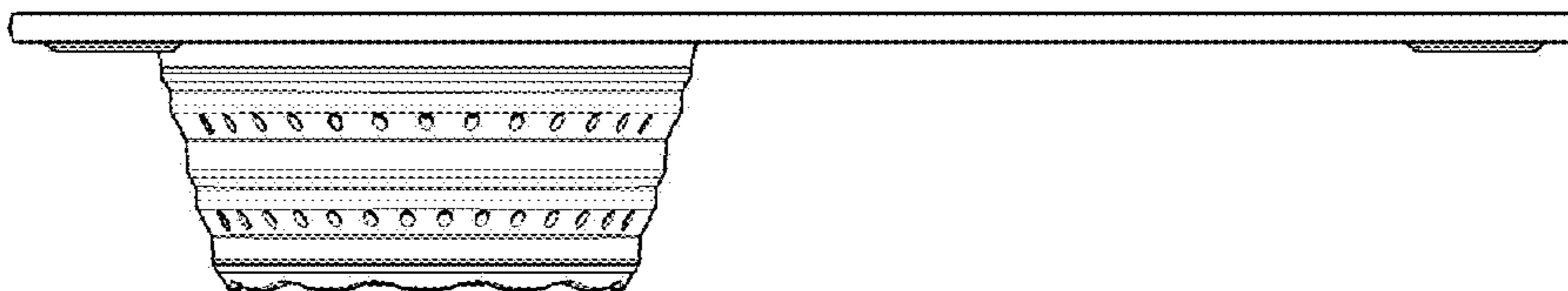


FIG. 7